

US00D840018S

(12) **United States Design Patent**
Badarello

(10) **Patent No.:** **US D840,018 S**

(45) **Date of Patent:** **** Feb. 5, 2019**

(54) **CEILING FAN MOTOR HOUSING**

D329,494 S * 9/1992 Holbrook D23/377
D346,651 S 5/1994 DiPasquale
D346,859 S 5/1994 DiPasquale

(71) Applicant: **HUNTER FAN COMPANY**,
Memphis, TN (US)

(Continued)

(72) Inventor: **Christophe Badarello**, Holly Springs,
MS (US)

OTHER PUBLICATIONS

(73) Assignee: **Hunter Fan Company**, Memphis, TN
(US)

Casablanca 55007, Ainsworth Gallery Basque Black 60" Ceiling
Fan w Light & Wall Ctrl, date first available Oct. 18, 2012,
<https://www.amazon.com/Casablanca-55007-Ainsworth-Gallery-Included/dp/B00I1L9BXM/ref=sr_1_2?ie=UTF8&qid=1502982884&sr=8-2&keywords=casablanca+ainsworth+gallery>.*

(**) Term: **15 Years**

(Continued)

(21) Appl. No.: **29/631,810**

(22) Filed: **Jan. 3, 2018**

Primary Examiner — Cathron C Brooks

Assistant Examiner — Sharon S Oum

(74) *Attorney, Agent, or Firm* — McGarry Bair PC

Related U.S. Application Data

(57) **CLAIM**

(62) Division of application No. 29/557,294, filed on Mar.
8, 2016, now Pat. No. Des. 810,914.

The ornamental design for a ceiling fan motor housing, as
shown and described.

(51) **LOC (11) Cl.** **23-03**

DESCRIPTION

(52) **U.S. Cl.**
USPC **D23/411**

(58) **Field of Classification Search**
USPC D23/370-387, 411; D26/59, 72, 85, 88,
D26/89, 130, 133, 134

CPC F04D 25/088; F21V 33/0096
See application file for complete search history.

(56) **References Cited**

U.S. PATENT DOCUMENTS

D33,430 S *	10/1900	Belden	D26/133
D47,899 S *	9/1915	Shiminsky	D26/88
D48,390 S *	1/1916	Kopp	D26/133
D49,185 S *	6/1916	Hobrecht	D26/88
D49,242 S *	6/1916	Wagner et al.	D26/72
D59,892 S *	12/1921	Hancock	D26/130
D67,205 S *	5/1925	Hancock	D26/88
D71,802 S *	1/1927	Klehr	D26/88
D120,022 S *	4/1940	Sheerer	D26/133
D225,563 S *	12/1972	Mackey	D26/88
4,640,668 A	2/1987	Yang		

FIG. 1 is a top perspective view of a ceiling fan motor housing in the environment of a ceiling fan showing my new design;

FIG. 2 is a bottom perspective view of the ceiling fan motor housing of FIG. 1;

FIG. 3 is a front side view of the ceiling fan motor housing of FIG. 1, with the rear side view being a mirror image thereof;

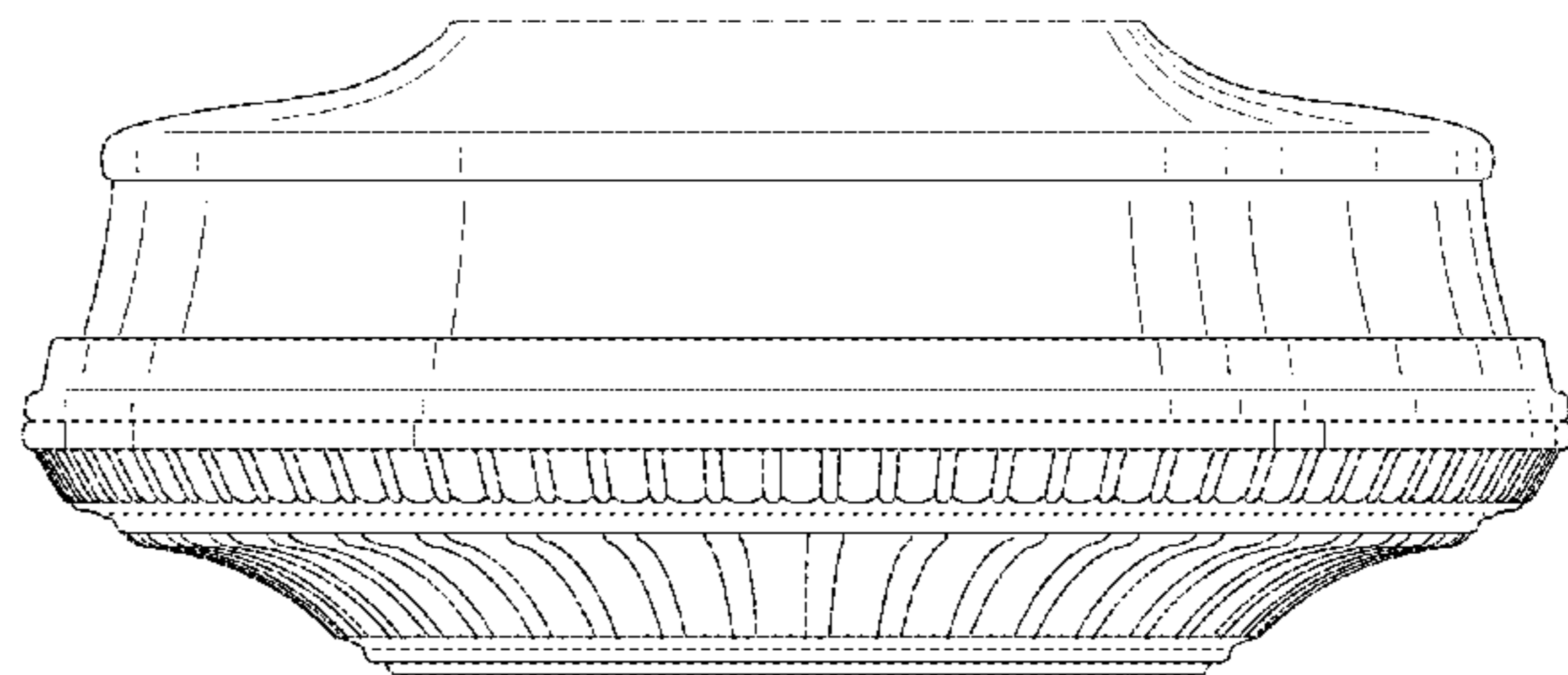
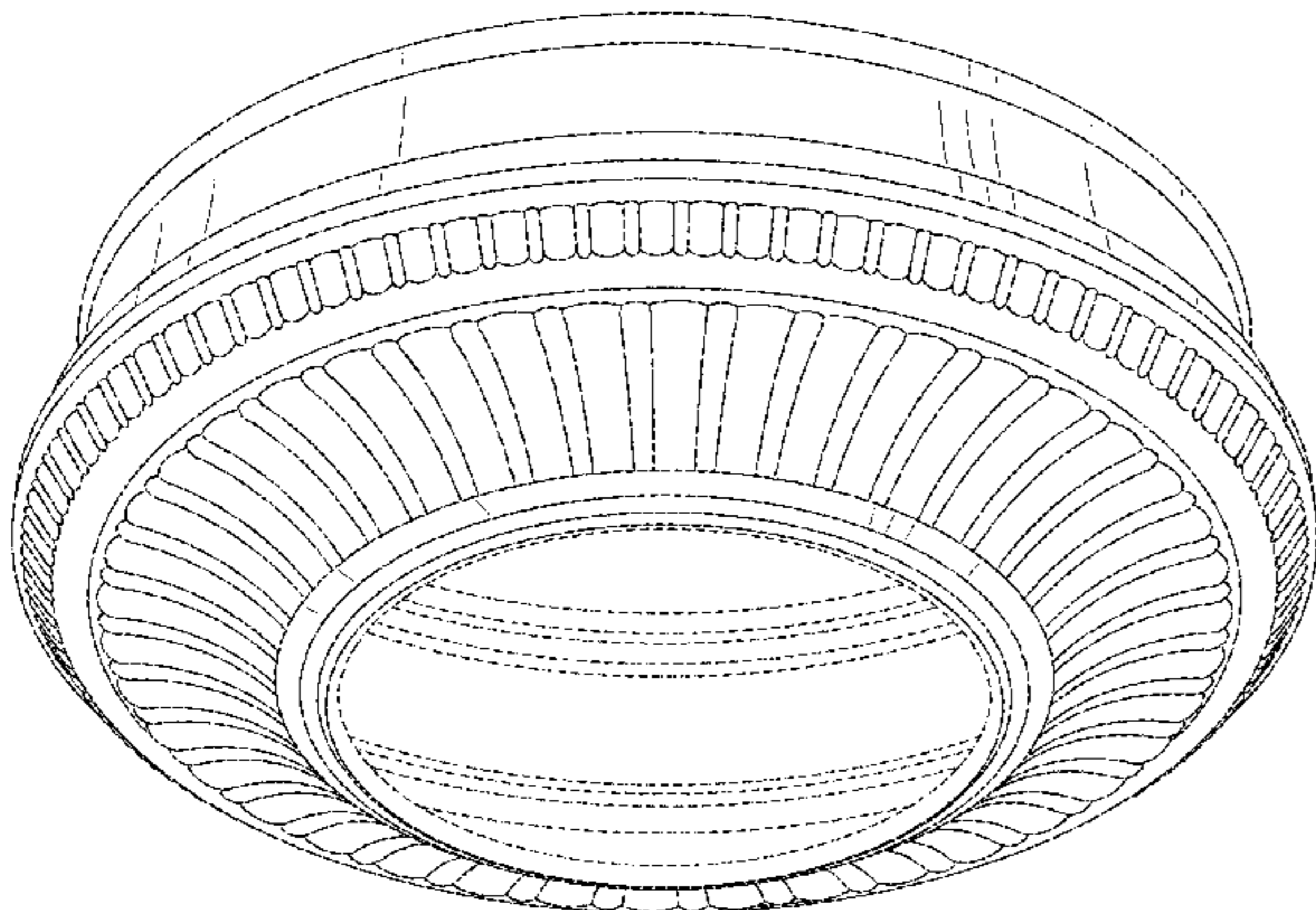
FIG. 4 is a right side view of the ceiling fan motor housing of FIG. 1, with the left side view being a mirror image thereof;

FIG. 5 is a top view of the ceiling fan motor housing of FIG. 1; and,

FIG. 6 is a bottom view of the ceiling fan motor housing of FIG. 1.

Portions of the ceiling fan motor housing and the ceiling fan environment shown in broken lines form no part of the claimed design.

1 Claim, 5 Drawing Sheets



(56)

References Cited

U.S. PATENT DOCUMENTS

D366,111 S 1/1996 DiPasquale
 D368,321 S * 3/1996 Dolan D26/133
 D396,532 S * 7/1998 Tsuji D23/385
 D409,302 S * 5/1999 Zuege D23/377
 D422,352 S * 4/2000 Gee, II D23/377
 D435,901 S * 1/2001 Tsuji D23/411
 D450,831 S 11/2001 Hsieh
 D484,233 S * 12/2003 Bucher D23/377
 D485,344 S * 1/2004 Tai D23/377
 D504,504 S 4/2005 Thomas, Jr.
 D508,737 S * 8/2005 Pickett D23/411
 D517,189 S * 3/2006 Hidalgo D23/377
 D522,120 S 5/2006 Hidalgo
 D531,297 S * 10/2006 Ertze D23/377
 D539,894 S * 4/2007 Bucher D23/377
 D543,303 S 5/2007 Shurtleff
 D557,400 S * 12/2007 Curtin D23/411
 D557,790 S * 12/2007 Badarello D23/411
 D557,847 S * 12/2007 Badarello D26/59
 D567,350 S * 4/2008 Hidalgo D23/377
 D567,428 S * 4/2008 Badarello D26/128
 D573,242 S 7/2008 Pan
 D573,243 S * 7/2008 Pan D23/377
 D598,091 S 8/2009 Orozco
 D603,499 S * 11/2009 Curtin D23/411
 D626,211 S * 10/2010 Wang D23/411
 D627,046 S 11/2010 Wang
 D627,871 S 11/2010 Shurtleff
 D628,286 S 11/2010 Yang
 D643,105 S 8/2011 Orozco
 D654,615 S * 2/2012 Chen D26/89
 D671,202 S 11/2012 Searle
 D671,631 S 11/2012 Searle
 D690,410 S * 9/2013 Passauer, III D23/411
 D706,917 S 6/2014 Cohen
 D707,807 S 6/2014 Pan
 D715,919 S 10/2014 Pan
 D743,526 S 11/2015 Shurtleff
 D778,421 S * 2/2017 Hidalgo D23/377

D778,426 S * 2/2017 Hidalgo D23/411
 D804,632 S * 12/2017 Holmes D23/377
 D808,511 S * 1/2018 Hidalgo D23/377
 D810,914 S * 2/2018 Badarello D23/377
 D810,921 S * 2/2018 McRoberts D23/377
 D818,571 S * 5/2018 Hidalgo D23/377
 2008/0193291 A1 * 8/2008 Ware F04D 25/088
 416/5
 2012/0287604 A1 * 11/2012 Lan F04D 25/088
 362/96
 2016/0111816 A1 * 4/2016 Walker F04D 25/0693
 417/423.7

OTHER PUBLICATIONS

Hunter Fan Company 54091 Matheston 52-Inch Cottage White Ceiling Fan with Five Gray Pine Blades and a Light Kit, date first available Jul. 31, 2013, <https://www.amazon.com/Hunter-Fan-Company-54091-Matheston/dp/B00E96M2IE/ref=sr_1_1?s=hi&ie=UTF8&qid=1502983257&sr=1-1&keywords=hunter+fan+matheston>.*
<http://www.kingoffans.com/#/products/ceilingFans>, Item Specification for North Lake Ceiling Fan at kingoffans.com, SKU#1000022302, Model #51418, accessed Mar. 8, 2016.
<http://www.craftmade.com/Craftmade-CN52LB5-Legacy-Brass-Ceiling-Fan.HTM>, Item Specification for Craftmade-CN52LB5-Copeland 52" Ceiling Fan Blades Included in Legacy Brass with Amber Frost Glass at craftmade.com, accessed Mar. 8, 2016.
<http://www.homedepot.com/catalog/pdfImages/70/70d6cb82-63a2-4c36-a6b9-5f0602a852fa.pdf>, Use and Care Guide for Hampton Bay Rothley 52-Inch Ceiling Fan at homedepot.com, accessed Mar. 8, 2016.
<http://www.hunterfan.com/Ceiling-Fans/Ballantyne>, Item Specification for Ballantyne-52" Ceiling Fan 28670 at hunterfan.com, accessed Mar. 8, 2016.
<http://www.quoruminternational.com/index.cfm/app/productDetail?product=2389-9144>, Item Specification for Toasted Sienna Ligth Kit 2389-9144 at quoruminternational.com, accessed Mar. 8, 2016.

* cited by examiner

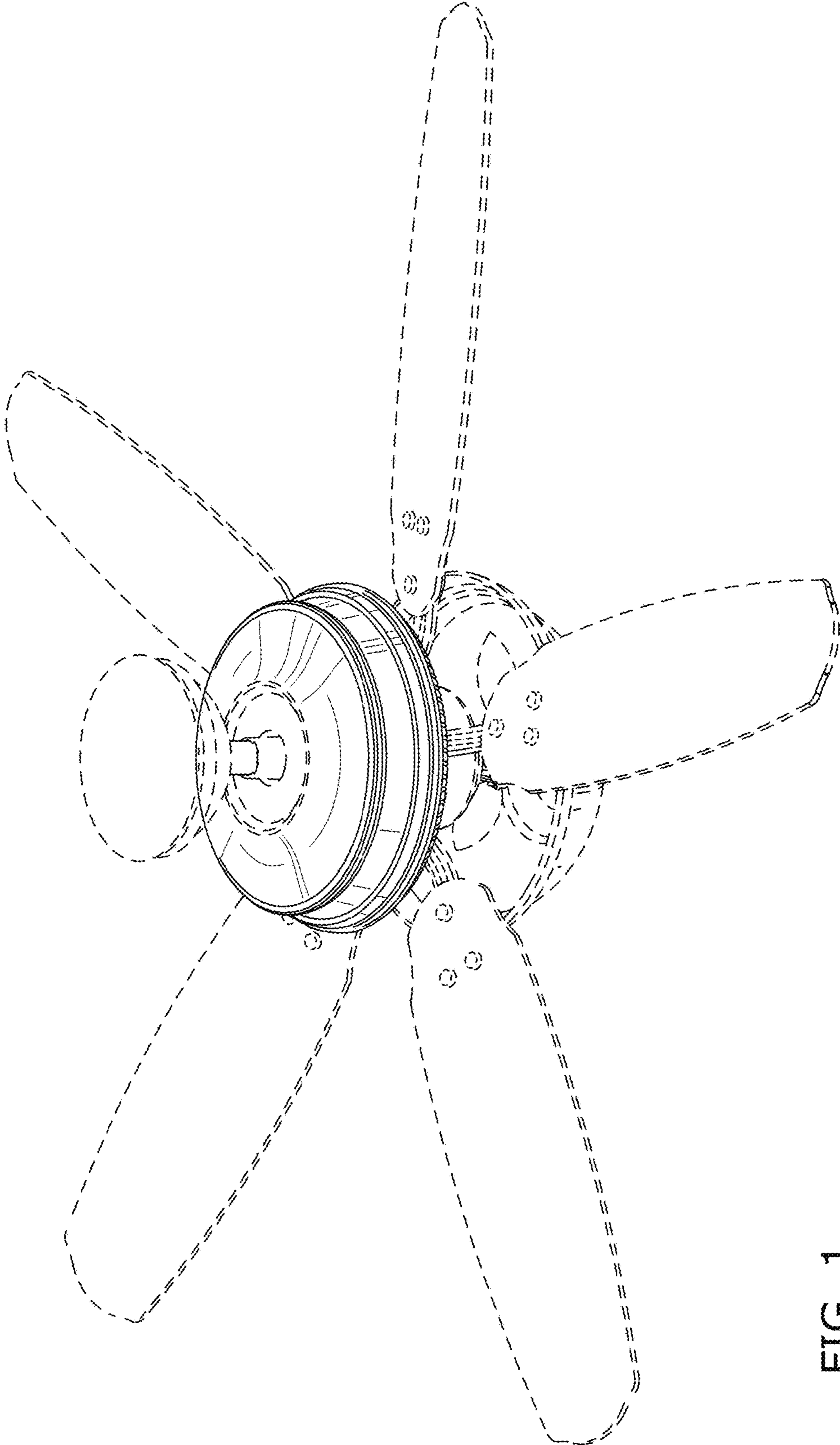


FIG. 1

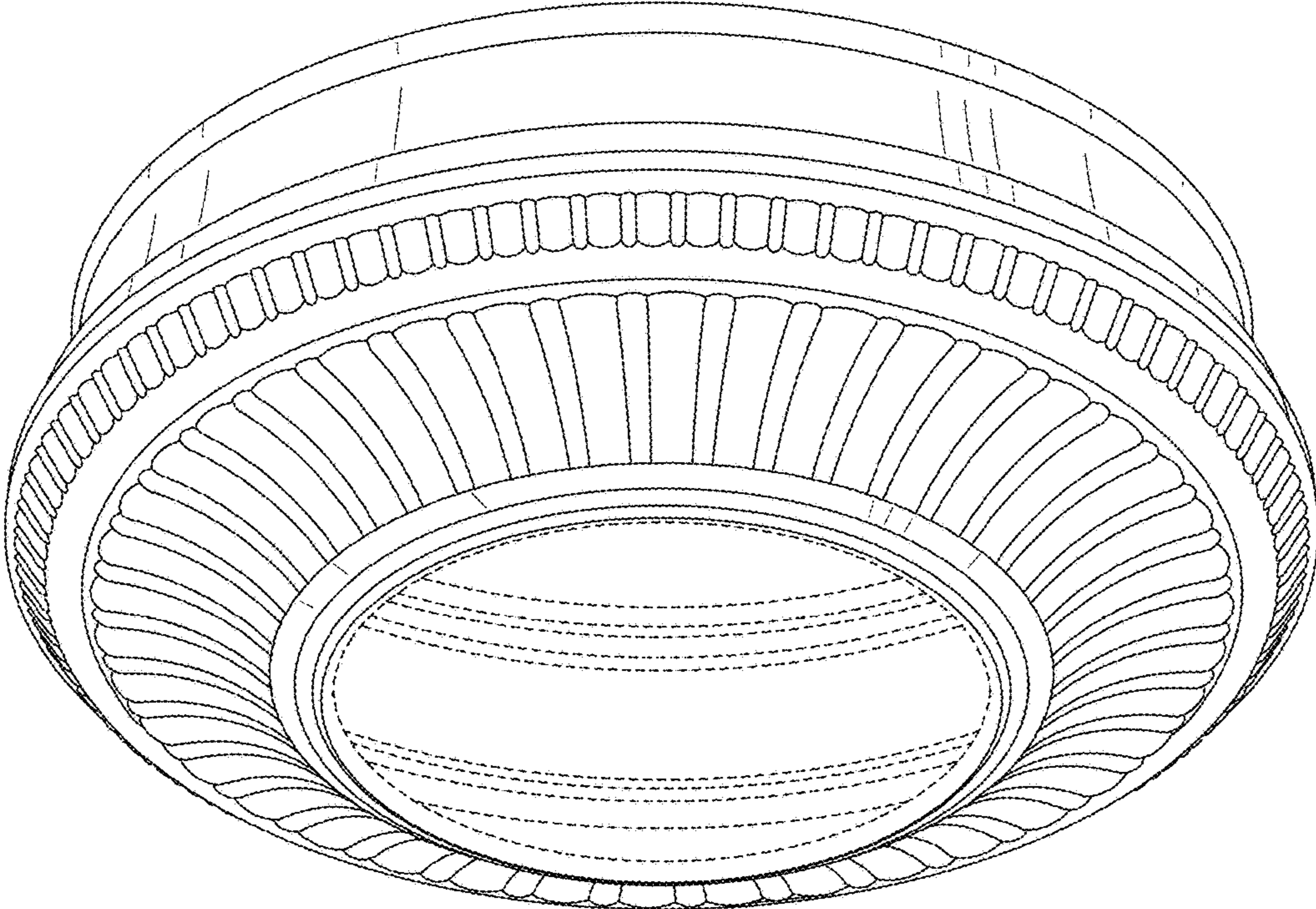


FIG. 2

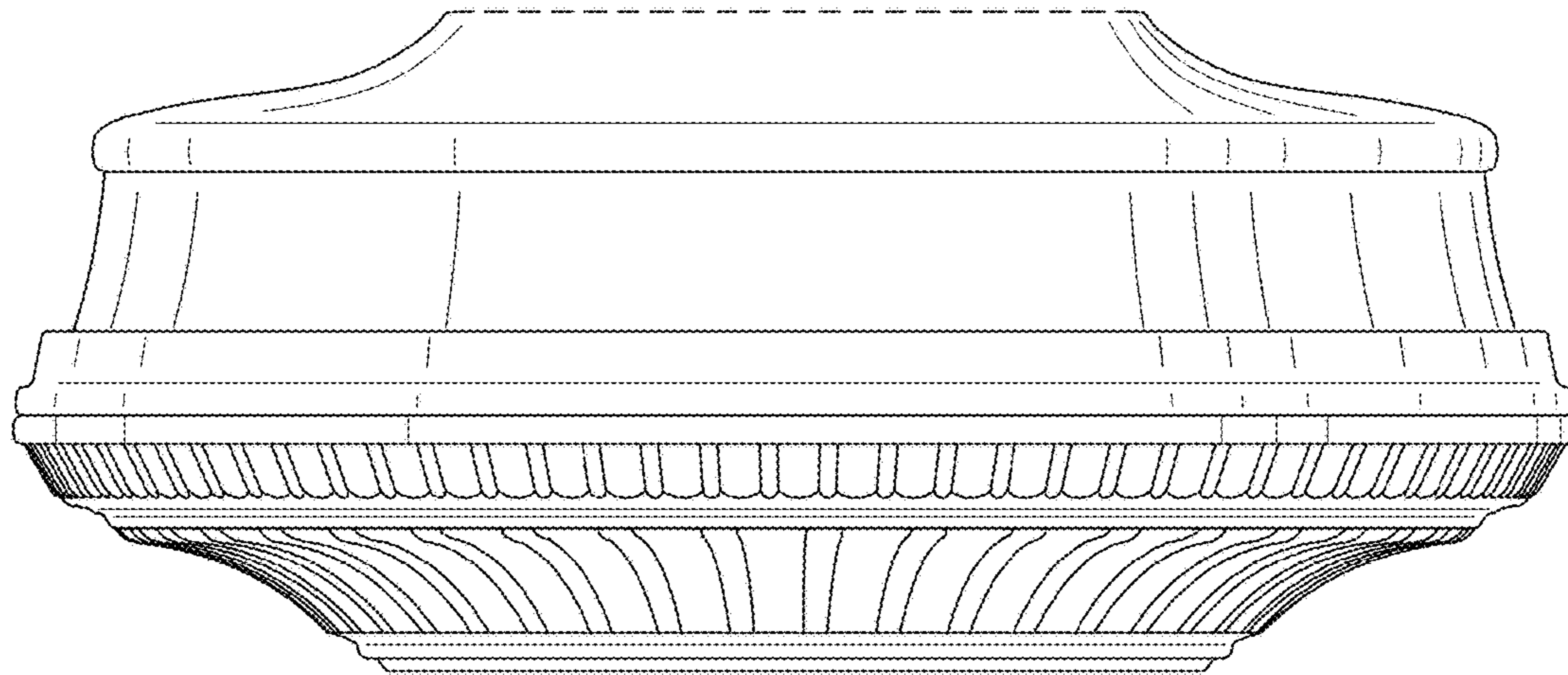


FIG. 3

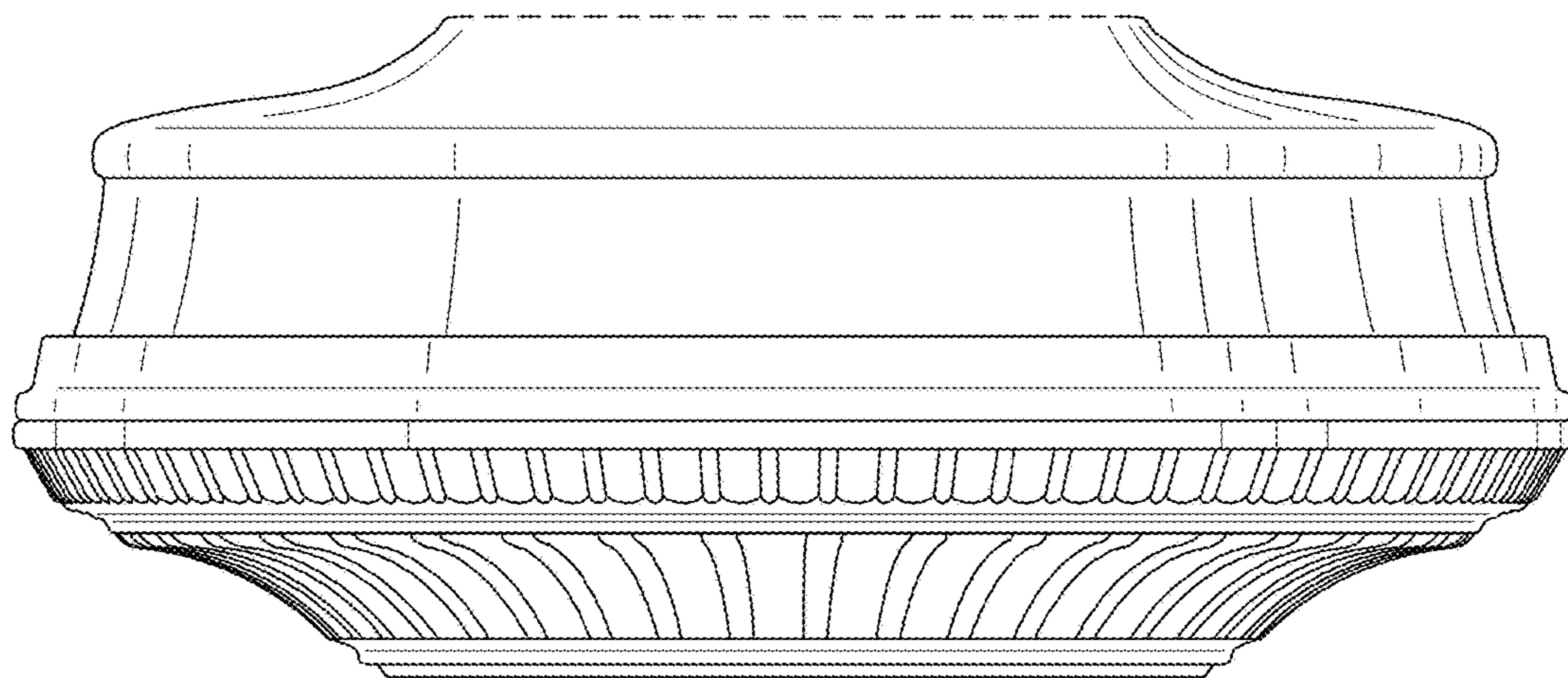


FIG. 4

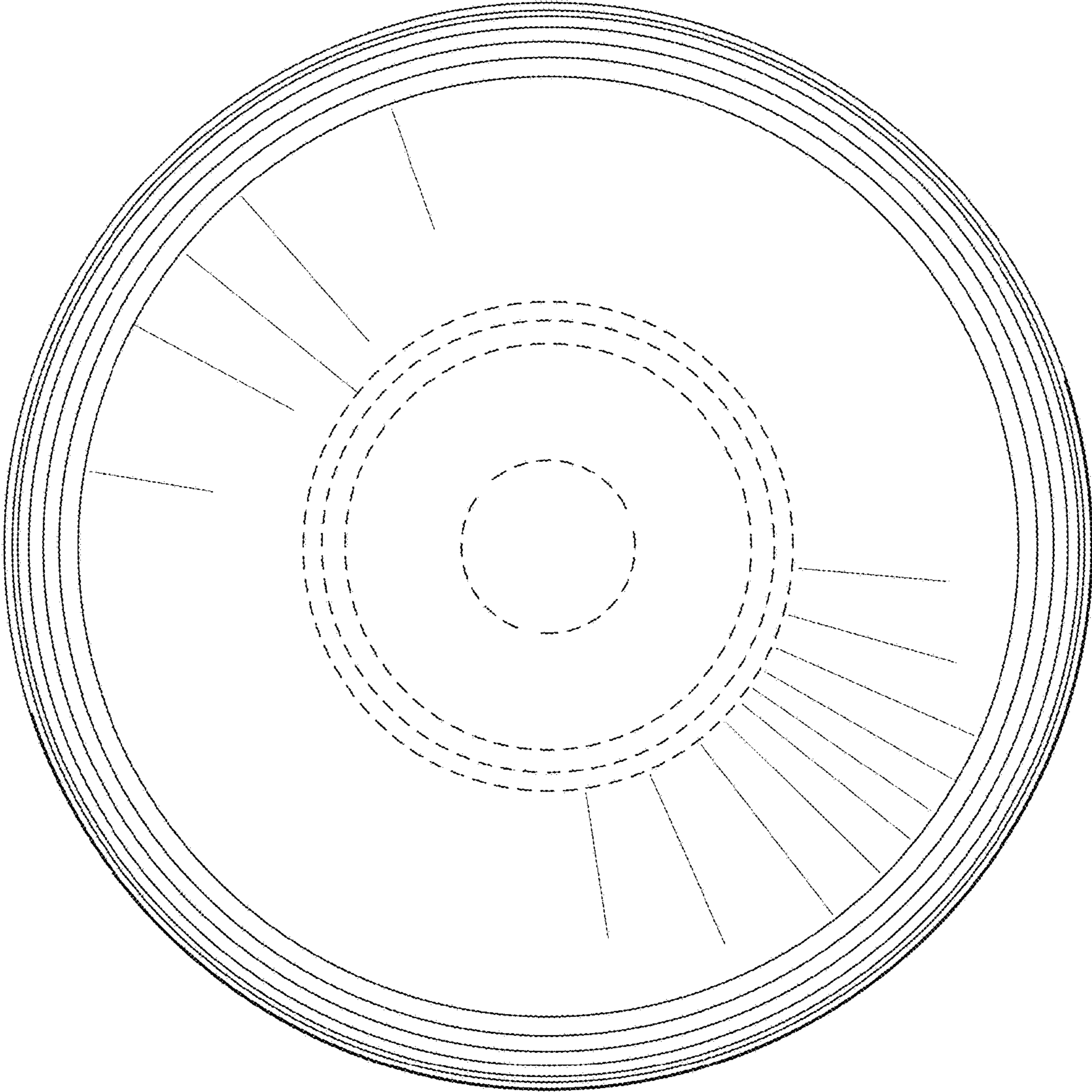


FIG. 5

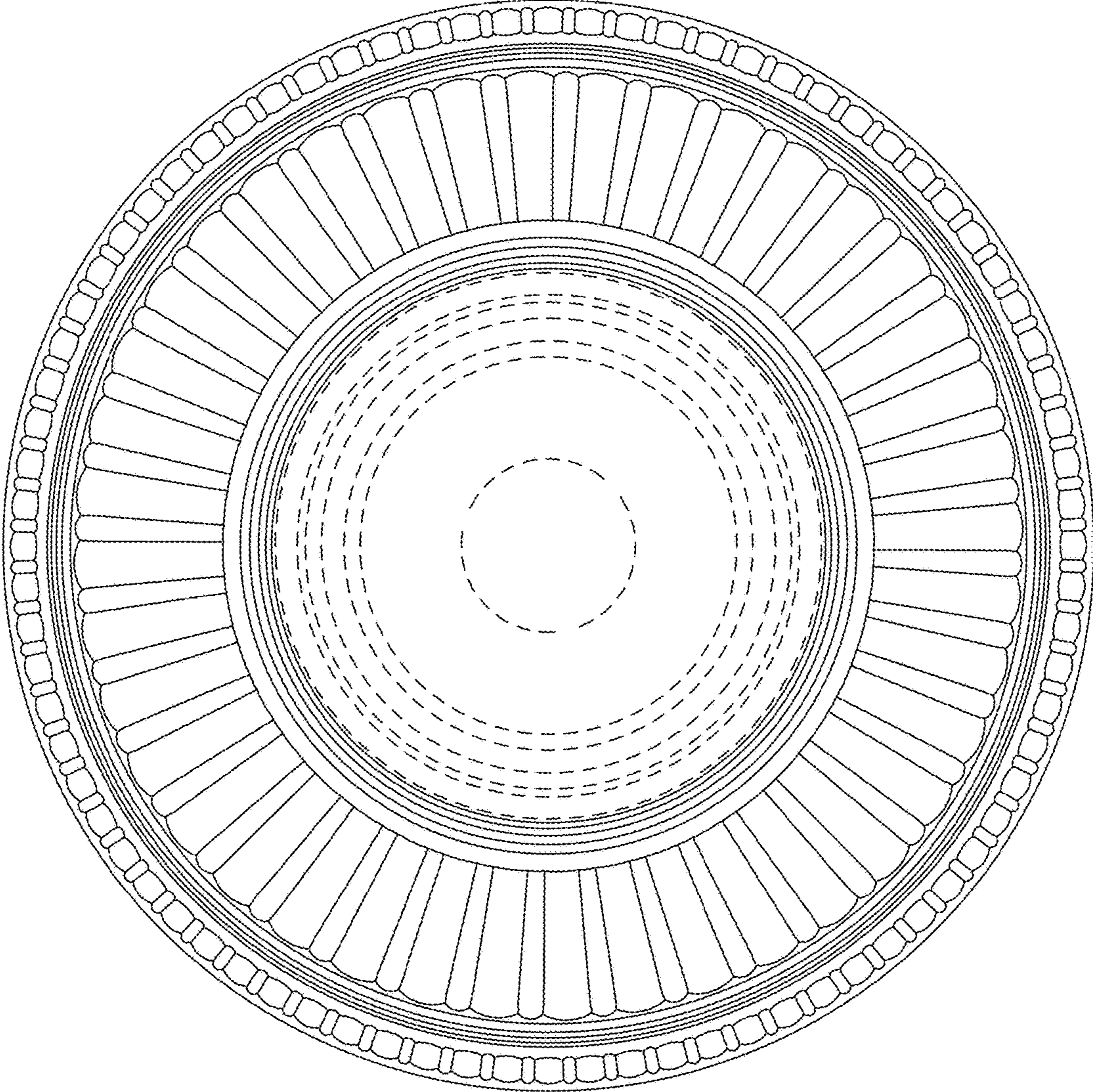


FIG. 6