

US00D840016S

(12) **United States Design Patent** (10) **Patent No.:** **US D840,016 S**  
**Guthrie** (45) **Date of Patent:** **\*\* Feb. 5, 2019**

- (54) **CEILING FAN MOTOR HOUSING**
- (71) Applicant: **HUNTER FAN COMPANY**,  
Memphis, TN (US)
- (72) Inventor: **Benjamin Scotti Guthrie**,  
Germantown, TN (US)
- (73) Assignee: **Hunter Fan Company**, Memphis, TN  
(US)
- (\*\*) Term: **15 Years**
- (21) Appl. No.: **29/623,274**
- (22) Filed: **Oct. 24, 2017**

**Related U.S. Application Data**

- (62) Division of application No. 29/557,327, filed on Mar. 8, 2016, now Pat. No. Des. 809,118.
- (51) **LOC (11) Cl.** ..... **23-03**
- (52) **U.S. Cl.**  
USPC ..... **D23/411**
- (58) **Field of Classification Search**  
USPC ..... D23/335-337, 355, 370-385, 411-414,  
D23/259-260; D26/59, 67, 72, 80-89,  
D26/92, 104-105, 110, 113, 118-119,  
D26/128-137; D9/500-505; D8/29;  
D16/203  
CPC .... F04D 25/088; F21V 33/0096; F21V 21/03;  
F21V 17/002; F21V 23/007; F21V 23/04;  
F21V 23/0485; F21V 15/01; F21V  
19/006; F21V 19/04; F21V 21/02; F21V  
23/002; F21V 23/005; F21V 33/0052;  
F21V 7/22  
See application file for complete search history.

(56) **References Cited**

**U.S. PATENT DOCUMENTS**

- 3,243,500 A \* 3/1966 Rabinowitz ..... H01R 4/58  
174/84 R
- D252,833 S \* 9/1979 Bowser ..... D26/85

- 4,518,314 A 5/1985 Schultz
  - D284,304 S 6/1986 Harber
  - D292,313 S \* 10/1987 Kawai ..... D23/377
  - D297,973 S \* 10/1988 Everett, Jr. .... D23/377
  - D297,974 S \* 10/1988 Sonneman ..... D23/377
  - 4,929,189 A \* 5/1990 Sekiguchi ..... H01R 9/032  
439/352
  - D314,618 S 2/1991 Yen
  - D324,924 S \* 3/1992 Bengochea ..... D26/77
- (Continued)

**OTHER PUBLICATIONS**

Orion-Contemporary Series, date first captured Nov. 29, 2014, CENS.com, site visited Aug. 30, 2017, Copyright © 1995-2017, Available from Internet, <[https://web.archive.org/web/20141129140116/http://cens.com/cens/html/en/product/product\\_main\\_77128.html](https://web.archive.org/web/20141129140116/http://cens.com/cens/html/en/product/product_main_77128.html)>.\*

(Continued)

*Primary Examiner* — Cathron C Brooks  
*Assistant Examiner* — Sharon S Oum  
(74) *Attorney, Agent, or Firm* — McGarry Bair PC

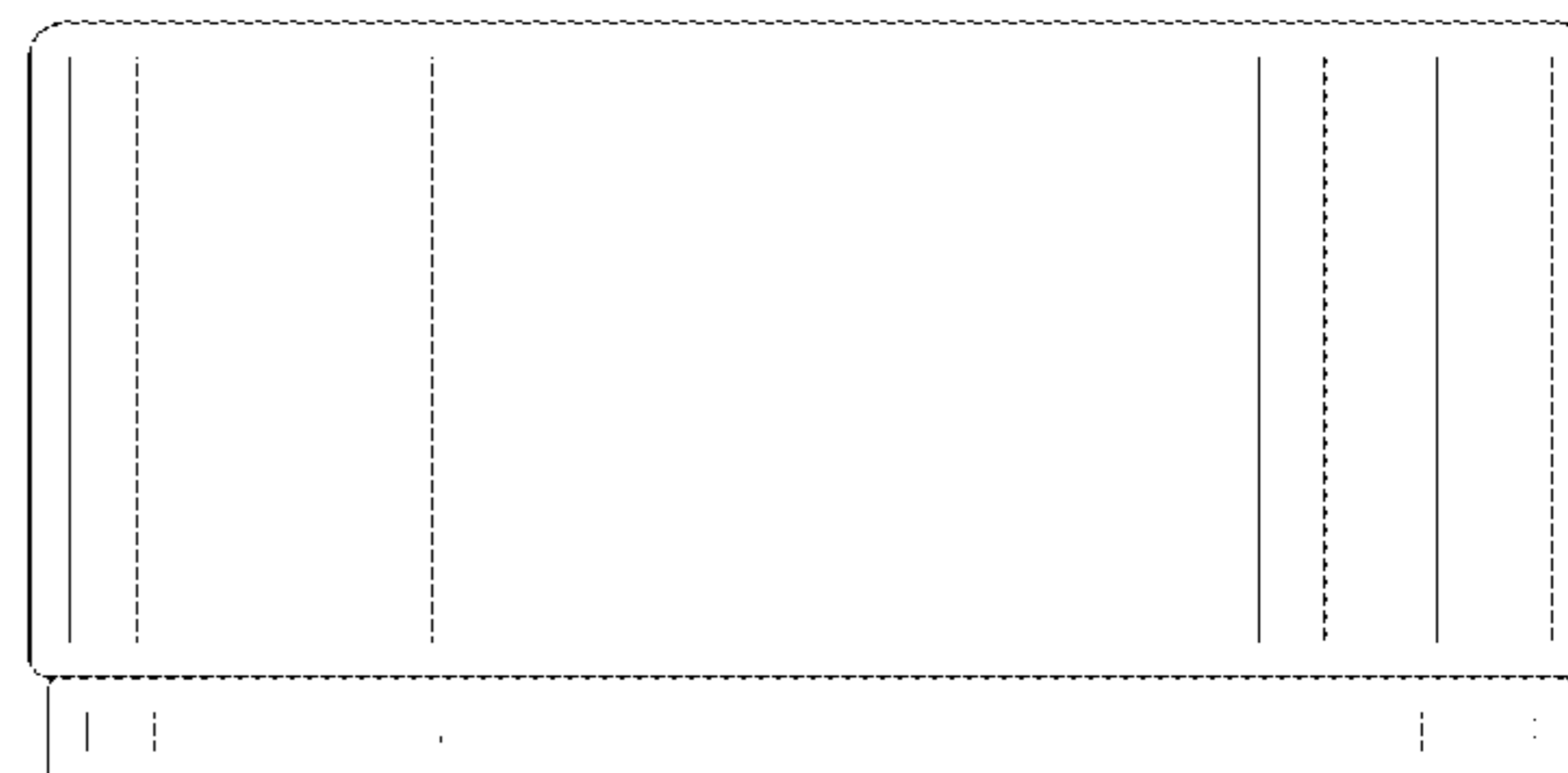
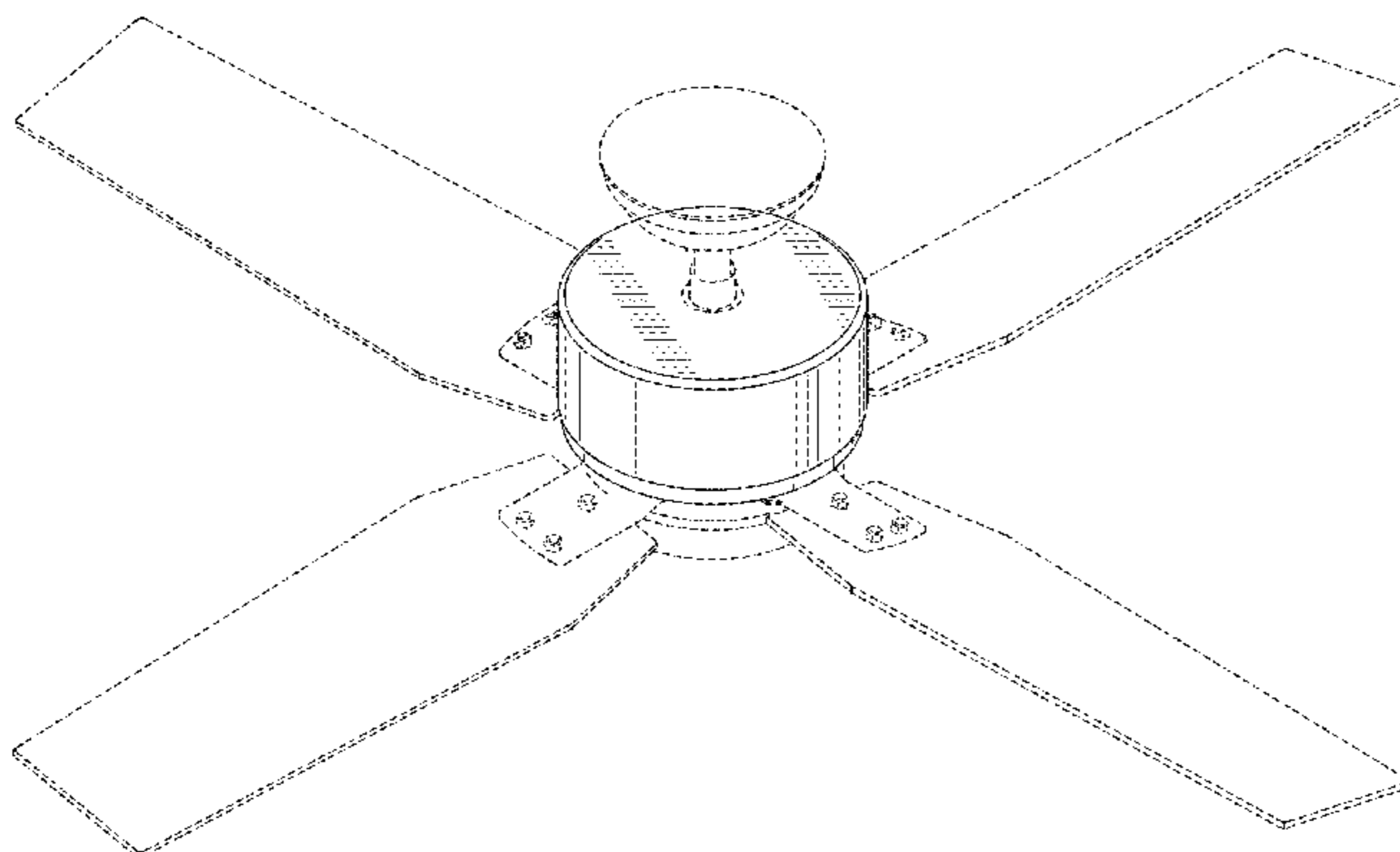
(57) **CLAIM**

The ornamental design for a ceiling fan motor housing, as shown and described.

**DESCRIPTION**

FIG. 1 is a top perspective view of a ceiling fan motor housing showing my new design, shown in the environment of a ceiling fan;  
FIG. 2 is a bottom perspective view of the ceiling fan motor housing of FIG. 1, but shown without the ceiling fan environment;  
FIG. 3 is a side view thereof;  
FIG. 4 is a top view thereof; and,  
FIG. 5 is a bottom view thereof.  
The broken lines illustrate a ceiling fan, and portions of the ceiling fan motor housing. None of the broken lines form part of the claimed design.

**1 Claim, 5 Drawing Sheets**





(56)

## References Cited

## U.S. PATENT DOCUMENTS

D329,087	S	9/1992	Markwardt	
D333,867	S	3/1993	Markwardt	
D344,129	S	2/1994	Markwardt	
D344,794	S *	3/1994	Galler	D23/377
D368,410	S *	4/1996	Shiner	D7/608
D376,845	S *	12/1996	Chen	D23/377
5,609,713	A *	3/1997	Kime	B29C 65/7802 138/109
D379,851	S *	6/1997	Mathison	D23/260
5,688,294	A *	11/1997	Mizuno	H01M 2/0413 29/623.2
D420,733	S *	2/2000	Chen	D23/377
6,213,717	B1 *	4/2001	Bucher	F04D 25/088 415/119
D448,841	S *	10/2001	Campbell	D23/411
D451,189	S *	11/2001	Liu	D23/377
D476,769	S *	7/2003	Pilkington	D26/51
D485,348	S	1/2004	Stauffer	
D495,569	S *	9/2004	Halstead	D8/25
D530,414	S *	10/2006	Hoshino	D23/377
D536,085	S *	1/2007	Clymer	D23/377
7,210,910	B1	5/2007	Parker et al.	
D547,436	S *	7/2007	Shurtleff	D23/411
D575,444	S *	8/2008	Lissoni	D26/137
D599,947	S *	9/2009	Sabernig	D26/88
D603,552	S *	11/2009	Kampe	D26/88
D603,954	S *	11/2009	Curtin	D23/411
D603,955	S *	11/2009	Patton	D23/411
D609,324	S *	2/2010	Lee	D23/377
D609,799	S *	2/2010	Lee	D23/377
D612,093	S *	3/2010	Espiau	D26/105
D617,426	S *	6/2010	Zeyfang	D23/260
D627,053	S *	11/2010	Pan	D23/411
D627,869	S *	11/2010	Pan	D23/377
D632,381	S *	2/2011	Davenport	D23/377
D632,384	S *	2/2011	Pan	D23/411
D632,780	S *	2/2011	Pan	D23/411
D654,997	S *	2/2012	Spaggiari	D23/370
D675,720	S *	2/2013	Martin Conillas	D23/370
D678,989	S *	3/2013	Zerrer	D23/259
D698,914	S *	2/2014	Love	D23/377
D699,822	S *	2/2014	Beaudoin	D23/259
D705,970	S *	5/2014	Ertze	D26/59
D706,407	S	6/2014	Wang	
D715,917	S *	10/2014	Hidalgo	D23/377
D728,842	S *	5/2015	Arola Ferrer	D26/83
D737,497	S *	8/2015	Burgess	D26/113
D744,082	S *	11/2015	Wang	D23/411
D744,634	S *	12/2015	Wang	D23/411
D745,949	S *	12/2015	Meyer	D23/259
D749,702	S *	2/2016	Rohn	D23/259
D767,112	S *	9/2016	Williams	D23/386
D769,506	S *	10/2016	Orozco	D26/82
D771,794	S *	11/2016	Wang	D23/411
D771,795	S *	11/2016	Wang	D23/411
D771,796	S *	11/2016	Wang	D23/377
D773,634	S	12/2016	Wang	
D778,422	S	2/2017	Gajewski	
D795,412	S *	8/2017	Schulzman	D23/377
D799,660	S *	10/2017	Jones	D23/377
D799,668	S *	10/2017	Wang	D23/377
D801,510	S *	10/2017	O'Connell	D23/377
D801,574	S *	10/2017	Amato	D26/118
D804,646	S *	12/2017	Schulzman	D23/411
D805,237	S *	12/2017	Amato	D26/88
D809,118	S *	1/2018	Guthrie	D23/377
2005/0141997	A1	6/2005	Rast	
2008/0107529	A1 *	5/2008	Friedman	F04D 25/088 416/210 R

2013/0136632	A1 *	5/2013	Stocks	F04D 25/088 417/410.1
2014/0044548	A1 *	2/2014	Wang	F04D 29/34 416/214 R
2015/0369252	A1	12/2015	Janecek et al.	
2016/0211728	A1 *	7/2016	Yin	H02K 21/16

## OTHER PUBLICATIONS

Bega wall floodlight Free 3D model, date published Jul. 18, 2013, site visited Apr. 30, 2018, Copyright@ 2011-2018, Available from Internet, <<https://www.cgtrader.com/free-3d-models/furniture/lamp/bega-wall-floodlight>>.\*

Cylinder & Slide . . . , first reviewed in 2010, site visited Apr. 30, 2018, Copyright © 2018, Available from Internet, <<https://www.midwayusa.com/product/100565665/cylinder-and-slide-1-piece-full-length-recoil-spring-guide-rod-with-recoil-spring-plug-1911-commander-4-1-2-barrel-stainless-steel#>>.\*

<http://www.homedepot.com/p/Hampton-Bay-Alida-52-in-Oil-Rubbed-Bronze-Ceiling-Fan-YG222-ORB/202519632>, Alida 52 in. Oil-Rubbed Bronze Ceiling Fan, YG222-ORB, accessed Mar. 8, 2016.

<http://www.sportsmansguide.com/product/index/john-marshall-buckhead-series-hardwoods-camo-ceiling-fan-with-gunmetal-buckheads-on-blades-and-a-4-light-marble-alabaster-light-kit?a=273375>, John Marshall Buckhead Series Hardwoods Camo Ceiling Fan with Gunmetal Buckheads on Blades and a 4-Light Marble Alabaster Light Kit, WX2-109428, accessed Mar. 8, 2016.

<http://www.montecarlofans.com/44073/60in-Empire---Brushed-Steel-8EER60BSD.html>, 60" Empire—Brushed Steel, 8EER60BSD, accessed Mar. 8, 2016.

<http://www.homedepot.com/p/Hampton-Bay-Ellijay-52-in-Natural-Iron-Indoor-Outdoor-Ceiling-Fan-YG205-NI/202549824>, Ellijay 52 in. Natural Iron Indoor/Outdoor Ceiling Fan, YG205-NI, accessed Mar. 8, 2016.

<http://www.montecarlofans.com/38129/52-Vision---Oil-Rubbed-Bronze-3VNR52OZD.html>, 52" Vision—Oil Rubbed Bronze, 3VNR52OZD, accessed Mar. 8, 2016.

<http://www.hunterfan.com/Ceiling-Fans/Windemere?ModelNumber=59039>, Windemere—54" Ceiling Fan, 59039, accessed Mar. 8, 2016.

<http://www.fanimation.com/products/index.php/fans/cancun-wet.html>, Cancun Wet, FP8012, accessed Mar. 8, 2016.

<http://www.craftmade.com/Craftmade-VE58FB3-Flat-Black-Ceiling-Fan.HTM>, <http://www.craftmade.com/Craftmade-VE58FB3-Flat-Black-Ceiling-Fan.HTM>, VE58FB3, accessed Mar. 8, 2016.

<http://www.hunterpacific.com.au/typhoonM2.php>, Typhoon Mach 2, accessed Mar. 8, 2016.

<http://www.kichler.com/products/product/56-inch-industrial-fan-sbk-337015sbk.aspx>, Industrial Collection 56 Inch Industrial Fan SBK, 337015SBK, accessed Mar. 8, 2016.

<http://www.quoruminternational.com/index.cfm/app/productDetail?product=81524-8641>, 81524-864, accessed Mar. 3, 2016.

<http://www.quoruminternational.com/index.cfm/app/productDetail?product=64525-86>, 64525-86, accessed Mar. 8, 2016.

<http://www.bargainoutfitters.com/net/cb/cb.aspx?a=231677>, Buckhead™ Series Mossy Oak® Break—Up® Camo Ceiling Fan with Light Kit, BOFS-109431, accessed Mar. 8, 2016.

[http://www.efaucets.com/detail.asp?Product\\_ID=CRA-K1050&ca=gpsl&CAWELAID=330001430000072175&CAGPSPN=pla&gclid=CNHG6teencsCFQiJaQod8\\_IGEg](http://www.efaucets.com/detail.asp?Product_ID=CRA-K1050&ca=gpsl&CAWELAID=330001430000072175&CAGPSPN=pla&gclid=CNHG6teencsCFQiJaQod8_IGEg), Craftmade CRA-K10501 Universal 52" Ceiling Fan with Plus Series Damp Rated Mossy Oak Break-Up Infinity Blades, CRA-K10501, accessed Mar. 8, 2016.

<http://www.amazon.com/Fan-Blade-Designs-KE-XXLG-93OR-Ceiling/dp/B00XBMD2TA>, Fan Blade Designs KE-XXLG-93OR Ceiling Fan Blade Covers, True Timber, KE-XXLG-93OR, accessed Mar. 8, 2016.

\* cited by examiner

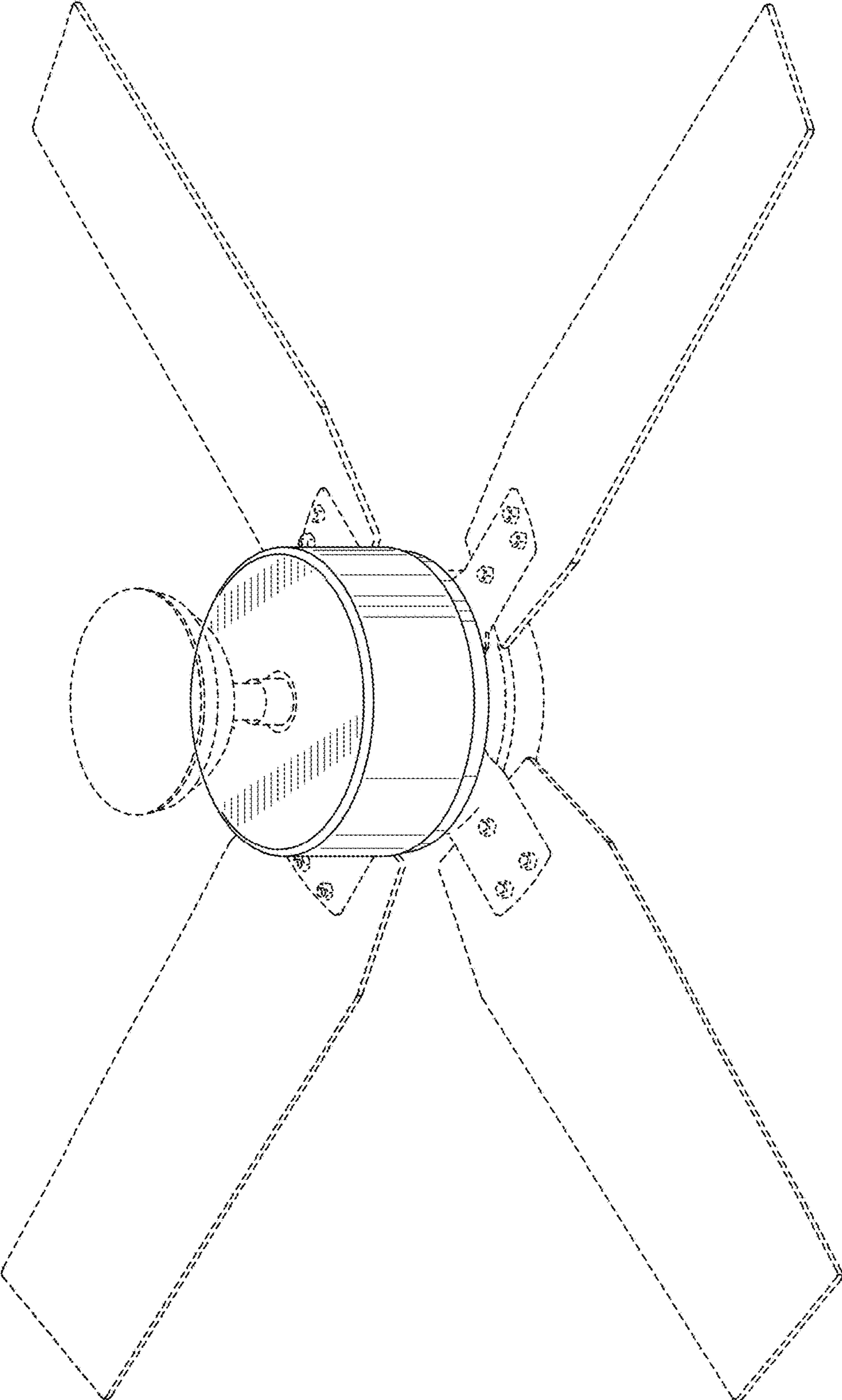


FIG.1

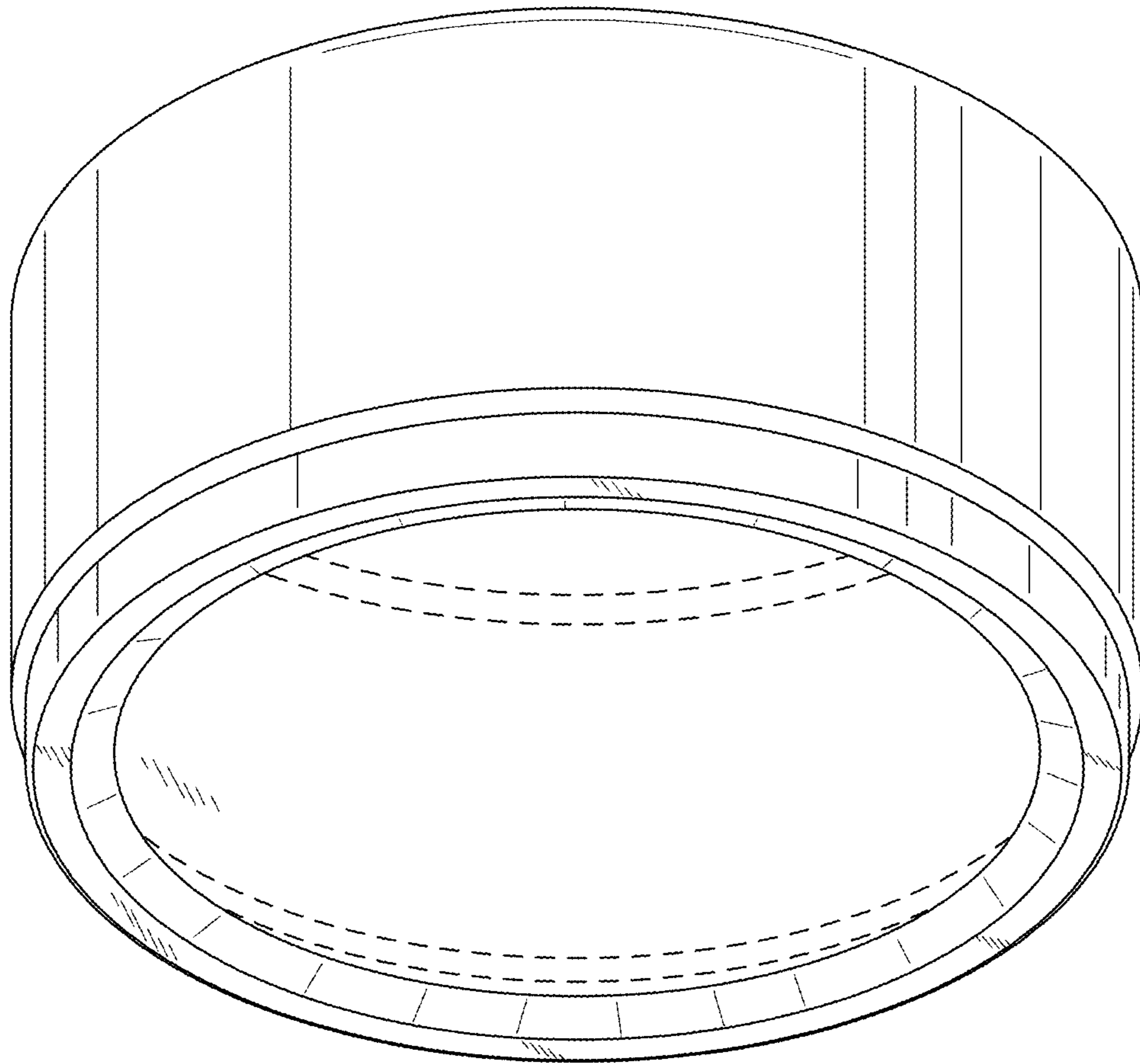


FIG.2





FIG. 3

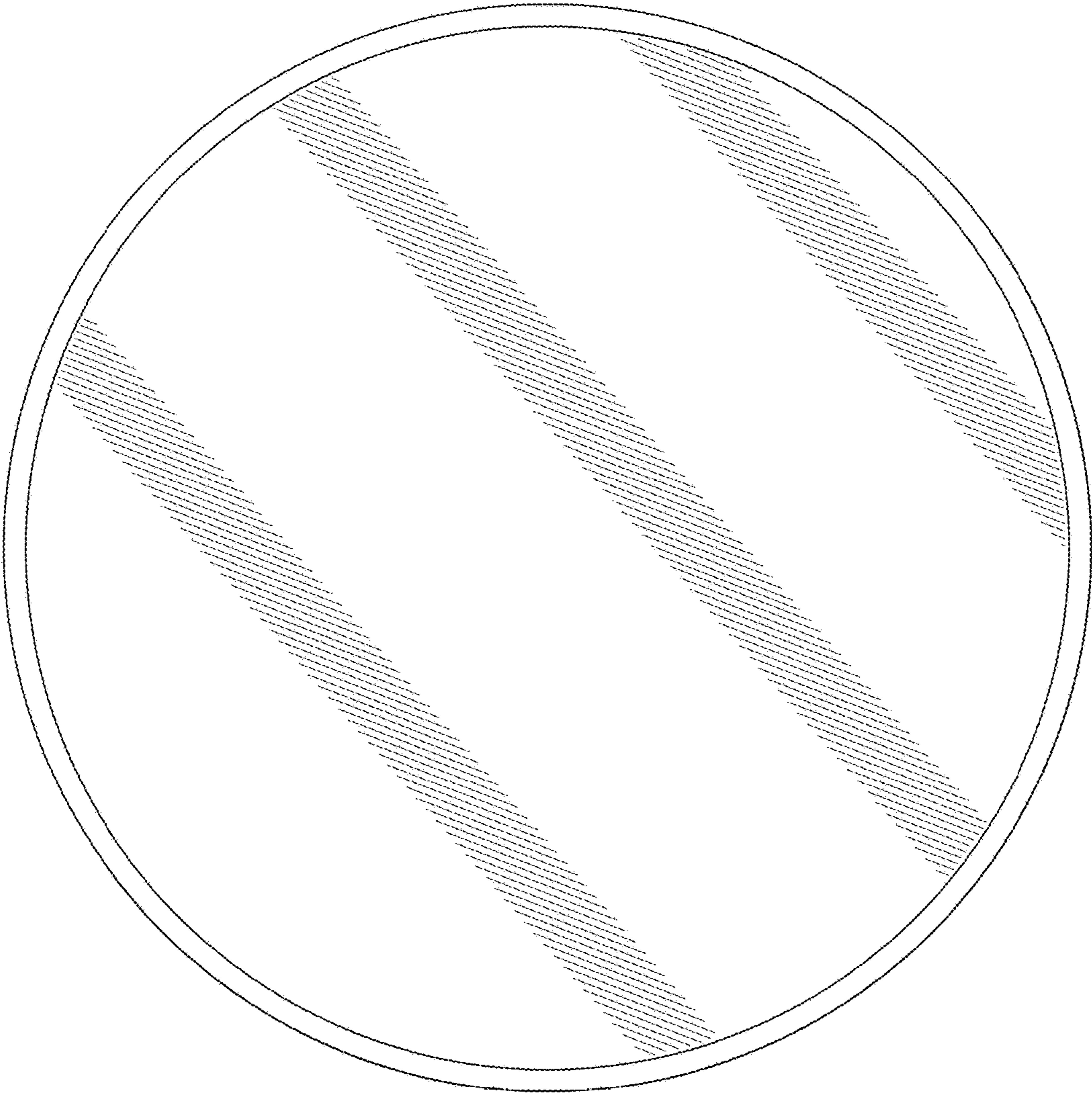


FIG.4

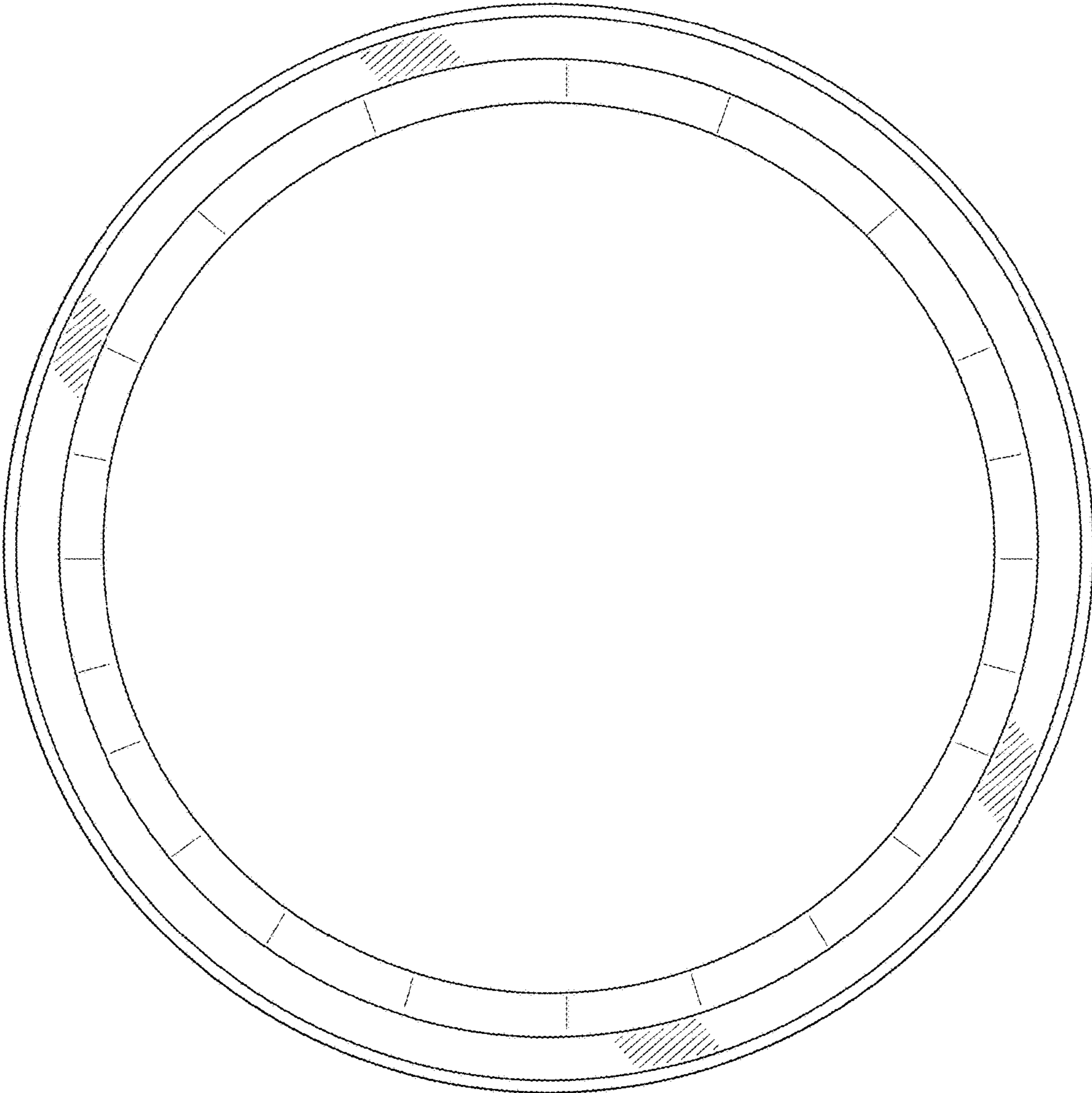


FIG.5