



US00D840015S

(12) **United States Design Patent** (10) **Patent No.:** **US D840,015 S**
Badarello et al. (45) **Date of Patent:** **** Feb. 5, 2019**

- (54) **CEILING FAN MOTOR HOUSING**
- (71) Applicant: **HUNTER FAN COMPANY**,
Memphis, TN (US)
- (72) Inventors: **Christophe Badarello**, Holly Springs,
MS (US); **Benjamin Scotti Guthrie**,
Germantown, TN (US)
- (73) Assignee: **Hunter Fan Company**, Memphis, TN
(US)
- (**) Term: **15 Years**
- (21) Appl. No.: **29/593,517**
- (22) Filed: **Feb. 9, 2017**

- D689,648 S 9/2013 Silver
- D715,420 S 10/2014 Funston
- D728,507 S 5/2015 Brandis
- D744,081 S * 11/2015 Wang D23/411
- D760,369 S 6/2016 Ertze
- D799,682 S * 10/2017 Wang D23/411
- D804,629 S * 12/2017 McRoberts D23/377
- D825,086 S * 8/2018 Holmes D26/59
- D825,736 S * 8/2018 Badarello D23/411
- D826,395 S * 8/2018 McRoberts D23/411

(Continued)

OTHER PUBLICATIONS

<http://www.craftmade.com/Craftmade-MND54ESP3-Espresso-Ceiling-Fan.HTM>. Item Specification for Mondo 54" Ceiling Fan with Blades Product # MND54ESP3, accessed Oct. 28, 2015.

(Continued)

Related U.S. Application Data

- (63) Continuation of application No. 29/543,785, filed on
Oct. 28, 2015, now Pat. No. Des. 783,797.
- (51) **LOC (11) Cl.** **23-04**
- (52) **U.S. Cl.**
USPC **D23/385**
- (58) **Field of Classification Search**
USPC D23/370, 377, 379, 385, 411; D26/59
CPC F04D 25/088; F21V 33/0096
See application file for complete search history.

Primary Examiner — Cynthia R Underwood

(74) *Attorney, Agent, or Firm* — McGarry Bair PC

(57) **CLAIM**

The ornamental design for a ceiling fan motor housing, as shown and described.

DESCRIPTION

FIG. 1 is a bottom perspective view of a ceiling fan motor housing, with a ceiling fan environment shown in broken line;

FIG. 2 is a bottom view of the ceiling fan motor housing of FIG. 1;

FIG. 3 is a front view of the ceiling fan motor housing of FIG. 1; and,

FIG. 4 is a side view of the ceiling fan motor housing of FIG. 1.

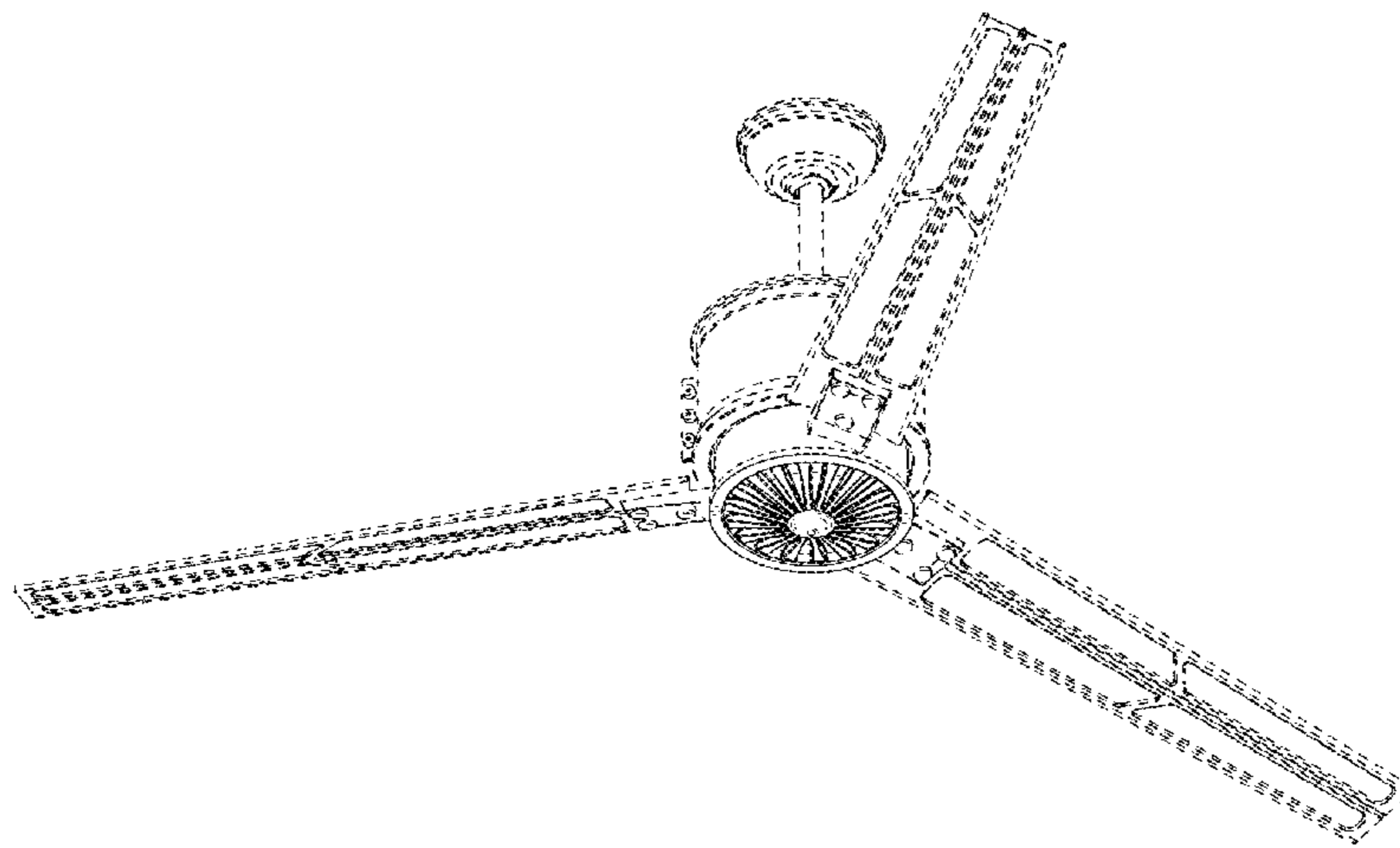
Portions of the ceiling fan motor housing and the ceiling fan environment shown in broken line form no part of the claimed design.

(56) **References Cited**

U.S. PATENT DOCUMENTS

- D340,514 S 10/1993 Liao
- 5,522,704 A 6/1996 Casteel
- D438,950 S * 3/2001 Frampton D23/377
- D503,472 S 3/2005 Tai
- D517,203 S 3/2006 Young
- D535,739 S 1/2007 Pan
- D539,897 S 4/2007 Bucher
- D627,053 S * 11/2010 Pan D23/411
- D631,148 S 1/2011 Benton et al.
- 7,874,798 B2 1/2011 Frampton et al.

1 Claim, 3 Drawing Sheets



(56)

References Cited

U.S. PATENT DOCUMENTS

D827,806 S * 9/2018 Biancuzzo D23/377
D828,535 S * 9/2018 Searle D23/377

OTHER PUBLICATIONS

<http://www.ellingtonfans.com/Ellington-Fans-COL72BP6-Brushed-Pewter-Ceiling-Fan.HTM>, Item Specification for Colossus 72" Ceiling Fan Blades Product # COL72BP6, accessed Oct. 28, 2015.

<http://www.ellingtonfans.com/Ellington-Fans-UB48BC4C1-Brushed-Chrome-Ceiling-Fan.HTM>, Item Specification for 48" Ceiling Fan with Blades Included Product # UB48BC4C1, accessed Oct. 28, 2015.

<http://www.craftmade.com/Craftmade-LAP54SSDW5-Steel-Ceiling-Fan.HTM>, Item Specification for La Playa 54" Ceiling Fan with Blades Included Product # LAP54SSDW5, accessed Oct. 28, 2015.

* cited by examiner

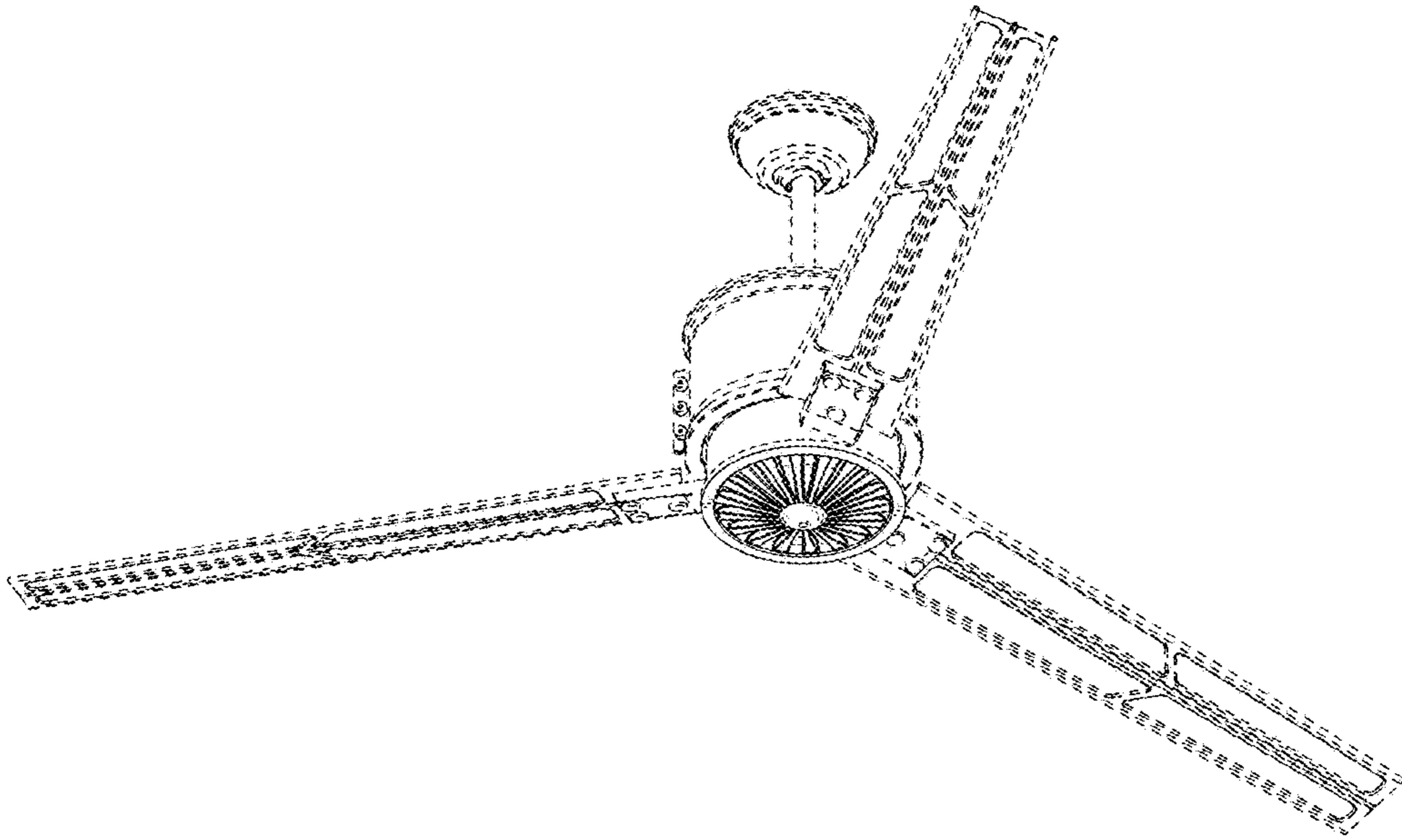


FIG. 1

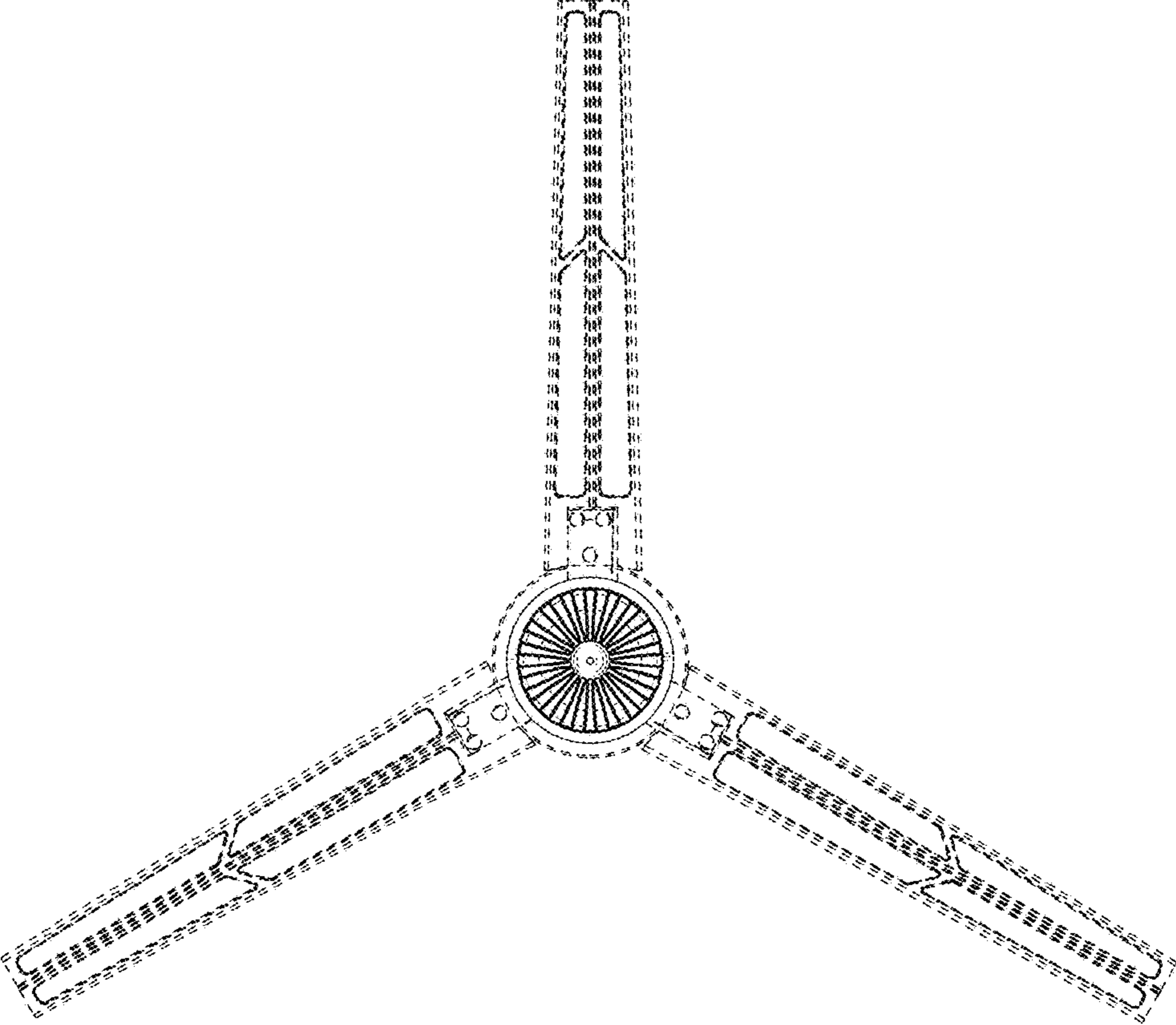


FIG. 2

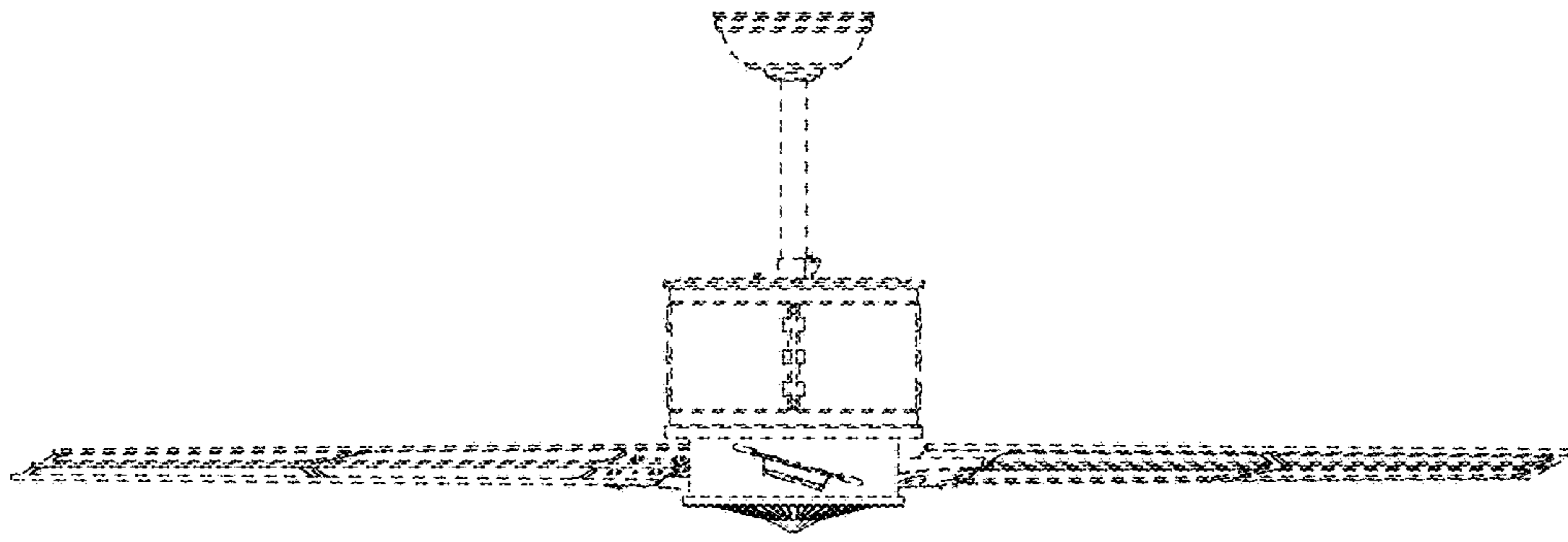


FIG. 3

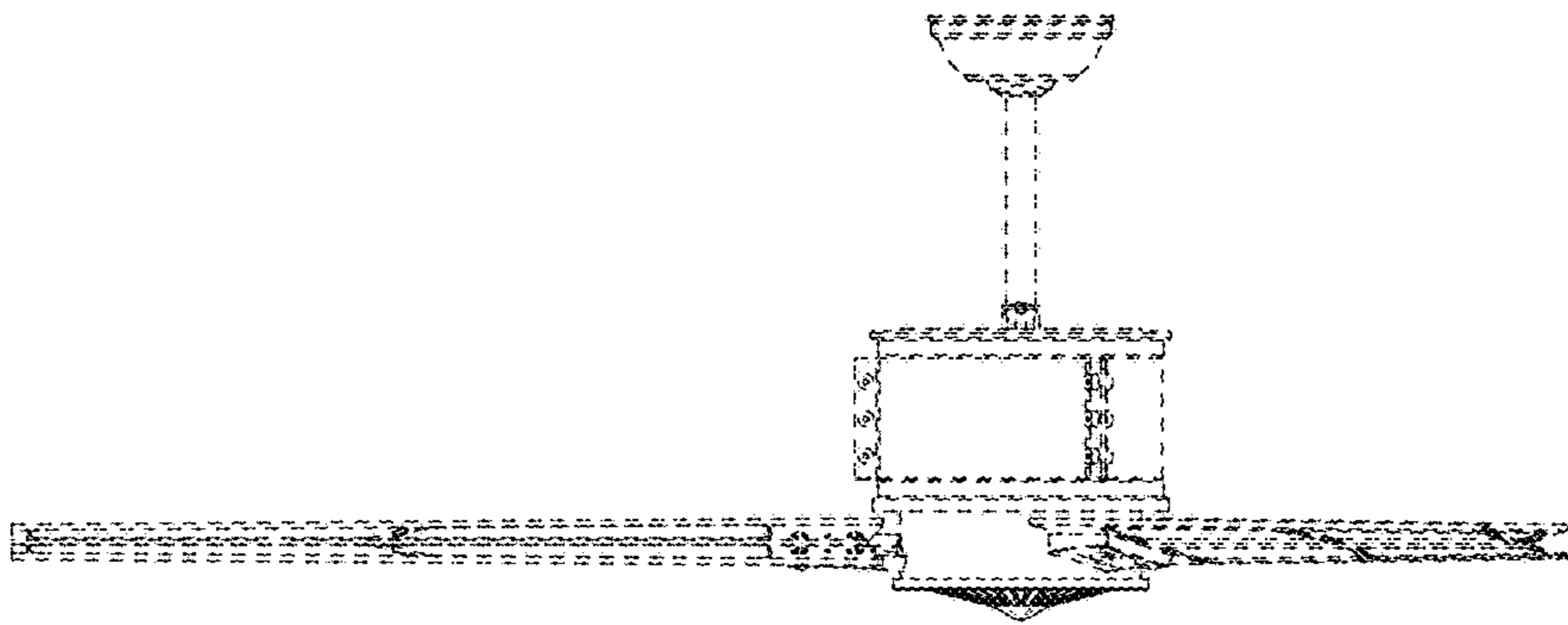


FIG. 4