



US00D840014S

(12) **United States Design Patent** (10) **Patent No.:** **US D840,014 S**  
**Badarello et al.** (45) **Date of Patent:** **\*\* Feb. 5, 2019**

- (54) **CEILING FAN LIGHT KIT**
- (71) Applicant: **HUNTER FAN COMPANY**,  
Memphis, TN (US)
- (72) Inventors: **Christophe Badarello**, Holly Springs,  
MS (US); **Austin Webster**, Marietta,  
GA (US)
- (73) Assignee: **Hunter Fan Company**, Memphis, TN  
(US)
- (\*\*) Term: **15 Years**
- (21) Appl. No.: **29/593,495**
- (22) Filed: **Feb. 9, 2017**

D424,189 S	5/2000	Johnson	
D438,950 S *	3/2001	Frampton	..... D23/377
D476,075 S	6/2003	Hsieh	
D479,594 S	9/2003	Hsieh	
D539,894 S	4/2007	Bucher	
D556,940 S	12/2007	Gajewski	
D561,326 S	2/2008	Gajewski	
D562,960 S	2/2008	Gajewski	
D562,972 S	2/2008	Pickett	
D563,836 S	3/2008	Okue et al.	
D585,582 S	1/2009	Campbell	
D618,786 S	6/2010	Hidalgo	
D618,787 S	6/2010	Hidalgo	
D619,238 S	7/2010	Hidalgo	
D620,182 S	7/2010	Sabernig	
D620,586 S	7/2010	Hidalgo	
D627,053 S *	11/2010	Pan	..... D23/411
D631,148 S	1/2011	Benton et al.	
7,874,798 B2	1/2011	Frampton et al.	
D659,648 S	5/2012	Isaacks et al.	
D690,453 S	9/2013	Guercio et al.	

(Continued)

**Related U.S. Application Data**

- (63) Continuation of application No. 29/545,362, filed on  
Nov. 12, 2015, now Pat. No. Des. 784,510.
- (51) **LOC (11) Cl.** ..... **23-04**
- (52) **U.S. Cl.**  
USPC ..... **D23/385**
- (58) **Field of Classification Search**  
USPC ..... D23/370, 377, 379, 385, 411; D26/59  
CPC ..... F04D 25/088; F21V 33/0096  
See application file for complete search history.

*Primary Examiner* — Cynthia R Underwood  
(74) *Attorney, Agent, or Firm* — McGarry Bair PC

(57) **CLAIM**

The ornamental design for a ceiling fan light kit, as shown and described.

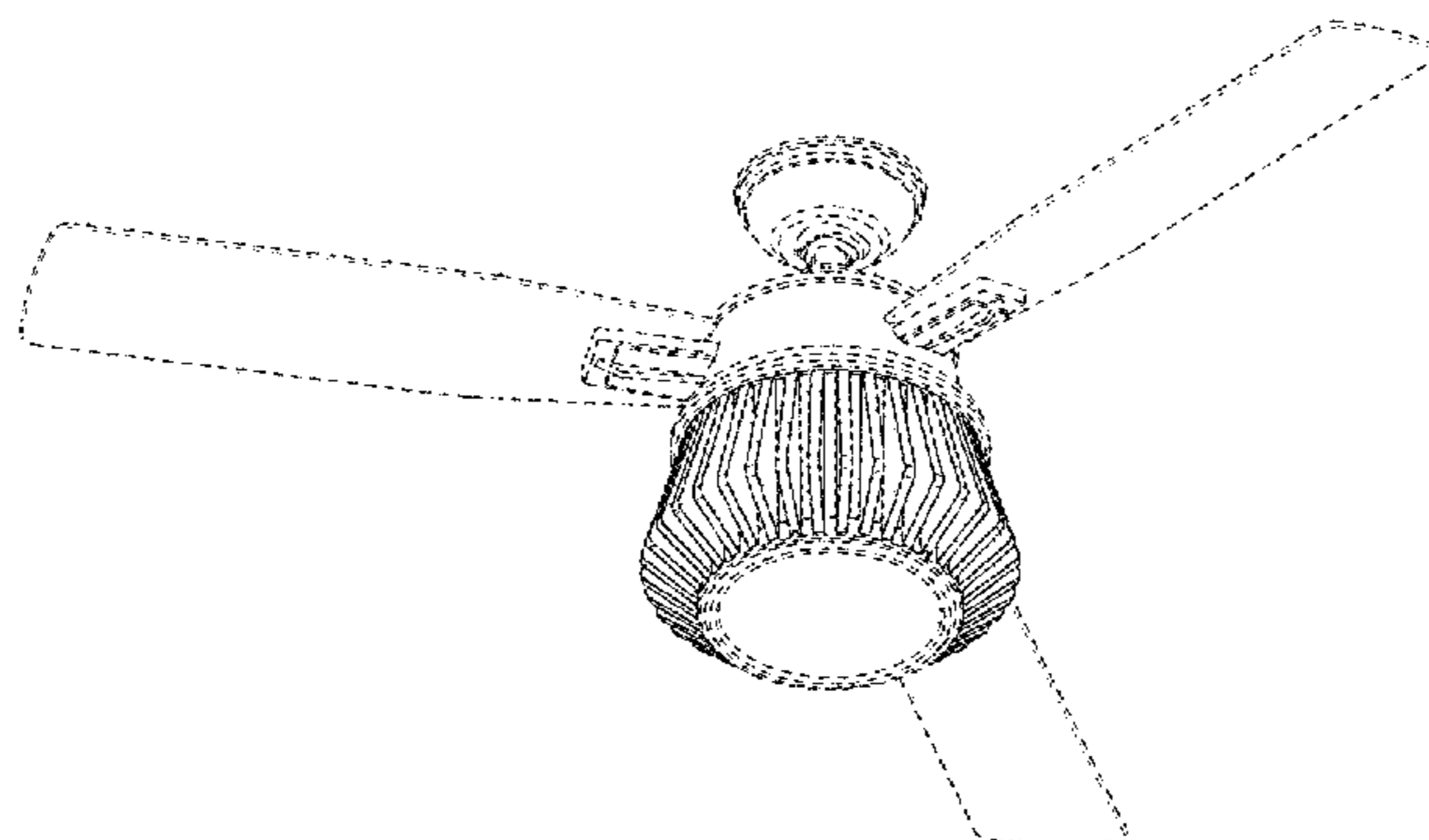
**DESCRIPTION**

FIG. 1 is a bottom perspective view of a ceiling fan light kit in the environment of a ceiling fan, showing my new design; FIG. 2 is a front view of the ceiling fan light kit of FIG. 1; FIG. 3 is a top view of the ceiling fan light kit of FIG. 1; and, FIG. 4 is a bottom view of the ceiling fan light kit of FIG. 1.

Portions of the ceiling fan light kit and the ceiling fan environment shown in broken lines form no part of the claimed design.

**1 Claim, 4 Drawing Sheets**

- (56) **References Cited**  
U.S. PATENT DOCUMENTS
- D23,966 S 1/1895 Seaver
- D40,180 S 7/1909 Mygatt
- D340,514 S 10/1993 Liao
- 5,522,704 A 6/1996 Casteel
- D394,103 S 5/1998 Lee
- D399,333 S 10/1998 Greene et al.
- D400,286 S 10/1998 Greene et al.



(56)

**References Cited**

U.S. PATENT DOCUMENTS

D715,420 S	10/2014	Funston	
D728,507 S	5/2015	Brandis	
D744,081 S *	11/2015	Wang .....	D23/411
D760,369 S	6/2016	Ertze	
D799,682 S *	10/2017	Wang .....	D23/411
D804,629 S *	12/2017	McRoberts .....	D23/377
D825,086 S *	8/2018	Holmes .....	D26/59
D825,736 S *	8/2018	Badarello .....	D23/411
D826,395 S *	8/2018	McRoberts .....	D23/411
D827,806 S *	9/2018	Biancuzzo .....	D23/377
D828,535 S *	9/2018	Searle .....	D23/377

\* cited by examiner

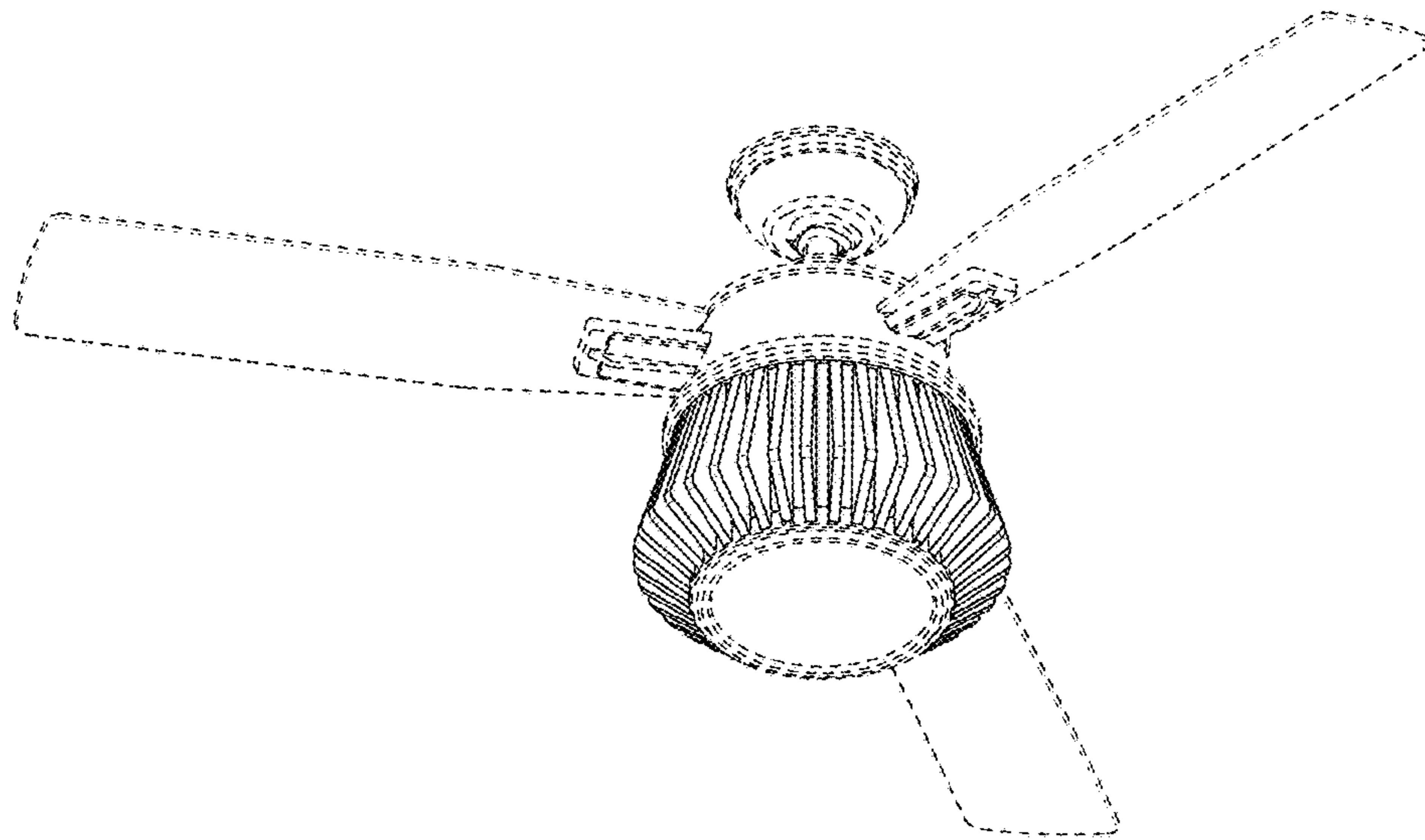


FIG. 1

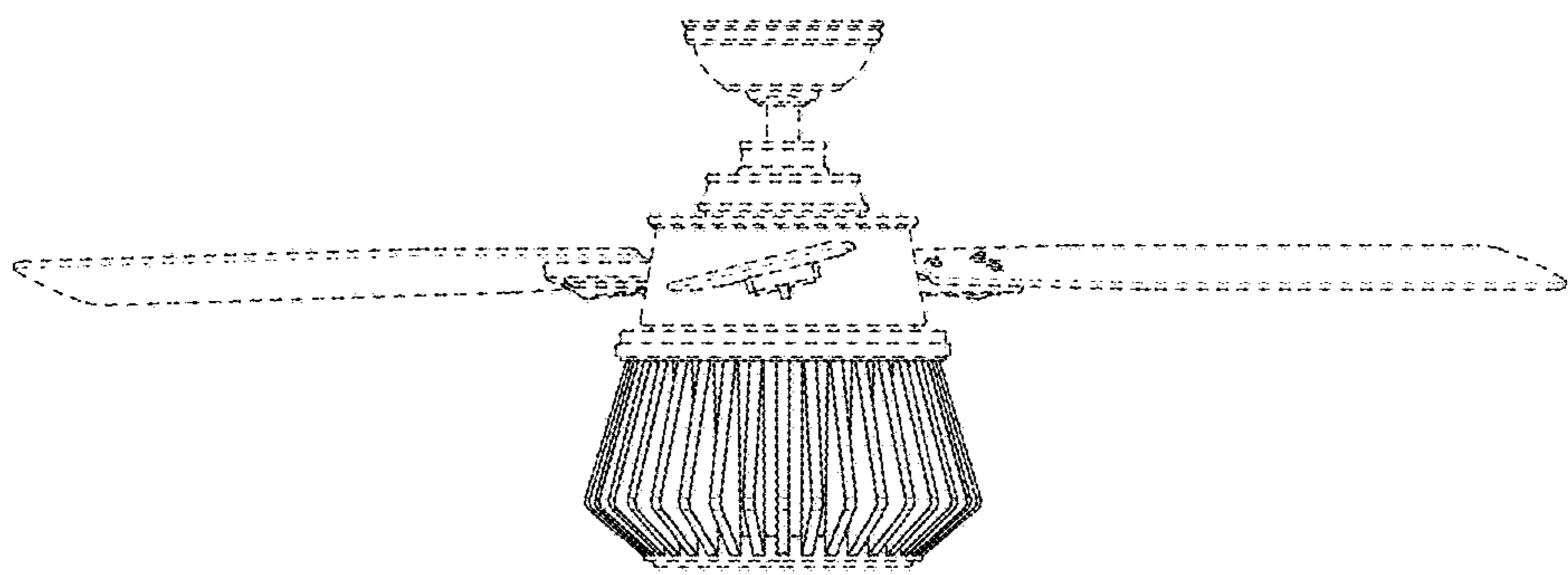


FIG. 2

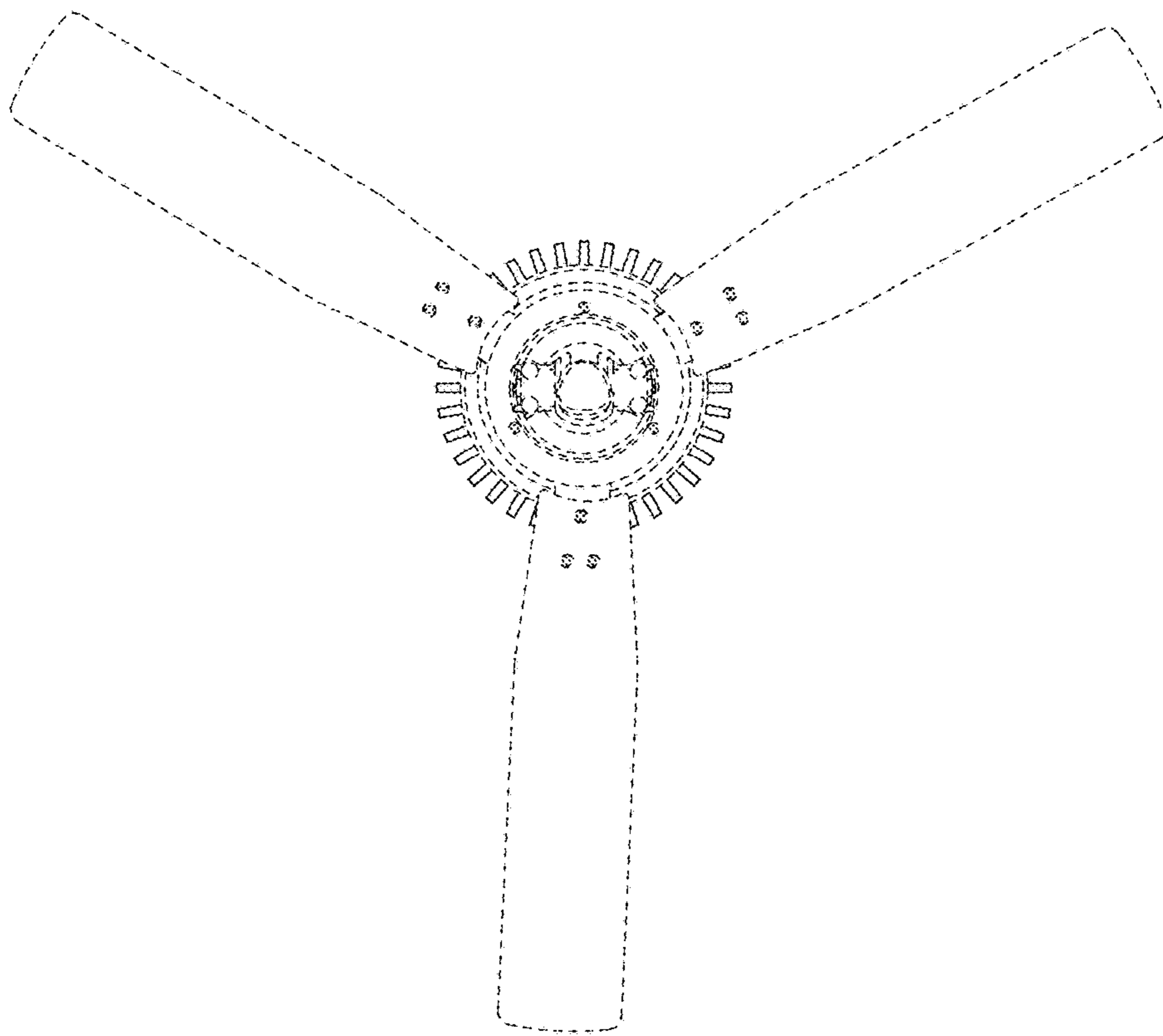
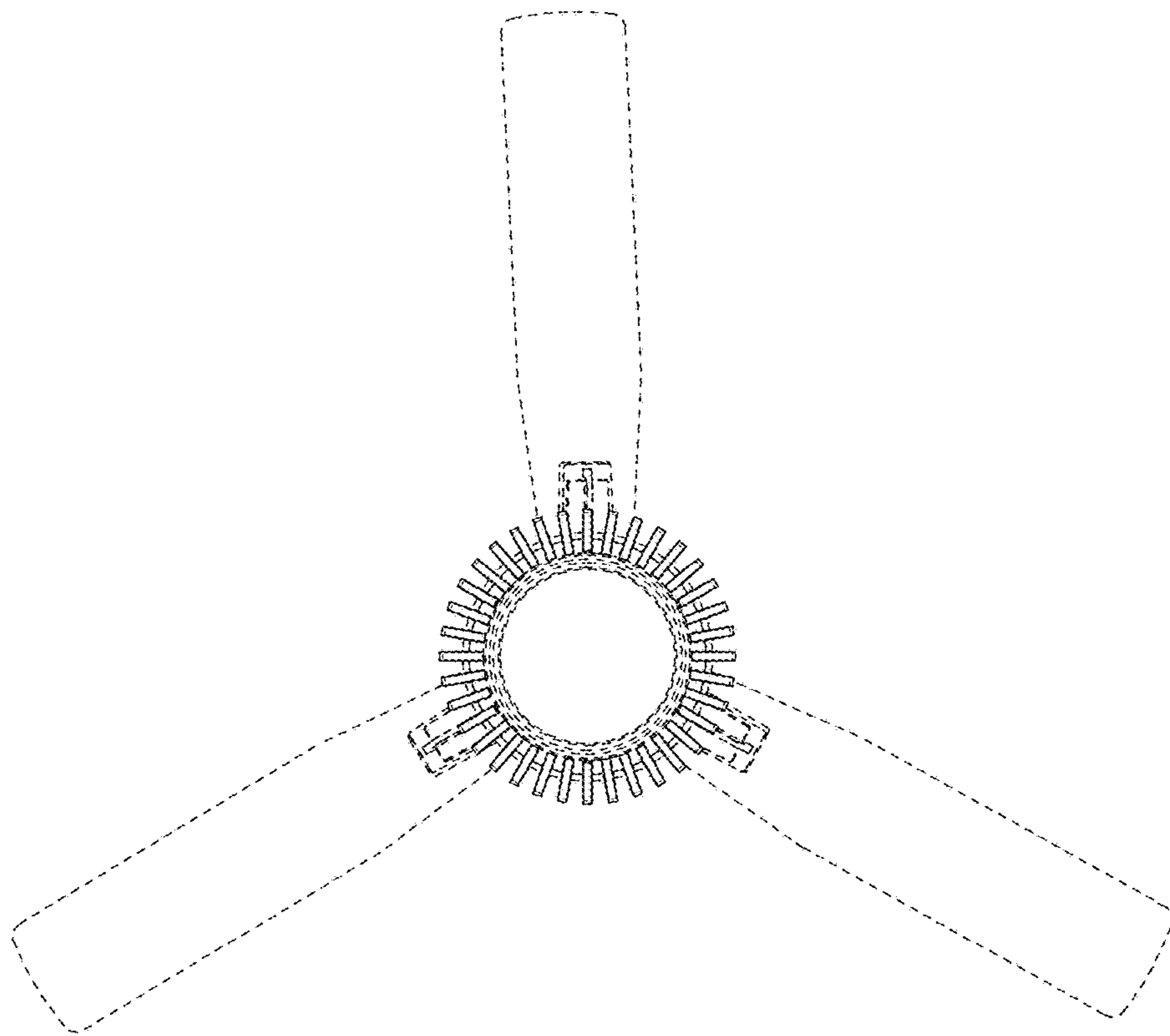


FIG. 3



**FIG. 4**