



US00D840011S

(12) **United States Design Patent**  
**Seymour et al.**

(10) **Patent No.:** **US D840,011 S**

(45) **Date of Patent:** **\*\* Feb. 5, 2019**

- (54) **DEHUMIDIFIER**
- (71) Applicant: **Honeywell International Inc.**, Morris Plains, NJ (US)
- (72) Inventors: **Lauren M. Seymour**, Golden Valley, MN (US); **Jeff Peters**, Medina, MN (US); **Charles N. Hoff**, Excelsior, MN (US)
- (73) Assignee: **Honeywell International Inc.**, Morris Plains, NJ (US)

4,750,922 A *	6/1988	Griffis .....	F24F 3/1603
			55/385.2
4,932,988 A *	6/1990	Lutterbach .....	B01D 46/00
			55/356
D311,270 S *	10/1990	Savage .....	D23/365
D314,425 S *	2/1991	Beavers .....	D23/335
D315,596 S *	3/1991	Botheras .....	D23/332
D316,142 S *	4/1991	Lutterbach .....	D23/364
D316,447 S *	4/1991	Woodson .....	D23/365
D326,543 S *	5/1992	Zwicker .....	D32/21
D330,076 S *	10/1992	Evans .....	D23/386
5,154,743 A *	10/1992	Takato .....	B01D 46/26
			55/317

(Continued)

(\*\*) Term: **15 Years**

(21) Appl. No.: **29/606,641**

(22) Filed: **Jun. 6, 2017**

(51) **LOC (11) Cl.** ..... **23-04**

(52) **U.S. Cl.**  
USPC ..... **D23/359**

(58) **Field of Classification Search**  
USPC ..... D23/355-366, 352, 369, 332, 333, 335,  
D23/336, 342, 351; 261/DIG. 17,  
261/DIG. 65, DIG. 88, DIG. 31; 422/120,  
422/122; 55/356, 473, 504; 96/97;  
D14/188, 170, 172; D18/34.6  
CPC .. A61L 9/16; A61L 9/22; B01D 47/00; B01D  
47/027; B01D 2221/02; B01D 2259/4508;  
B03C 3/155; B03C 3/368; F24F 3/16;  
F24F 13/20; F24F 13/28; F24F  
2001/0096

See application file for complete search history.

(56) **References Cited**

**U.S. PATENT DOCUMENTS**

3,575,009 A *	4/1971	Kooney .....	D06F 58/24
			62/272
3,799,513 A *	3/1974	Winton .....	F24F 6/04
			126/113
D253,845 S *	1/1980	Morrow .....	D23/357

**OTHER PUBLICATIONS**

<https://www.google.com/search?q=whole+house+dehumidifier&source...>, "Aprilaire Dehumidifier—Google Search," 19 pages, printed Jun. 6, 2017.

(Continued)

*Primary Examiner* — David G Muller

*Assistant Examiner* — Nathan M Johnston

(74) *Attorney, Agent, or Firm* — Shumaker & Sieffert, P.A.

(57) **CLAIM**

The ornamental design for a dehumidifier, as shown and described.

**DESCRIPTION**

FIG. 1 is a perspective view of a dehumidifier showing our new design;

FIG. 2 is a front elevation view thereof;

FIG. 3 is a rear elevation view thereof;

FIG. 4 is a top plan view thereof;

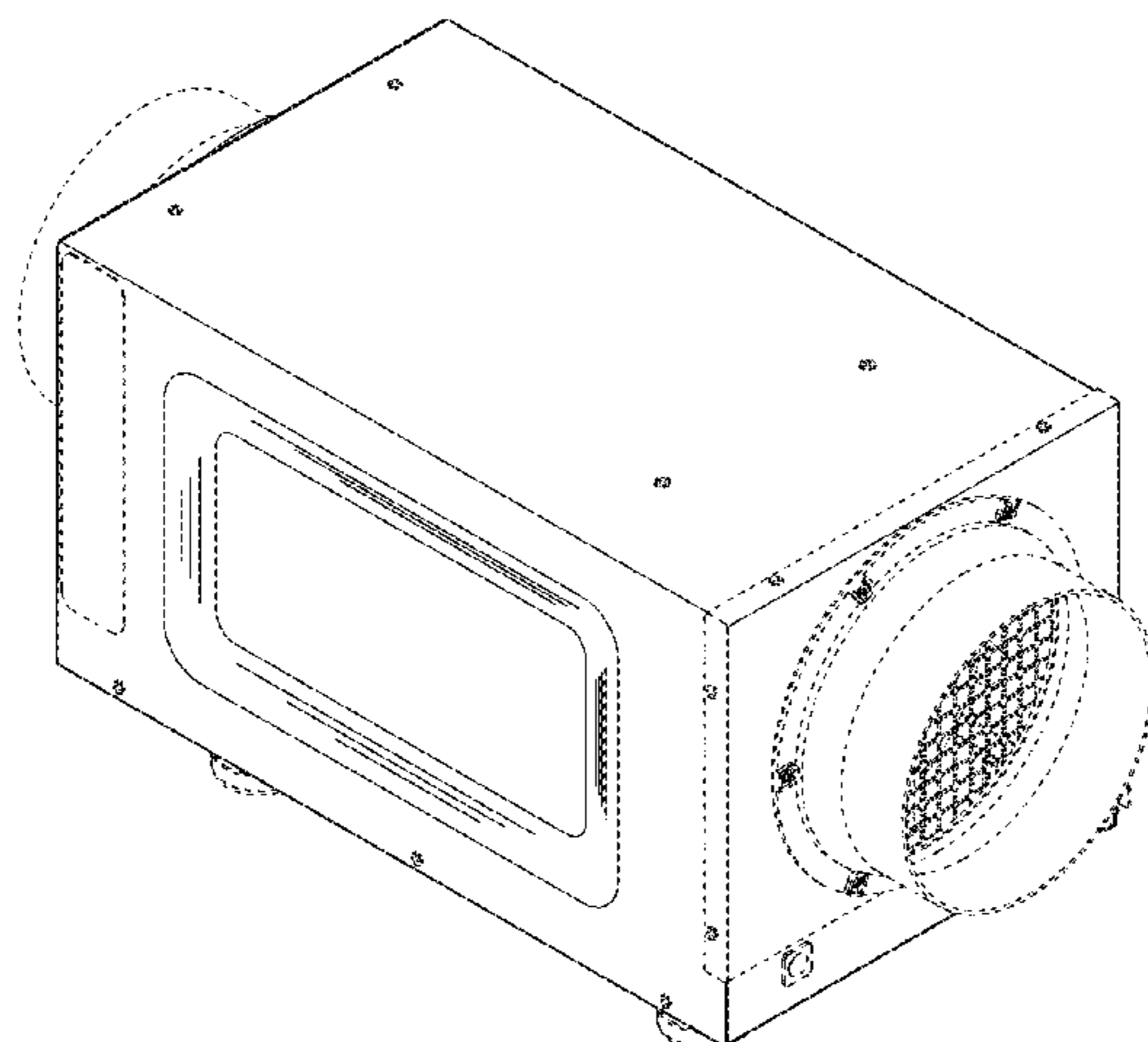
FIG. 5 is a bottom plan view thereof;

FIG. 6 is a right side elevation view thereof; and,

FIG. 7 is a left side elevation view thereof.

The broken lines show portions of the design that form no part of the claimed design.

**1 Claim, 7 Drawing Sheets**



(56)

References Cited

U.S. PATENT DOCUMENTS

6,149,873 A \* 11/2000 Potter ..... A61L 9/12  
 239/271  
 6,355,091 B1 \* 3/2002 Felber ..... F24F 3/1411  
 95/10  
 6,849,107 B1 \* 2/2005 Huffman ..... B01D 46/0005  
 250/436  
 D515,553 S \* 2/2006 Tragatschnig ..... D14/188  
 D603,495 S \* 11/2009 Sata ..... D23/351  
 D603,948 S \* 11/2009 Ishihara ..... D23/351  
 7,806,948 B2 \* 10/2010 Brock ..... B01D 46/04  
 55/302  
 D629,091 S \* 12/2010 Maezawa ..... D23/351  
 D654,160 S \* 2/2012 Yomtov ..... D23/360  
 D696,760 S \* 12/2013 Wolf, II ..... D23/364  
 D731,632 S \* 6/2015 Kulp ..... D23/359  
 D777,891 S \* 1/2017 Kubota ..... D23/351  
 2011/0165018 A1 \* 7/2011 Lynn ..... A61L 9/015  
 422/4  
 2013/0125574 A1 5/2013 Uselton et al.

OTHER PUBLICATIONS

[https://www.google.com/search?q=whole+house+dehumidifier  
 &source . . .](https://www.google.com/search?q=whole+house+dehumidifier&source...) , “Honeywell Dehumidifier—Google Search,” 16  
 pages, printed Jun. 6, 2017.  
[https://www.google.com/search?q=whole+house+dehumidifier  
 &source . . .](https://www.google.com/search?q=whole+house+dehumidifier&source...) , “Lennox Dehumidifier—Google Search,” 28 pages,  
 printed Jun. 6, 2017.  
[https://www.google.com/search?q=whole+house+dehumidifier  
 &source . . .](https://www.google.com/search?q=whole+house+dehumidifier&source...) , “Whole House Dehumidifier—Google Search,” 22  
 pages, Jun. 6, 2017.  
 Response to Canadian Office Action dated Aug. 9, 2018, from  
 counterpart Canadian application No. 178267, filed Nov. 8, 2018, 18  
 pp.  
 \* cited by examiner

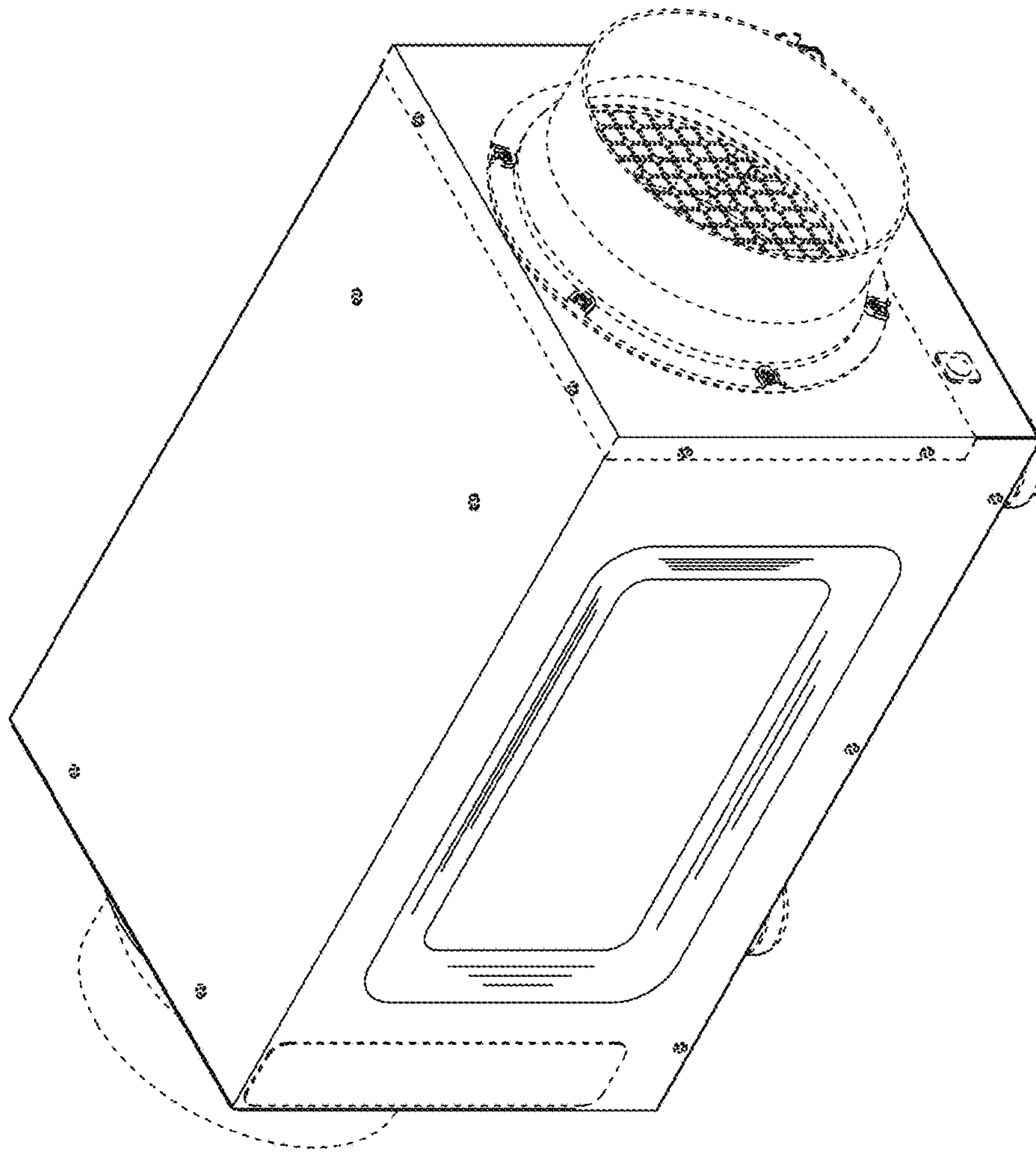


FIG. 1

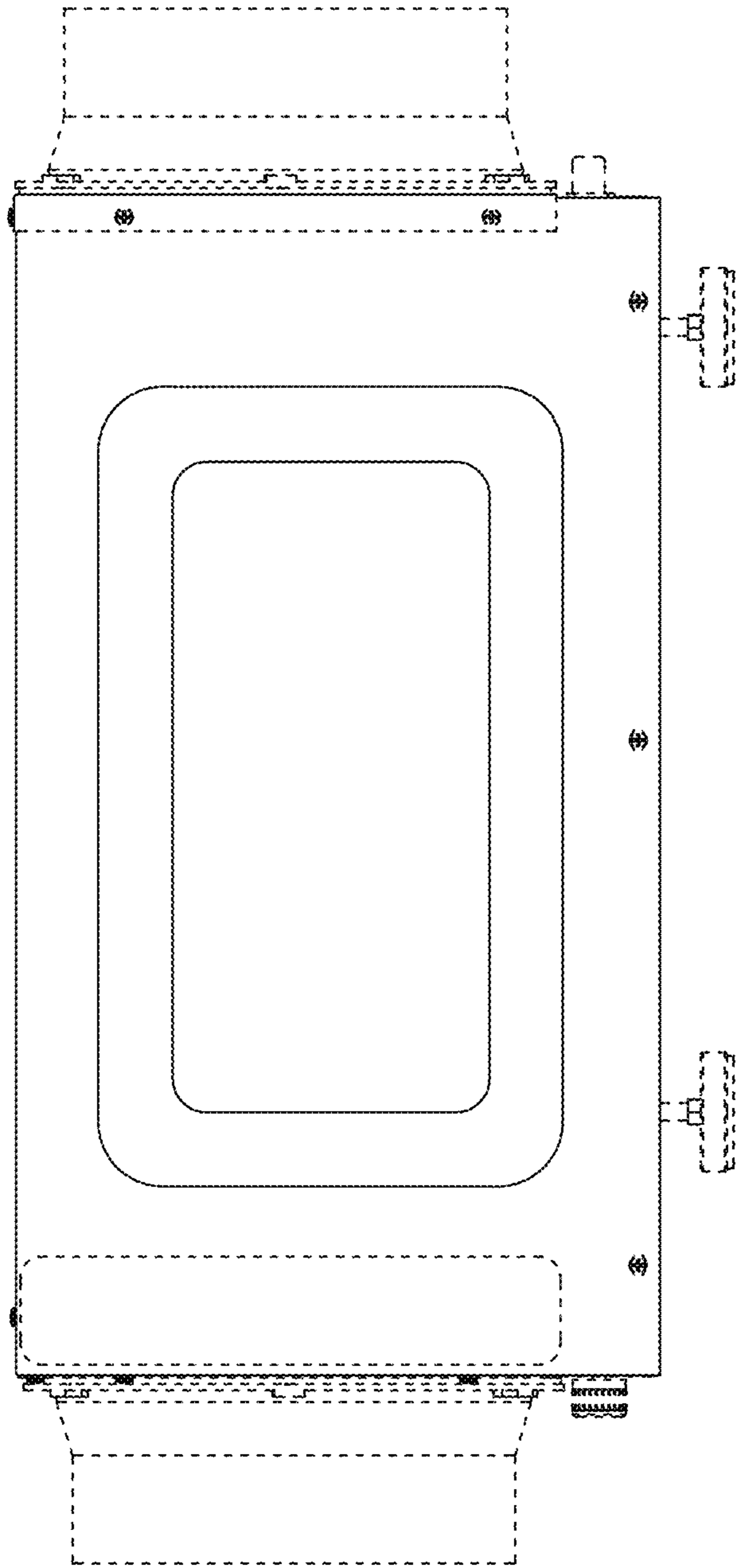


FIG. 2

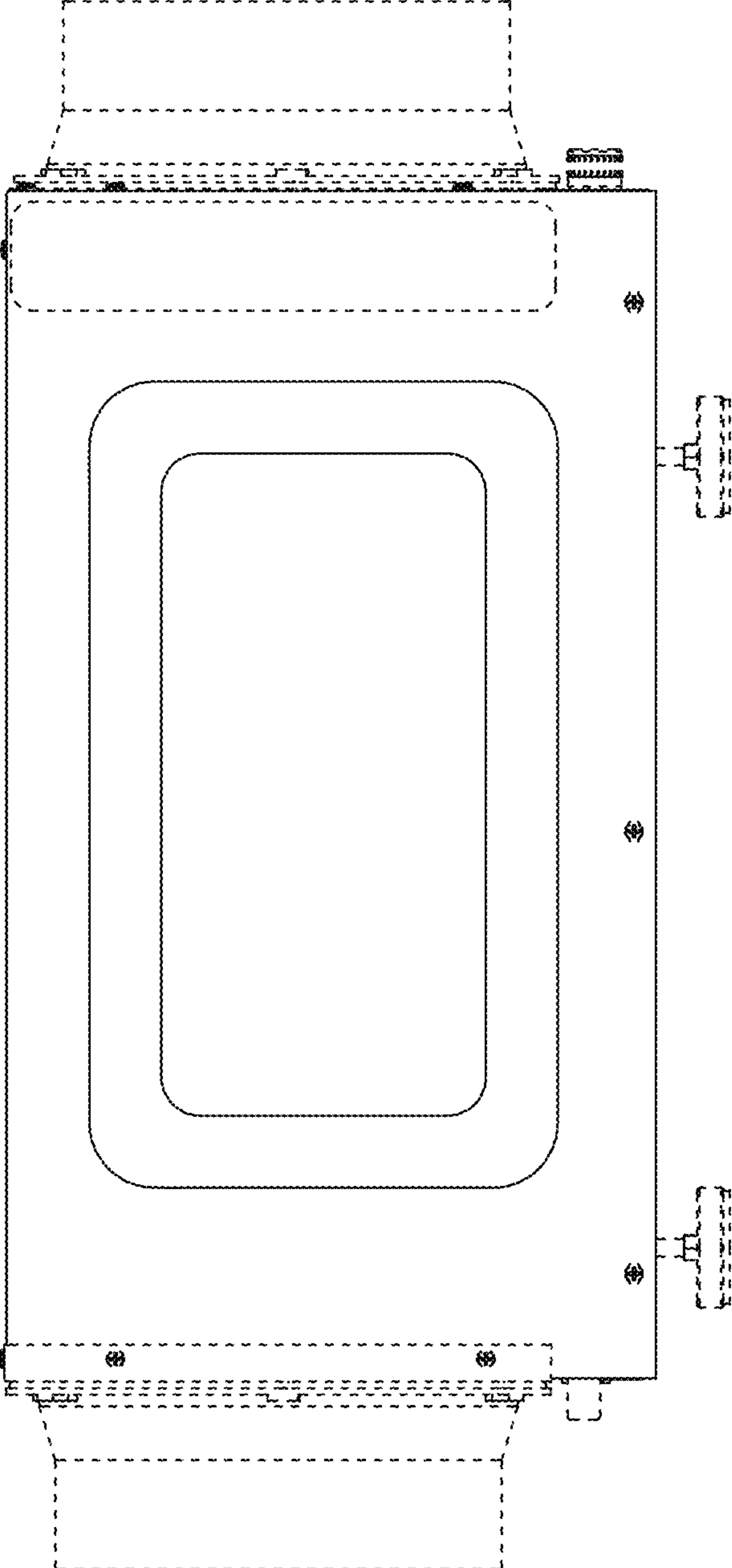


FIG. 3

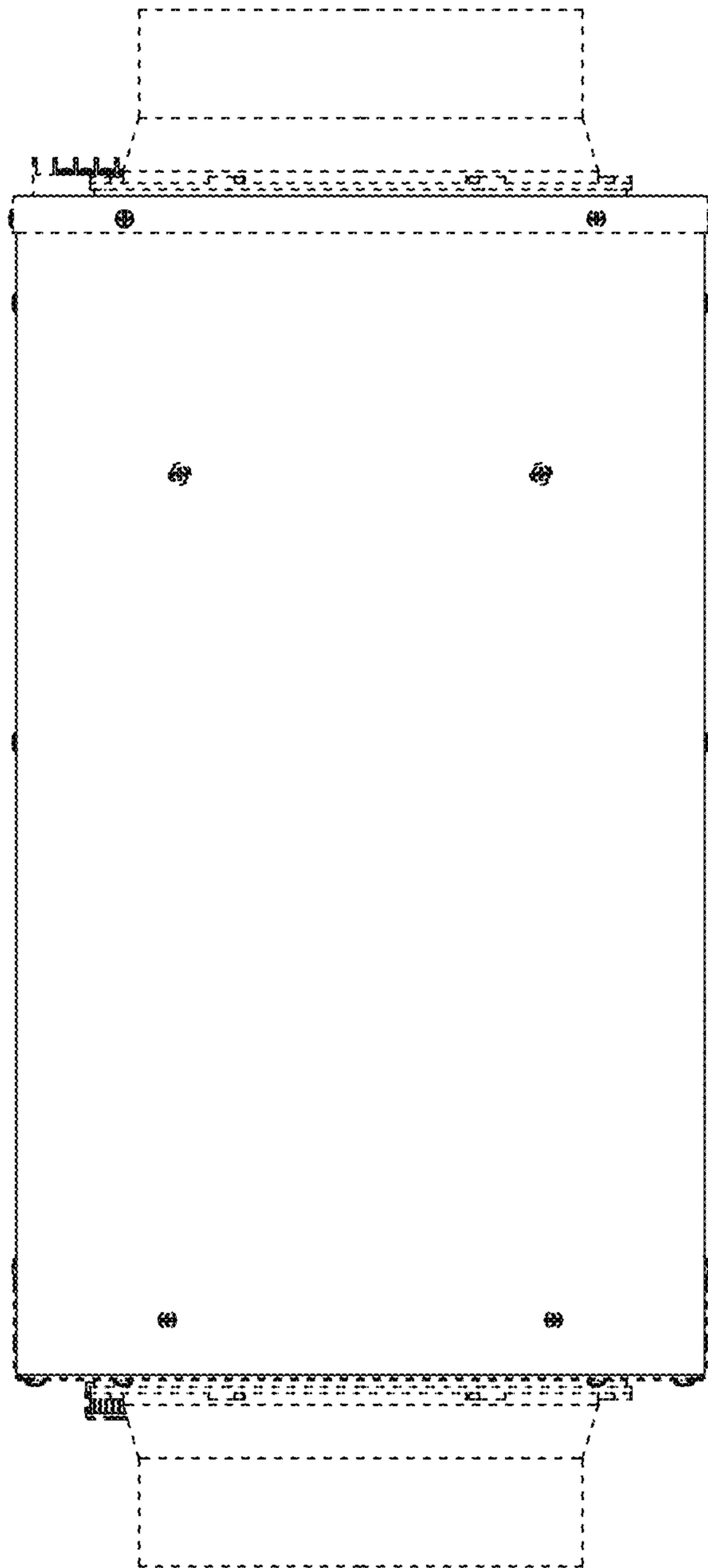


FIG. 4



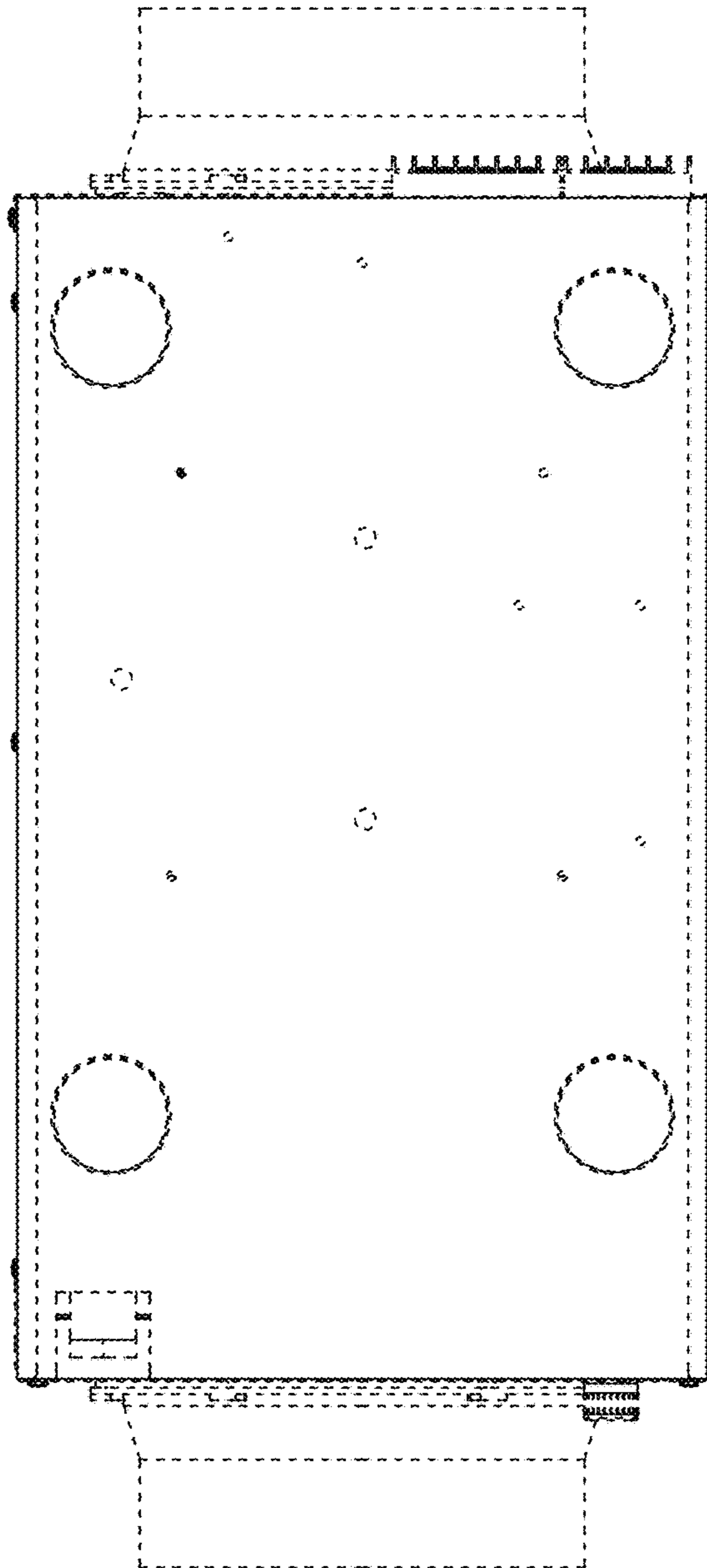


FIG. 5

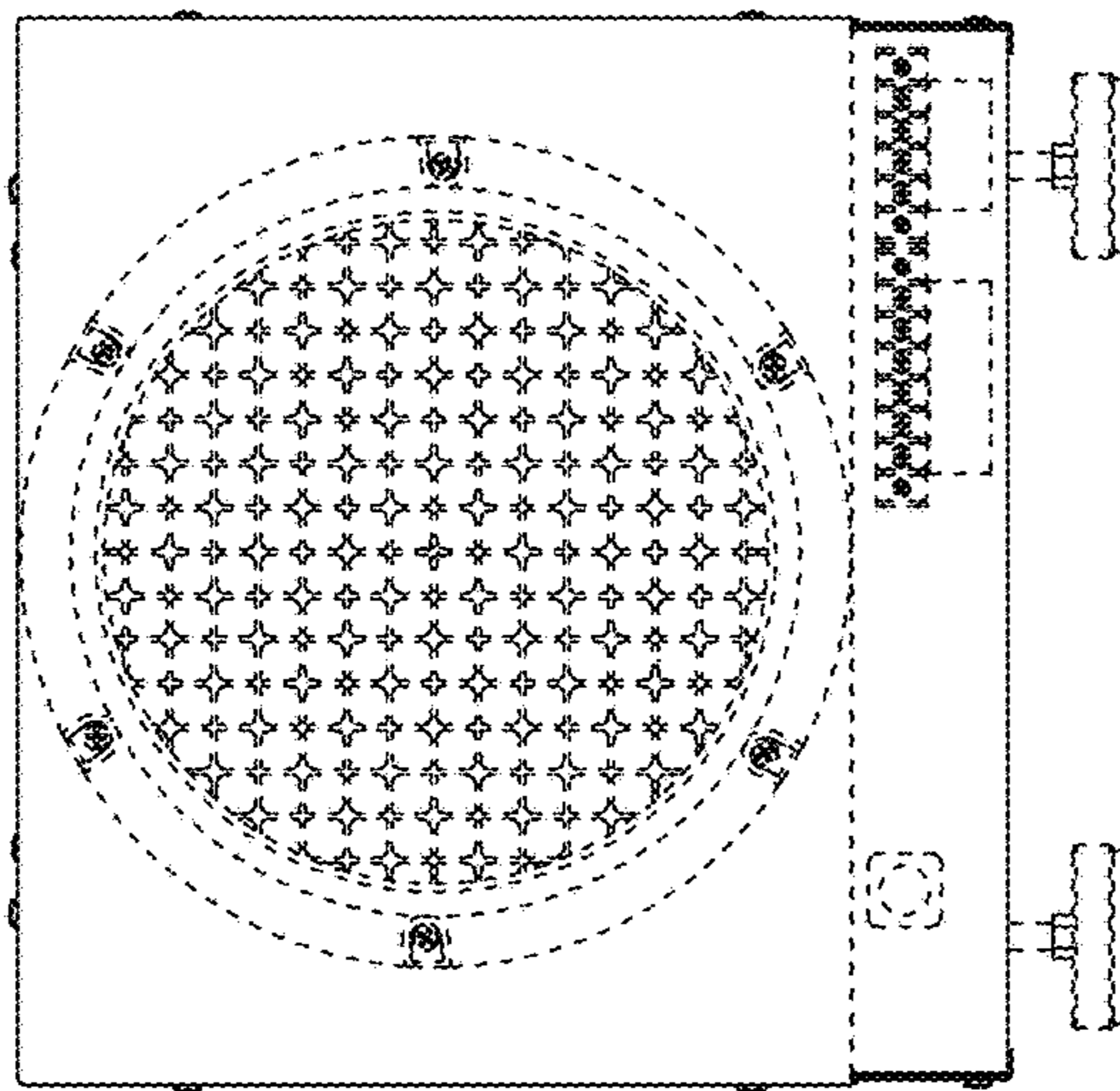


FIG. 6



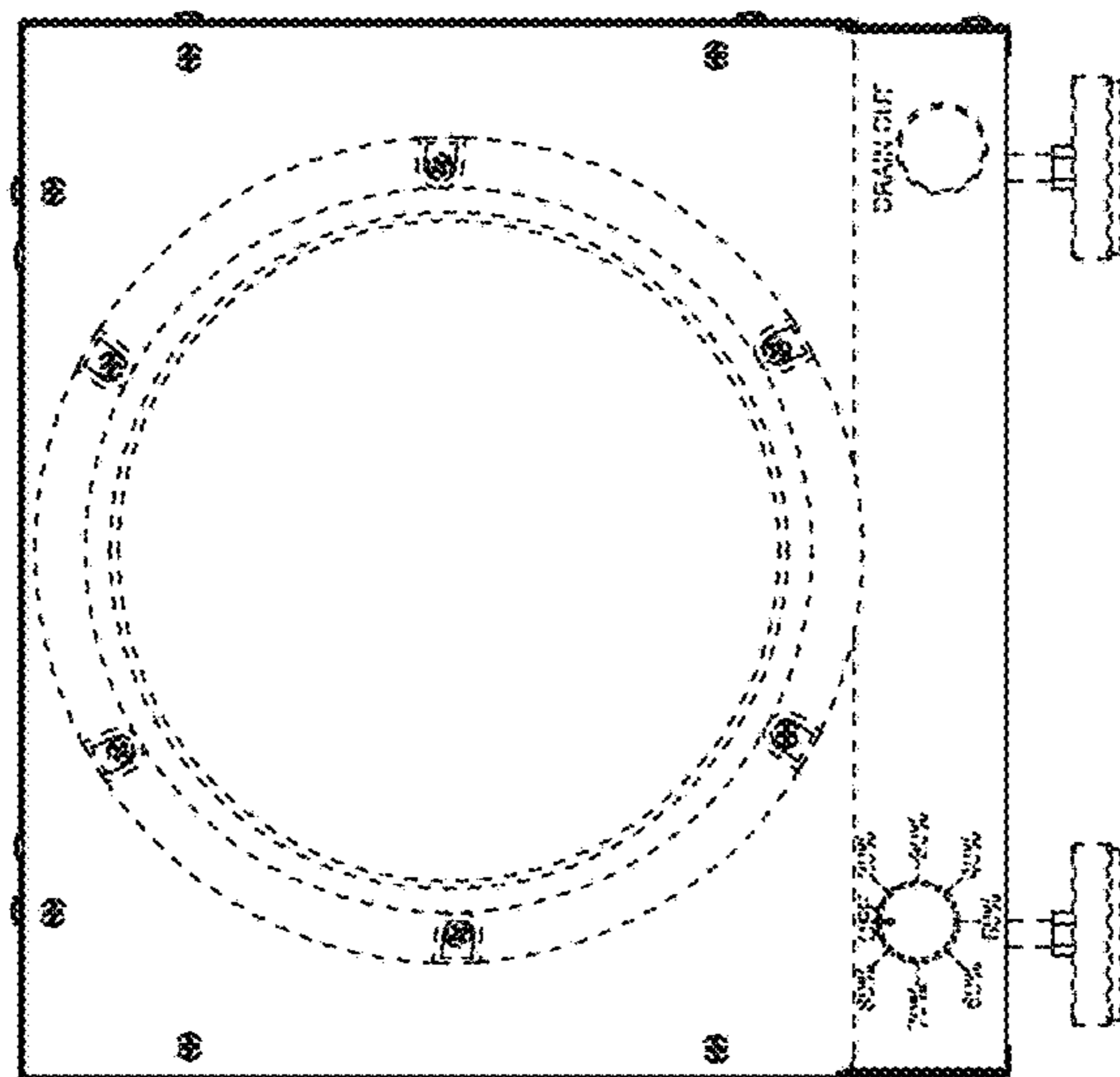


FIG. 7