



US00D840008S

(12) **United States Design Patent**
Yamamoto et al.

(10) **Patent No.:** **US D840,008 S**

(45) **Date of Patent:** **** Feb. 5, 2019**

(54) **DRAIN PAN FOR HEAT EXCHANGER**

(71) Applicant: **mitsubishi electric corporation**, Tokyo (JP)

(72) Inventors: **Keiichi Yamamoto**, Tokyo (JP);
Tomoki Hayashi, Tokyo (JP); **Shinya Morikawa**, Tokyo (JP)

(73) Assignee: **Mitsubishi Electric Corporation**, Tokyo (JP)

(**) Term: **14 Years**

(21) Appl. No.: **29/524,776**

(22) Filed: **Apr. 23, 2015**

(30) **Foreign Application Priority Data**

Nov. 19, 2014 (JP) 2014-025850

(51) **LOC (11) Cl.** **23-03**

(52) **U.S. Cl.**
USPC **D23/323**

(58) **Field of Classification Search**
USPC D23/323, 385-395, 397, 370-373, 365,
D23/351, 354, 399-403, 421, 499, 200,
D23/314, 341, 333, 259-266, 269;
D3/311, 308, 309
CPC F24F 13/222; F24F 2013/227; F24F 13/32;
F25D 21/14
See application file for complete search history.

(56) **References Cited**

U.S. PATENT DOCUMENTS

457,518 A * 8/1891 Morrell E01B 3/16
238/285
697,480 A * 4/1902 Harms E01B 3/16
238/357
1,067,762 A * 7/1913 Shane E01B 3/16
238/191

1,651,106 A * 11/1927 Sutinen E01B 3/16
238/286
2,555,968 A * 6/1951 Harbison F25D 21/14
62/286
4,679,405 A * 7/1987 Mitchell F16L 41/10
285/239
5,284,027 A * 2/1994 Martin, Sr. F24F 3/044
165/126

(Continued)

FOREIGN PATENT DOCUMENTS

DE 102006011413 A1 * 10/2006 A47J 37/0709
WO WO 2013080760 A1 * 6/2013 F25D 21/00

Primary Examiner — T Chase Nelson

Assistant Examiner — Ania Aman

(74) *Attorney, Agent, or Firm* — Studebaker & Brackett PC

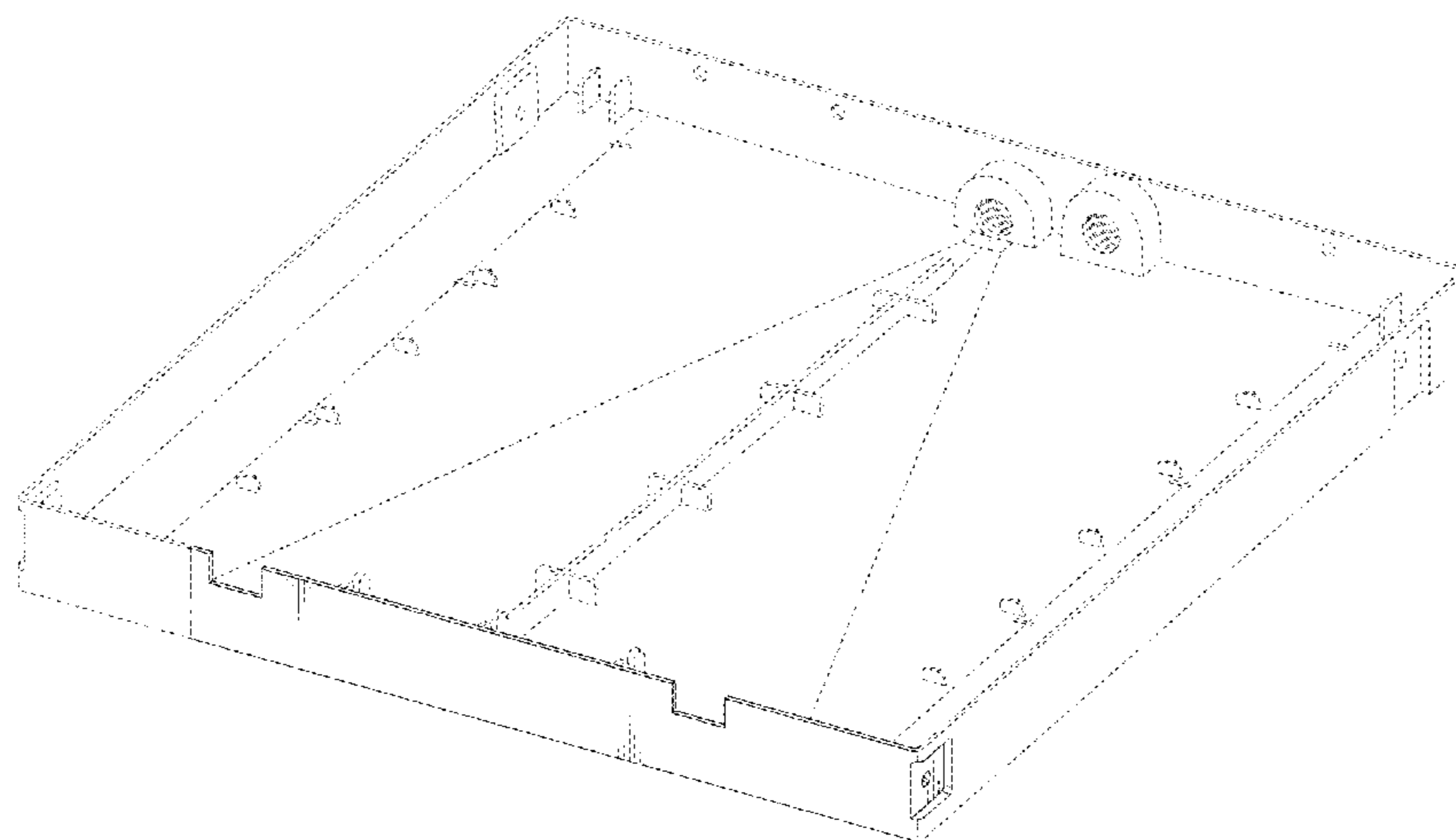
(57) **CLAIM**

The ornamental design for a drain pan for heat exchanger, as shown and described.

DESCRIPTION

FIG. 1 is a front perspective view of the front, left, and bottom sides of a drain pan for heat exchanger showing of our new design;
FIG. 2 is a rear perspective view of the rear, right, and top sides of thereof;
FIG. 3 is a front view thereof;
FIG. 4 is a rear view thereof;
FIG. 5 is a left side view thereof;
FIG. 6 is a right side view thereof;
FIG. 7 is a top plan view thereof;
FIG. 8 is a bottom plan view thereof; and,
FIG. 9 is a reference view of usage.
The broken lines shown represent unclaimed subject matter of the drain pan for heat exchanger and form no part of the claimed design. The dash-dot lines represent the boundary between the claimed design and unclaimed design.

1 Claim, 6 Drawing Sheets



US D840,008 S

Page 2

(56)

References Cited

U.S. PATENT DOCUMENTS

5,987,909	A *	11/1999	Martin, Sr.	F24F 13/222	62/288
6,276,443	B1 *	8/2001	Martin, Sr.	F28D 1/0477	165/124
7,757,705	B2 *	7/2010	Carter	A47B 97/00	137/312
D663,912	S *	7/2012	Le	D32/55	
8,813,517	B2 *	8/2014	Lee	A61L 9/22	174/1
D720,447	S *	12/2014	Korda	F16N 31/002	D23/386
2005/0109053	A1 *	5/2005	Eom	F24F 1/0007	62/285
2005/0109054	A1 *	5/2005	Eom	F24F 1/0007	62/286
2005/0229610	A1 *	10/2005	Park	F24F 1/0007	62/126
2006/0026985	A1 *	2/2006	Hollen	F25C 1/04	62/340
2007/0169495	A1 *	7/2007	Thomas	F24F 13/222	62/285
2007/0169496	A1 *	7/2007	Rios	F24F 13/222	62/285
2007/0169498	A1 *	7/2007	Rios	F24F 13/222	62/285
2007/0169499	A1 *	7/2007	Rios	F24F 13/222	62/285
2007/0169500	A1 *	7/2007	Rios	F24F 13/222	62/285
2007/0169501	A1 *	7/2007	Rios	F24F 13/222	62/286
2013/0206098	A1 *	8/2013	Betts, Sr.	F02B 77/00	123/198 R

* cited by examiner

Fig. 1

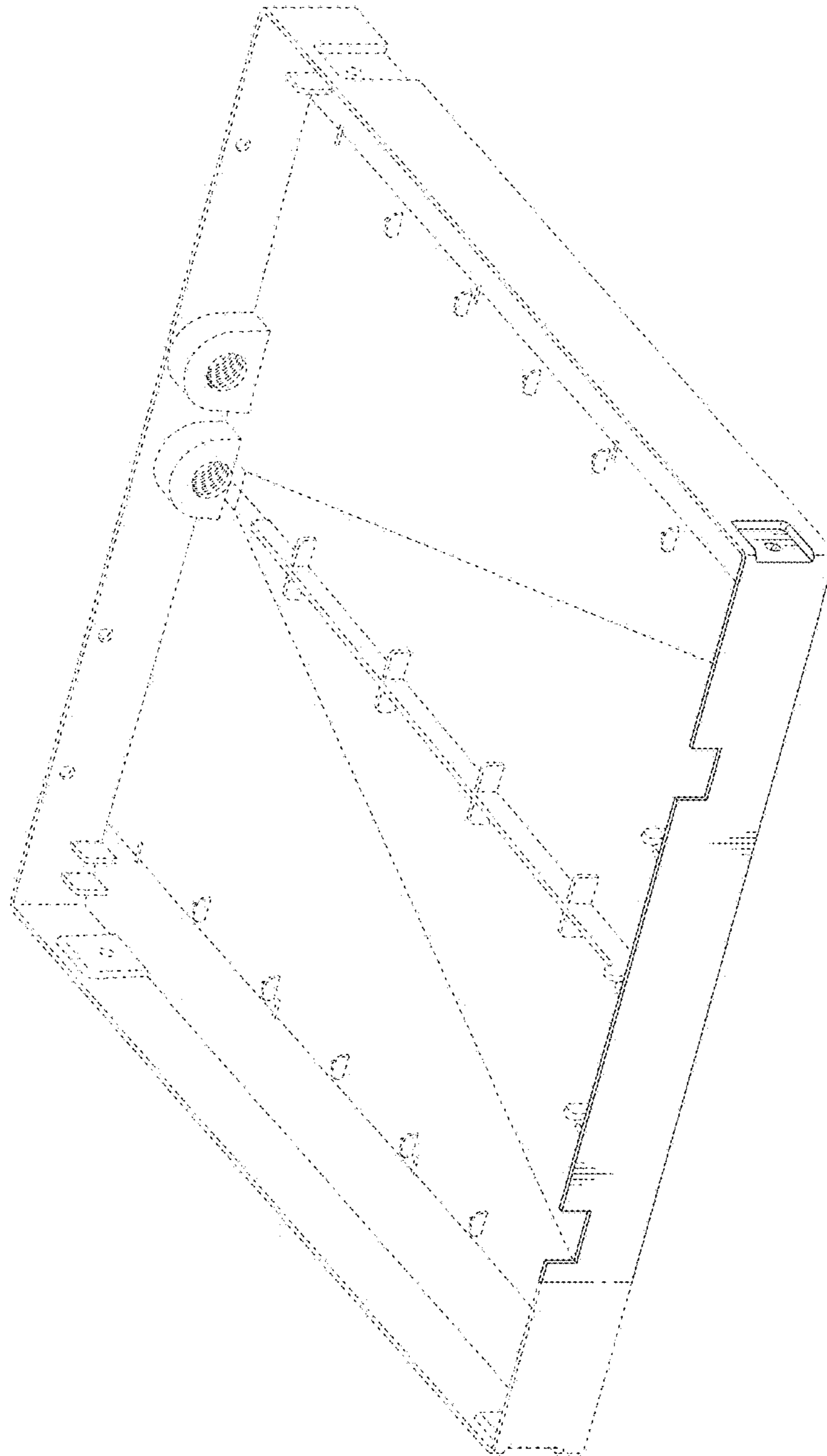


Fig. 2

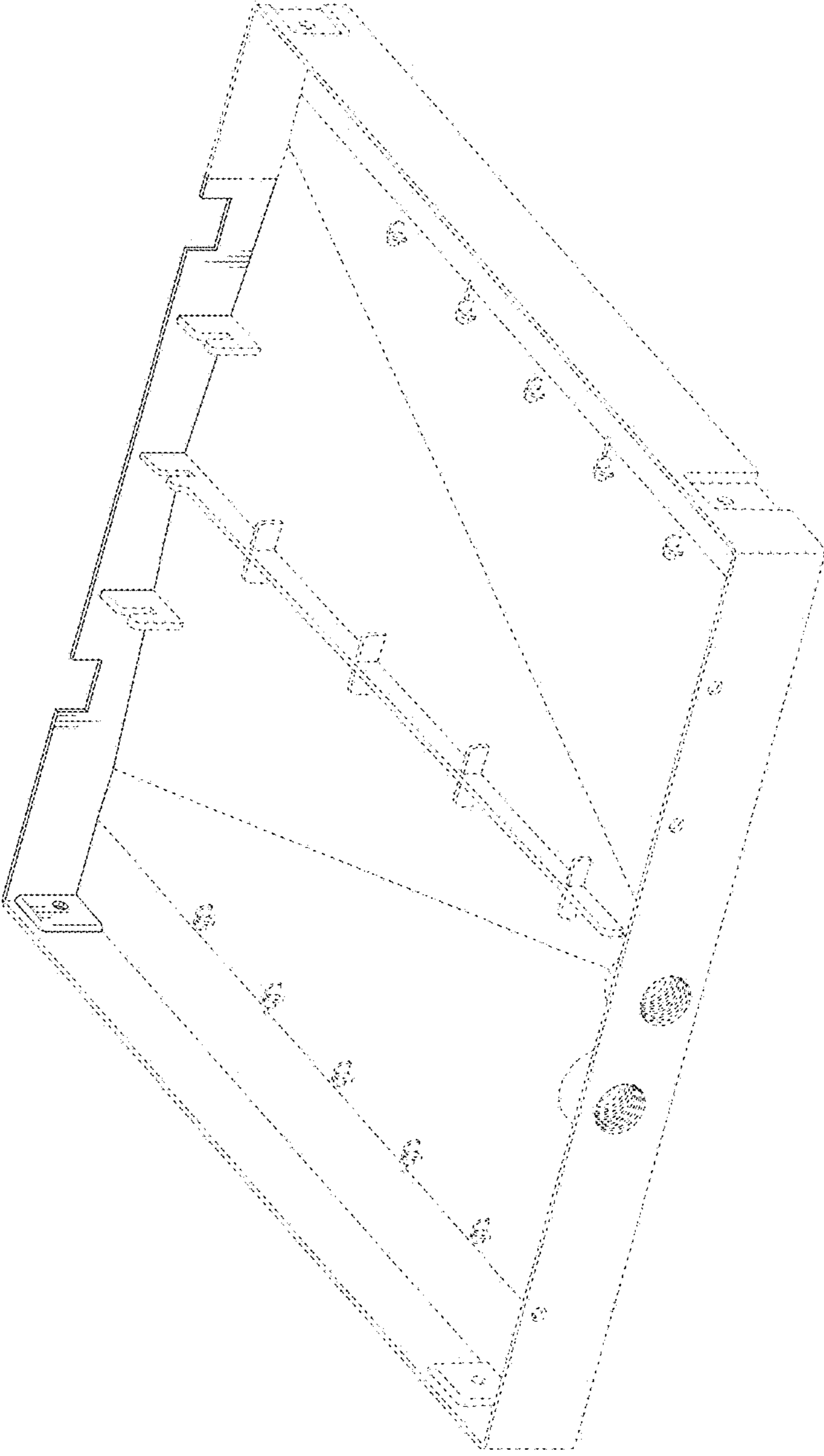


Fig. 3

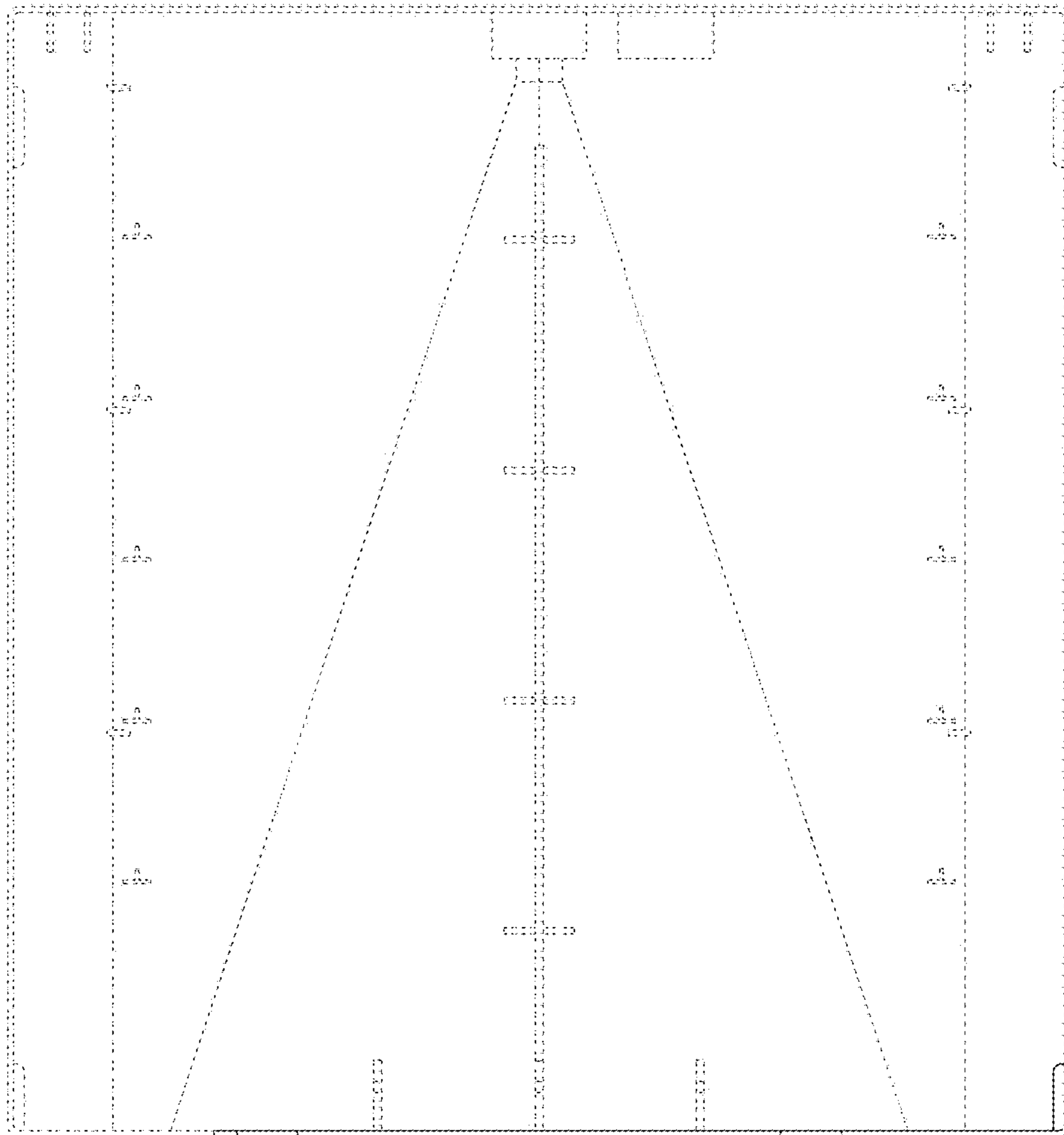


Fig. 4

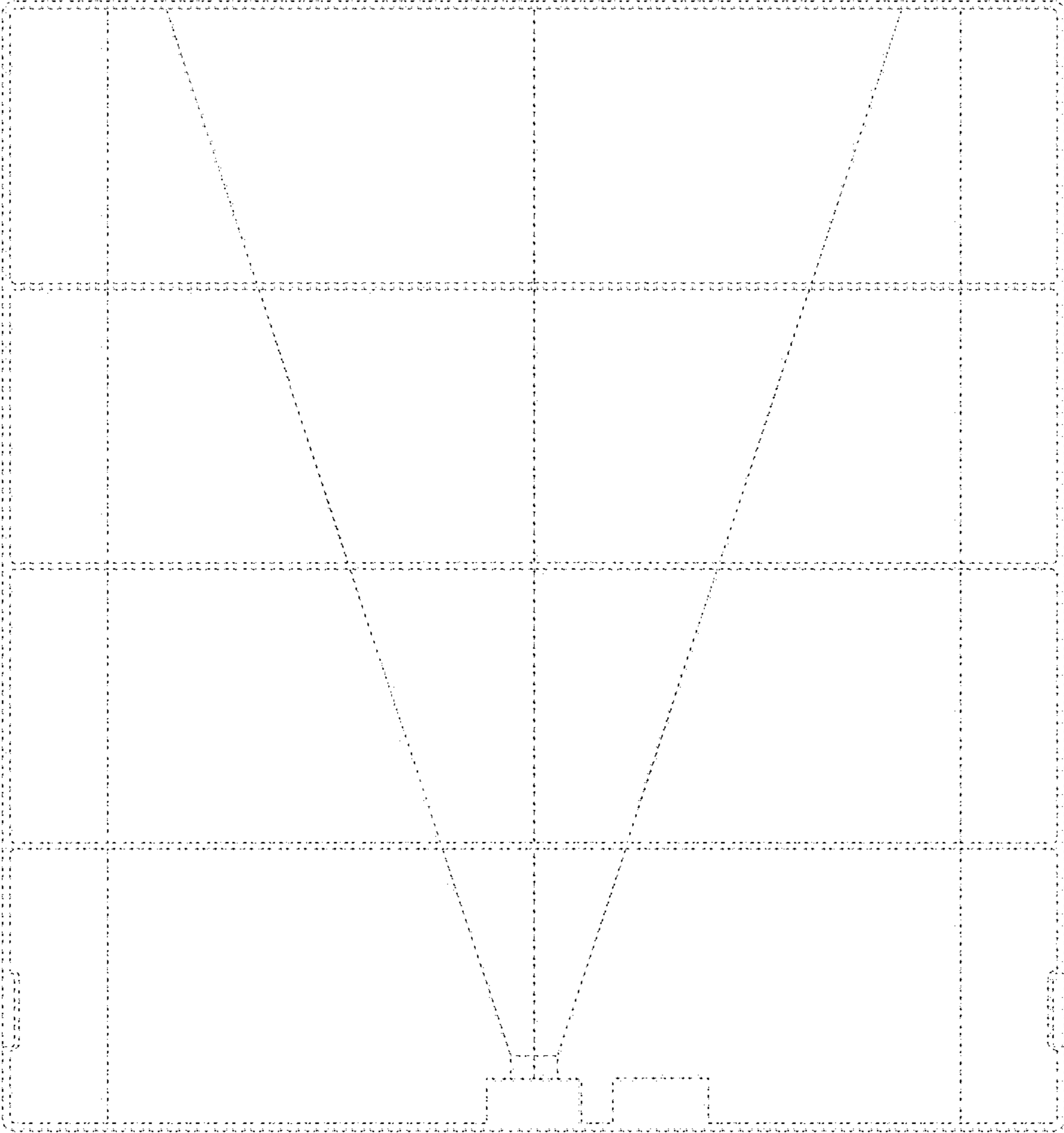


Fig. 6

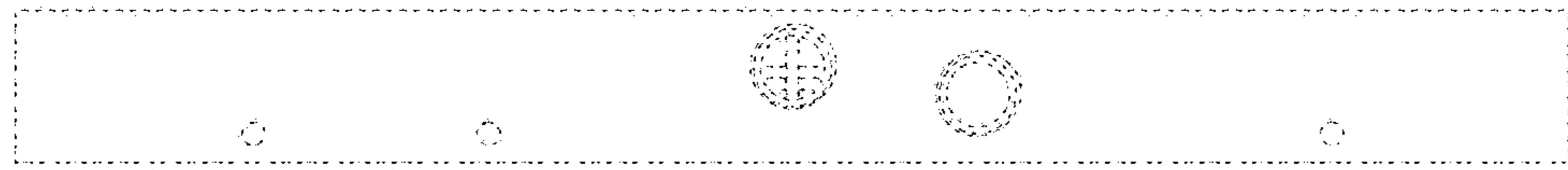


Fig. 5

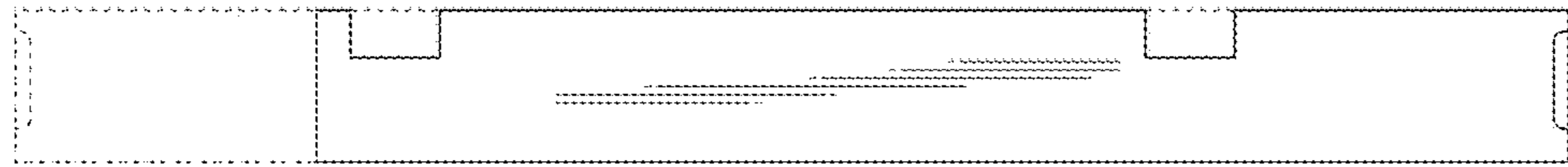


Fig. 7

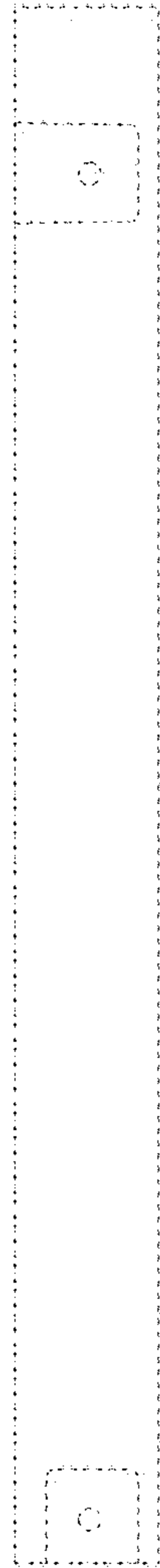


Fig. 8

