

US00D840005S

(12) **United States Design Patent** (10) **Patent No.:** **US D840,005 S**
Wieser et al. (45) **Date of Patent:** **** Feb. 5, 2019**

- (54) **BASIN**
- (71) Applicant: **Bradley Fixtures Corporation**,
Menomonee Falls, WI (US)
- (72) Inventors: **Matthias Wieser**, Wendlingen (DE);
Pablo Bernal Ruesta, Stuttgart (DE);
Alexander Hoffart, Bindlach (DE);
Andreas Dimitriadis, Lorch (DE)
- (73) Assignee: **Bradley Fixtures Corporation**,
Menomonee Falls, WI (US)
- (**) Term: **15 Years**
- (21) Appl. No.: **29/627,896**
- (22) Filed: **Nov. 30, 2017**

Related U.S. Application Data

- (60) Continuation of application No. 29/607,773, filed on Jun. 16, 2017, now Pat. No. Des. 813,996, which is a division of application No. 29/562,620, filed on Apr. 27, 2016.
- (51) **LOC (11) Cl.** **23-02**
- (52) **U.S. Cl.**
USPC **D23/290**
- (58) **Field of Classification Search**
USPC D23/284–293.1, 303, 308
CPC A47K 1/04; A47B 77/06; A47J 47/20
See application file for complete search history.

(56) **References Cited**

U.S. PATENT DOCUMENTS

- 2,442,070 A * 5/1948 Bouchard A47F 3/08
108/149
- D545,415 S * 6/2007 Tani D23/293.1
- D560,782 S * 1/2008 Marshall D23/293.1
- D603,487 S * 11/2009 Aso D23/293.1
- D625,792 S * 10/2010 Rundberg D23/308

- D629,877 S * 12/2010 Rundberg D23/308
- D721,426 S * 1/2015 Bartlett D23/290
- D735,837 S * 8/2015 Bartlett D23/290
- D735,838 S * 8/2015 Bartlett D23/290
- D745,120 S * 12/2015 Adkison D23/284
- D745,122 S * 12/2015 Schonherr D23/284
- D745,646 S * 12/2015 Schonherr D23/284
- 2010/0168926 A1 * 7/2010 Bayley E03C 1/02
700/282

* cited by examiner

Primary Examiner — Brandon M Rosati

Assistant Examiner — John A Voytek

(74) *Attorney, Agent, or Firm* — Boyle Fredrickson, S.C.

(57) **CLAIM**

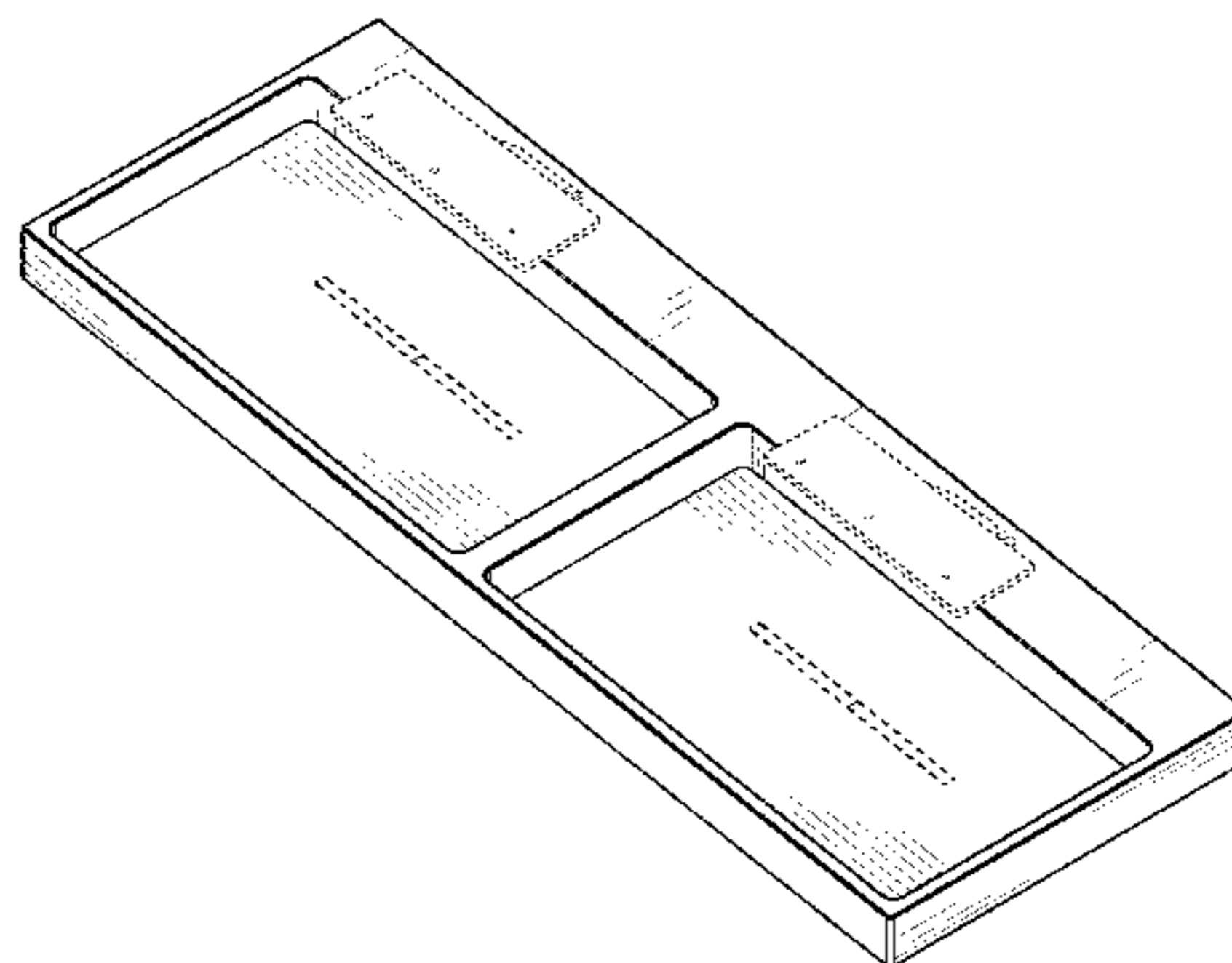
The ornamental design for a basin, substantially, as shown and described.

DESCRIPTION

FIG. 1 is a raised perspective view of a first embodiment of a basin having mounted thereon a pair of lavatory fixtures; FIG. 2 is a front view of the basin of the first embodiment as shown in FIG. 1; FIG. 3 is a top view of the basin of the first embodiment as shown in FIG. 1; FIG. 4 is a side view of the basin of the first embodiment as shown in FIG. 1; FIG. 5 is a raised perspective view of a second embodiment of a basin having mounted thereon a pair of lavatory fixtures; FIG. 6 is a top view of the basin of the second embodiment as shown in FIG. 5; FIG. 7 is a front view of the basin of the second embodiment as shown in FIG. 5; and, FIG. 8 is a side view of the basin of the second embodiment as shown in FIG. 5.

The broken lines show portions of the article that form no part of the claim.

1 Claim, 4 Drawing Sheets



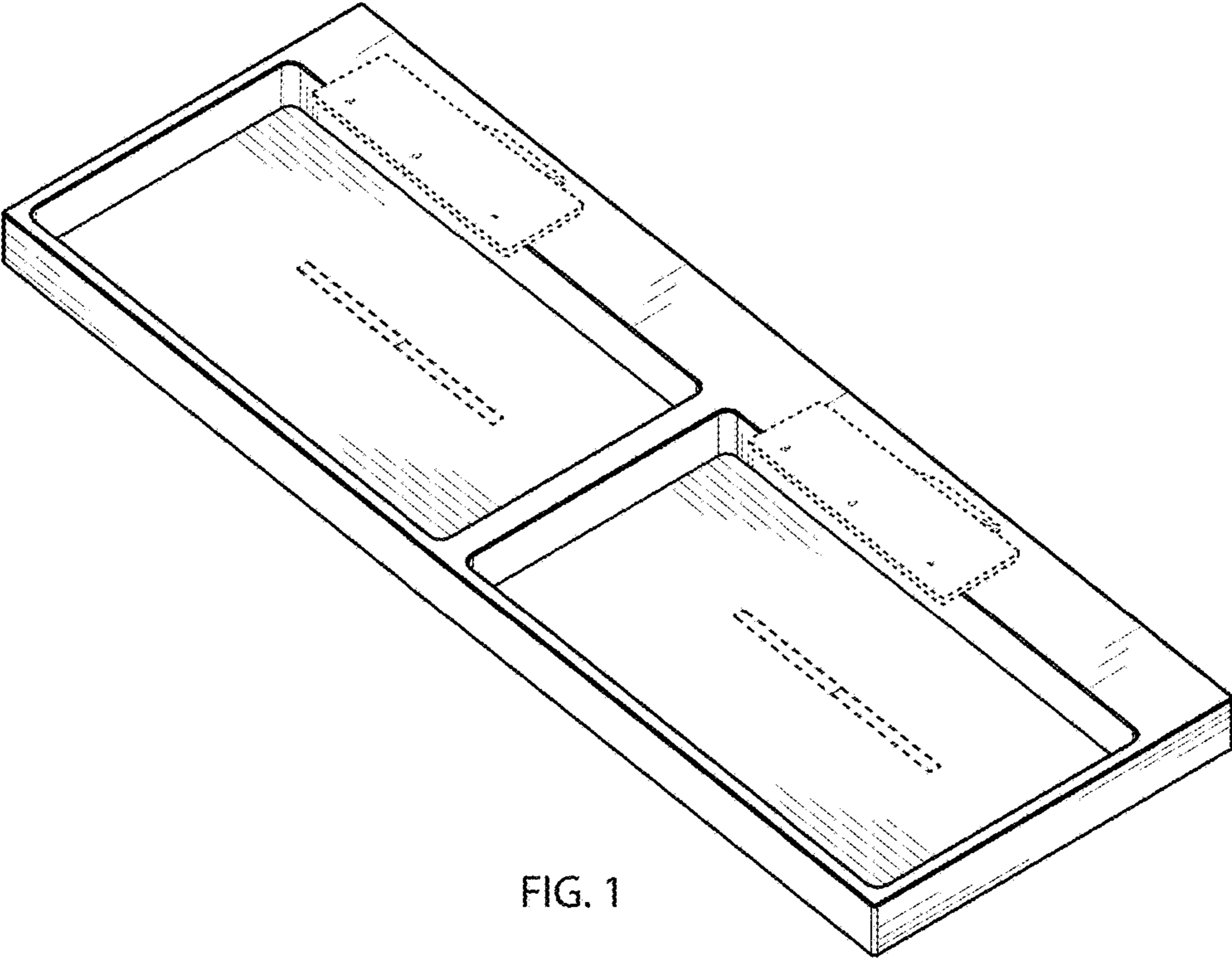


FIG. 1

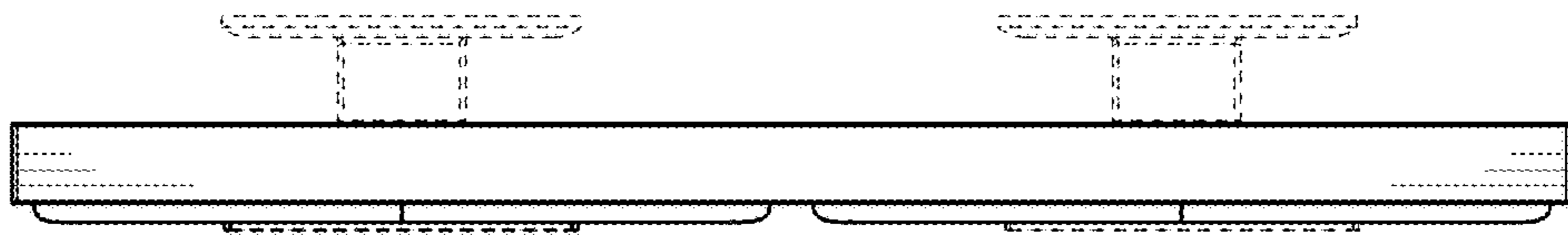


FIG. 2

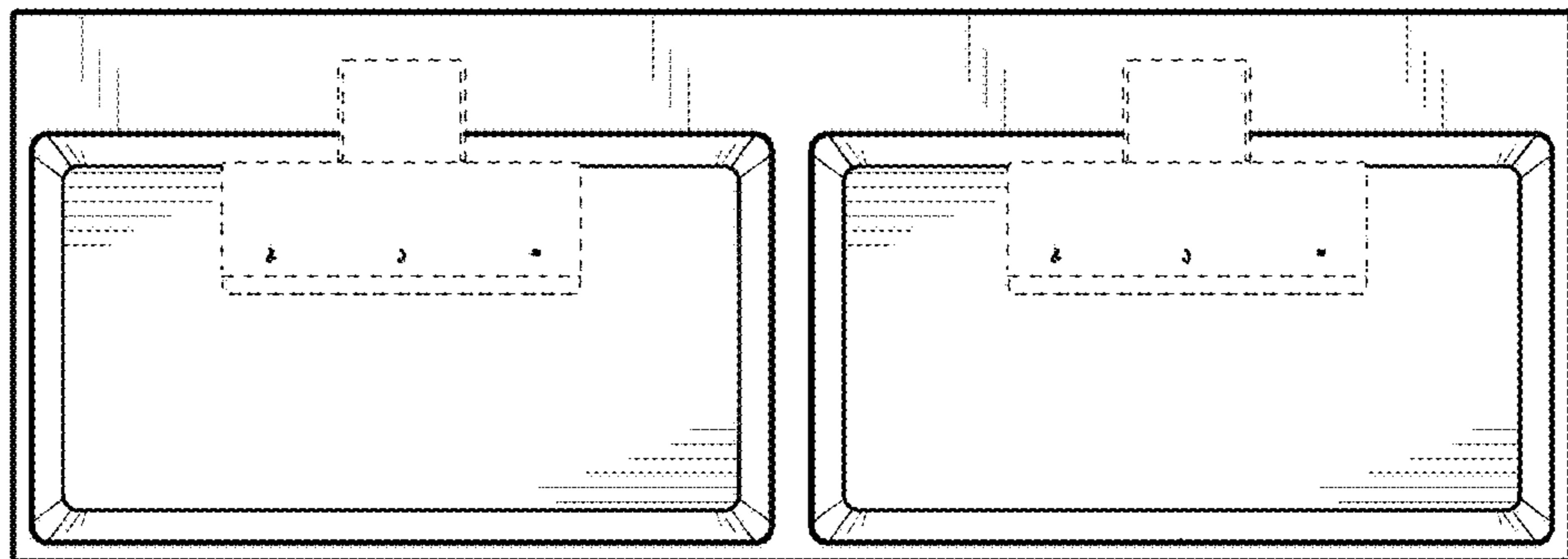


FIG. 3



FIG. 4

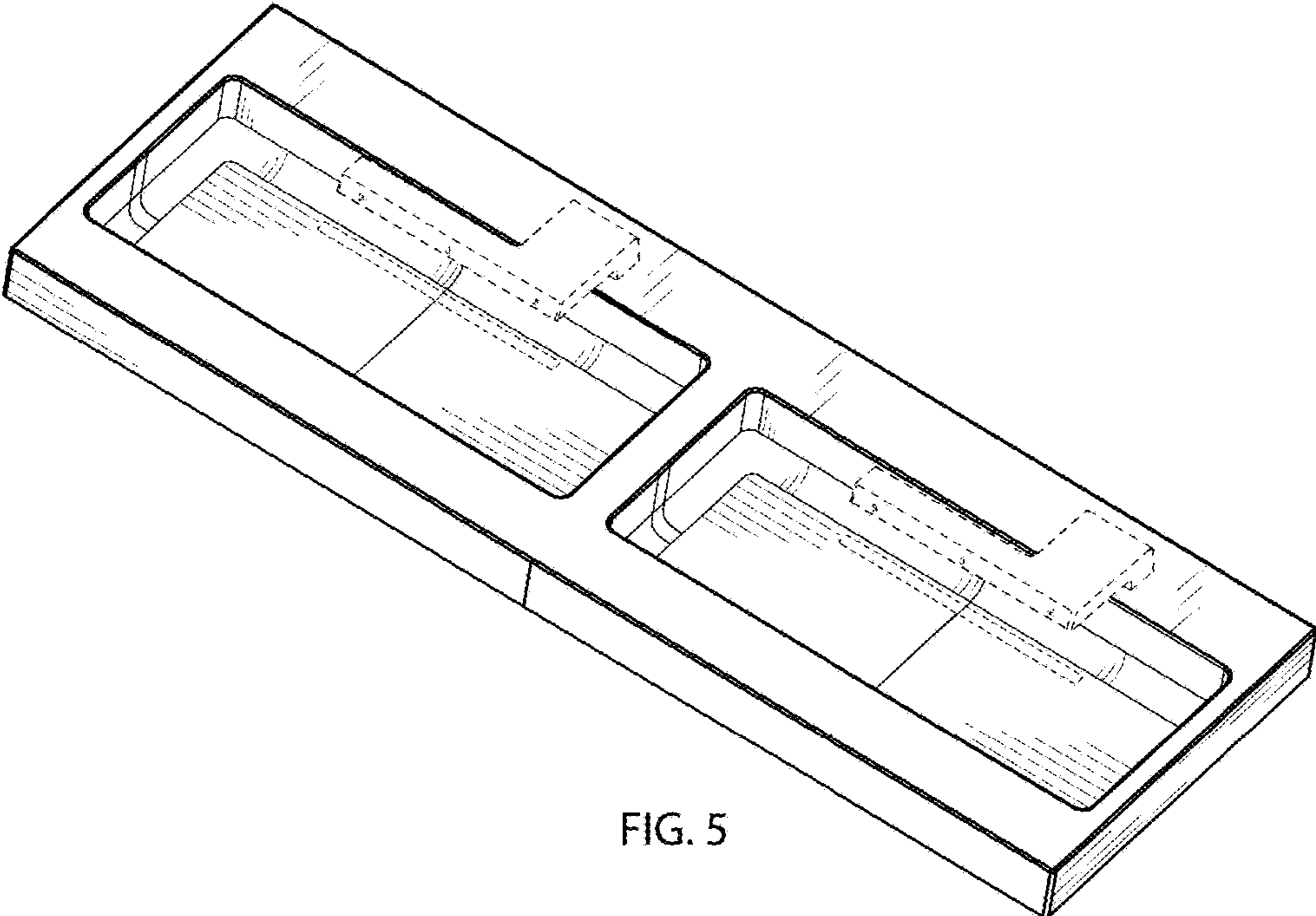


FIG. 5

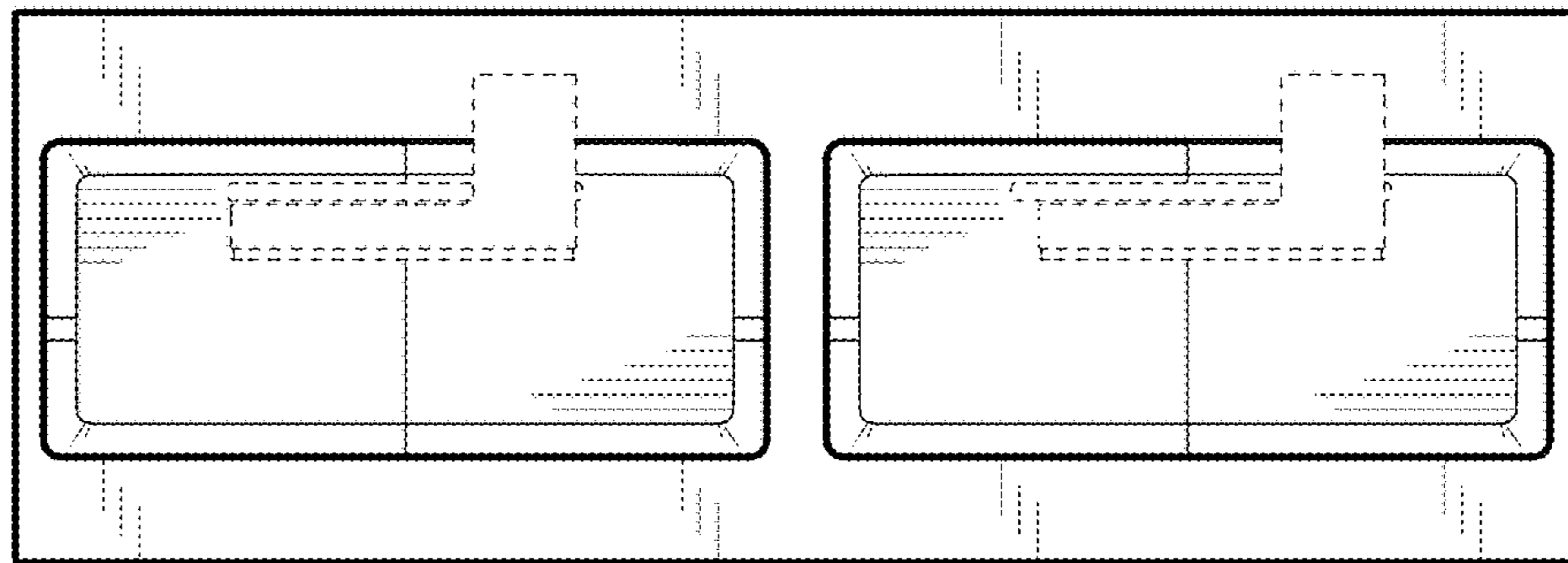


FIG. 6



FIG. 7

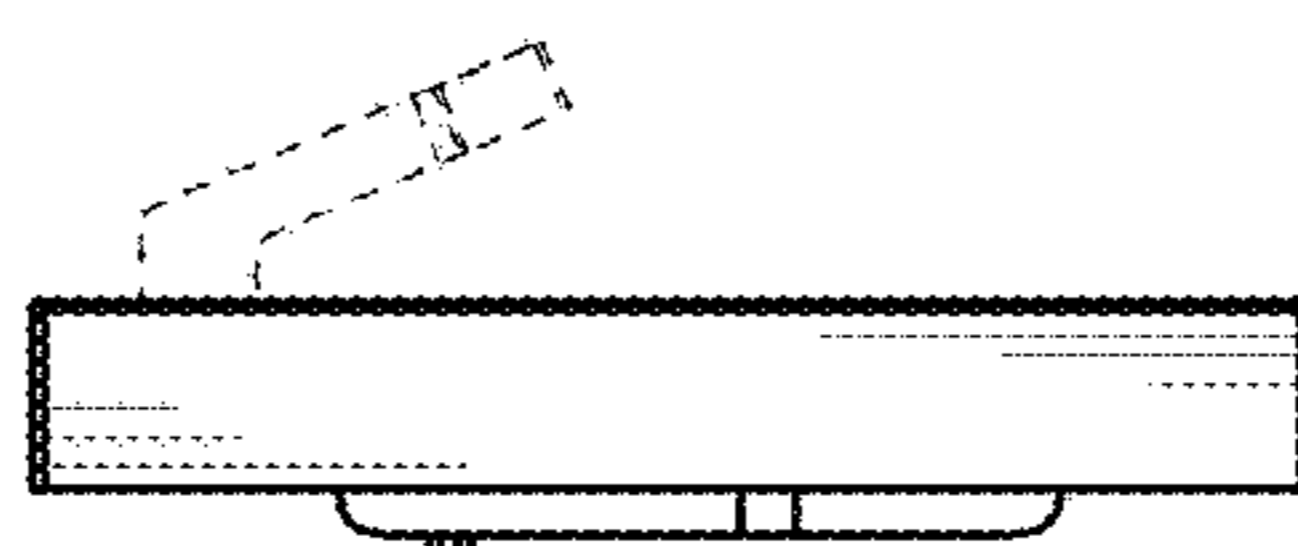


FIG. 8