



US00D840004S

(12) **United States Design Patent**  
**Richter**

(10) **Patent No.:** **US D840,004 S**

(45) **Date of Patent:** **\*\* Feb. 5, 2019**

(54) **WASHBASIN**

D697,596 S \* 1/2014 Spangler ..... D23/293.1  
D797,907 S \* 9/2017 Esteve ..... D23/293.1

(71) Applicant: **Duravit Aktiengesellschaft**, Hornberg (DE)

\* cited by examiner

(72) Inventor: **Frank Richter**, Hornberg (DE)

*Primary Examiner* — Robert A Delehanty

(73) Assignee: **Duravit Aktiengesellschaft**, Hornberg (DE)

(74) *Attorney, Agent, or Firm* — Florek & Endres PLLC

(\*\*) Term: **15 Years**

(57) **CLAIM**

The ornamental design for a washbasin, as shown and described.

(21) Appl. No.: **29/613,943**

**DESCRIPTION**

(22) Filed: **Aug. 15, 2017**

FIG. 1 is a perspective view of the washbasin of the present invention.

(30) **Foreign Application Priority Data**

FIG. 2 is a top plan view of the washbasin of the present invention.

Feb. 15, 2017 (WO) ..... DM/095253

FIG. 3 is a bottom plan view of the washbasin of the present invention.

(51) **LOC (11) Cl.** ..... **23-02**

FIG. 4 is a front elevation view of the washbasin of the present invention.

(52) **U.S. Cl.**  
USPC ..... **D23/284**

FIG. 5 is a rear elevation view of the washbasin of the present invention.

(58) **Field of Classification Search**  
USPC ..... D23/284, 293.1, 303, 308  
CPC ..... E03C 1/18  
See application file for complete search history.

FIG. 6 is a right side elevation view of the washbasin of the present invention; and,

(56) **References Cited**

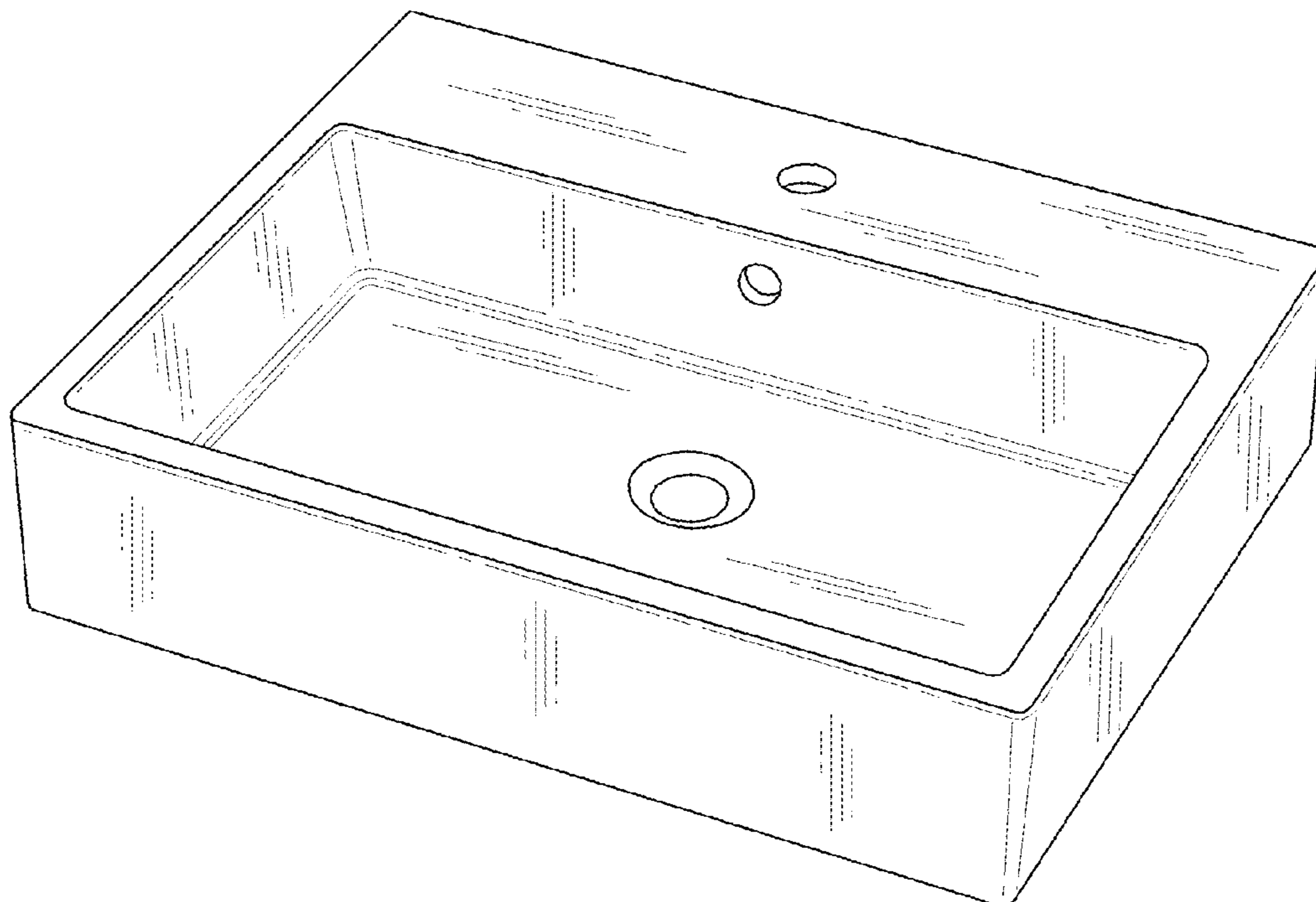
FIG. 7 is a left side elevation view of the washbasin of the present invention.

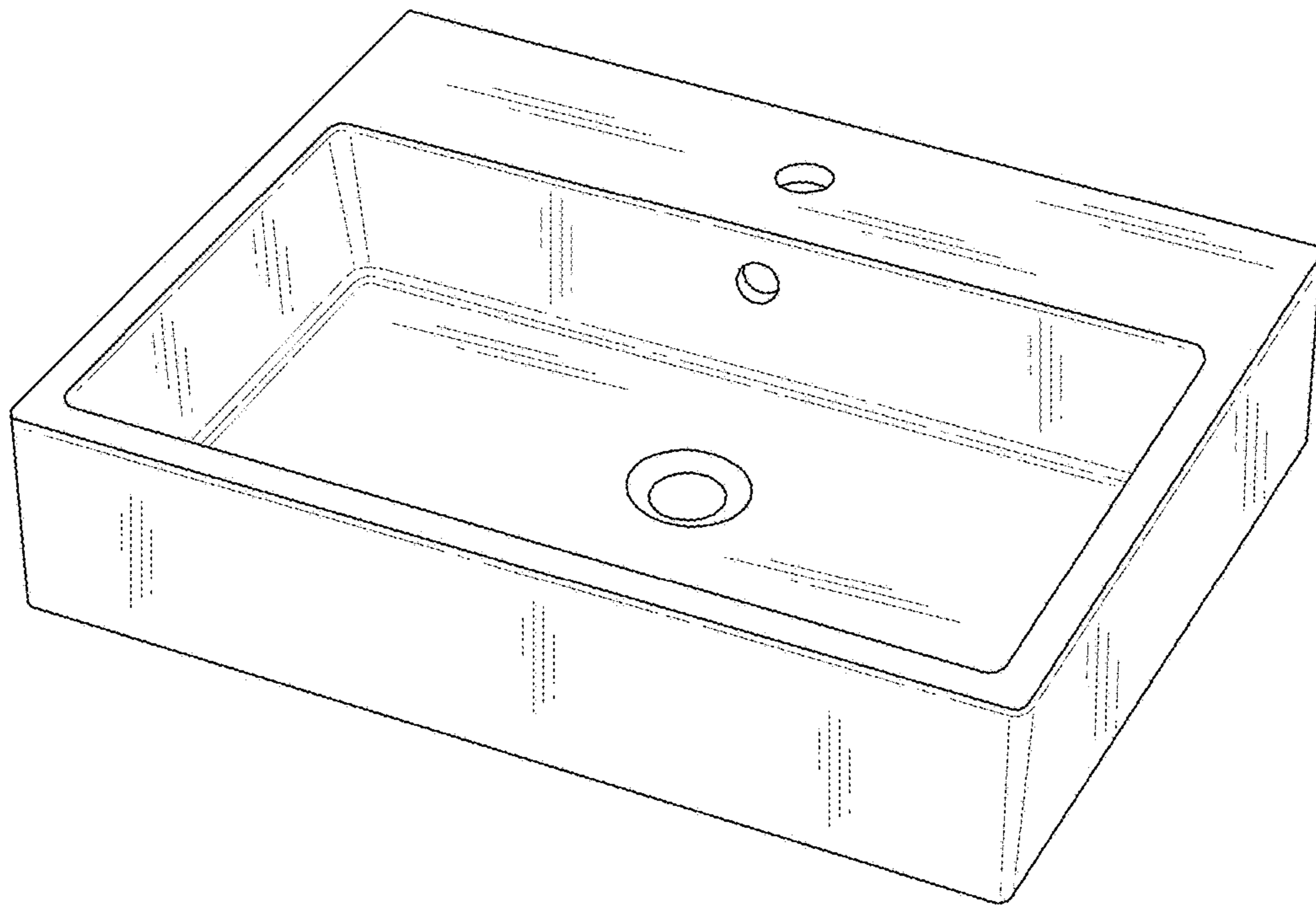
**U.S. PATENT DOCUMENTS**

The broken lines shown in the drawings represent unclaimed portions of the washbasin and forms no part of the claimed design.

D473,293 S \* 4/2003 Piatt ..... D23/293.1  
D636,855 S \* 4/2011 Thomas ..... D23/293.1

**1 Claim, 4 Drawing Sheets**





*FIG. 1*

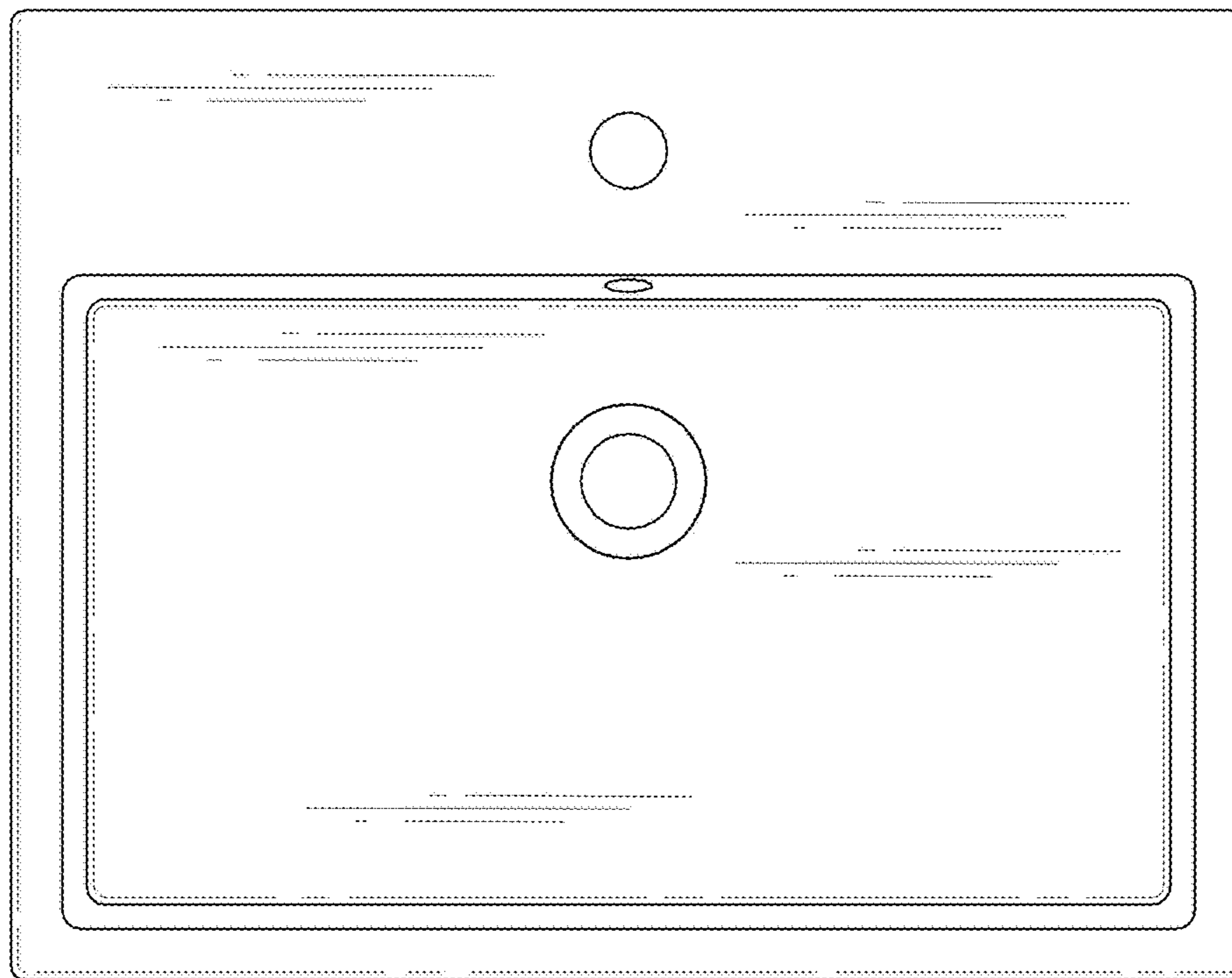


FIG. 2

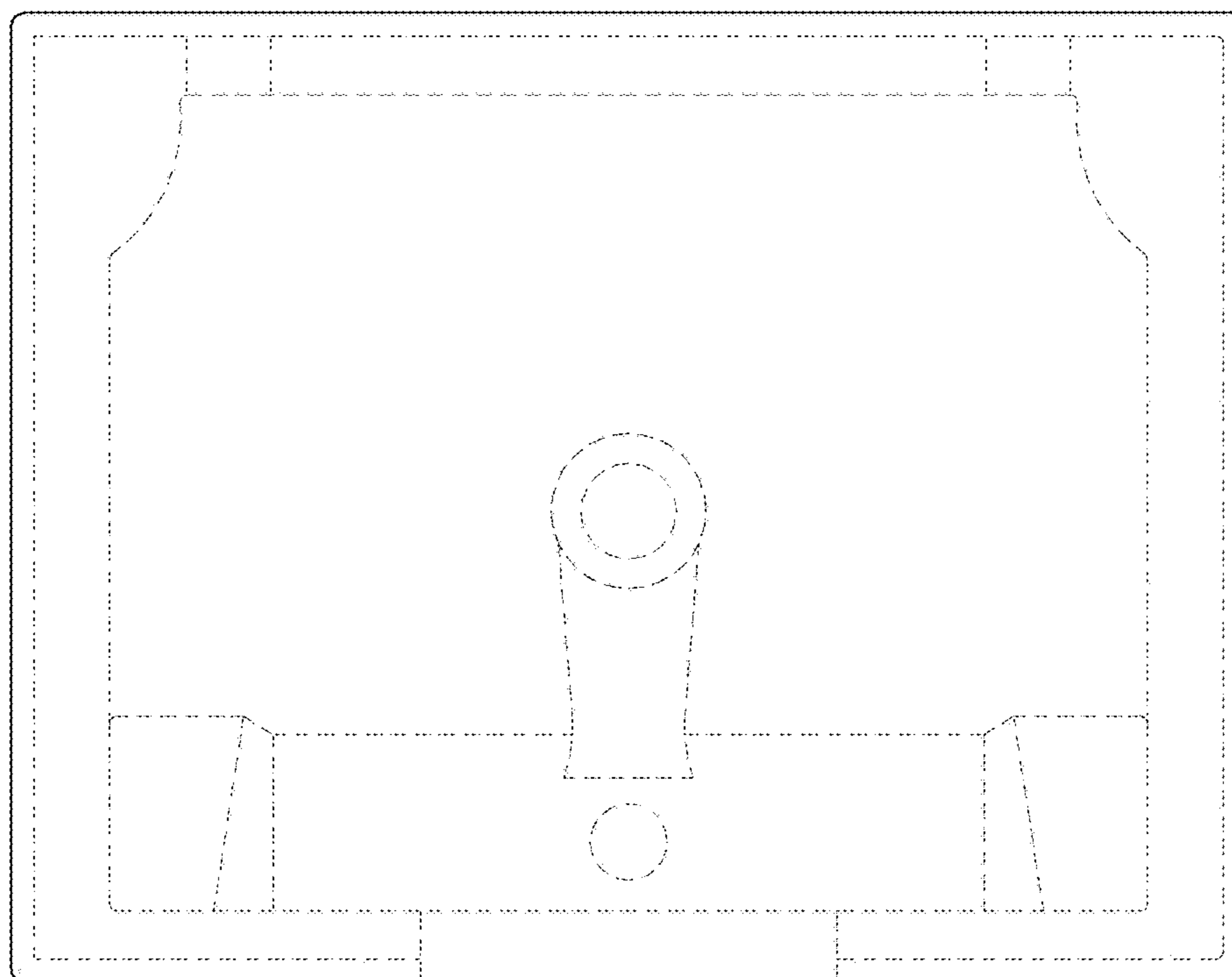
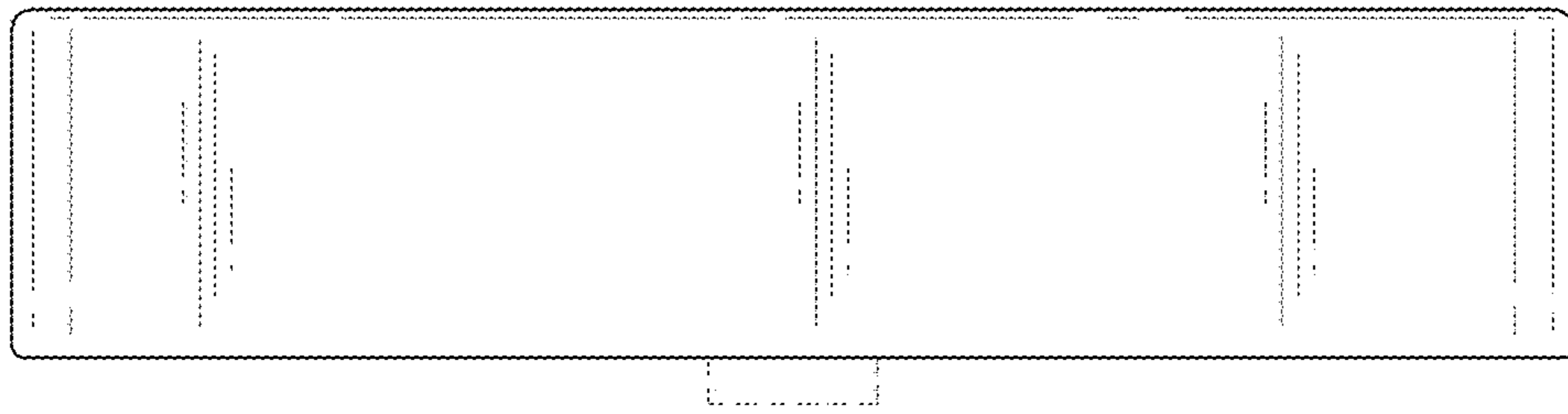
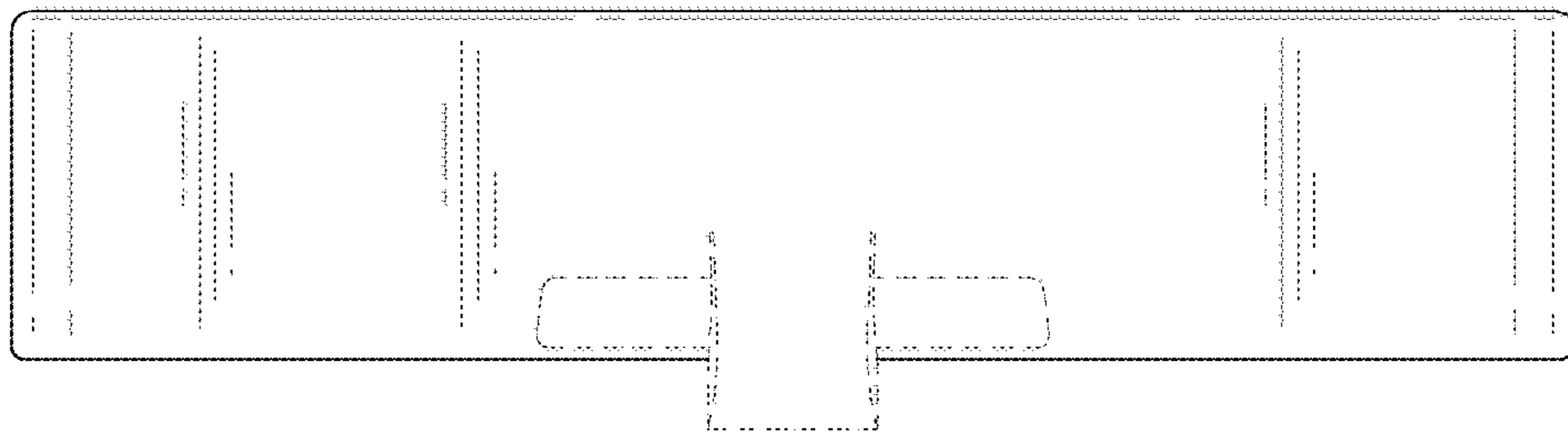


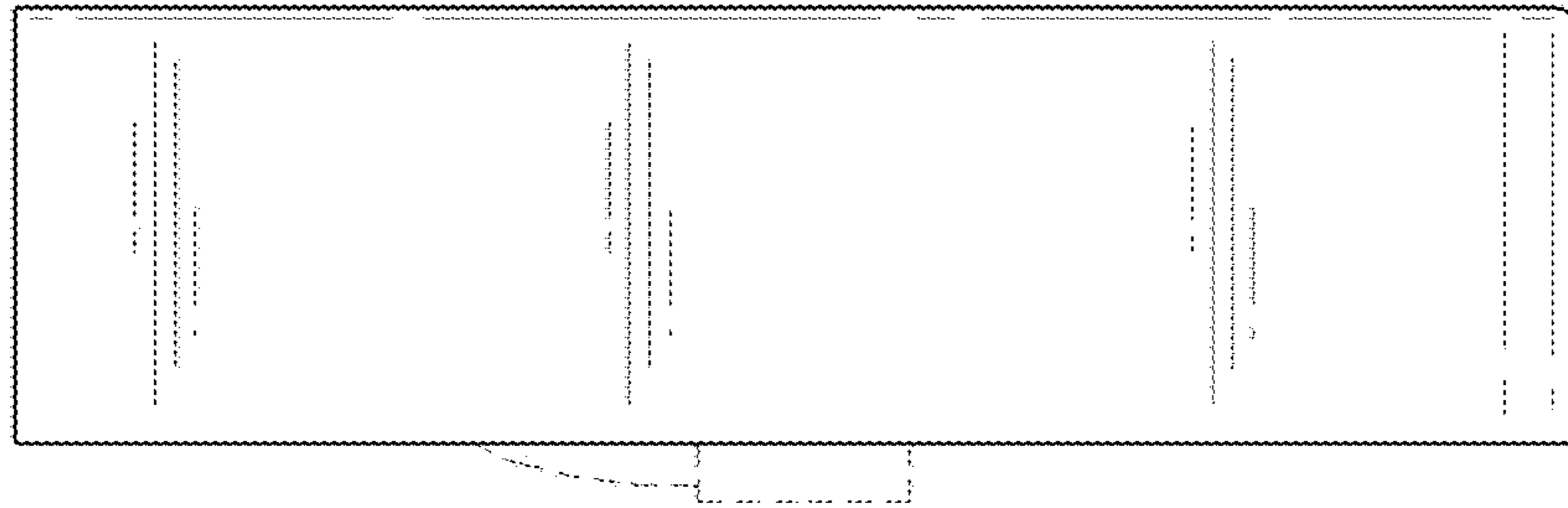
FIG. 3



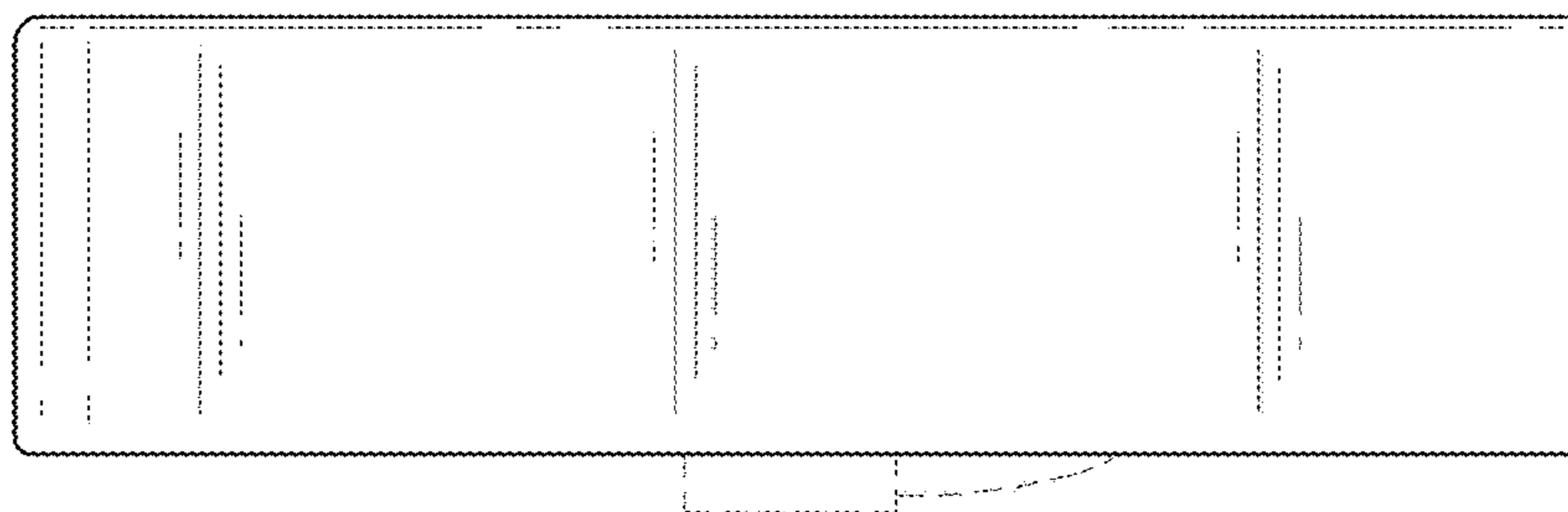
*FIG. 4*



*FIG. 5*



*FIG. 6*



*FIG. 7*