



US00D840003S

(12) **United States Design Patent** (10) **Patent No.:** **US D840,003 S**  
**Starck** (45) **Date of Patent:** **\*\* Feb. 5, 2019**

(54) **WASHBASIN**

(71) Applicant: **Duravit Aktiengesellschaft**, Hornberg (DE)

(72) Inventor: **Philippe Starck**, Paris (FR)

(73) Assignee: **Duravit Aktiengesellschaft**, Hornberg (DE)

(\*\*) Term: **15 Years**

(21) Appl. No.: **29/613,940**

(22) Filed: **Aug. 15, 2017**

(30) **Foreign Application Priority Data**

Feb. 15, 2017 (WO) ..... DM/095253

(51) **LOC (11) Cl.** ..... **23-02**

(52) **U.S. Cl.**  
USPC ..... **D23/284**

(58) **Field of Classification Search**  
USPC ..... D23/284, 293.1, 303, 308  
CPC ..... E03C 1/18  
See application file for complete search history.

(56) **References Cited**

**U.S. PATENT DOCUMENTS**

D538,905 S \* 3/2007 Wano ..... D23/293.1

D812,728 S \* 3/2018 Kergoet ..... D23/293.1

\* cited by examiner

*Primary Examiner* — Robert A Delehanty

(74) *Attorney, Agent, or Firm* — Florek & Endres PLLC

(57) **CLAIM**

I claim the ornamental design for a washbasin, as shown and described.

**DESCRIPTION**

FIG. 1 is a perspective view of the washbasin of the present invention.

FIG. 2 is a top plan view of the washbasin of the present invention.

FIG. 3 is a bottom plan view of the washbasin of the present invention.

FIG. 4 is a front elevation view of the washbasin of the present invention.

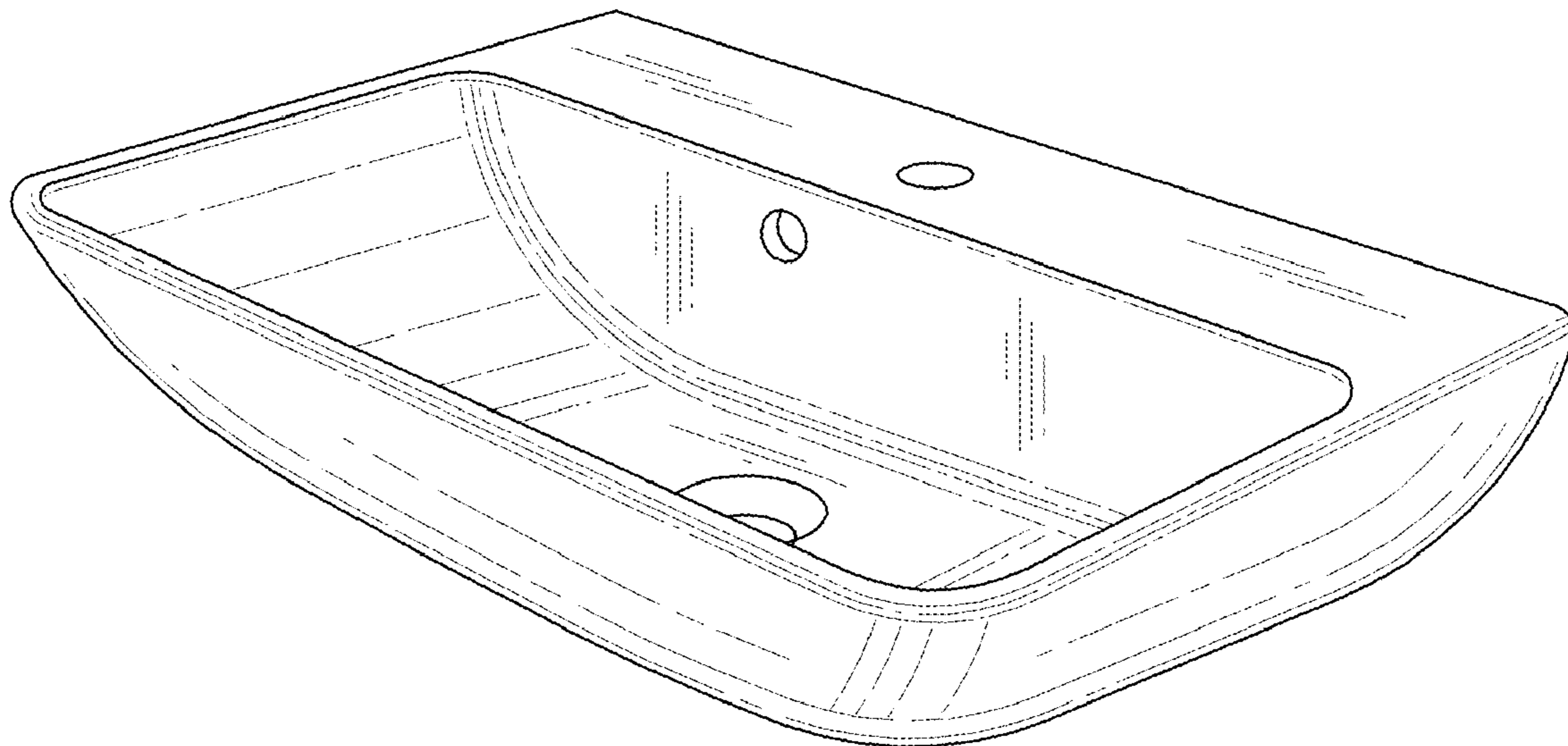
FIG. 5 is a rear elevation view of the washbasin of the present invention.

FIG. 6 is a right side elevation view of the washbasin of the present invention; and,

FIG. 7 is a left side elevation view of the washbasin of the present invention.

The broken lines shown in the drawings represent unclaimed portions of the washbasin and forms no part of the claimed design.

**1 Claim, 4 Drawing Sheets**



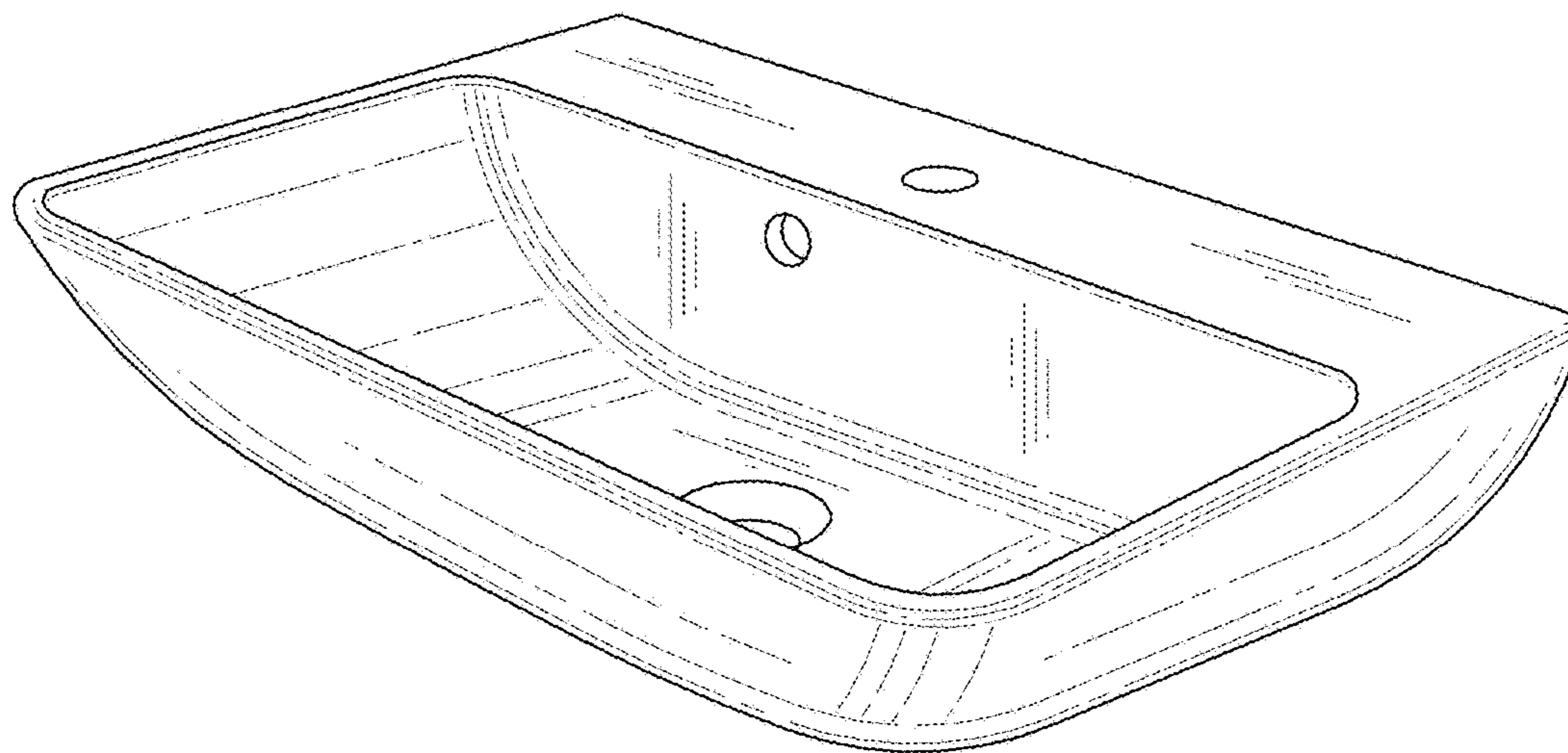


FIG. 1

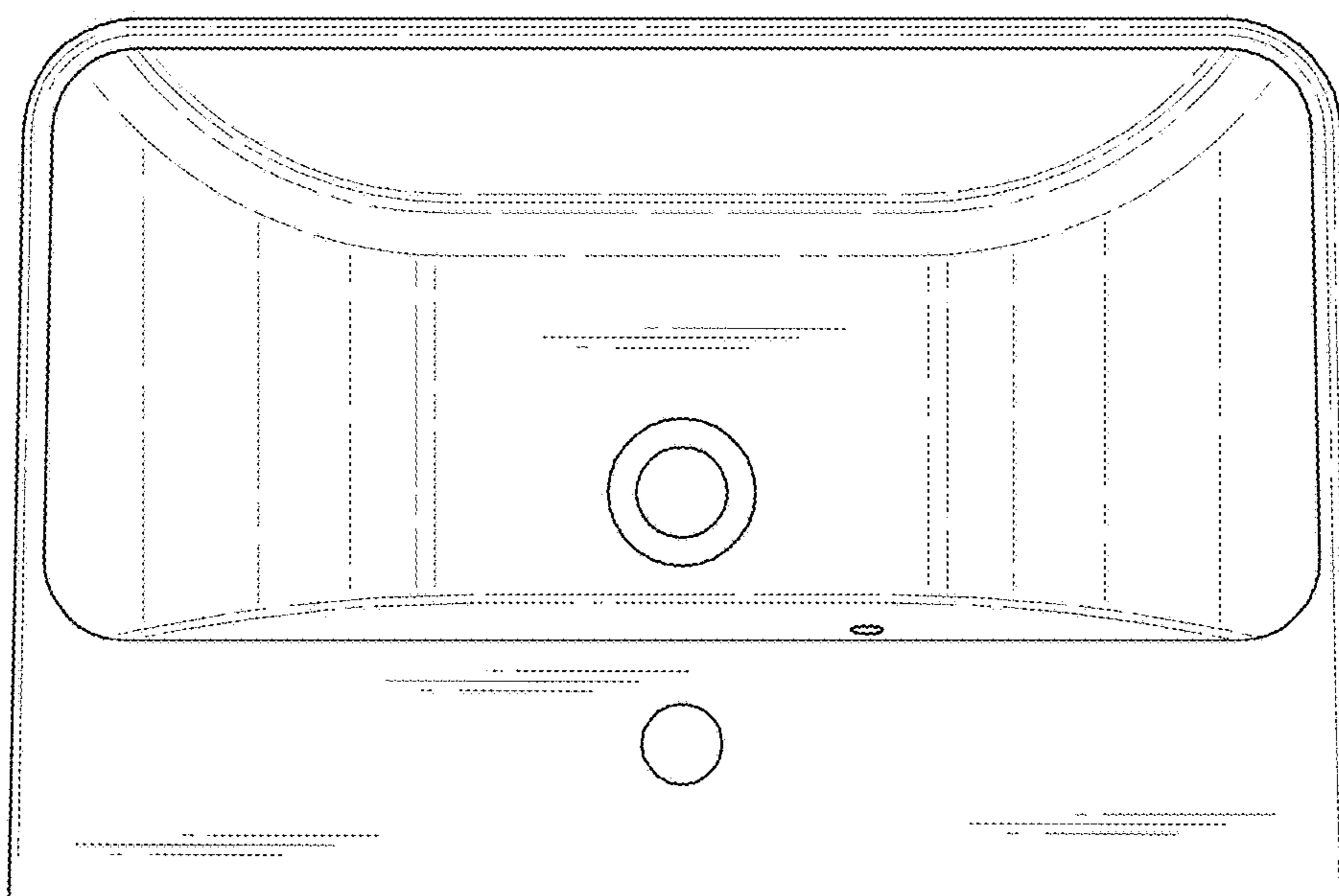
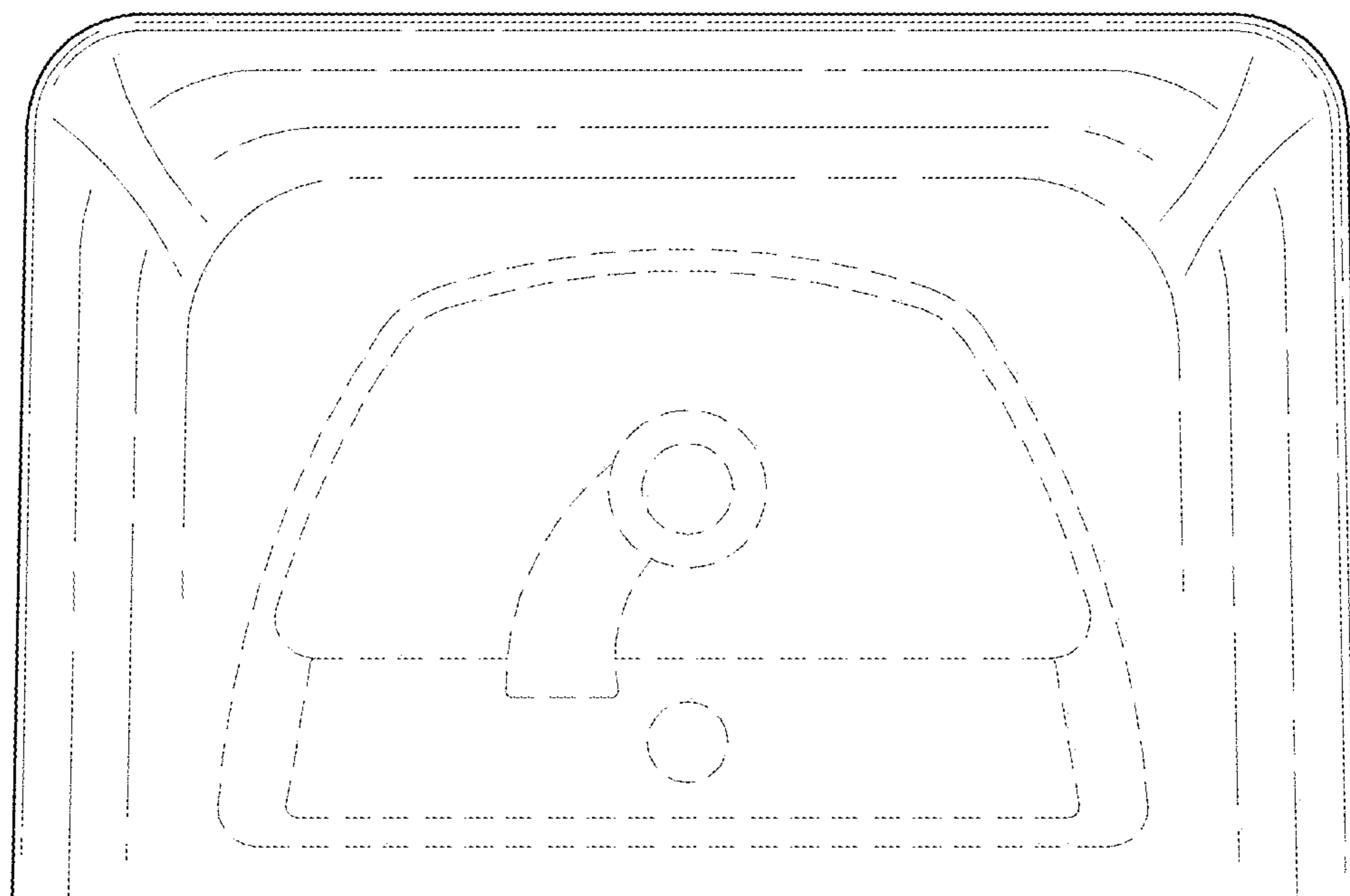
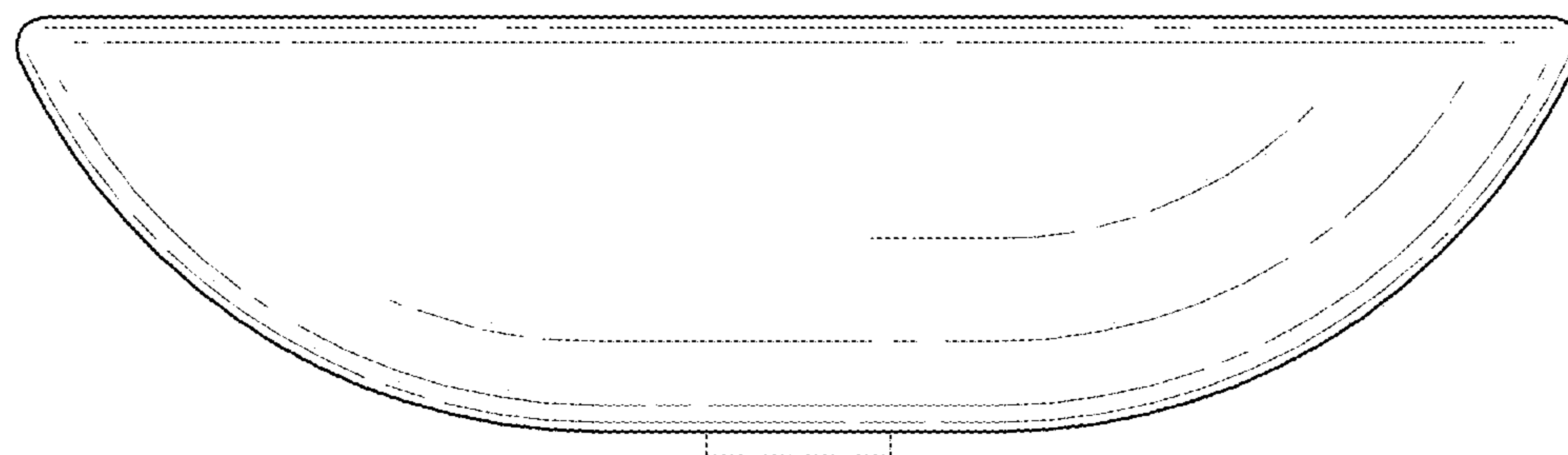


FIG. 2



*FIG. 3*



*FIG. 4*

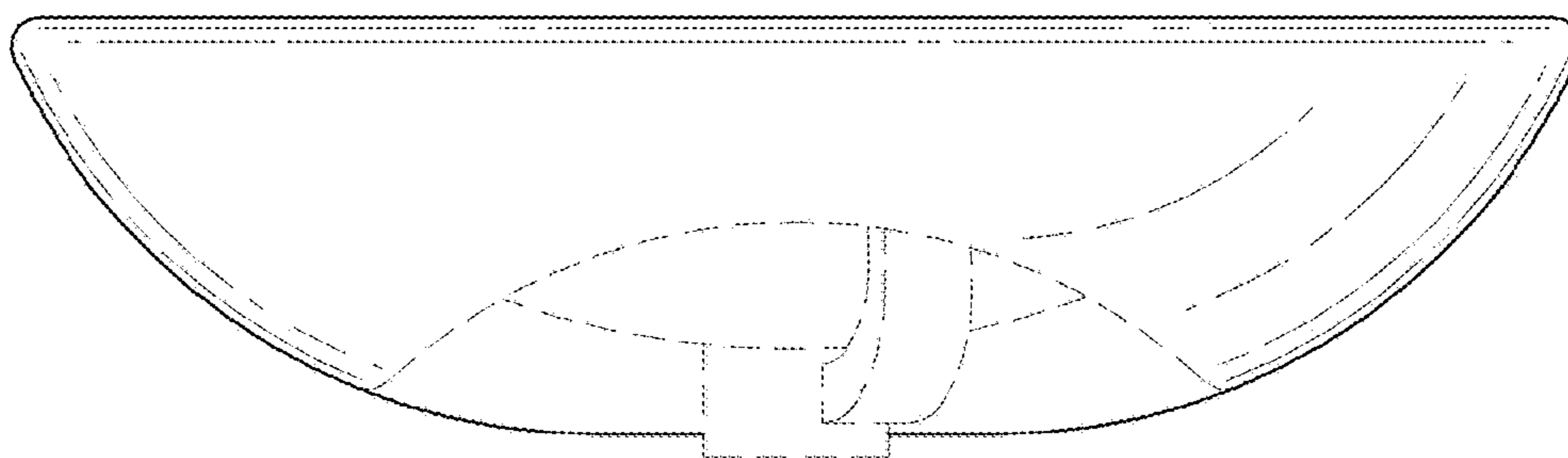


FIG. 5

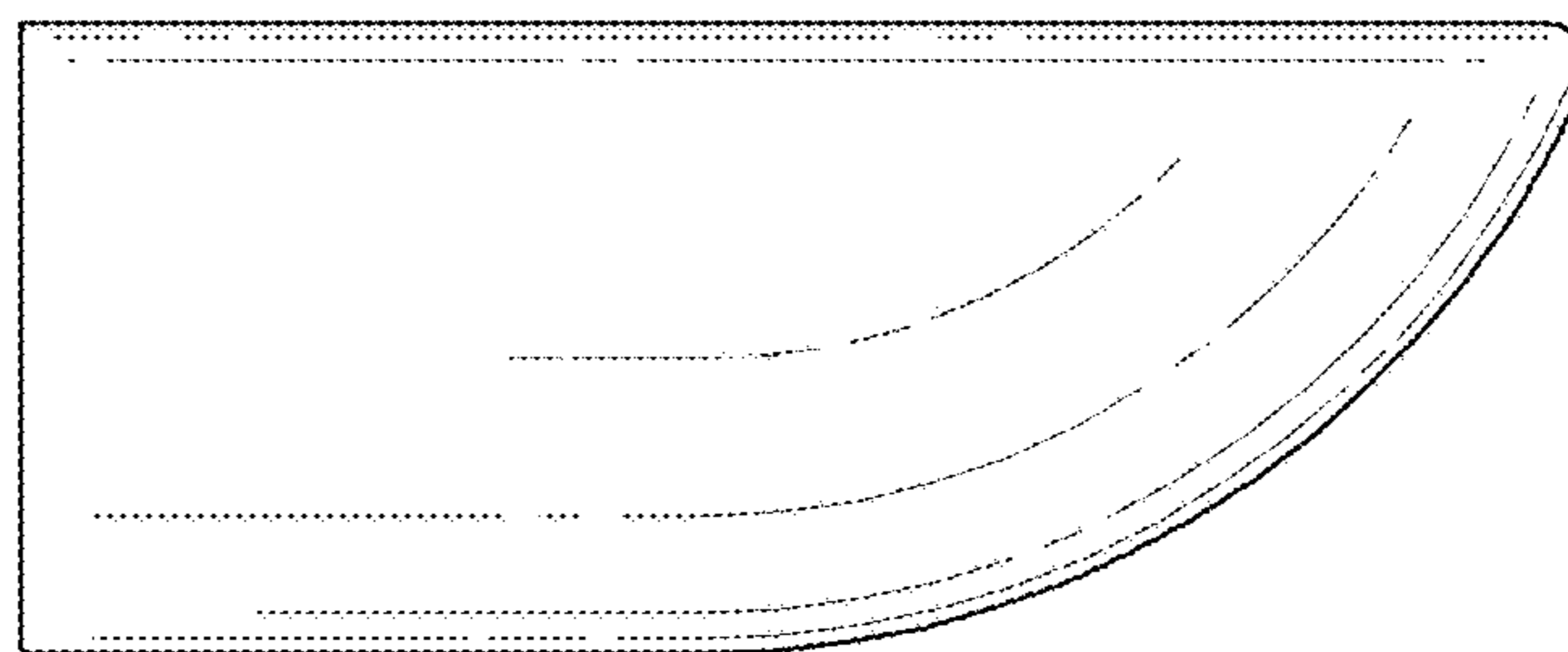
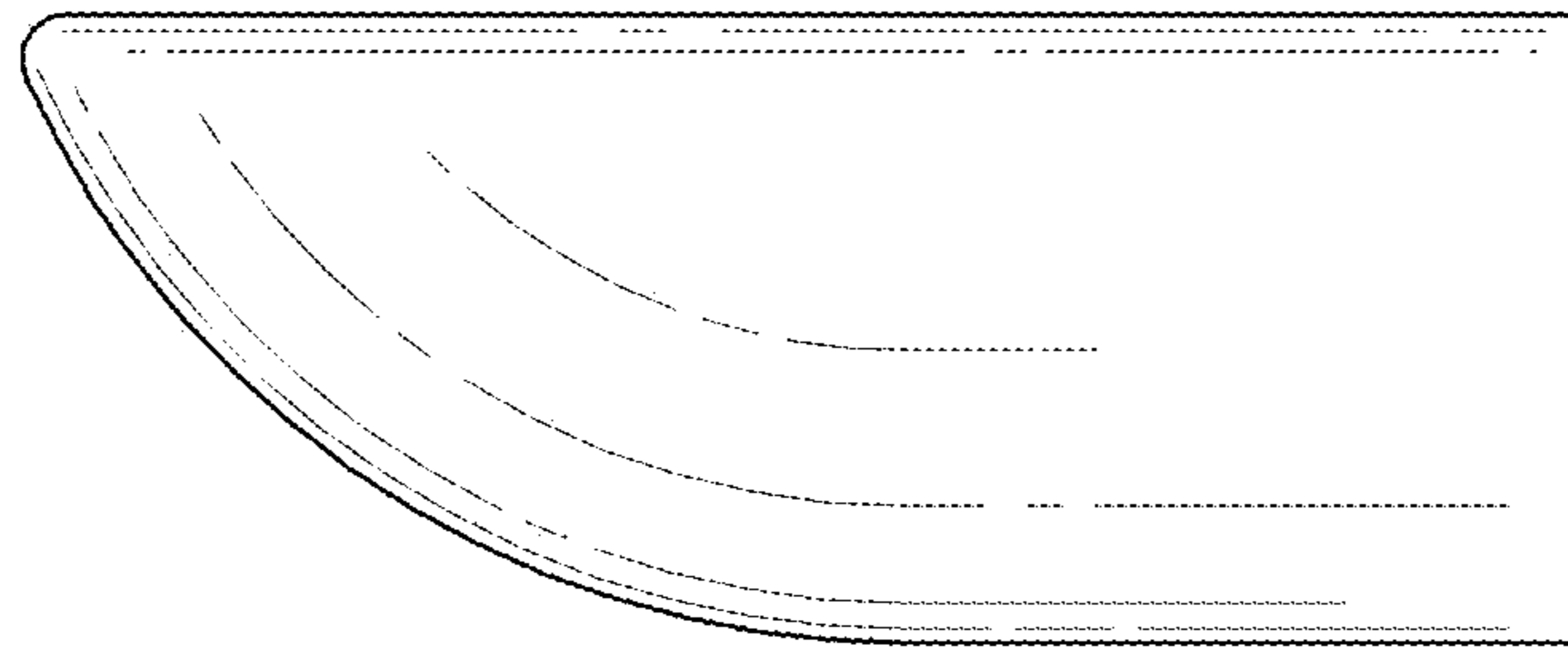


FIG. 6



*FIG. 7*