

US00D840001S

(12) **United States Design Patent**
Steylaerts

(10) **Patent No.:** **US D840,001 S**

(45) **Date of Patent:** **** Feb. 5, 2019**

(54) **SHOWER DRAIN**

(71) Applicant: **CARRODRAIN B.V.B.A.**,
Heist-op-den-Berg (BE)

(72) Inventor: **Peter Steylaerts**, Hulshout (BE)

(73) Assignee: **CARRODRAIN B.V.B.A.**,
Heist-op-den-Berg (BE)

(**) Term: **15 Years**

(21) Appl. No.: **29/586,033**

(22) Filed: **Nov. 30, 2016**

(30) **Foreign Application Priority Data**

May 31, 2016 (EM) 003165059

(51) **LOC (11) Cl.** **23-01**

(52) **U.S. Cl.**
USPC **D23/261**

(58) **Field of Classification Search**
USPC D23/259-261, 267-268, 388, 397, 400,
D23/406; 404/2-4; 210/163-164, 166;
(Continued)

(56) **References Cited**

U.S. PATENT DOCUMENTS

8,474,068 B2 * 7/2013 Kik, Sr. E03F 3/046
4/613
8,850,633 B2 * 10/2014 Erlebach A47K 3/40
4/679

(Continued)

Primary Examiner — Eric L Goodman

Assistant Examiner — Amy C Wierenga

(74) *Attorney, Agent, or Firm* — Clark & Elbing LLP

(57) **CLAIM**

The ornamental design for a shower drain, substantially as shown and described.

DESCRIPTION

FIG. 1 is a bottom perspective view of the shower drain embodying the claimed design.

FIG. 2 is a top perspective view of the shower drain.

FIG. 3 is a top perspective exploded view of the shower drain of FIG. 2.

FIG. 4 is a top view of the shower drain.

FIG. 5 is a bottom view of the shower drain.

FIG. 6 is a front view of the shower drain, a back view being a mirror image thereof.

FIG. 7 is a left side view of the shower drain, a right side view being a mirror image thereof.

FIG. 8 is an enlarged left side view of the shower drain of FIG. 7.

FIG. 9 is a bottom perspective view of the shower drain embodying the claimed design.

FIG. 10 is a top perspective view of the shower drain.

FIG. 11 is a top perspective exploded view of the shower drain of FIG. 10.

FIG. 12 is a top view of the shower drain.

FIG. 13 is a bottom view of the shower drain.

FIG. 14 is a front view of the shower drain, a back view being a mirror image thereof.

FIG. 15 is a left side view of the shower drain, a right side view being a mirror image thereof.

FIG. 16 is an enlarged left side view of the shower drain of FIG. 15.

FIG. 17 is a bottom perspective view of the shower drain embodying the claimed design.

FIG. 18 is a top perspective view of the shower drain.

FIG. 19 is a top perspective exploded view of the shower drain of FIG. 18.

FIG. 20 is a top view of the shower drain.

FIG. 21 is a bottom view of the shower drain.

FIG. 22 is a front view of the shower drain, a back view being a mirror image thereof.

FIG. 23 is a left side view of the shower drain, a right side view being a mirror image thereof.

FIG. 24 is an enlarged left side view of the shower drain of FIG. 23.

FIG. 25 is a bottom perspective view of the shower drain embodying the claimed design.

FIG. 26 is a top perspective view of the shower drain.

FIG. 27 is a top perspective exploded view of the shower drain of FIG. 26.

FIG. 28 is a top view of the shower drain.

(Continued)

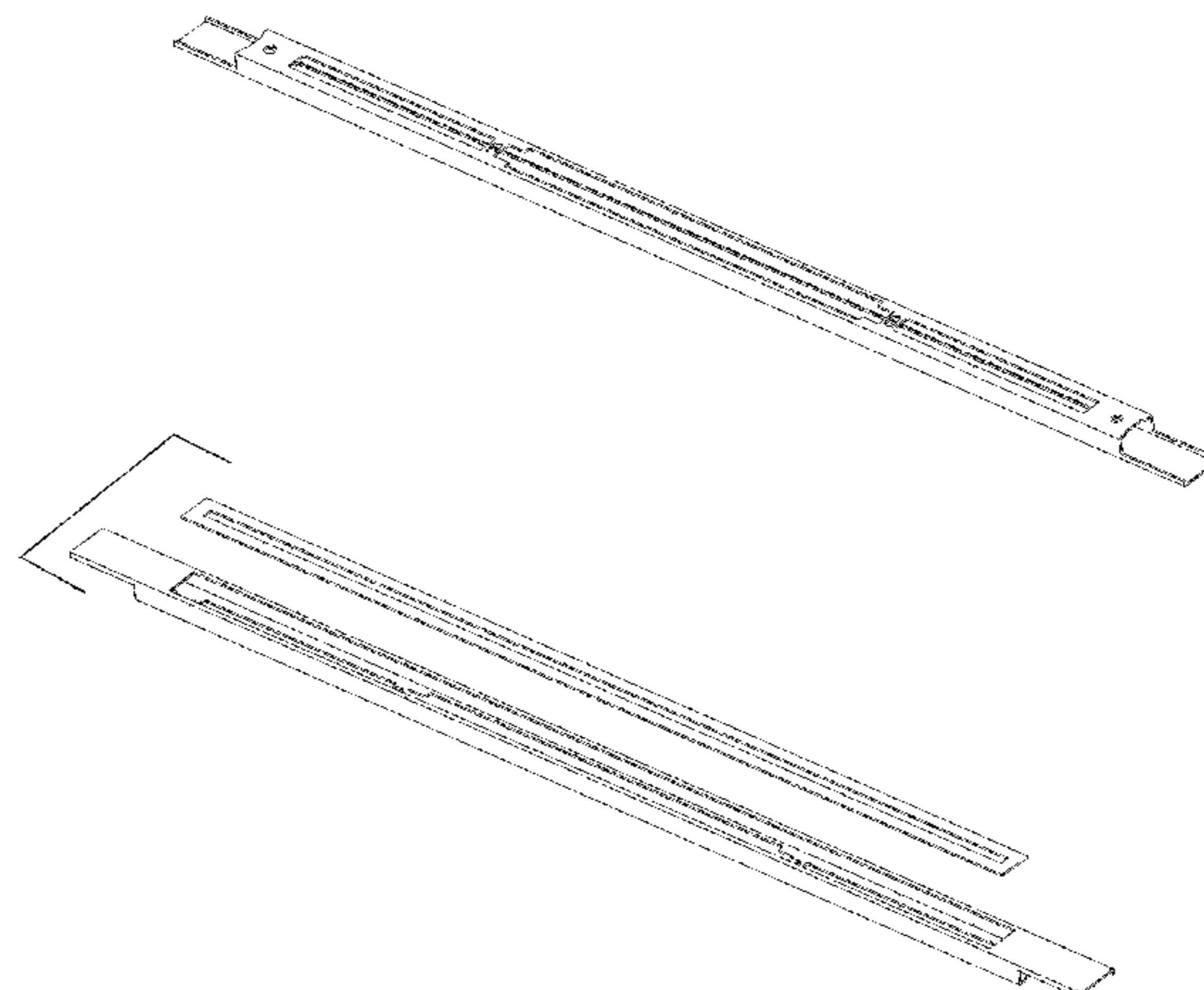


FIG. 29 is a bottom view of the shower drain.
 FIG. 30 is a front view of the shower drain, a back view being a mirror image thereof.
 FIG. 31 is a left side view of the shower drain, a right side view being a mirror image thereof.
 FIG. 32 is an enlarged left side view of the shower drain of FIG. 31.
 FIG. 33 is a bottom perspective view of the shower drain embodying the claimed design.
 FIG. 34 is a top perspective view of the shower drain.
 FIG. 35 is a top perspective exploded view of the shower drain of FIG. 34.
 FIG. 36 is a top view of the shower drain.
 FIG. 37 is a bottom view of the shower drain.
 FIG. 38 is a front view of the shower drain, a back view being a mirror image thereof.
 FIG. 39 is a left side view of the shower drain, a right side view being a mirror image thereof.
 FIG. 40 is an enlarged left side view of the shower drain of FIG. 39.
 FIG. 41 is a bottom perspective view of the shower drain embodying the claimed design.
 FIG. 42 is a top perspective view of the shower drain.
 FIG. 43 is a top perspective exploded view of the shower drain of FIG. 42.
 FIG. 44 is a top view of the shower drain.
 FIG. 45 is a bottom view of the shower drain.
 FIG. 46 is a front view of the shower drain, a back view being a mirror image thereof.
 FIG. 47 is a left side view of the shower drain, a right side view being a mirror image thereof; and,
 FIG. 48 is an enlarged left side view of the shower drain of FIG. 47.

1 Claim, 18 Drawing Sheets

(58) **Field of Classification Search**

USPC 454/275–277, 284, 289, 291; 4/613, 287, 4/679, 680–684, 689–694, 671–673
 CPC E03C 1/12; E03C 1/20; E03C 1/23; E03C 1/26; E03C 1/262; E03C 1/284; E03C 1/2302; E03C 1/2306; E03C 1/2001; E03C 1/2413; E03C 2001/2413; E03F 5/0408; E03F 5/06; E03F 5/00407; E03F 5/052; A47K 1/14; A47K 3/405; A47K 3/40

See application file for complete search history.

(56) **References Cited**

U.S. PATENT DOCUMENTS

9,127,446	B2 *	9/2015	Schlueter	E03F 5/04
D742,483	S *	11/2015	Chapman	D23/261
9,611,634	B2 *	4/2017	Erlebach	E03F 5/0408
2007/0274781	A1 *	11/2007	Aubusson	E03F 5/06 405/36
2008/0104910	A1 *	5/2008	Andras	E03F 5/0407 52/302.3
2010/0162481	A1 *	7/2010	Erlebach	E03F 5/04 4/613
2011/0061161	A1 *	3/2011	Erlebach	A47K 3/40 4/679
2011/0067175	A1 *	3/2011	Steylaerts	E03F 5/0408 4/679
2011/0162137	A1 *	7/2011	Kik, Sr.	E03F 3/046 4/613
2015/0040500	A1 *	2/2015	Francisco	E03F 5/04 52/302.3
2017/0226728	A1 *	8/2017	Meyers	E03F 5/0407
2017/0314252	A1 *	11/2017	Steylaerts	E03F 5/0408
2018/0038091	A1 *	2/2018	Ismert	E03F 5/0408

* cited by examiner

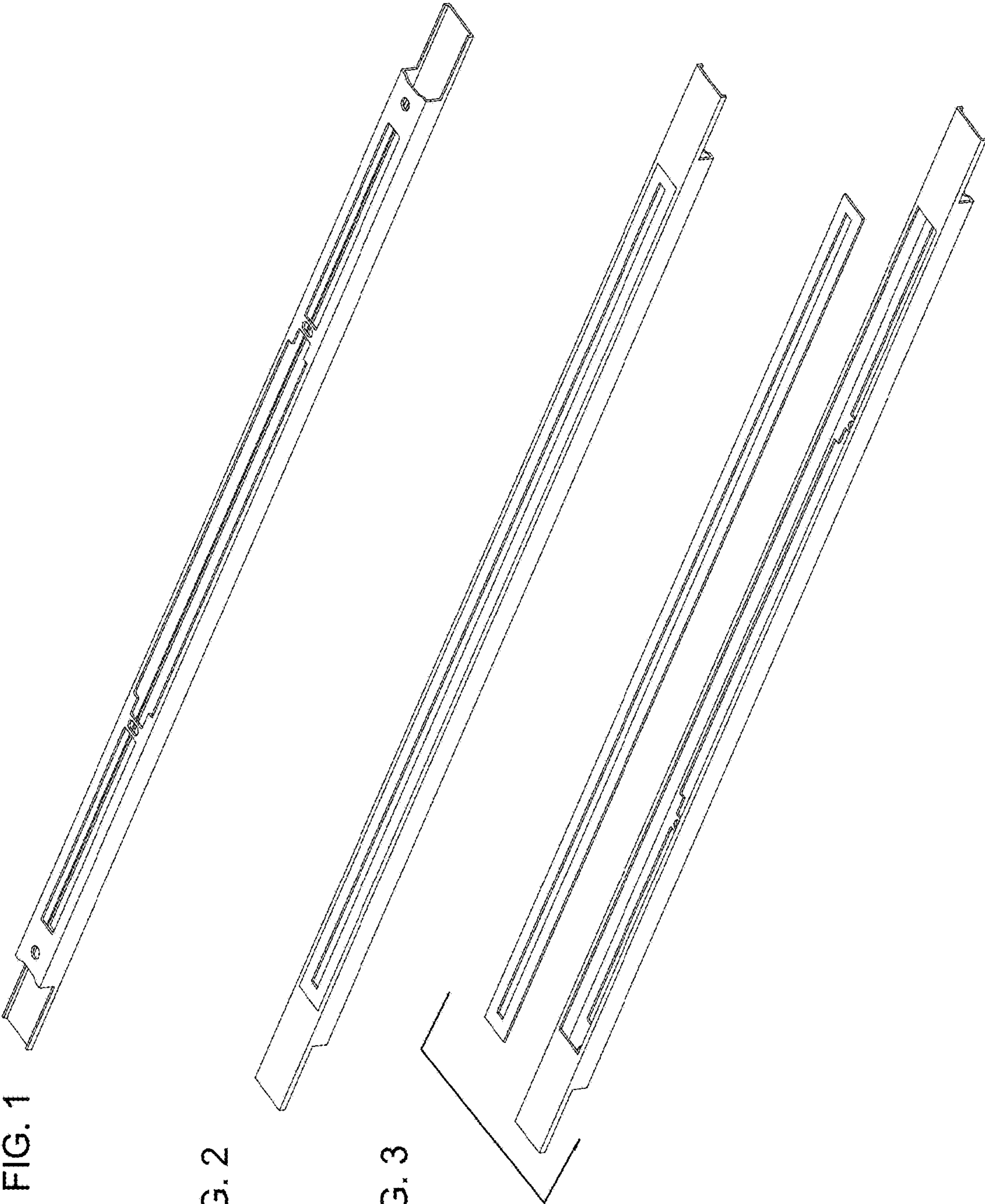


FIG. 1

FIG. 2

FIG. 3

FIG. 4



FIG. 5

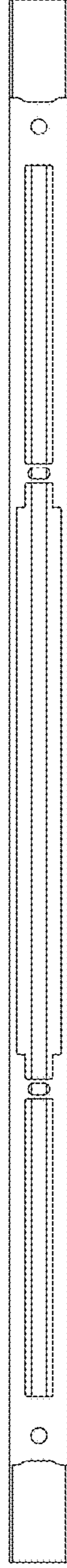


FIG. 6

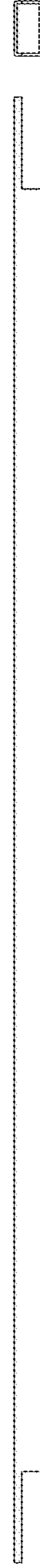
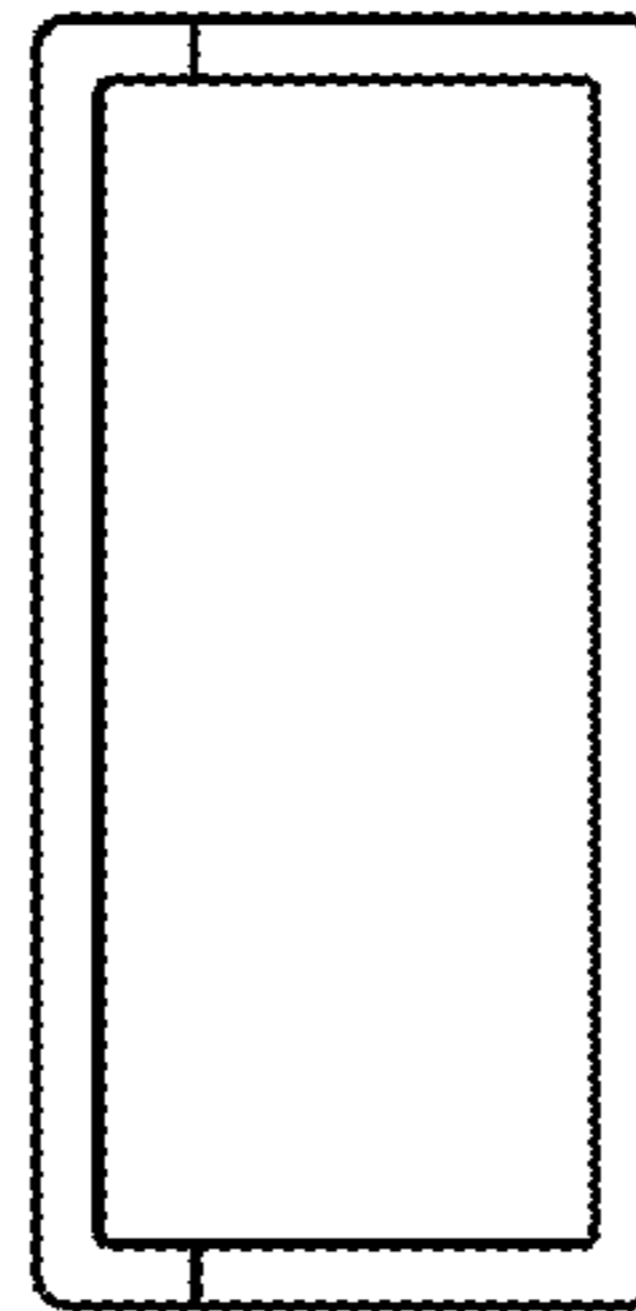


FIG. 7



FIG. 8



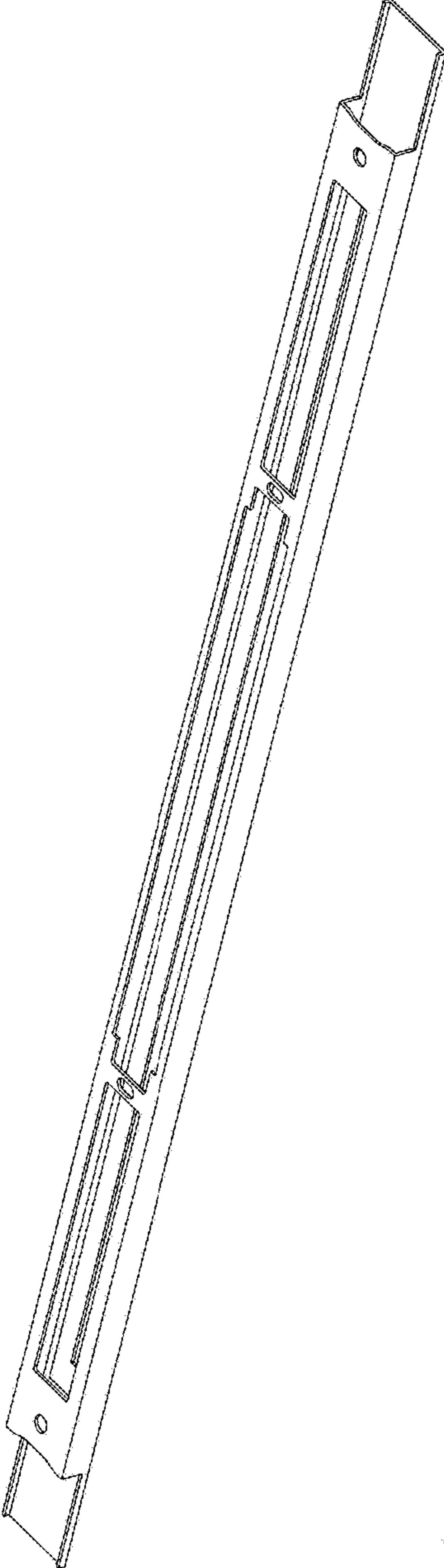


FIG. 9

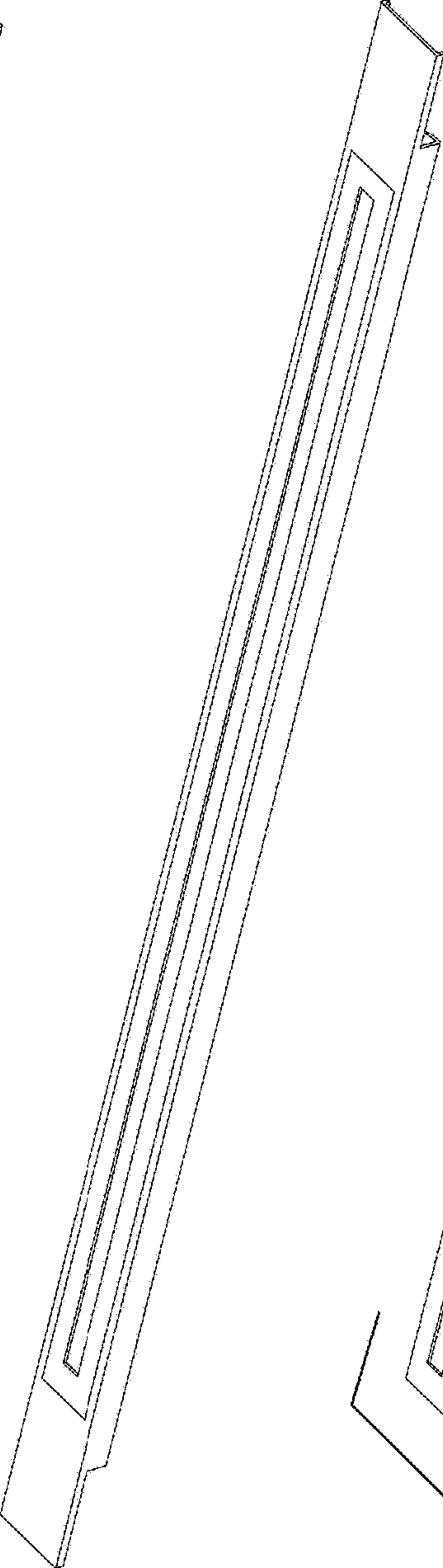


FIG. 10

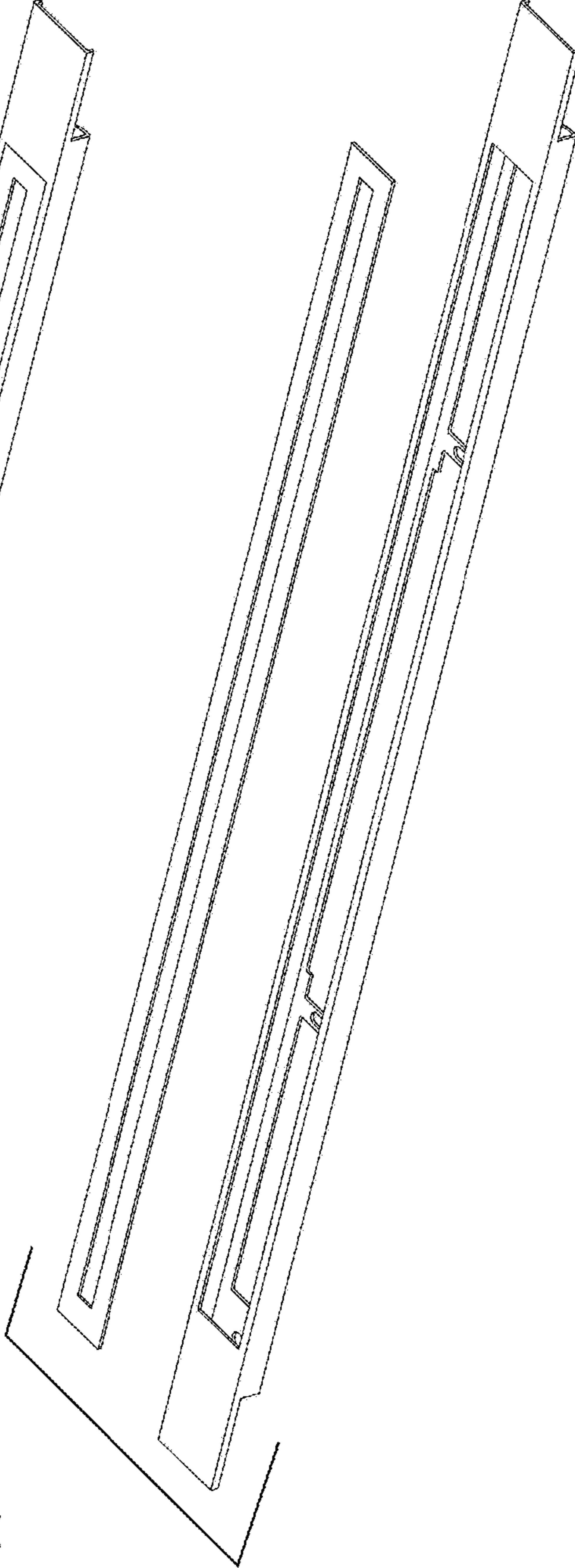


FIG. 11

FIG. 12



FIG. 13



FIG. 15

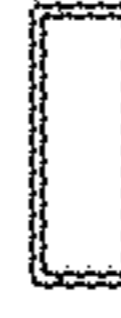


FIG. 14

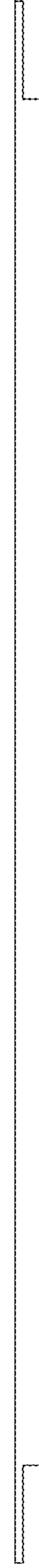
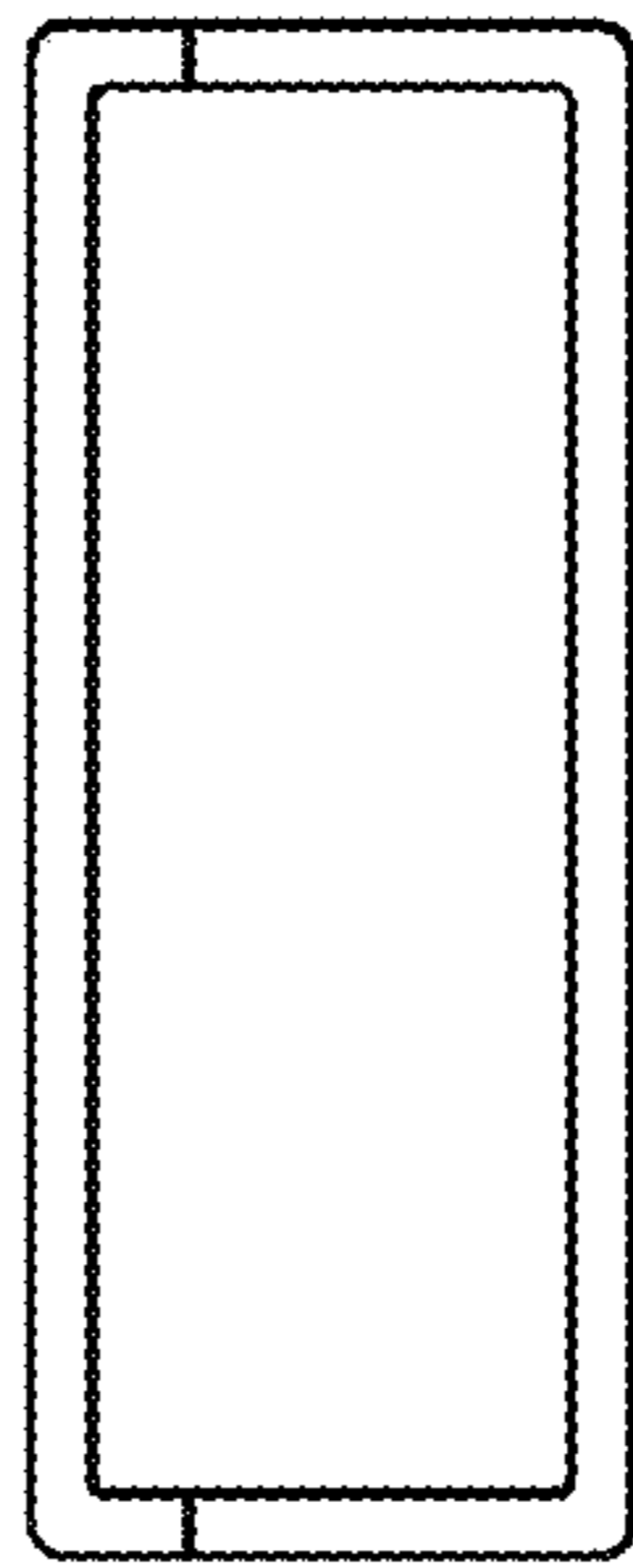


FIG. 16



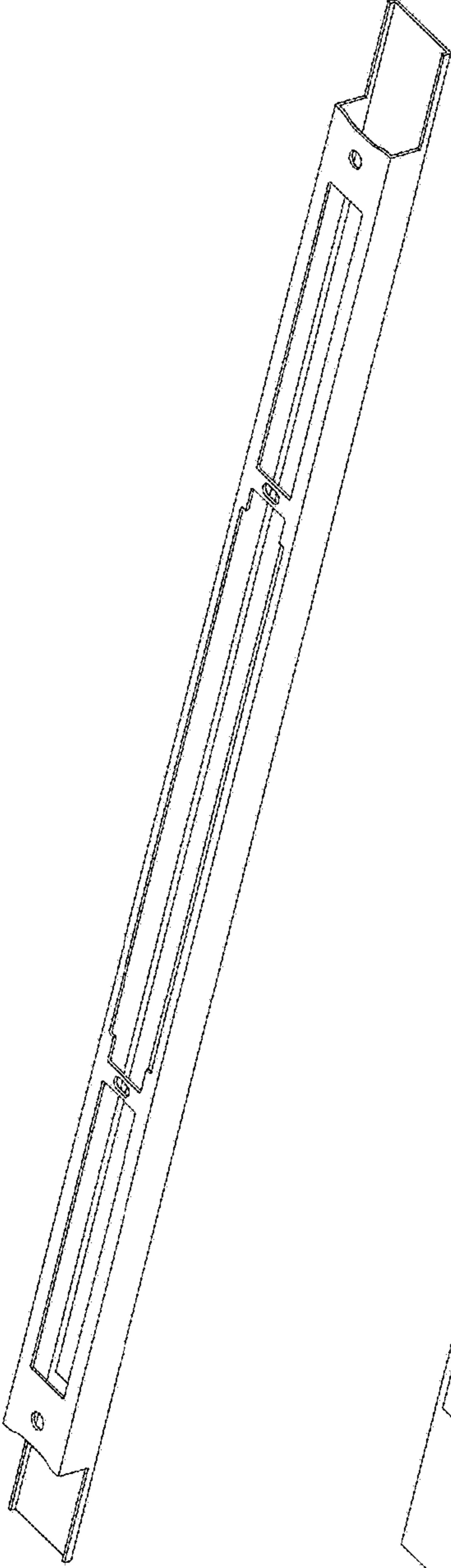


FIG. 17

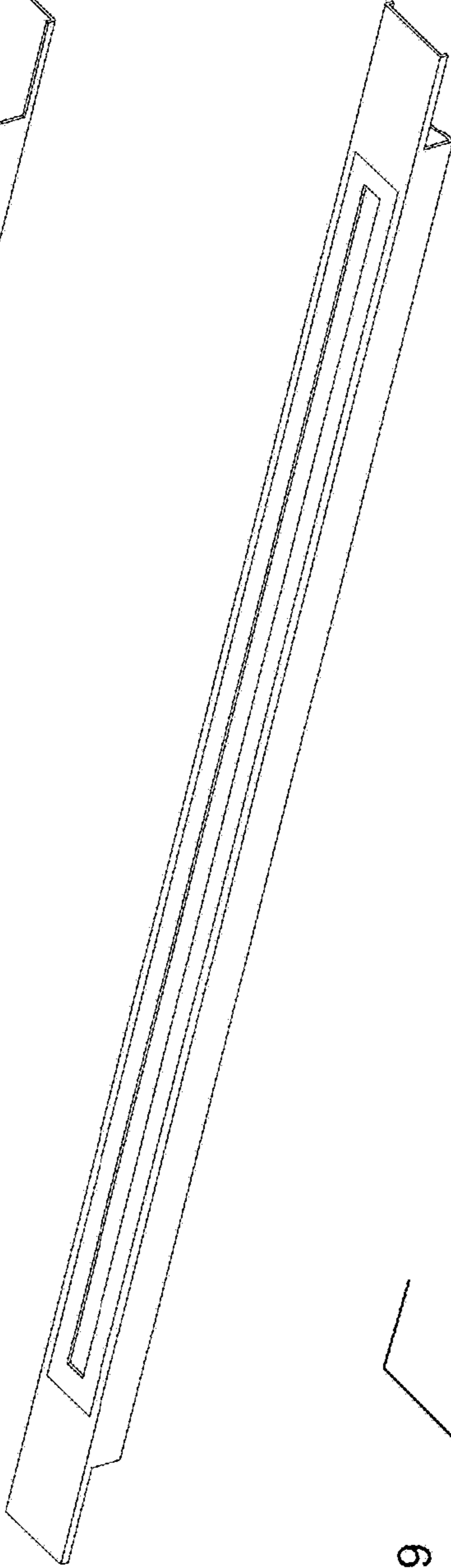


FIG. 18

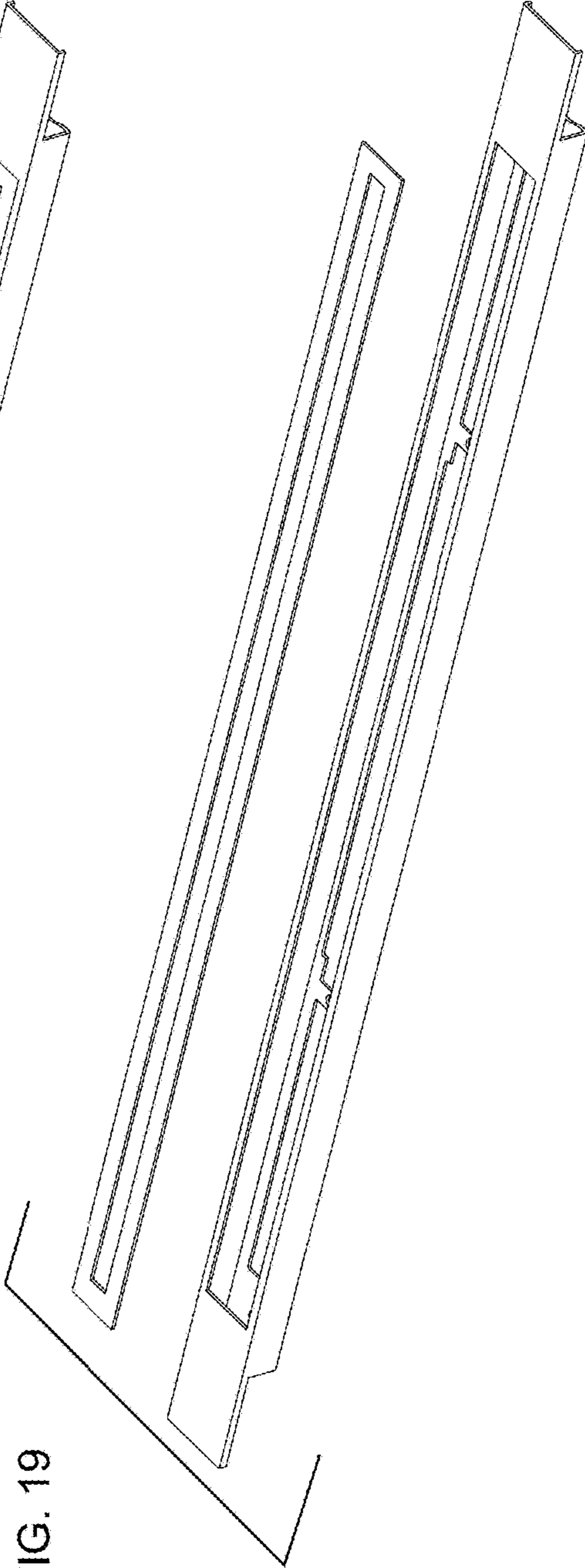


FIG. 19

FIG. 20



FIG. 21



FIG. 23

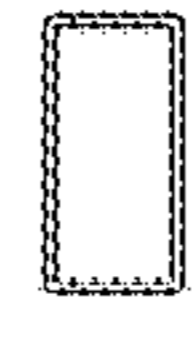


FIG. 22



FIG. 24

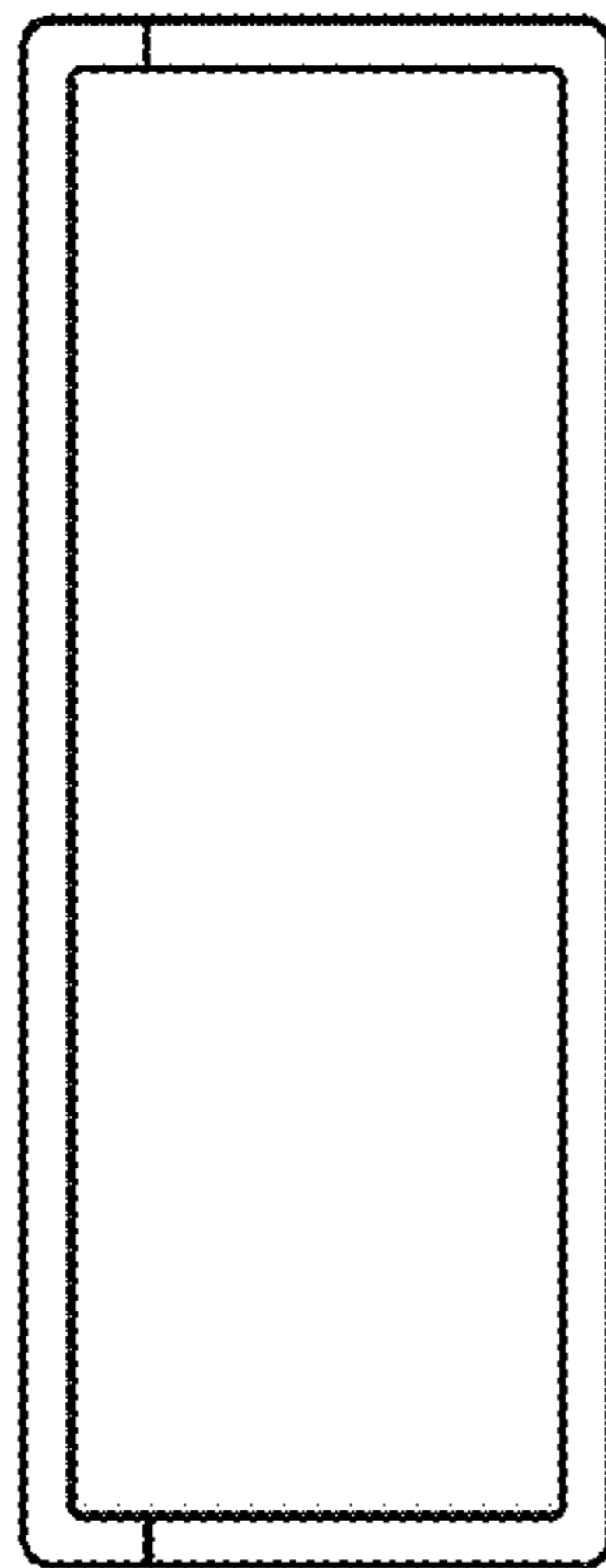


FIG. 25

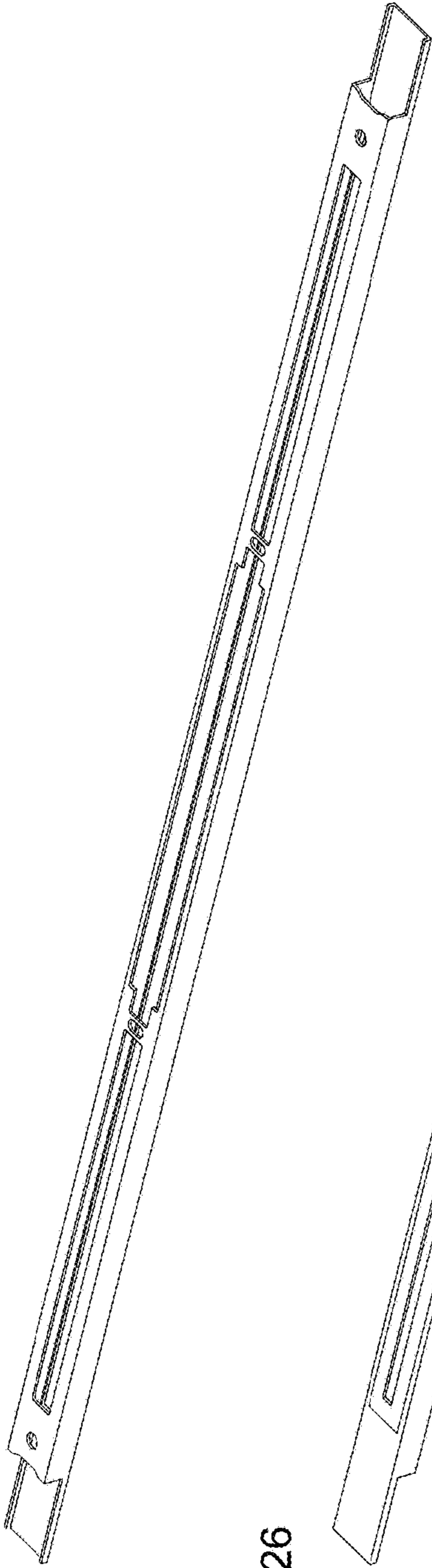


FIG. 26

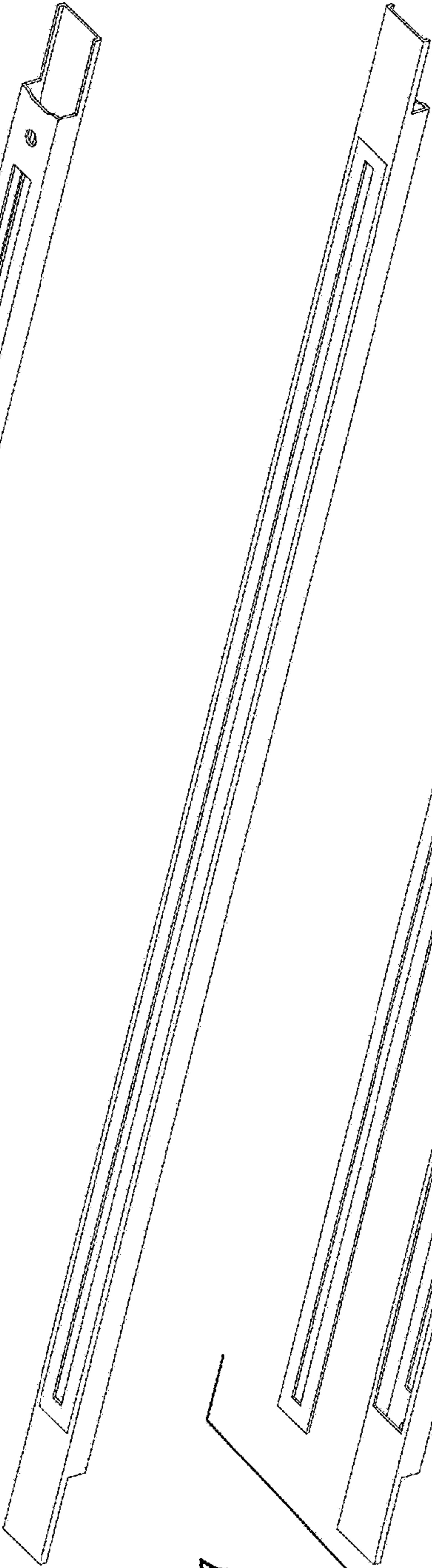


FIG. 27

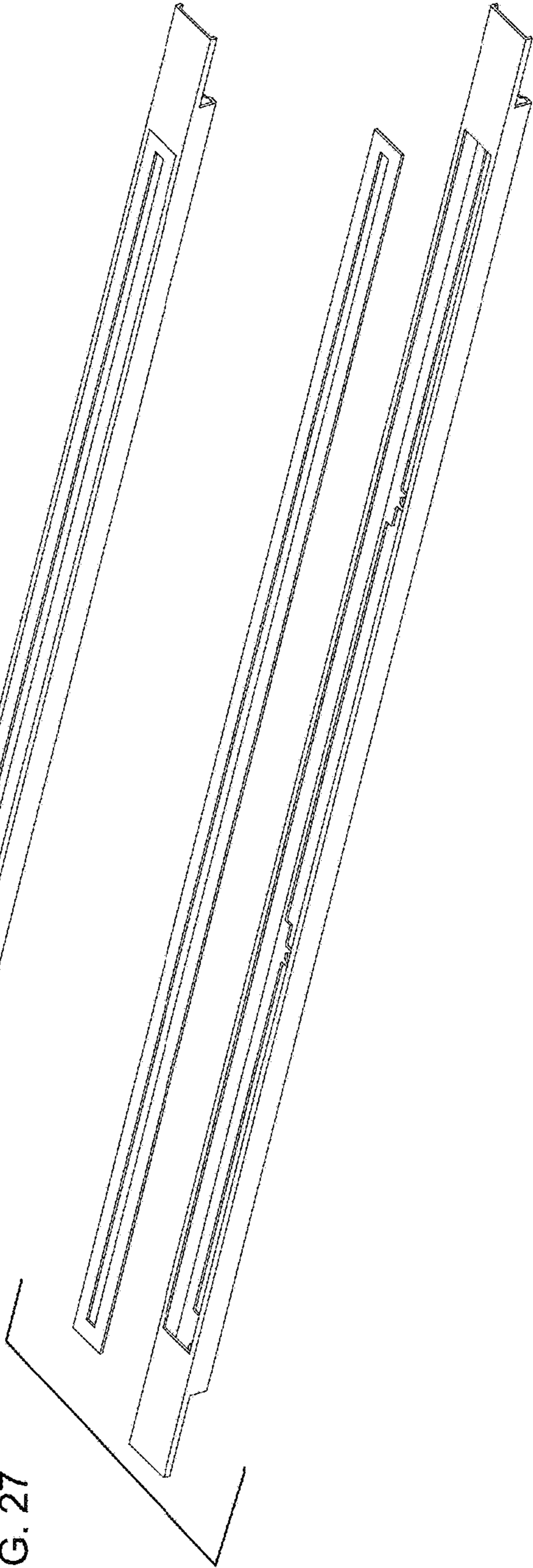


FIG. 28

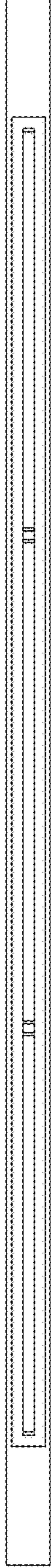


FIG. 29

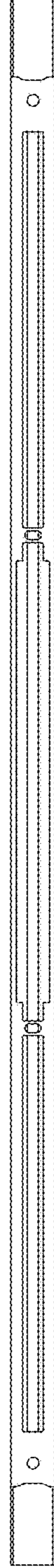


FIG. 30



FIG. 31

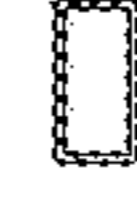


FIG. 32

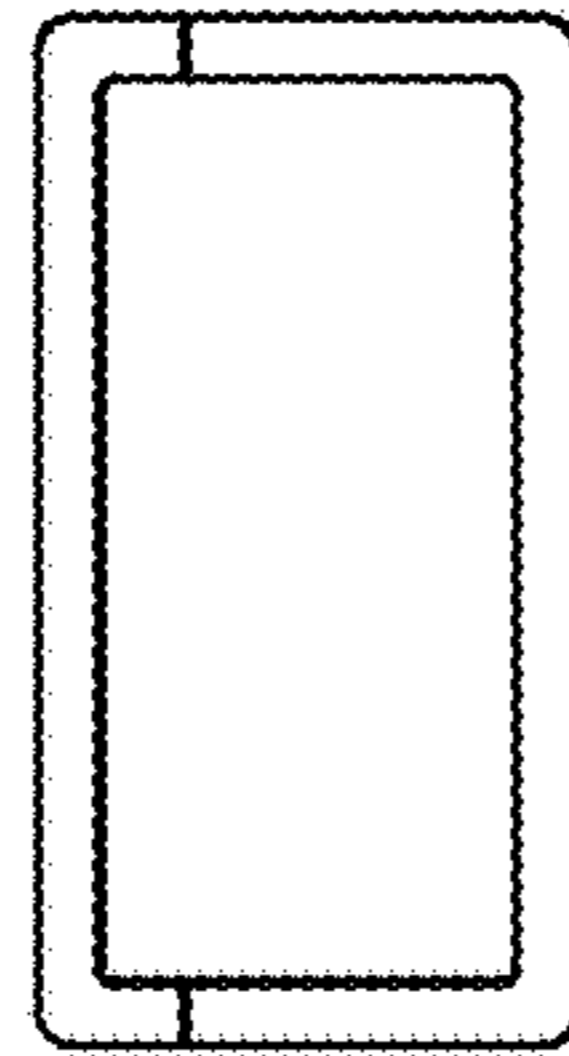


FIG. 33

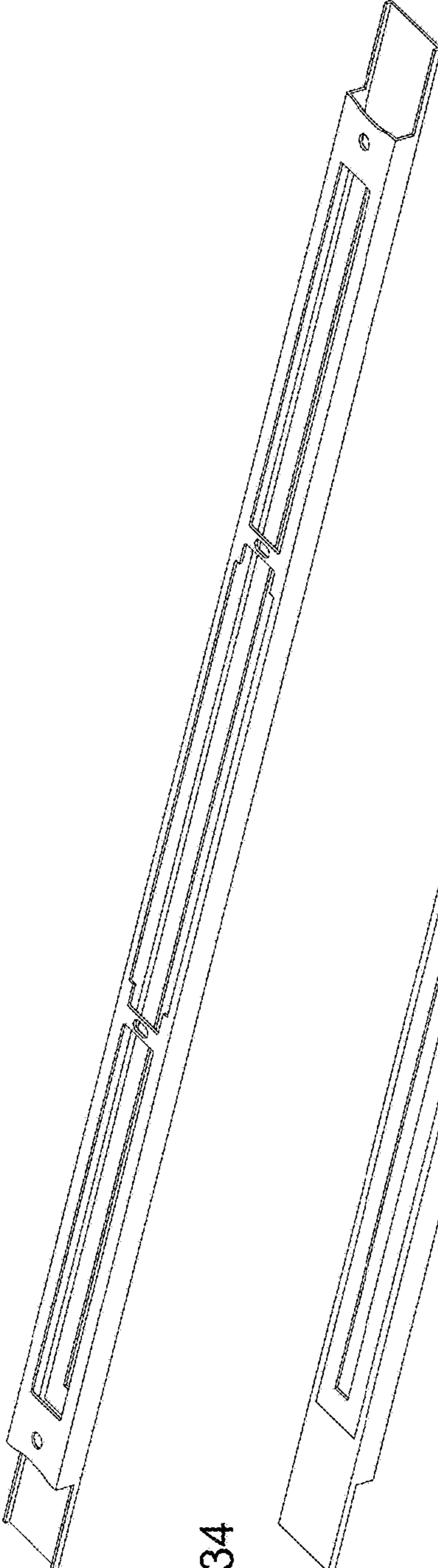


FIG. 34



FIG. 35

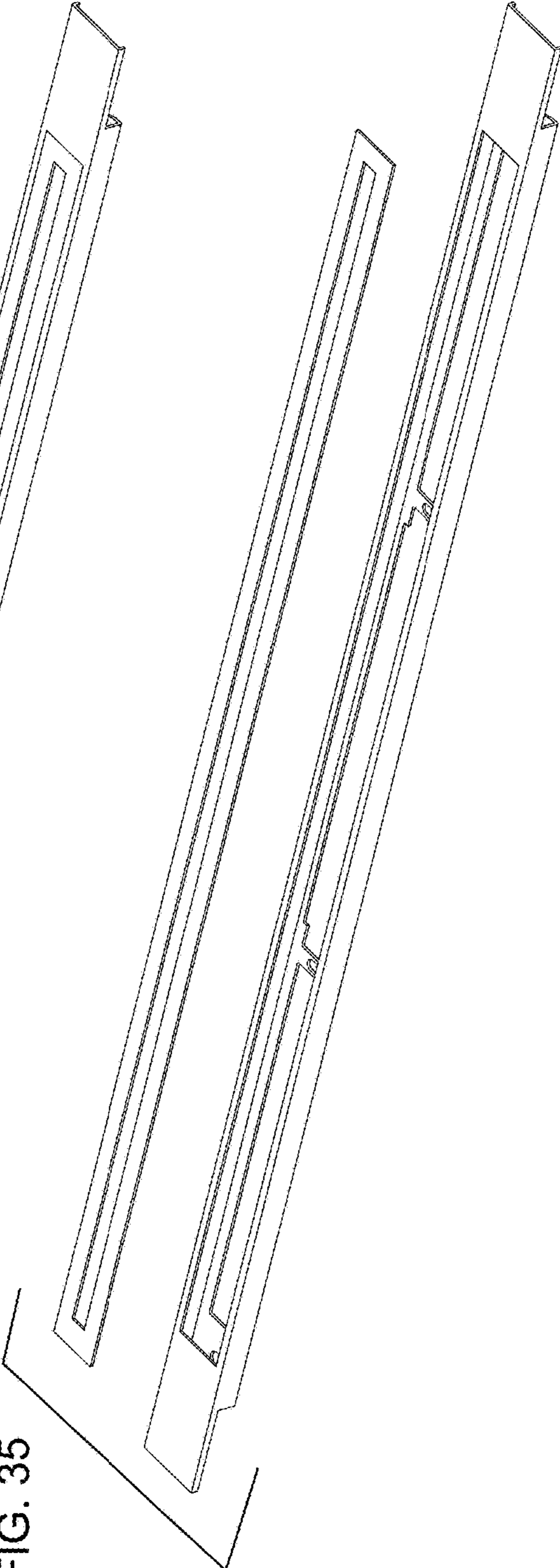


FIG. 36

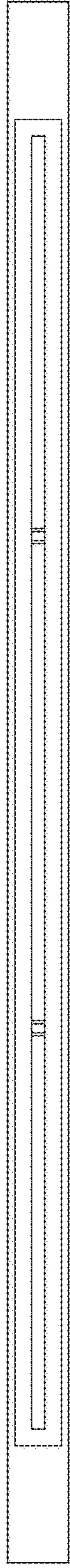


FIG. 37

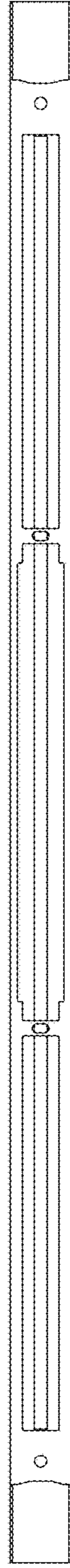


FIG. 38

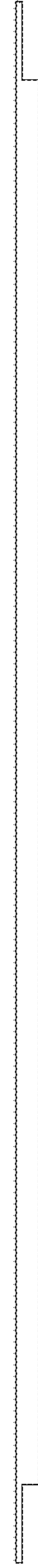


FIG. 39

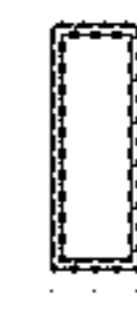
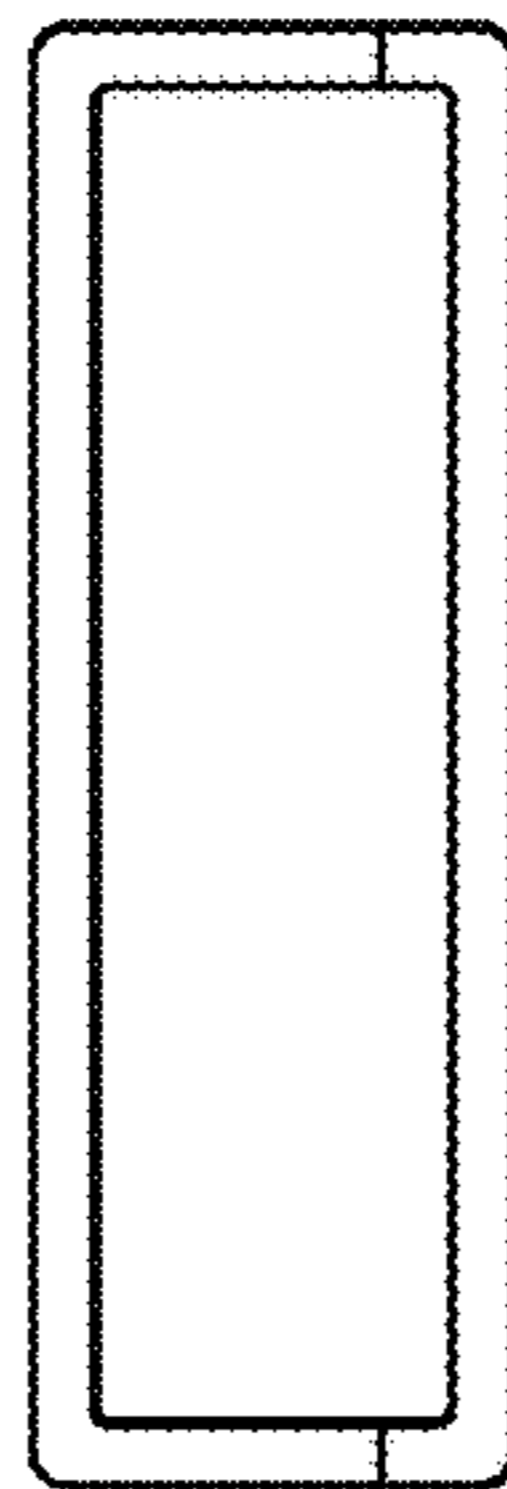


FIG. 40



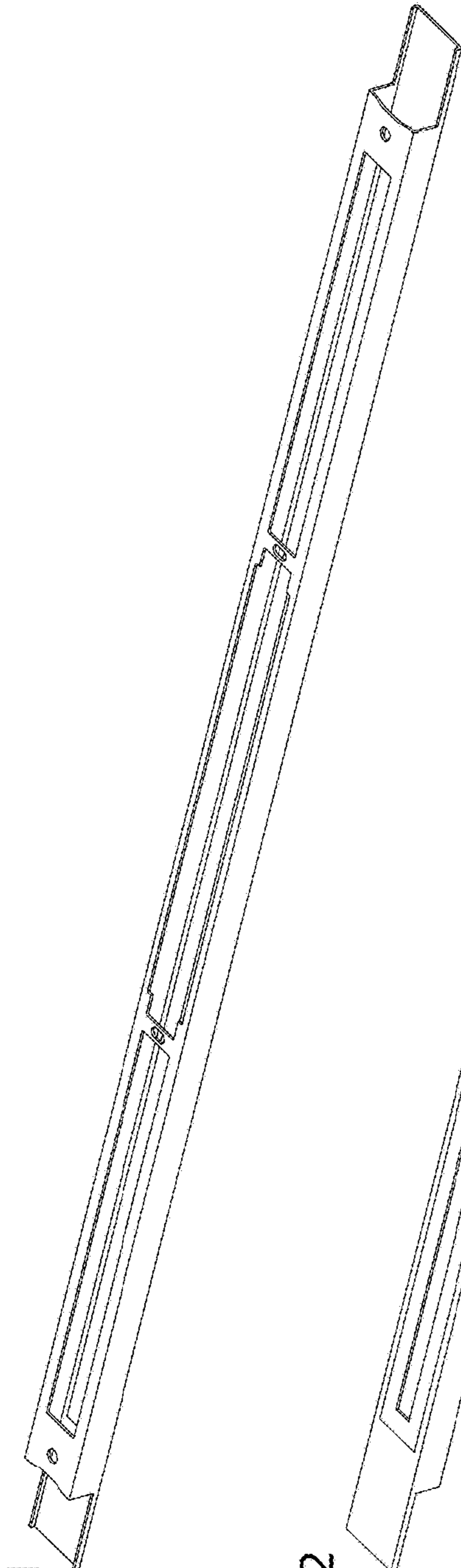


FIG. 41

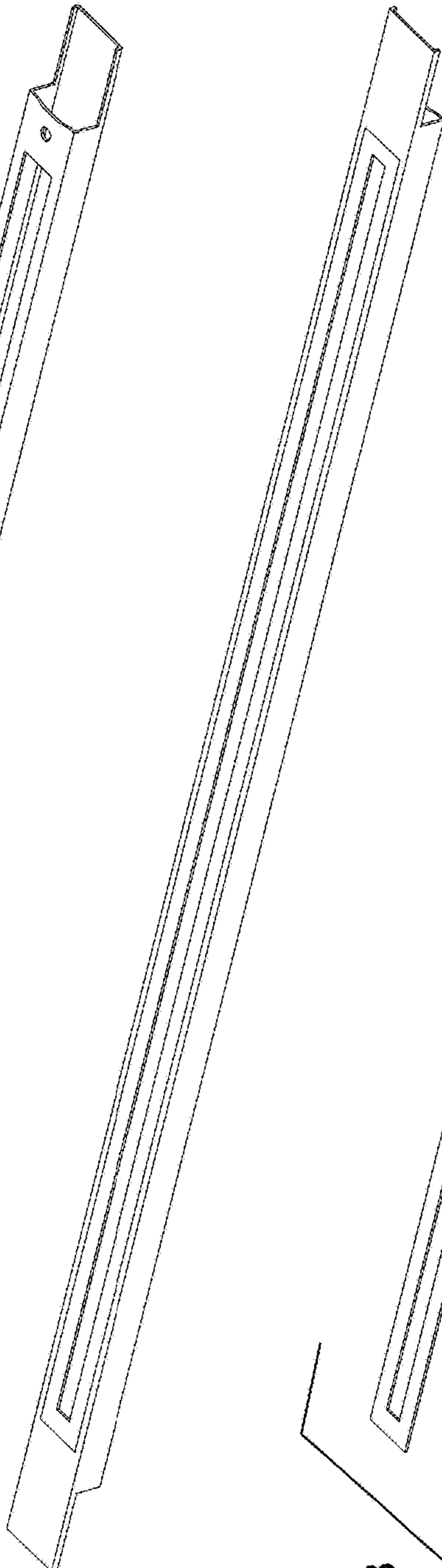


FIG. 42

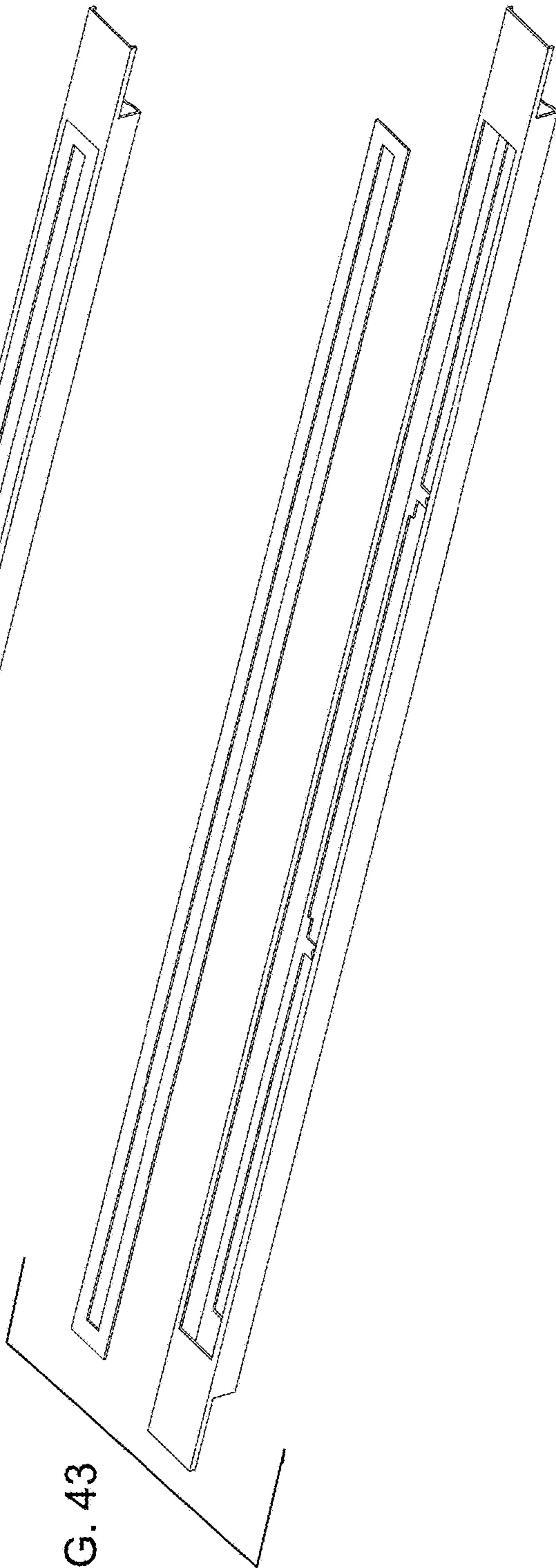


FIG. 43

FIG. 44

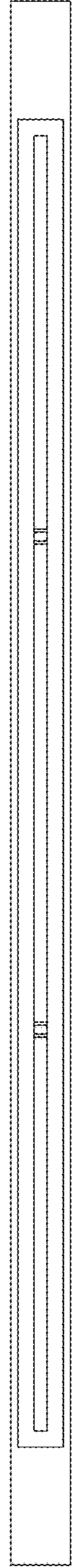


FIG. 45

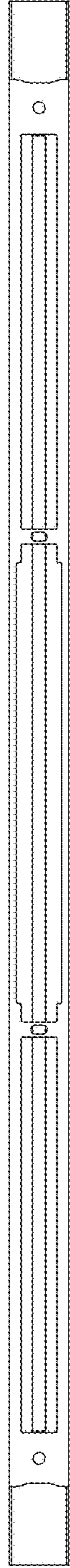


FIG. 46

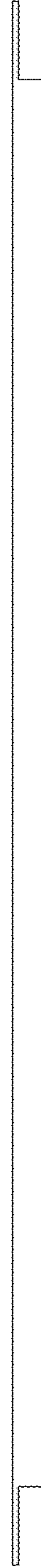


FIG. 47

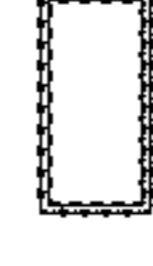


FIG. 48

