



US00D840000S

(12) **United States Design Patent**  
**Yoshihara**

(10) **Patent No.:** **US D840,000 S**

(45) **Date of Patent:** **\*\* Feb. 5, 2019**

(54) **PLUG FOR A DRAIN**

(71) Applicant: **LIXIL Corporation**, Tokyo (JP)

(72) Inventor: **Shinichiro Yoshihara**, Tokyo (JP)

(73) Assignee: **LIXIL CORPORATION**, Tokyo (JP)

(\*\*) Term: **15 Years**

(21) Appl. No.: **29/604,922**

(22) Filed: **May 22, 2017**

(30) **Foreign Application Priority Data**

Nov. 21, 2016 (JP) ..... 2016-025318

(51) **LOC (11) Cl.** ..... **23-01**

(52) **U.S. Cl.**  
USPC ..... **D23/260**

(58) **Field of Classification Search**  
USPC ..... D23/259–261, 267–268, 388, 397, 400,  
D23/406; 404/2–4; 210/163–164, 166;  
454/275–277, 284, 289, 291; 4/613, 287,  
4/679, 680–684, 689–694, 671–673  
CPC ..... E03C 1/12; E03C 1/20; E03C 1/23; E03C  
1/26; E03C 1/262; E03C 1/284; E03C  
1/2302; E03C 1/2306; E03C 1/2001;  
E03C 1/2413; E03C 2001/2413; E03F  
5/0408; E03F 5/06; E03F 5/00407; E03F  
5/052; A47K 1/14; A47K 3/405; A47K  
3/40

See application file for complete search history.

(56) **References Cited**

**U.S. PATENT DOCUMENTS**

1,574,288 A \* 2/1926 Hohmeister ..... E03D 13/00  
210/459  
D357,306 S \* 4/1995 Lenox ..... D23/260

D362,176 S \* 9/1995 Solbeck ..... D8/382  
D405,506 S \* 2/1999 Lord ..... D23/249  
D443,040 S \* 5/2001 Fabian ..... D23/249  
D495,403 S \* 8/2004 Deeds ..... D23/260  
D553,717 S \* 10/2007 Nicholson ..... D23/260  
D589,333 S \* 3/2009 Nakazato ..... D8/382  
D756,222 S \* 5/2016 Lopez ..... D23/260  
D783,783 S \* 4/2017 Yang ..... D23/261  
9,708,803 B1 \* 7/2017 Lin ..... E03C 1/2302  
2014/0259380 A1 \* 9/2014 Eilmus ..... E03C 1/22  
4/650  
2014/0310862 A1 \* 10/2014 Joseph ..... E03C 1/262  
4/287

\* cited by examiner

*Primary Examiner* — Eric L Goodman

*Assistant Examiner* — Amy C Wierenga

(74) *Attorney, Agent, or Firm* — Muncy, Geissler, Olds & Lowe, P.C.

(57) **CLAIM**

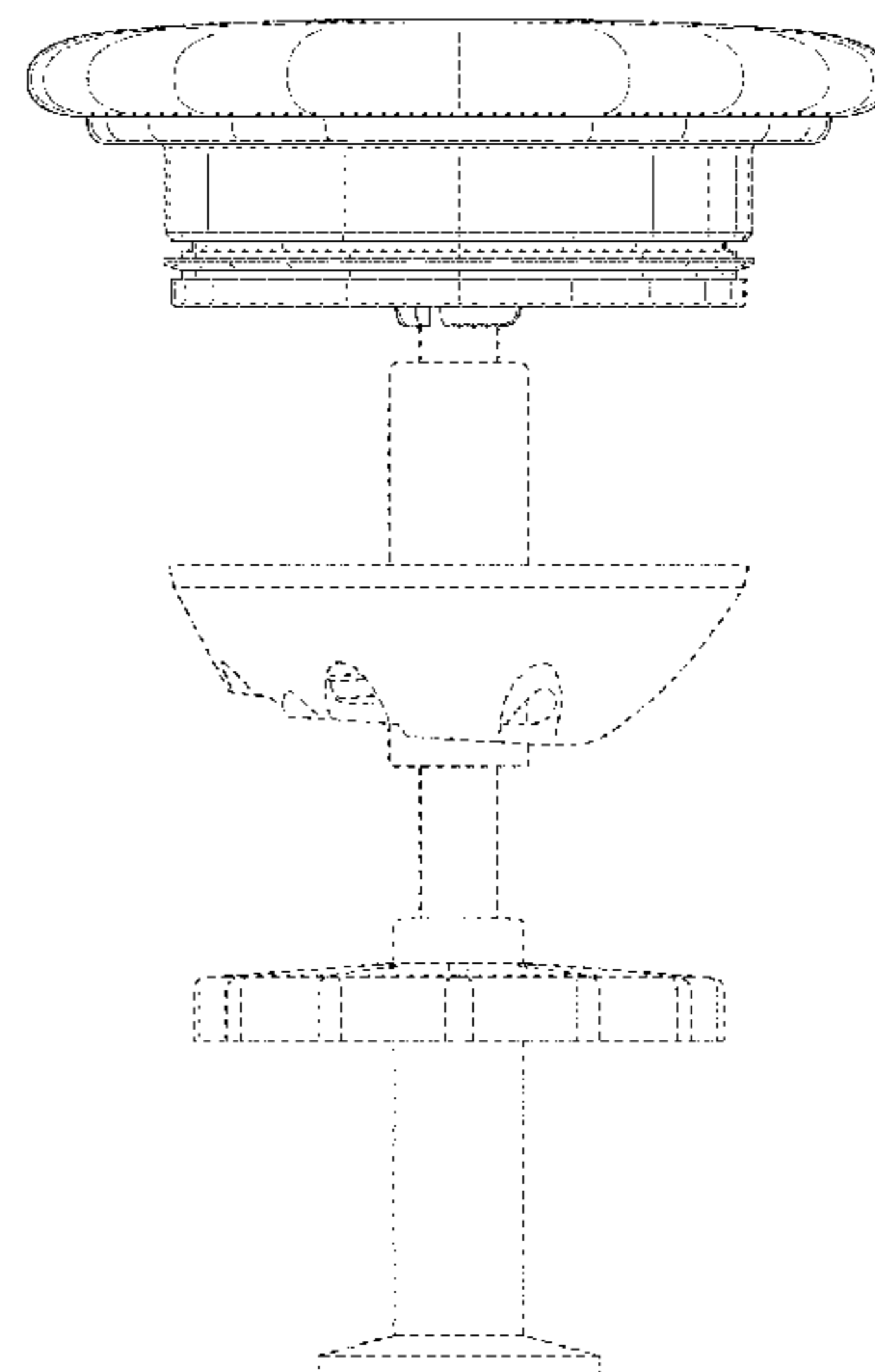
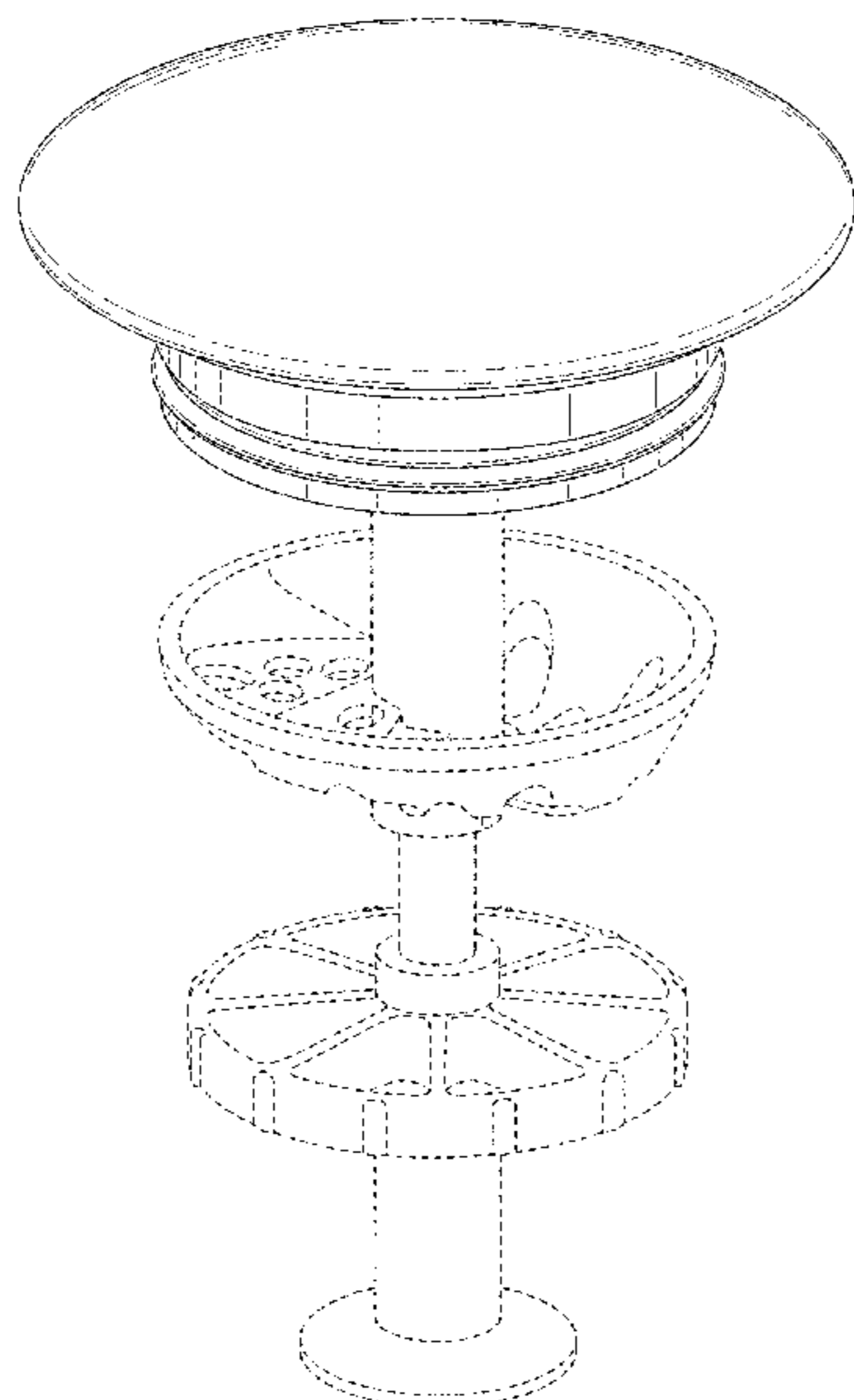
The ornamental design for a plug for a drain, as shown and described.

**DESCRIPTION**

FIG. 1 is a perspective view of a plug for a drain showing my new design;  
FIG. 2 is a front elevational view thereof;  
FIG. 3 is a rear elevational view thereof;  
FIG. 4 is a right side view thereof;  
FIG. 5 is a left side view thereof;  
FIG. 6 is a top plan view thereof;  
FIG. 7 is a bottom plan view thereof; and,  
FIG. 8 is a cross-sectional view taken along line 8-8 of FIG. 6.

The dashed broken lines depict portions of the plug for a drain that form no part of the claim.

**1 Claim, 8 Drawing Sheets**



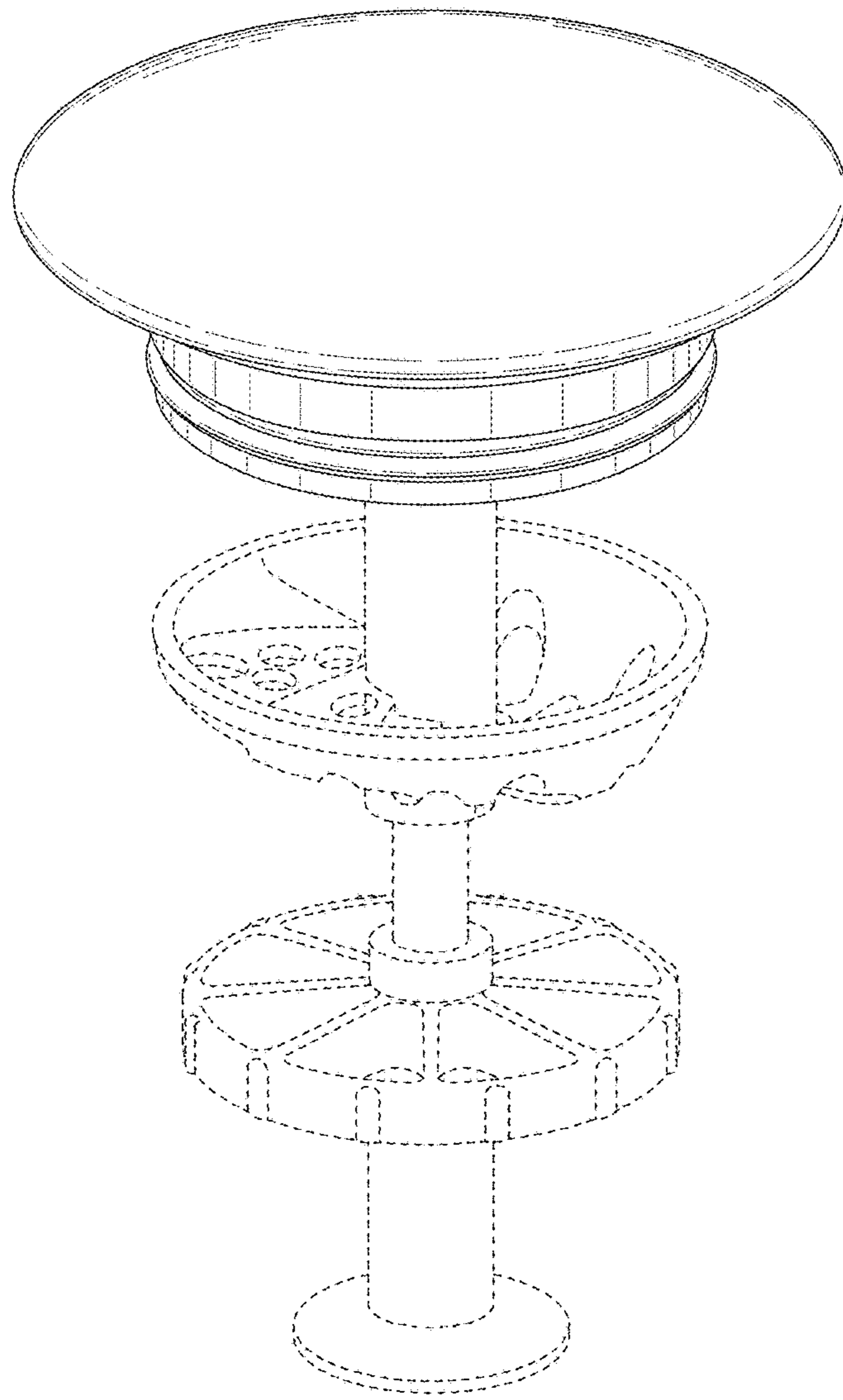


FIG. 1

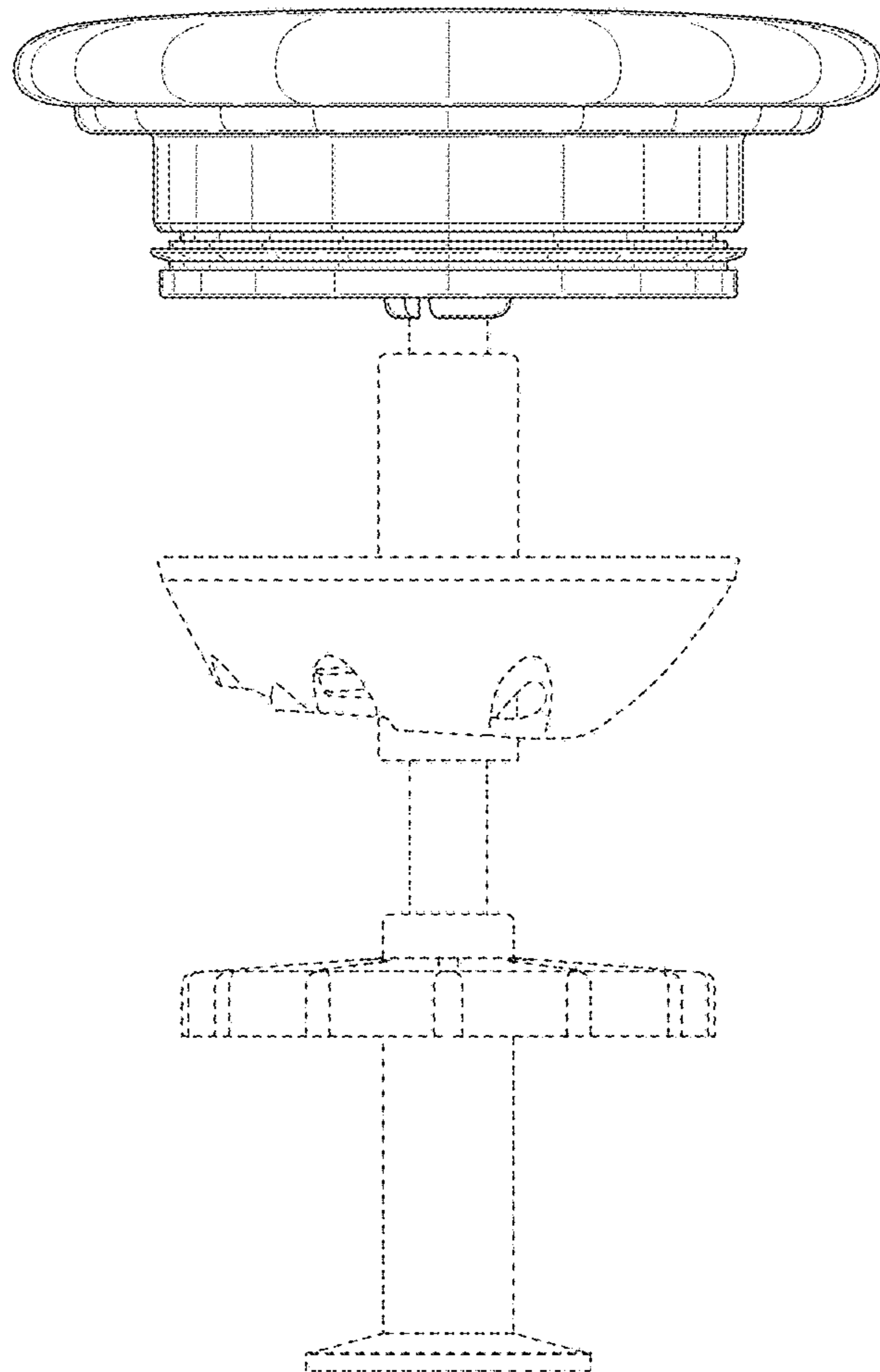


FIG.2

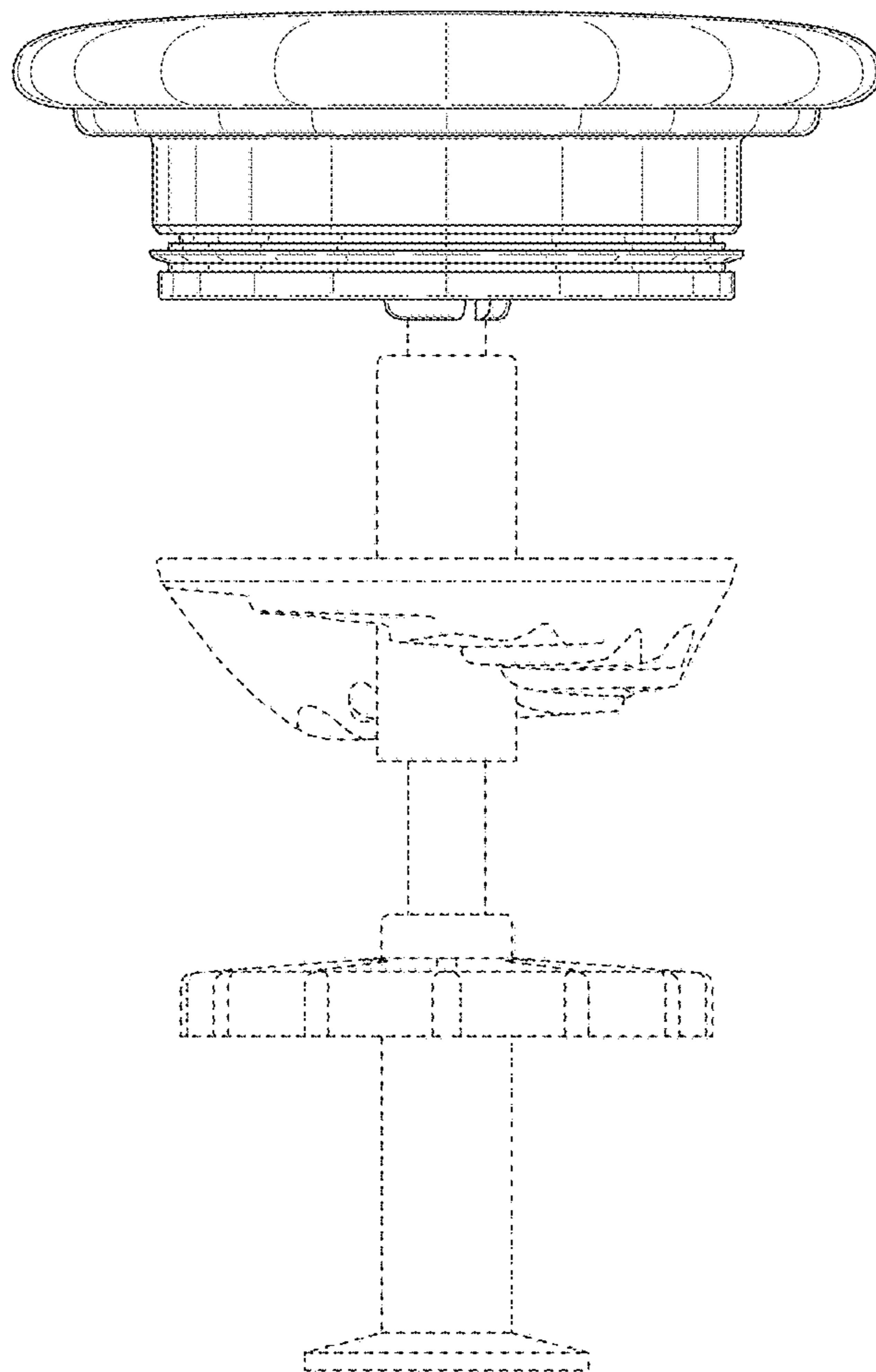


FIG.3

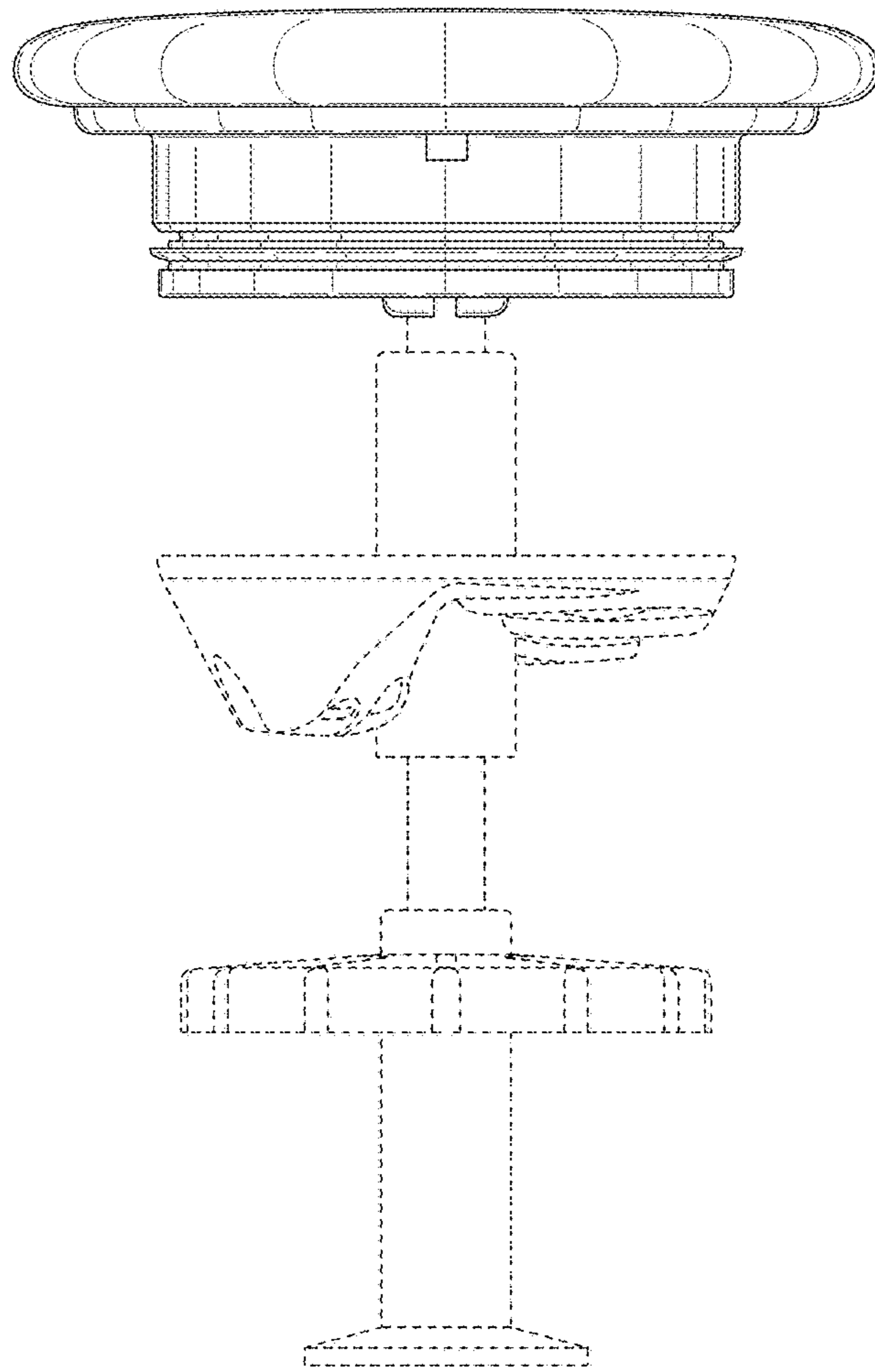


FIG.4

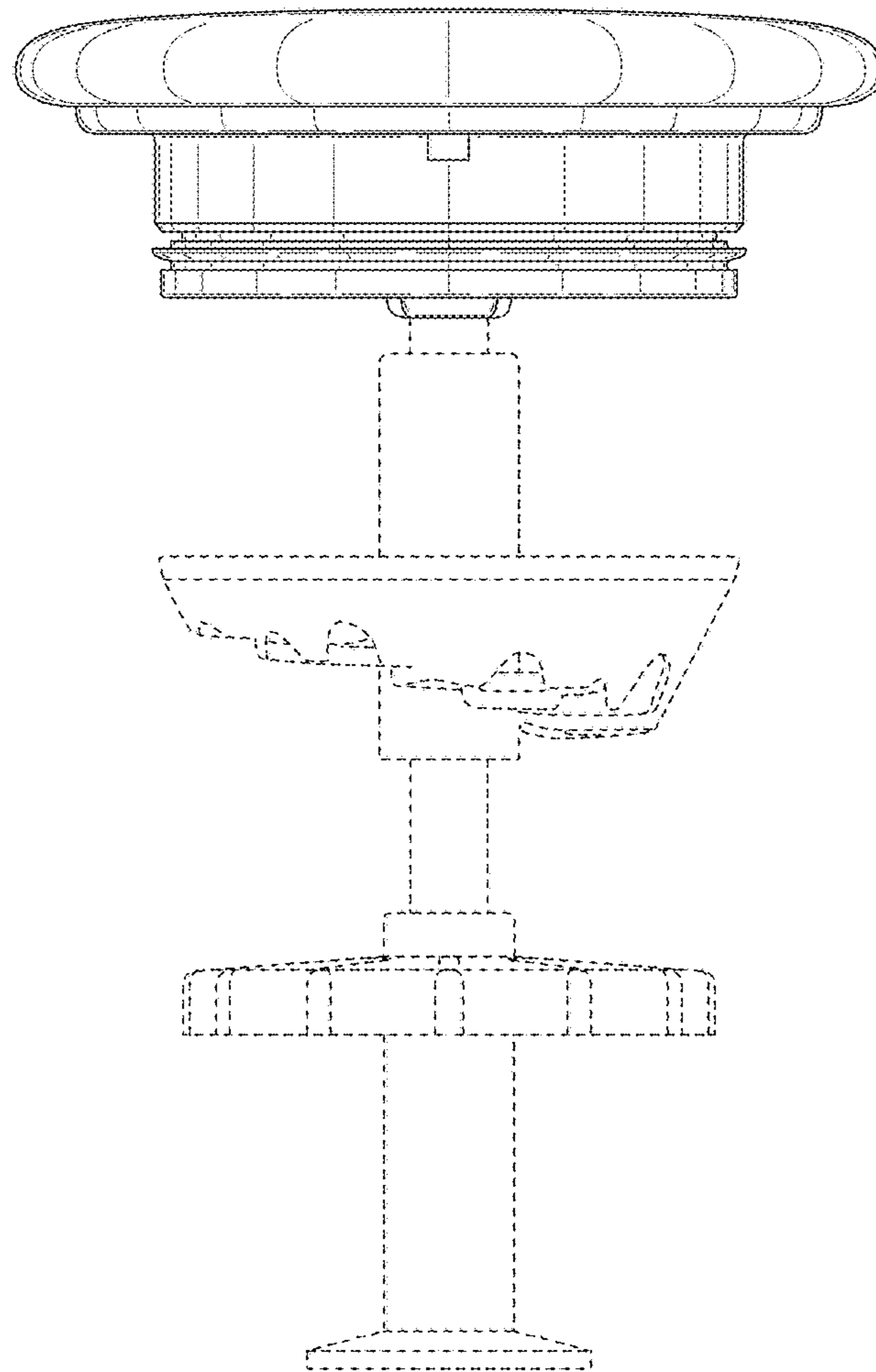


FIG.5

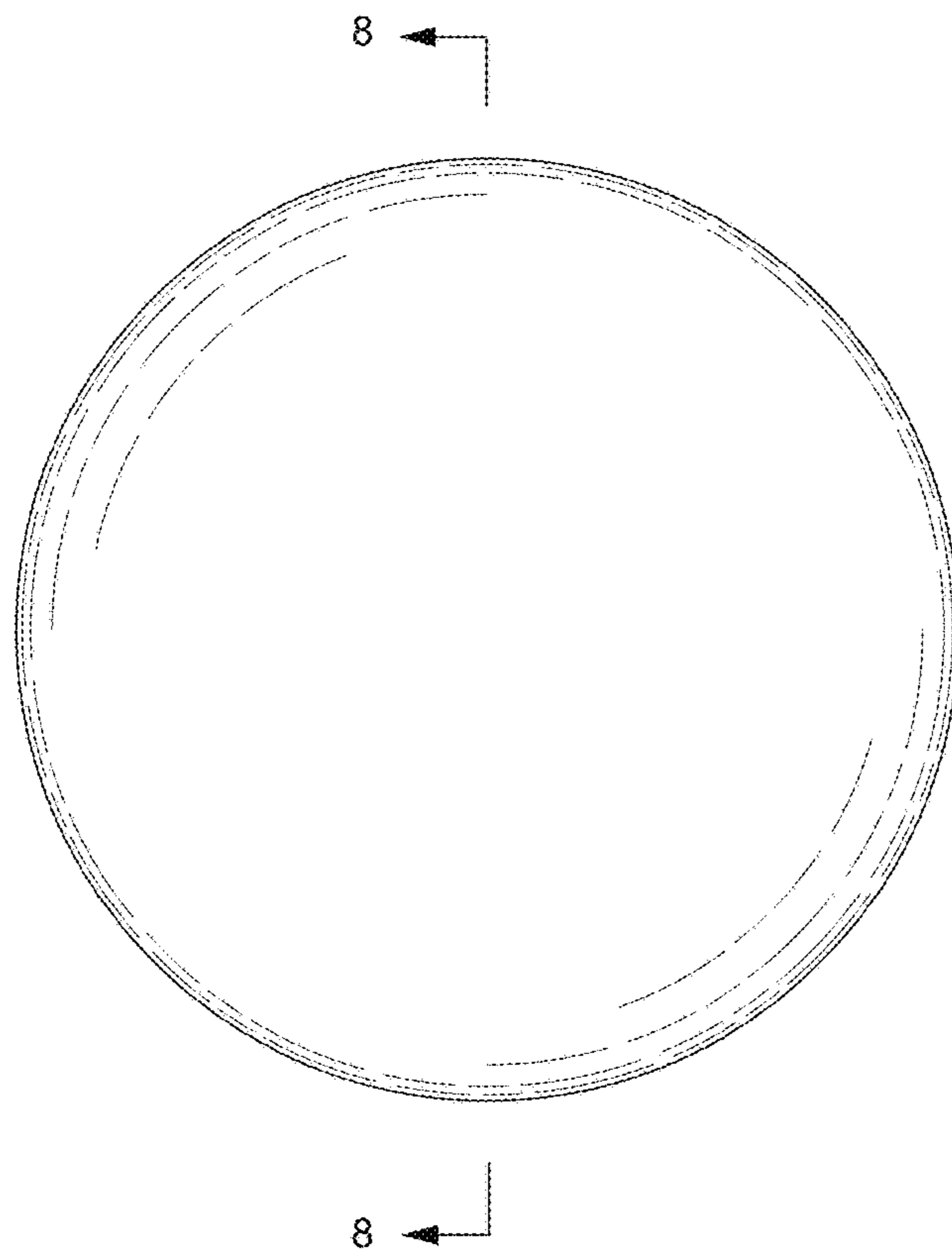


FIG.6

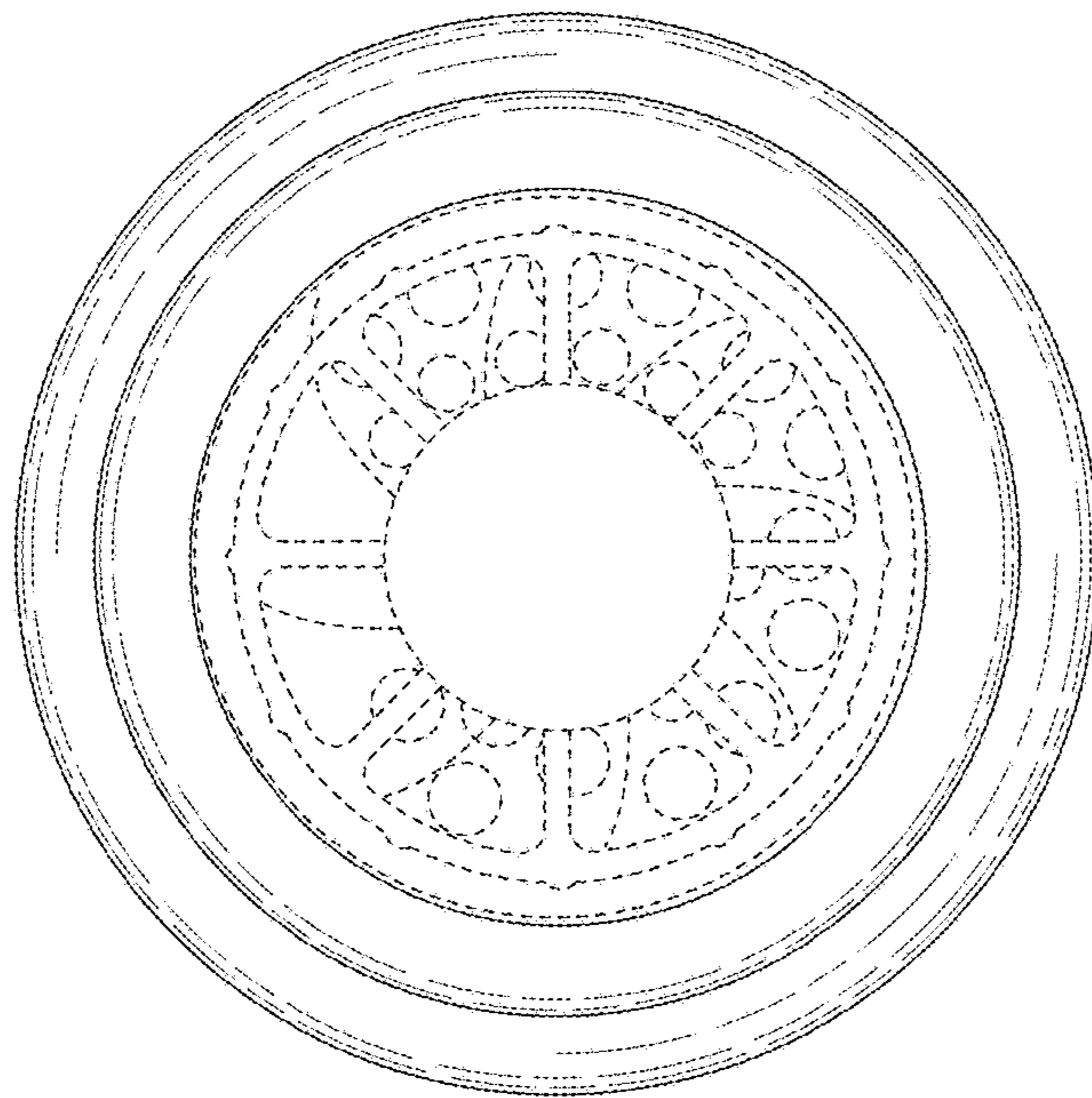


FIG. 7



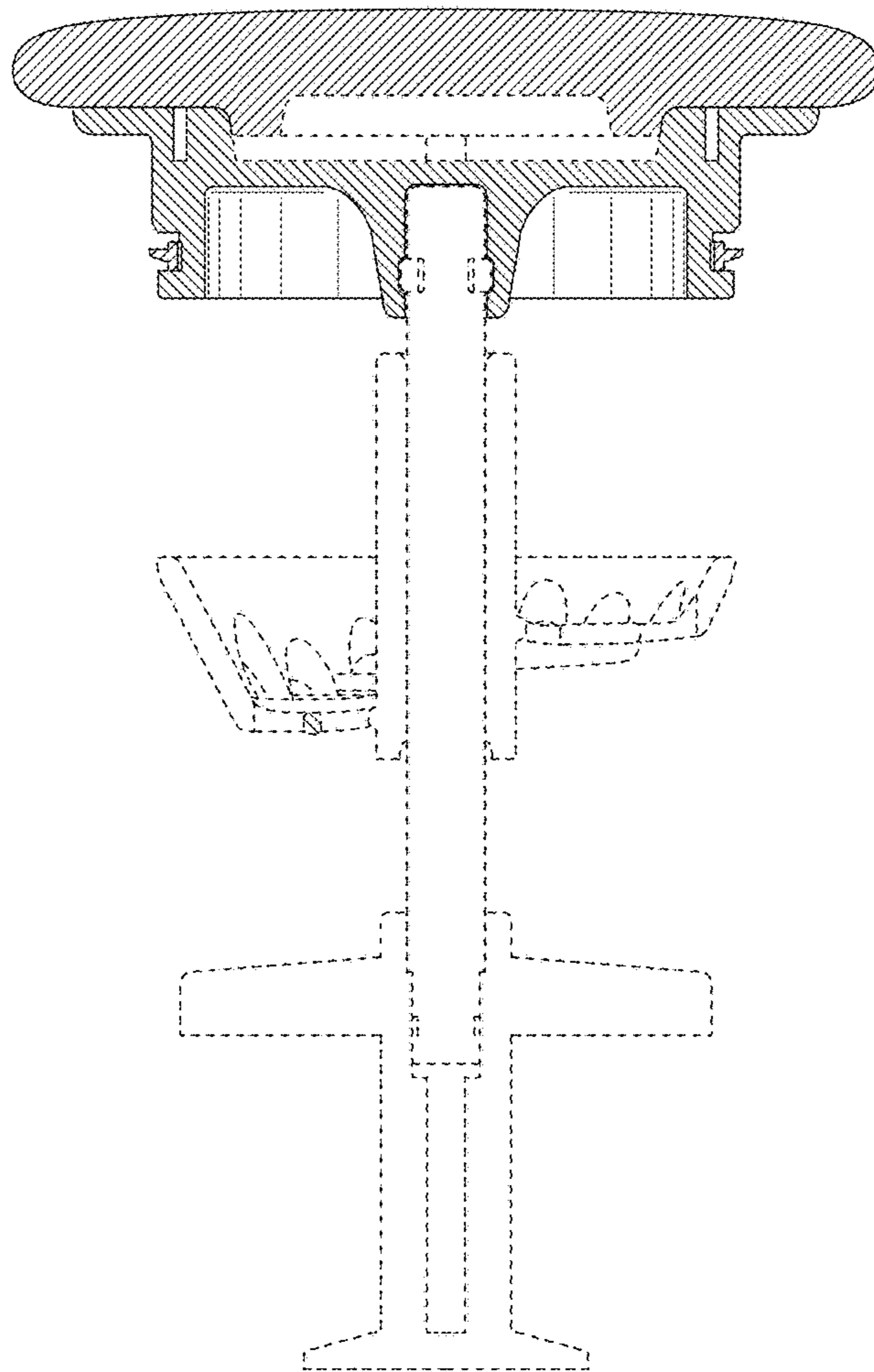


FIG. 8