



(12) **United States Design Patent**  
**Woolward et al.**

(10) **Patent No.:** **US D839,999 S**  
(45) **Date of Patent:** **\*\* Feb. 5, 2019**

- (54) **PIPE INSULATION**
- (71) Applicant: **Irregular Insulation Ltd.**
- (72) Inventors: **Brian Woolward**, Rayleigh (GB);  
**William Caller**, London (GB)
- (73) Assignee: **IRREGULAR INSULATION LTD.**,  
West Mainlands (GB)

3,291,508 A \* 12/1966 Kolthoff, Jr. .... F16L 7/02  
277/602  
D237,178 S \* 10/1975 Wilson ..... D23/259  
3,941,159 A \* 3/1976 Toll ..... F16L 59/022  
138/147  
4,748,060 A \* 5/1988 Fry ..... F16L 59/022  
138/151  
5,123,453 A \* 6/1992 Robbins ..... F16L 59/023  
138/149

(Continued)

- (\*\*) Term: **15 Years**
- (21) Appl. No.: **29/599,265**
- (22) Filed: **Mar. 31, 2017**

**FOREIGN PATENT DOCUMENTS**

(30) **Foreign Application Priority Data**

GB 2520178 5/2015  
*Primary Examiner* — Eric L Goodman  
*Assistant Examiner* — Amy C Wierenga  
(74) *Attorney, Agent, or Firm* — William H. Bollman

Nov. 18, 2016 (EM) ..... 003471424-0001

- (51) **LOC (11) Cl.** ..... **23-01**
- (52) **U.S. Cl.**  
USPC ..... **D23/259**

(57) **CLAIM**

The ornamental design for a pipe insulation, as shown and described.

- (58) **Field of Classification Search**  
USPC ..... D23/259, 262–268, 269; 138/46, 121,  
138/118, 155, 167, 173, 177, 32, 149,  
138/156, 161; 285/121.1, 121.2, 124.1,  
285/223, 226, 227  
CPC ..... F16L 59/02; F16L 59/022; F16L 59/024;  
F16L 59/14  
See application file for complete search history.

**DESCRIPTION**

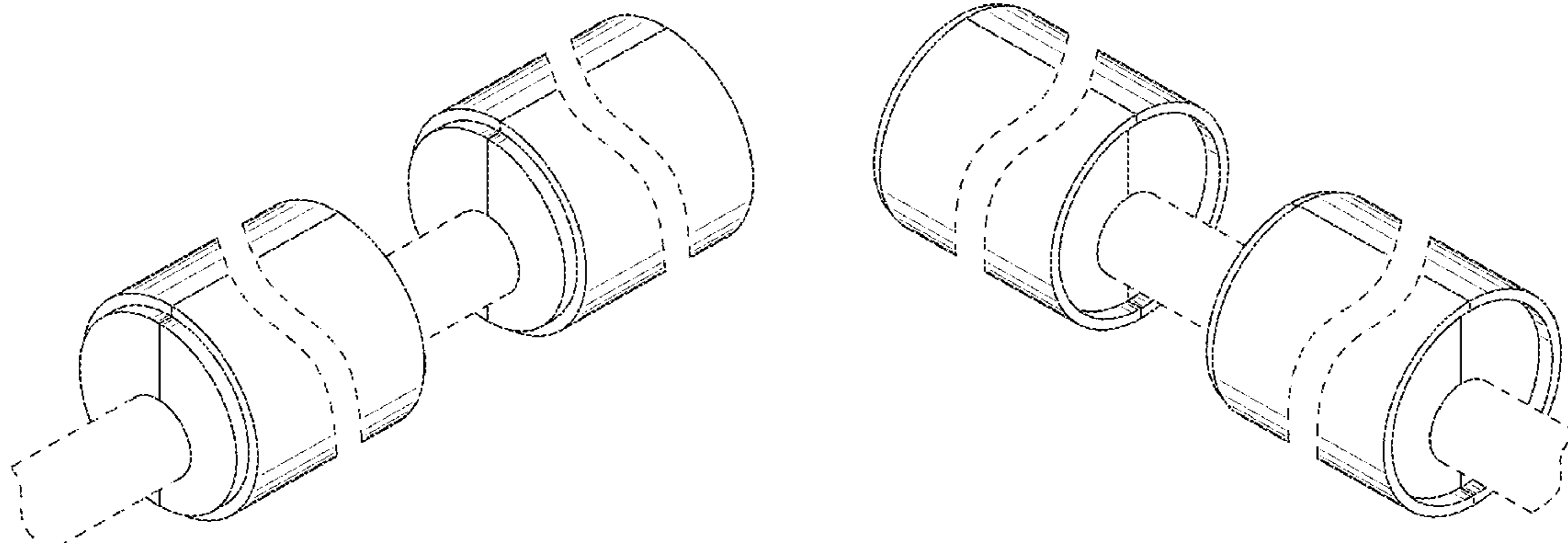
FIG. 1 is a front perspective view of two lengths of pipe insulation having inter-connecting ends in a view showing male ends thereof;  
FIG. 2 is a rear perspective view of two lengths of pipe insulation having inter-connecting ends in a view showing female ends thereof;  
FIG. 3 is an end view of pipe insulation as a form having two halves as an outer layer; and,  
FIG. 4 is a side view of two lengths of pipe insulation having inter-connecting ends.  
The dashed broken lines shown in the drawings depict environmental subject matter that form no part of the claim. The pipe insulation is shown with a symbolic break in its length. The appearance of any portion of the pipe insulation between the break lines forms no part of the claim.

(56) **References Cited**

**U.S. PATENT DOCUMENTS**

2,980,568 A \* 4/1961 Kazmierowicz ..... F16L 59/024  
138/147  
3,058,860 A \* 10/1962 Rutter ..... F16L 59/023  
138/147  
3,095,337 A \* 6/1963 Chase ..... F16L 59/024  
138/155  
3,289,702 A \* 12/1966 Sherburne ..... F16L 59/024  
138/118

**1 Claim, 4 Drawing Sheets**



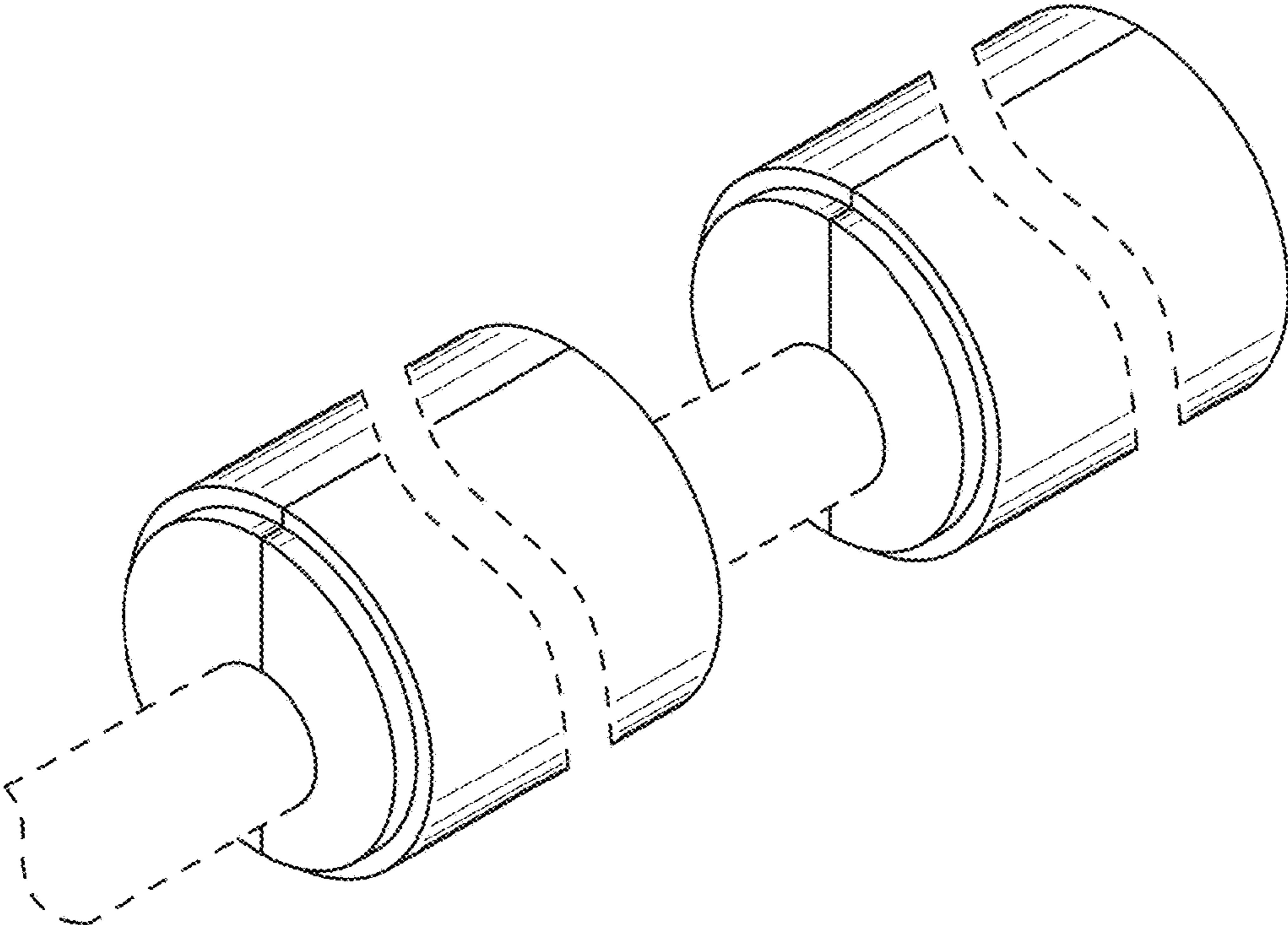
(56)

**References Cited**

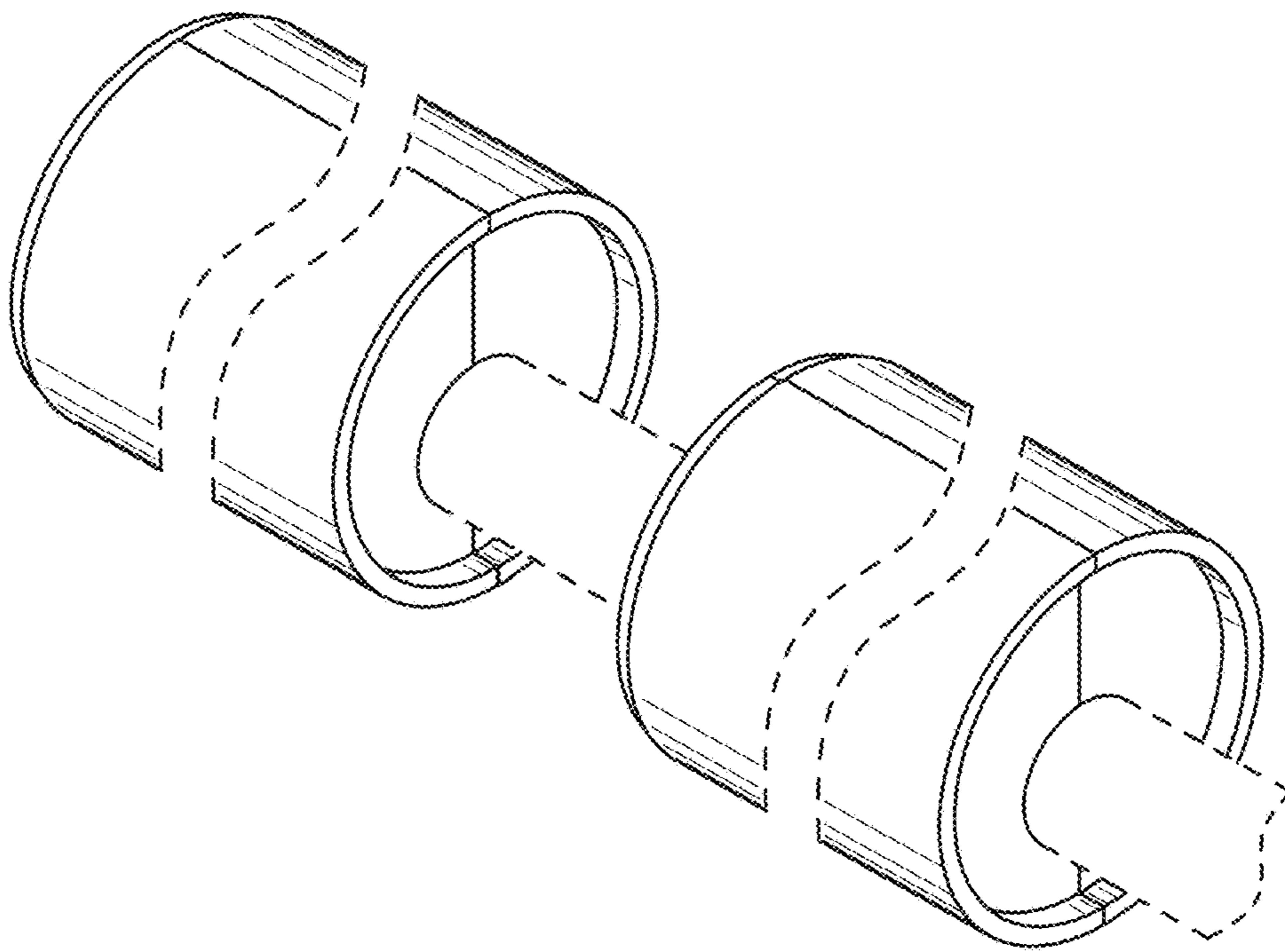
U.S. PATENT DOCUMENTS

8,555,929	B2 *	10/2013	Ertel .....	F16L 9/19 138/108
9,016,327	B2 *	4/2015	Humalainen .....	F16L 59/15 138/116
9,765,908	B2 *	9/2017	Andersson .....	F16L 5/08
2002/0079011	A1 *	6/2002	Toth .....	F16L 59/024 138/149
2002/0092577	A1 *	7/2002	Vitoorapakorm .....	F16L 3/1233 138/149
2004/0079431	A1 *	4/2004	Kissell .....	F16L 59/021 138/149
2008/0265564	A1 *	10/2008	Thomas .....	F16L 59/065 285/47
2010/0124625	A1 *	5/2010	Blair .....	B29C 47/021 428/36.5

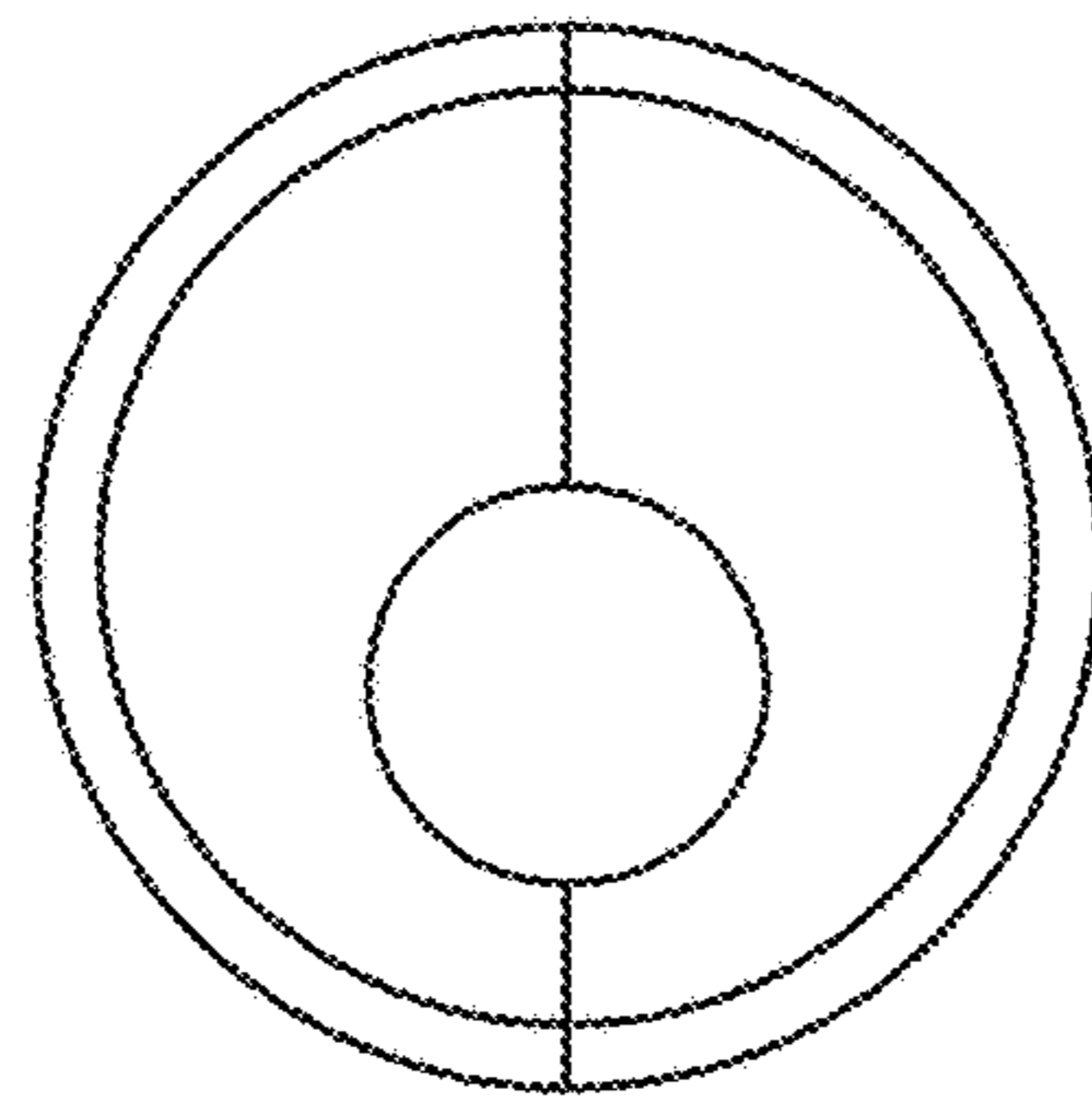
\* cited by examiner



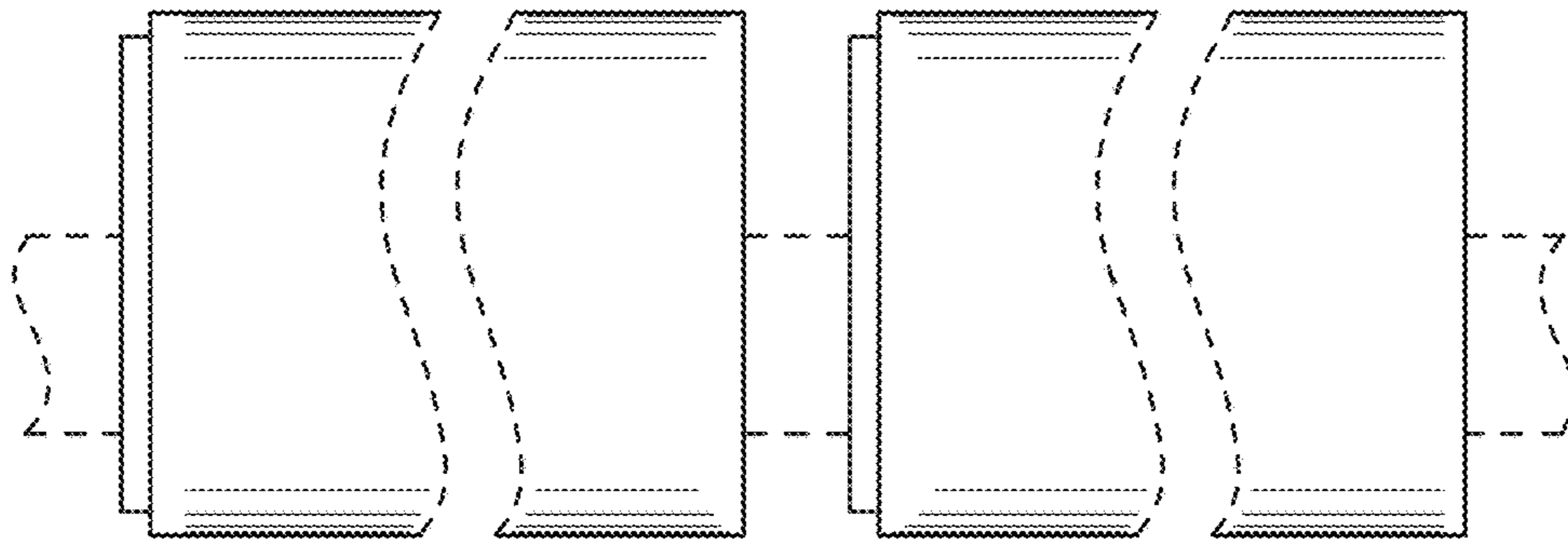
*FIG. 1*



*FIG. 2*



*FIG. 3*



*FIG. 4*