



US00D83994S

(12) **United States Design Patent**
Cole et al.

(10) **Patent No.:** **US D839,994 S**
(45) **Date of Patent:** **** Feb. 5, 2019**

(54) **CLIP FOR A SOLENOID VALVE COIL**
(71) Applicant: **Sun Hydraulics, LLC**, Sarasota, FL (US)
(72) Inventors: **Chris Cole**, Spring Branch, TX (US); **Curt Rainbolt**, Broken Arrow, OK (US); **Jake Holloway**, Owasso, OK (US); **Lowell Bonner**, Broken Arrow, OK (US)

5,808,534 A * 9/1998 Laffey H01F 7/081
335/250
5,909,725 A * 6/1999 Balsdon F02M 25/0836
123/470
6,609,508 B2 * 8/2003 Sexton F16B 2/22
123/634
6,848,672 B2 * 2/2005 Cross F16K 31/055
251/292
D628,539 S * 12/2010 Tezak D13/152
8,382,062 B2 * 2/2013 Christensen F16K 31/0675
251/129.15

(73) Assignee: **Sun Hydraulics, LLC**, Sarasota, FL (US)

* cited by examiner

(**) Term: **15 Years**

Primary Examiner — Cynthia Ramirez

Assistant Examiner — Gino Colan

(21) Appl. No.: **29/617,479**

(22) Filed: **Sep. 14, 2017**

(51) **LOC (11) Cl.** **23-01**

(52) **U.S. Cl.**
USPC **D23/249**

(58) **Field of Classification Search**
USPC D23/233–250; D8/356, 373, 349, 354,
D8/382, 380, 394, 385; D29/130;
52/520, 285.3; 248/74.1; 123/470, 634;
335/250, 251, 68; 251/129.15, 292;
D26/138; D34/27; D12/411
CPC E04B 2001/405; E04B 1/5818; E04B
2001/2644; F16B 12/32; F16B 2/24;
F16B 5/02; F16B 5/128; F16B 2/241;
F16B 37/02; F16B 2015/0076; F16B
9/023

See application file for complete search history.

(56) **References Cited**

U.S. PATENT DOCUMENTS

3,727,160 A * 4/1973 Churchill F16B 21/16
335/251
3,947,788 A * 3/1976 Berry H01F 3/02
335/68

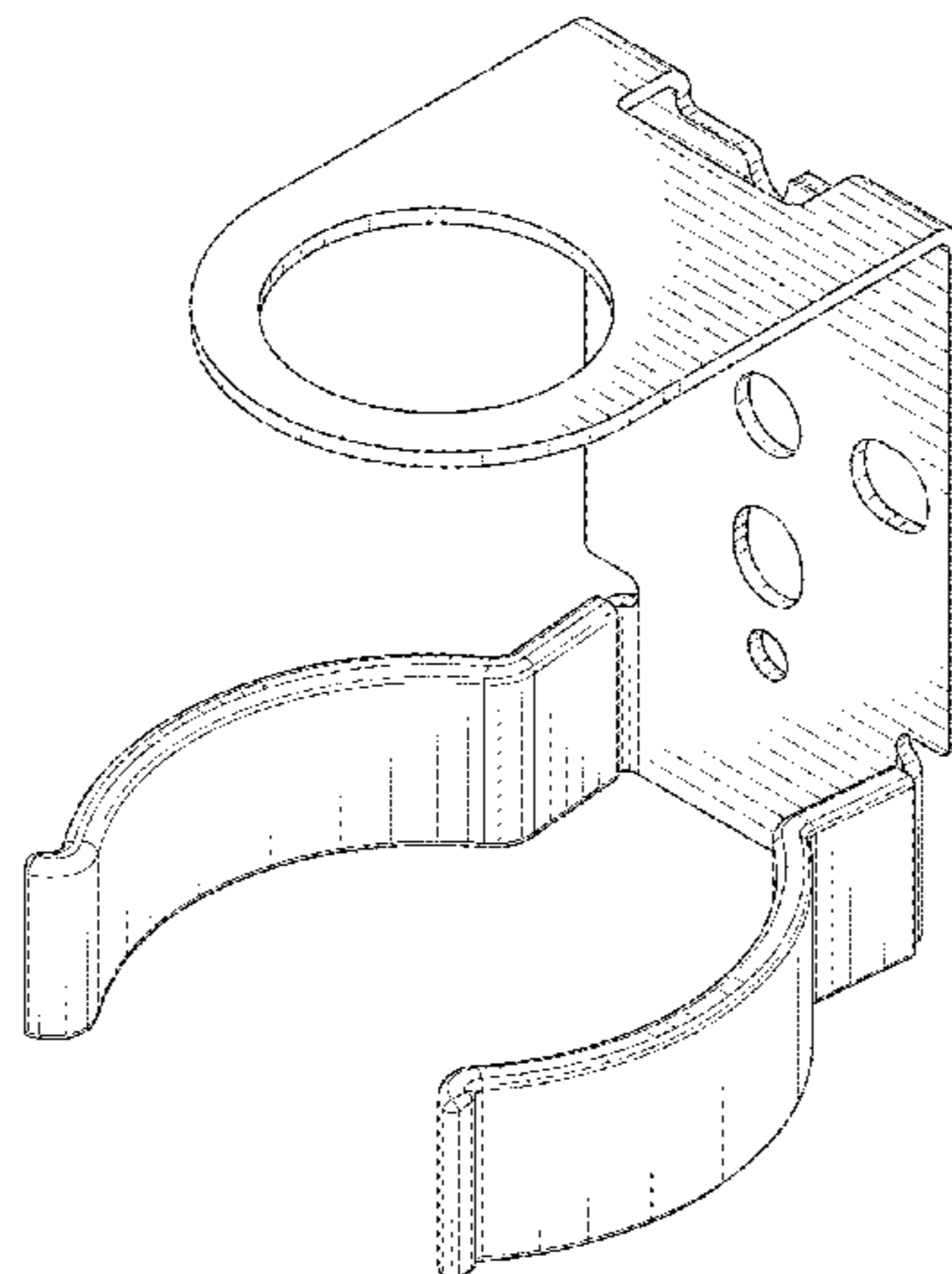
(57) **CLAIM**

The ornamental design for a clip for a solenoid valve coil, as shown and described.

DESCRIPTION

FIG. 1 is a downward perspective view from a left front corner of a clip for a solenoid valve coil showing our new design;
FIG. 2 is an upward perspective view from a right rear corner thereof;
FIG. 3 is top plan view thereof;
FIG. 4 is bottom plan view thereof;
FIG. 5 is a front elevational view thereof;
FIG. 6 is a rear elevational view thereof; and,
FIG. 7 is a left side elevational view thereof, wherein a right side elevational view is a mirror image of the left side elevational view.

1 Claim, 7 Drawing Sheets



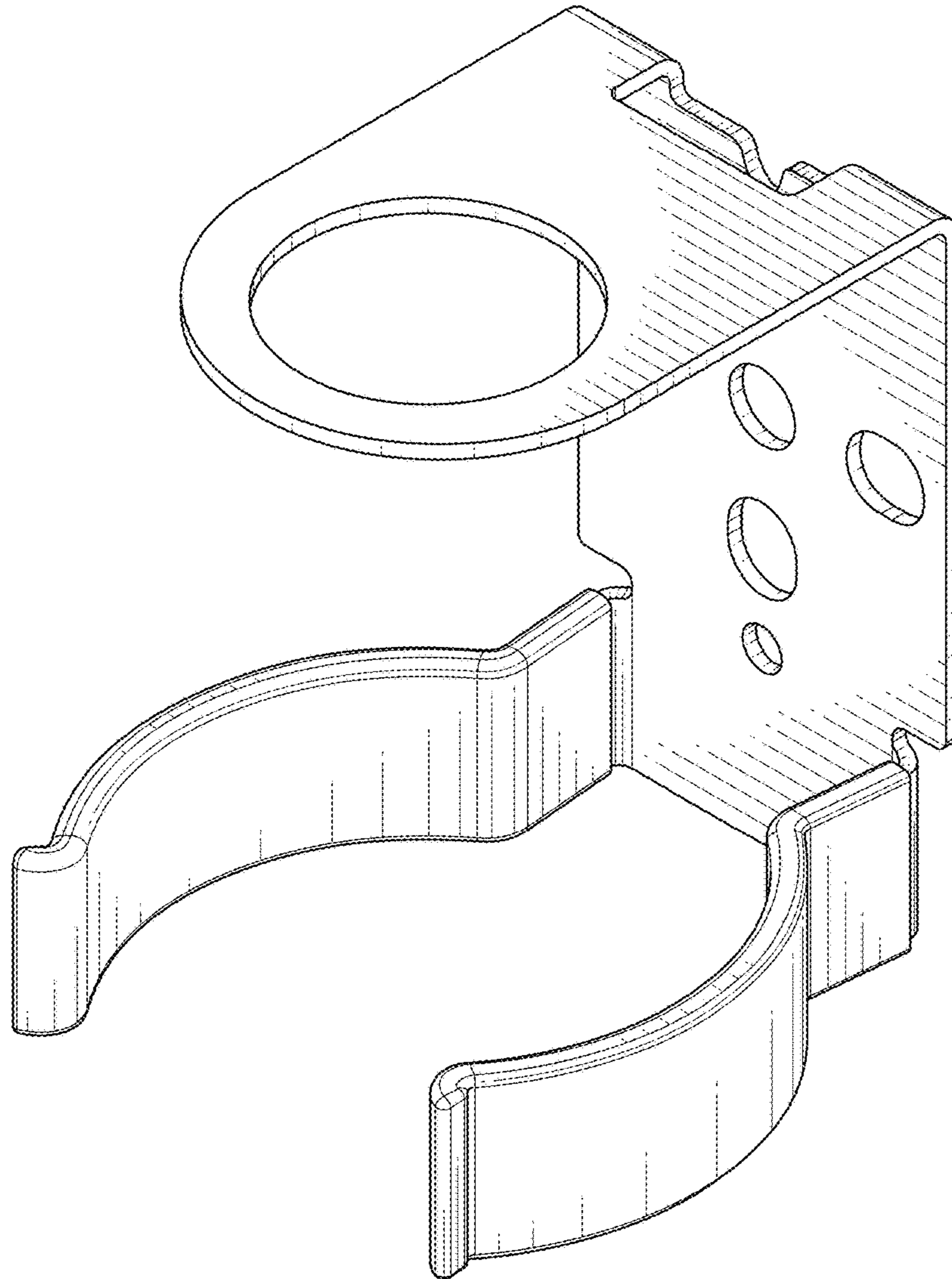


FIG. 1

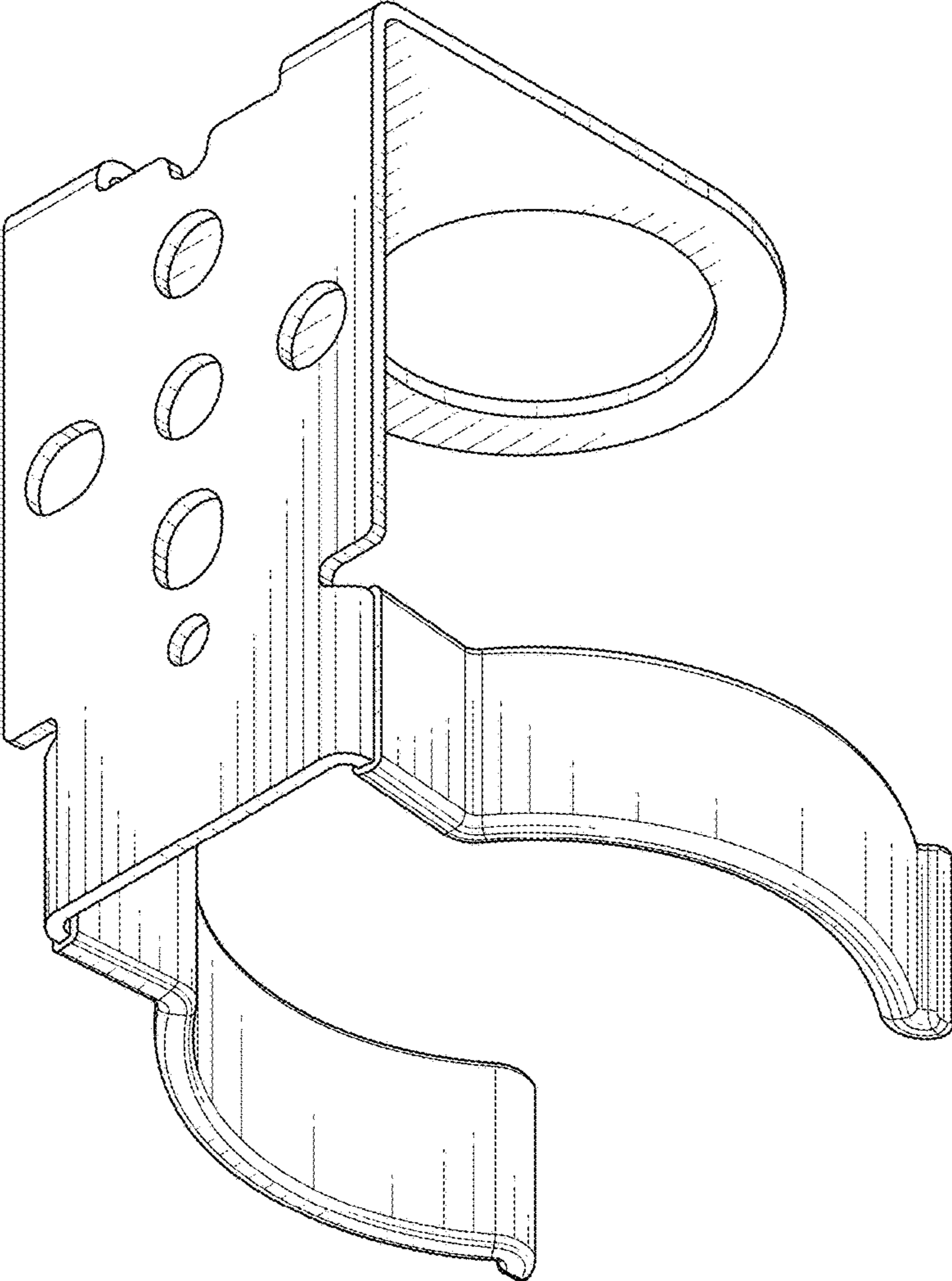


FIG. 2

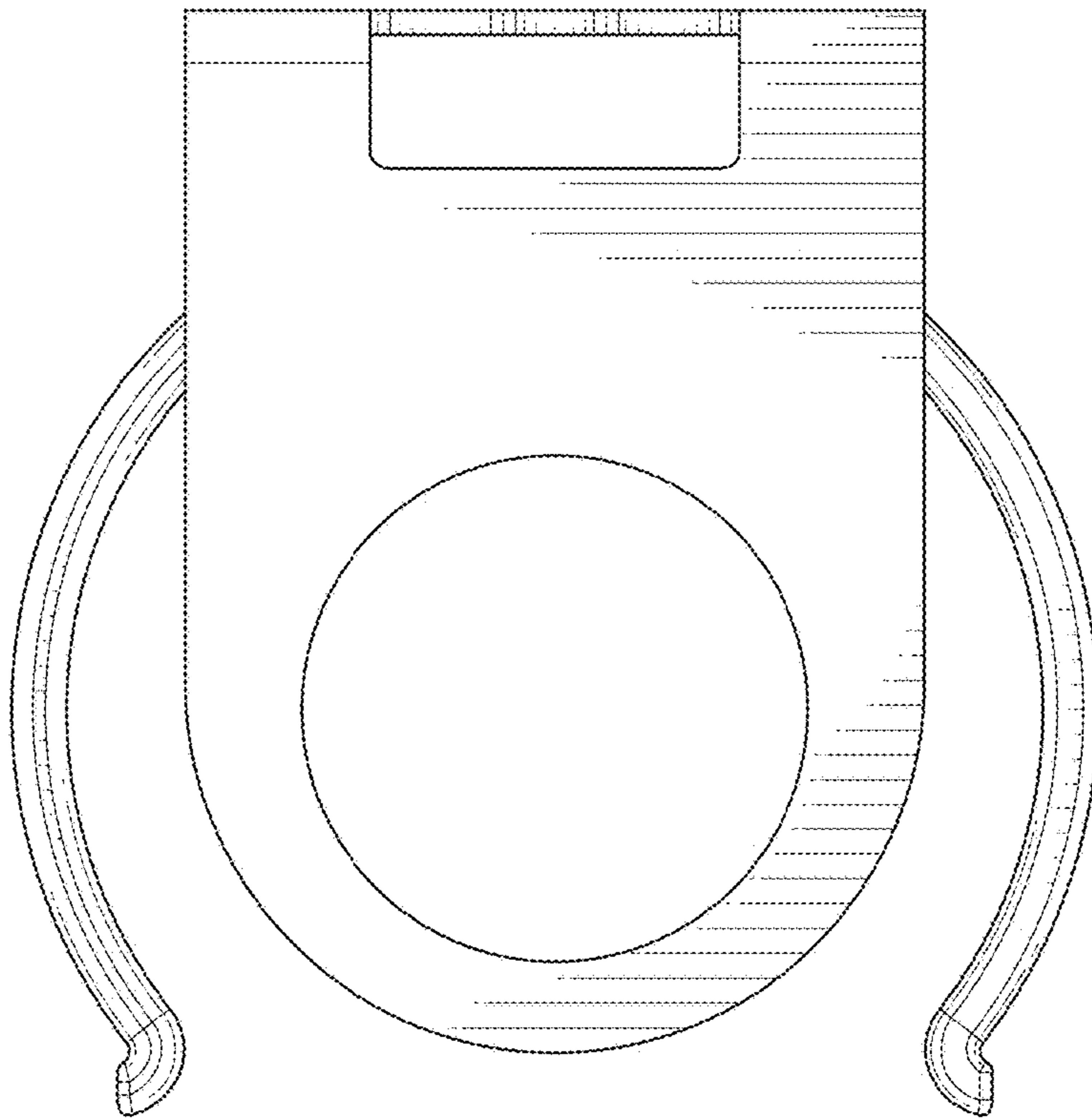


FIG. 3

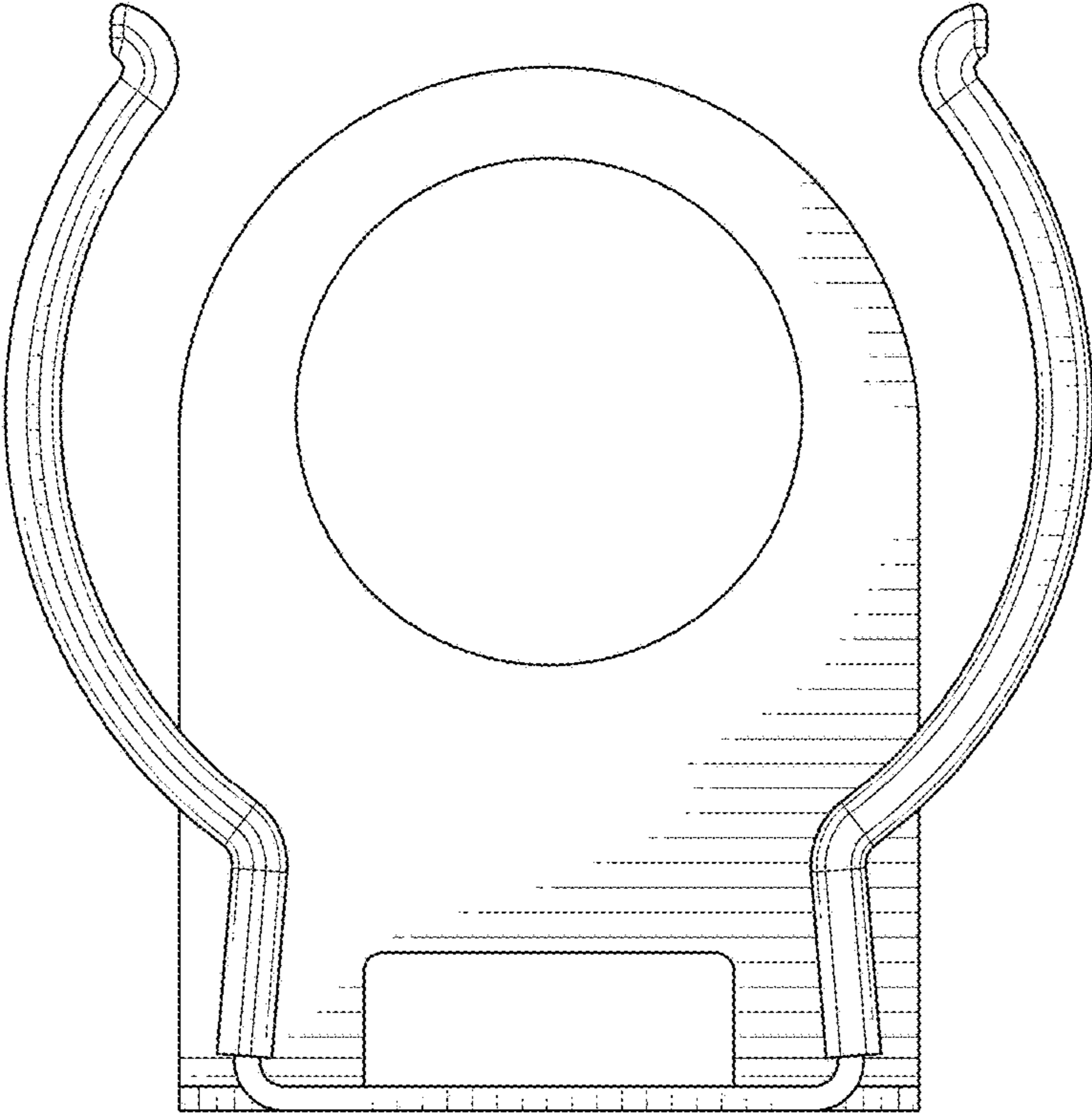


FIG. 4

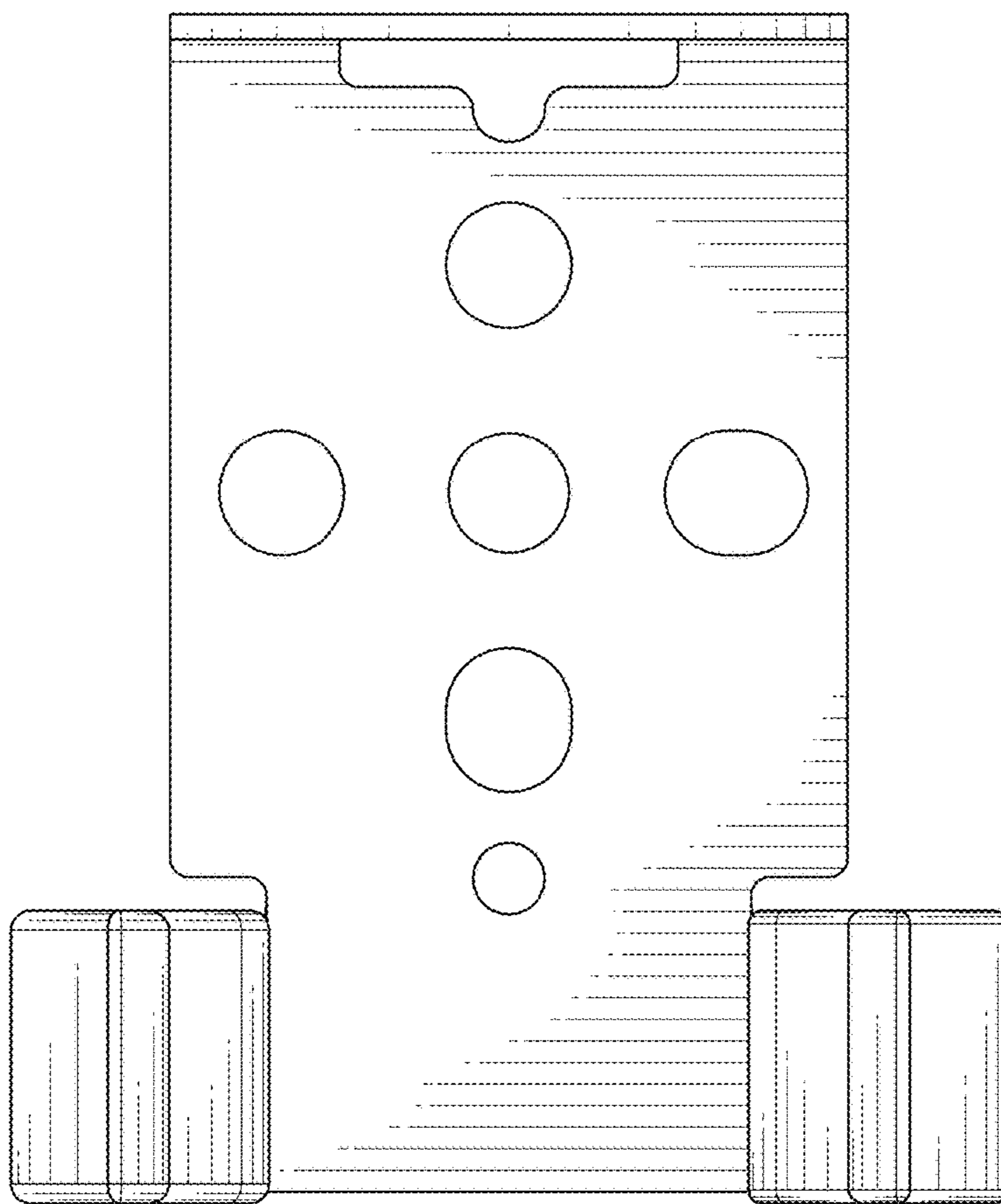


FIG. 5

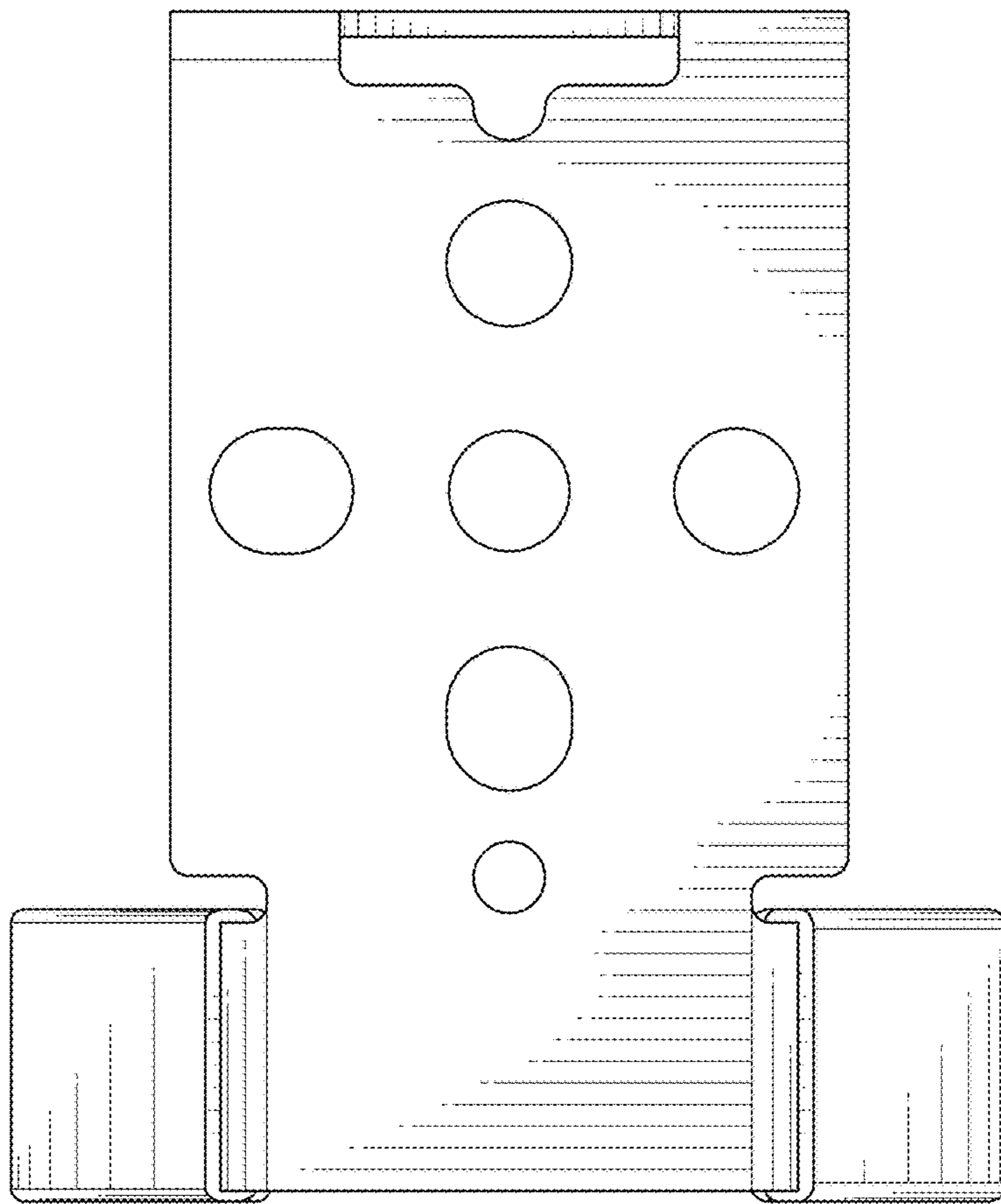


FIG. 6

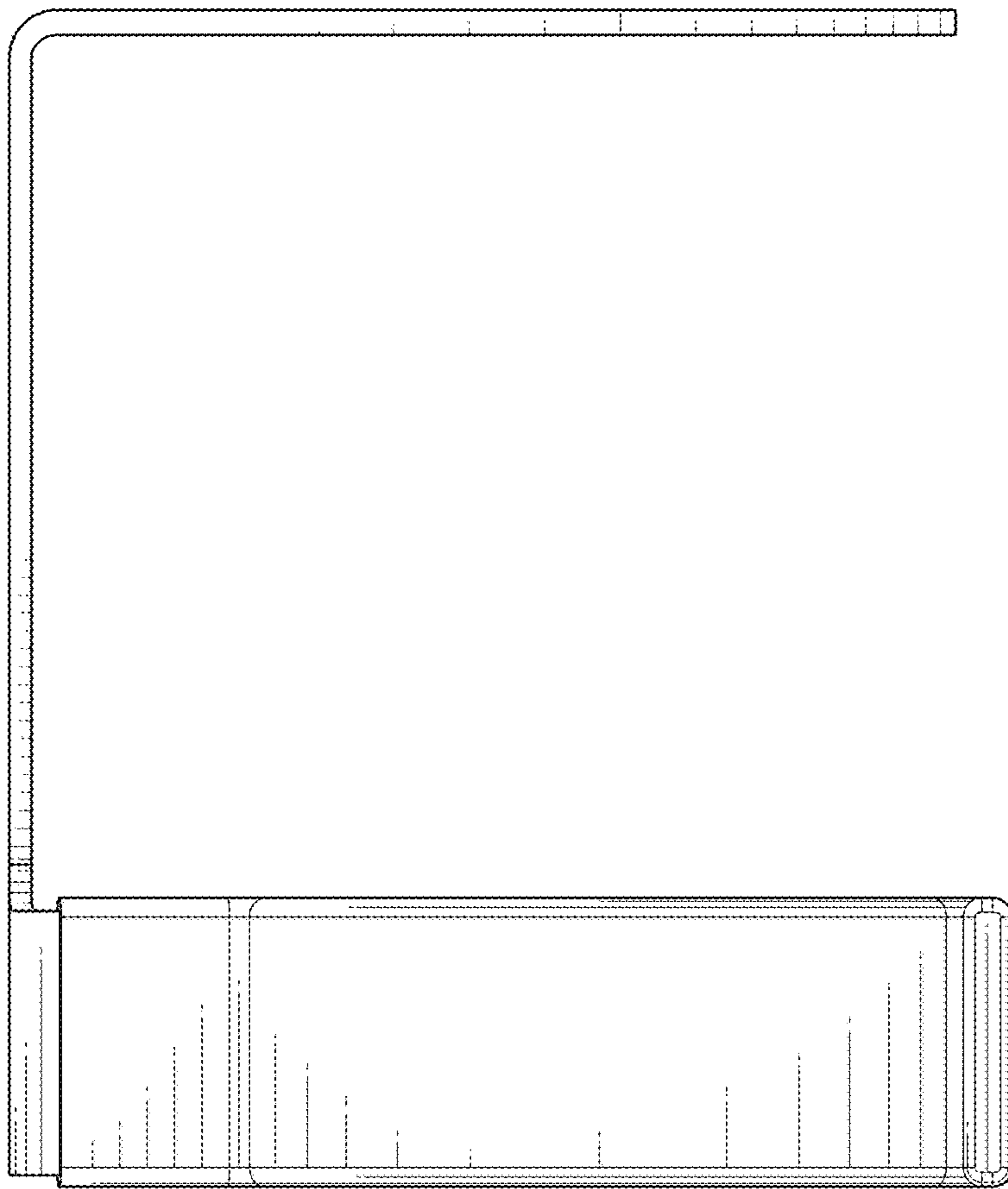


FIG. 7