



US00D83993S

(12) **United States Design Patent**
Garland

(10) **Patent No.:** **US D839,993 S**

(45) **Date of Patent:** **** Feb. 5, 2019**

(54) **FAUCET BRIDGE**

(71) Applicant: **DELTA FAUCET COMPANY,**
Indianapolis, IN (US)

(72) Inventor: **Celine Kwok Garland,** Zionsville, IN
(US)

(73) Assignee: **DELTA FAUCET COMPANY,**
Indianapolis, IN (US)

(**) Term: **15 Years**

(21) Appl. No.: **29/625,059**

(22) Filed: **Nov. 7, 2017**

(51) **LOC (11) Cl.** **23-01**

(52) **U.S. Cl.**
USPC **D23/242**

(58) **Field of Classification Search**
USPC D23/238-243, 249, 255, 257;
D08/307-308
CPC E03C 1/04; E03C 1/0401; E03C 1/0402;
E03C 1/0404; E03C 1/0412; Y10T
137/9464
See application file for complete search history.

(56) **References Cited**

U.S. PATENT DOCUMENTS

D447,542 S * 9/2001 Dretzka D23/252
D522,096 S * 5/2006 Fritz D23/252

D540,918 S * 4/2007 Haug D23/241
D596,715 S * 7/2009 Haug D23/254
D685,880 S * 7/2013 Fritz D23/242
D714,911 S * 10/2014 Cai D23/249
D793,538 S * 8/2017 Fritz D23/252
D797,245 S * 9/2017 Downey D23/242
D810,884 S * 2/2018 Garland D23/252

* cited by examiner

Primary Examiner — Robert A Delehanty

(74) *Attorney, Agent, or Firm* — Edgar A. Zarins; Nirav
D. Parikh

(57) **CLAIM**

The ornamental design for a faucet bridge, as shown and
described.

DESCRIPTION

FIG. 1 is a perspective view of a faucet bridge showing my
new design;

FIG. 2 is a top plan view thereof;

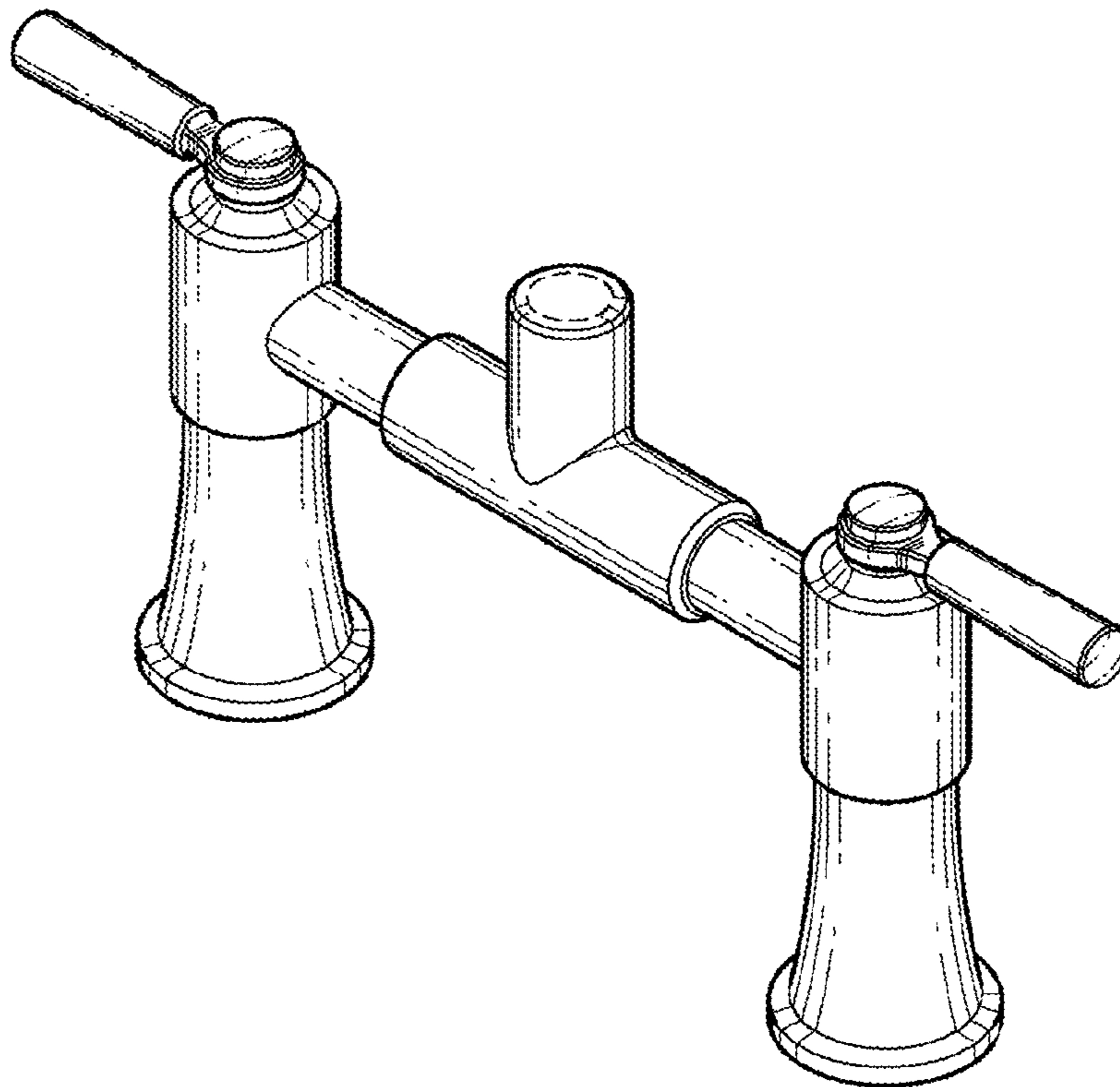
FIG. 3 is a front side view thereof, the opposite side being
a mirror image of the side shown;

FIG. 4 is a bottom view thereof; and,

FIG. 5 is a first end view thereof, the opposite end being a
mirror image of the end shown.

The broken-line disclosure in the view represents a portion
of the faucet bridge in which the claimed design is embod-
ied, but which forms no part of the claimed design.

1 Claim, 2 Drawing Sheets



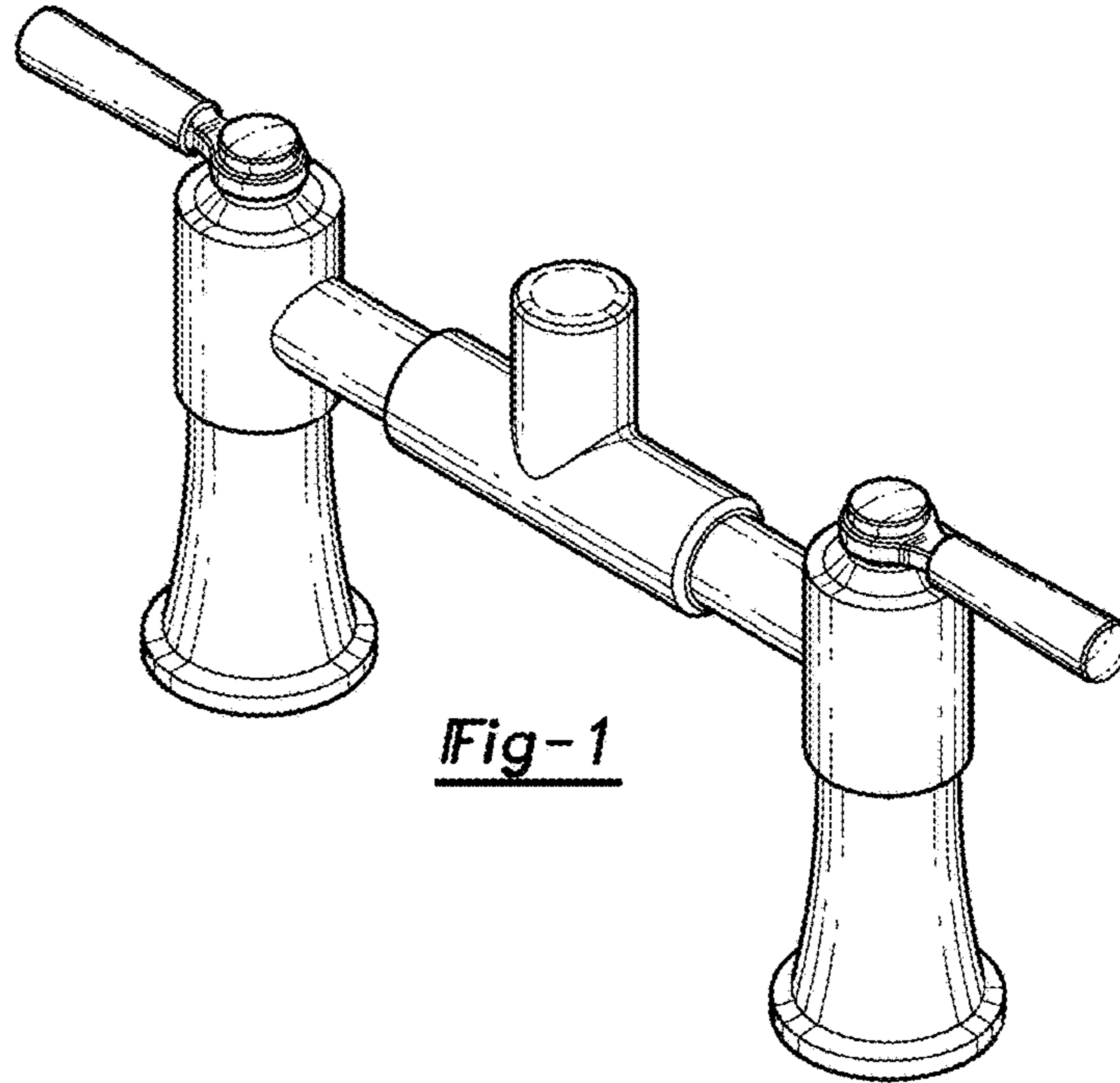


Fig-1

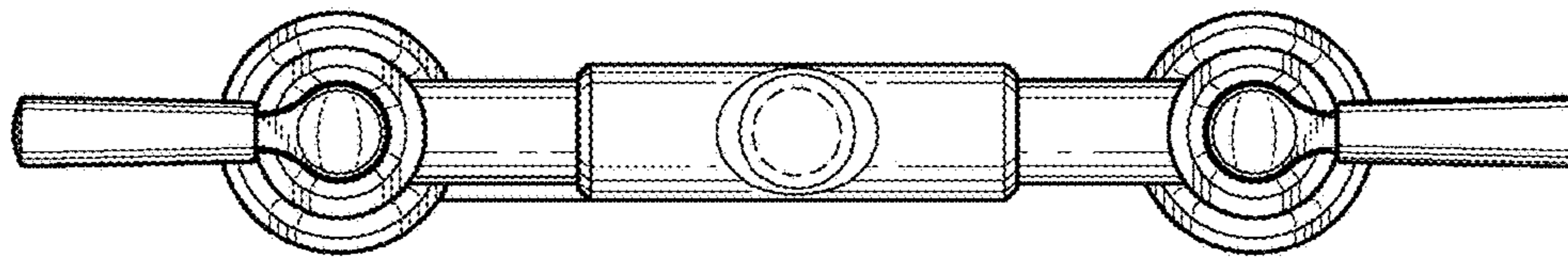


Fig-2

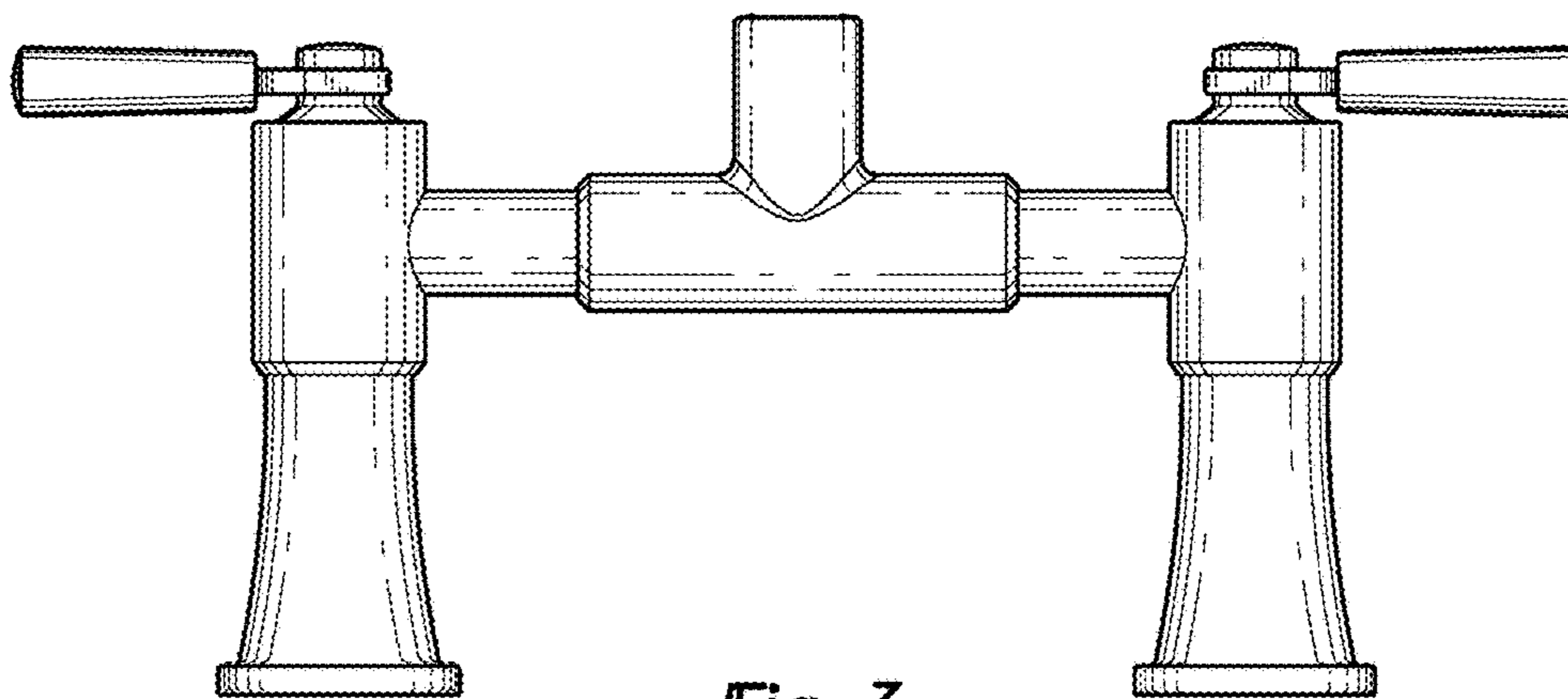


Fig-3

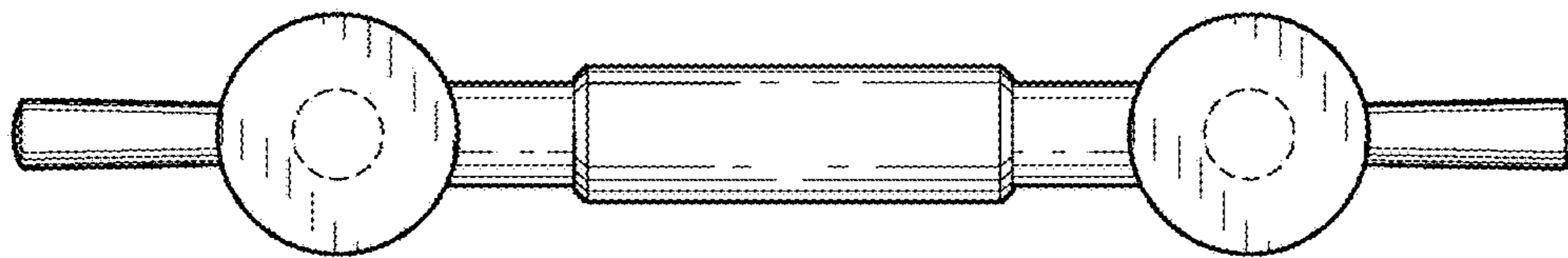


Fig-4

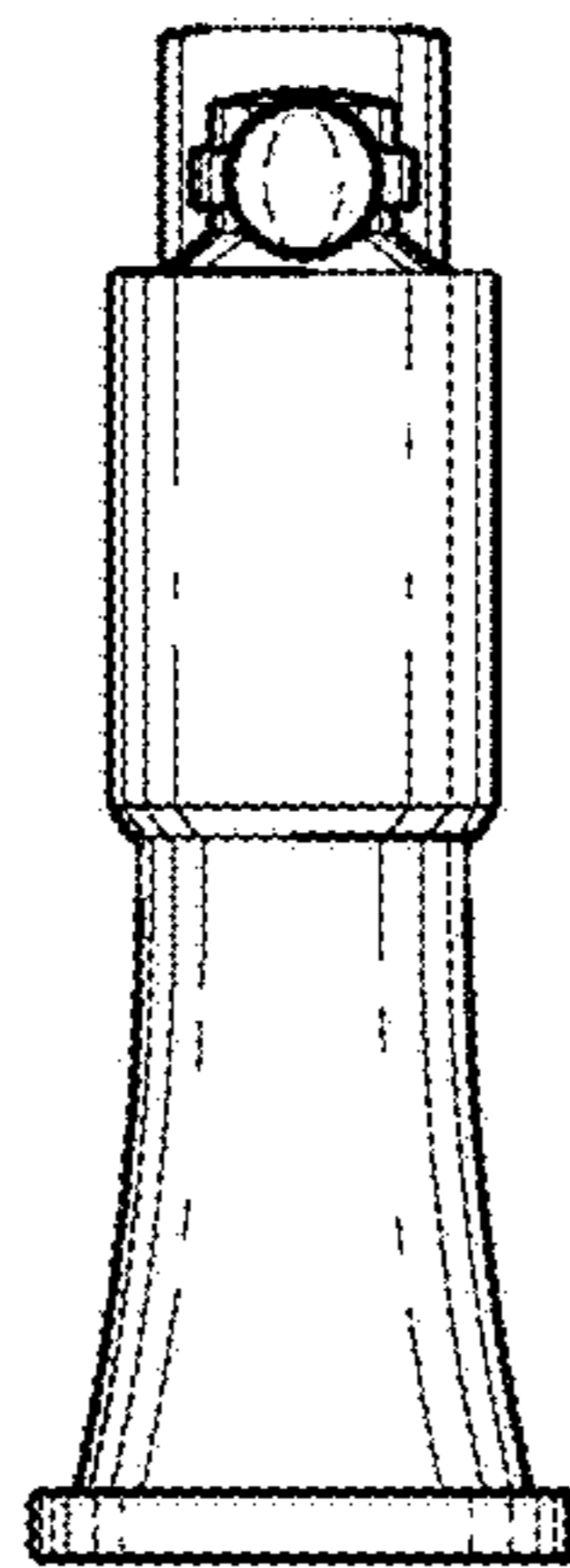


Fig-5