



US00D839990S

(12) **United States Design Patent** (10) **Patent No.:** **US D839,990 S**  
**Burke et al.** (45) **Date of Patent:** **\*\* Feb. 5, 2019**

(54) **FLUID DISPENSER**

(71) Applicant: **Whirlpool Corporation**, Benton Harbor, MI (US)

(72) Inventors: **Julia Burke**, Chicago, IL (US); **Daniel Clements**, Saint Joseph, MI (US); **Rex Wilson**, Saint Joseph, MI (US)

(73) Assignee: **Whirlpool Corporation**, Benton Harbor, MI (US)

(\*\*) Term: **15 Years**

(21) Appl. No.: **29/611,624**

(22) Filed: **Jul. 24, 2017**

(51) **LOC (11) Cl.** ..... **23-01**

(52) **U.S. Cl.**  
USPC ..... **D23/209; D7/306**

(58) **Field of Classification Search**  
USPC ..... D6/545, 515-523; 211/13.1, 16, 44, 211/49.1, 50, 59.2, 86.01; 206/389, 391; 221/282, 283; 222/173, 181.1; 312/34, 312/34.8, 34.22, 309.1; D23/209, 200, D23/207, 213, 225, 238, 318; D7/305-308, 311, 398  
CPC ..... A47K 5/14; A47K 5/1217; A47K 5/12; B05B 11/3087; B05B 7/0037  
See application file for complete search history.

(56) **References Cited**

U.S. PATENT DOCUMENTS

D321,453 S *	11/1991	Ophardt	D6/545
D340,375 S *	10/1993	Hines	D6/523
D362,779 S *	10/1995	Chen	D6/518
D397,884 S *	9/1998	Banach	D6/555
D458,788 S *	6/2002	Real	D6/545
D529,739 S *	10/2006	Bertucci	D6/545
D680,781 S *	4/2013	Marshall	D6/545
D704,950 S *	5/2014	Bogner	D6/518
D716,580 S *	11/2014	Wengreen	D6/567

D729,544 S *	5/2015	Wengreen	D6/567
D732,309 S *	6/2015	Lisbona Vives	D6/545
D772,598 S *	11/2016	Zhang	D6/515
2008/0174219 A1 *	7/2008	Kim	B67D 1/0857 312/405

OTHER PUBLICATIONS

Amazon.com, EveryDrop Water Dispenser, Jan. 19, 2018, <https://www.amazon.com/Whirlpool-EDRD101G1W-EveryDrop-Water-Dispenser/dp/B078SLQ5NH>.\*

\* cited by examiner

*Primary Examiner* — David G Muller

*Assistant Examiner* — Nathan M Johnston

(74) *Attorney, Agent, or Firm* — Nyemaster Goode, P.C.

(57) **CLAIM**

We claim the ornamental design for a fluid dispenser, as shown and described.

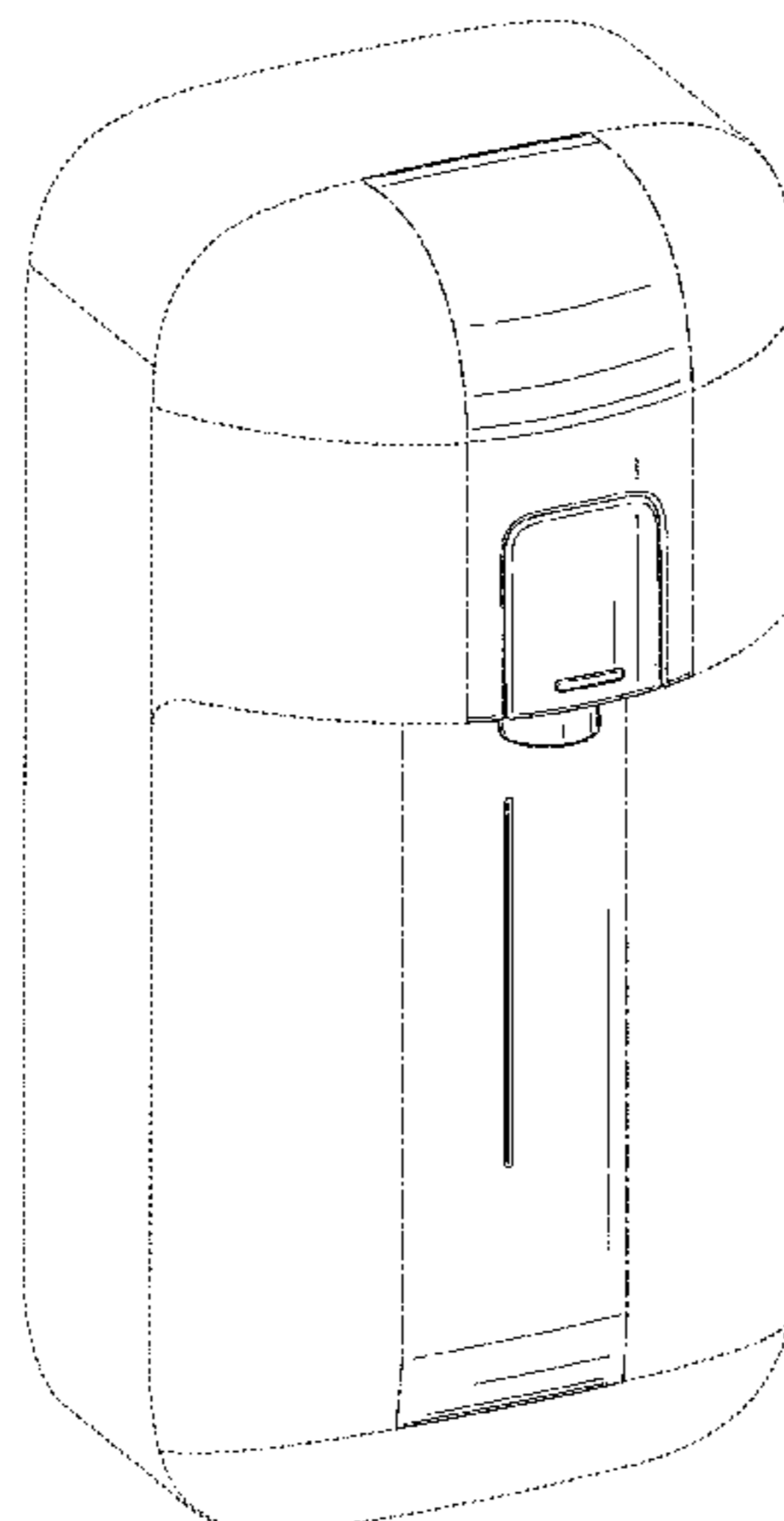
**DESCRIPTION**

FIG. 1 is an upper left perspective view of a fluid dispense showing our new design;  
FIG. 2 is a front elevation view thereof;  
FIG. 3 is a rear elevation view thereof;  
FIG. 4 is a left side elevation view thereof;  
FIG. 5 is a right side elevation view thereof;  
FIG. 6 is a top plan view thereof;  
FIG. 7 is a bottom plan view thereof; and,  
FIG. 8 is an enlarged perspective view of the underside of the lip of the liquid dispenser showing the outlet enlarged thereof.

The broken lines in the figures are for contextual purposes or show the environment and form no part of the claimed design.

The dot-dash line adjacent unshaded areas represent bounds of the claimed design and form no part of the claimed design themselves.

**1 Claim, 8 Drawing Sheets**



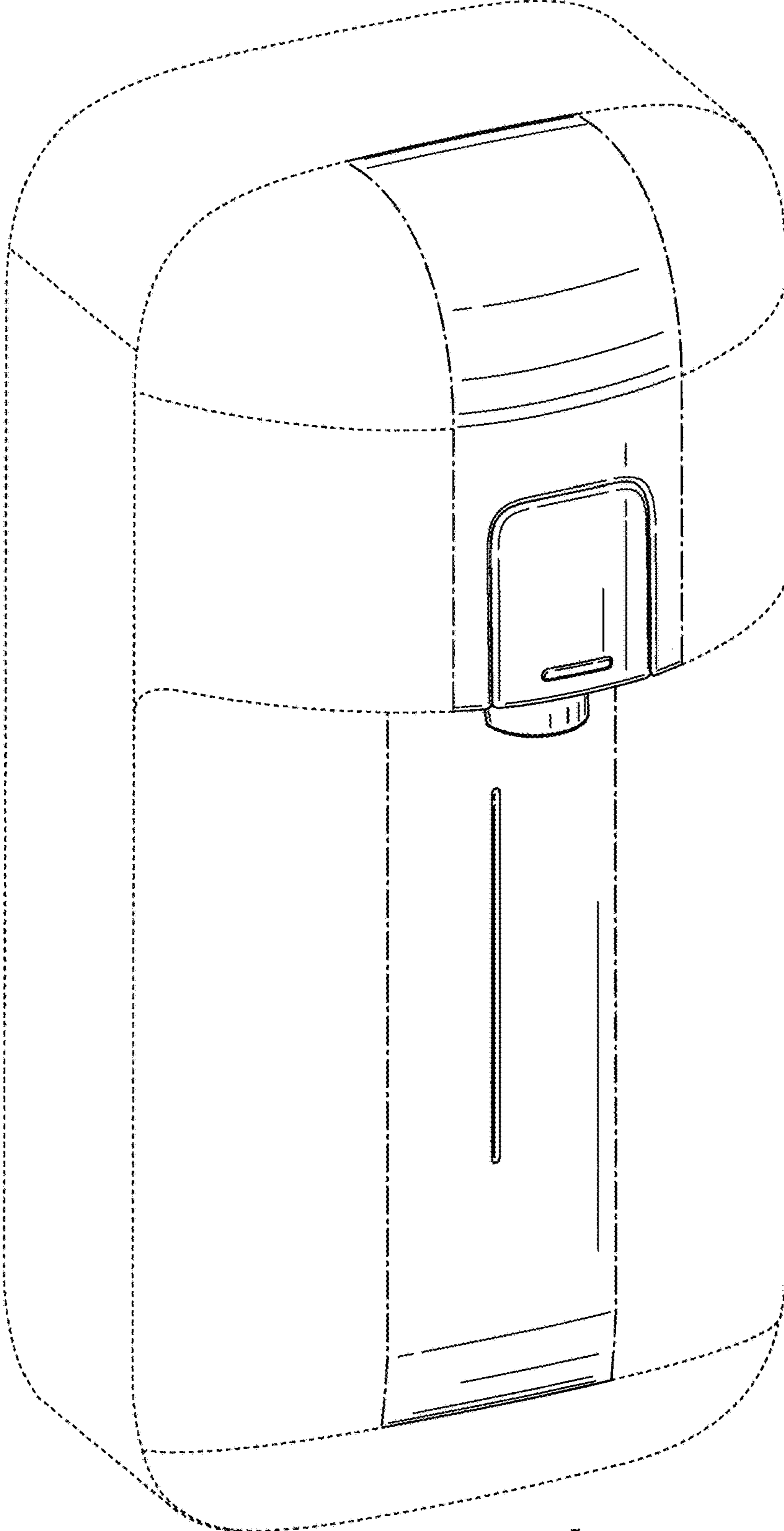


FIG. 1

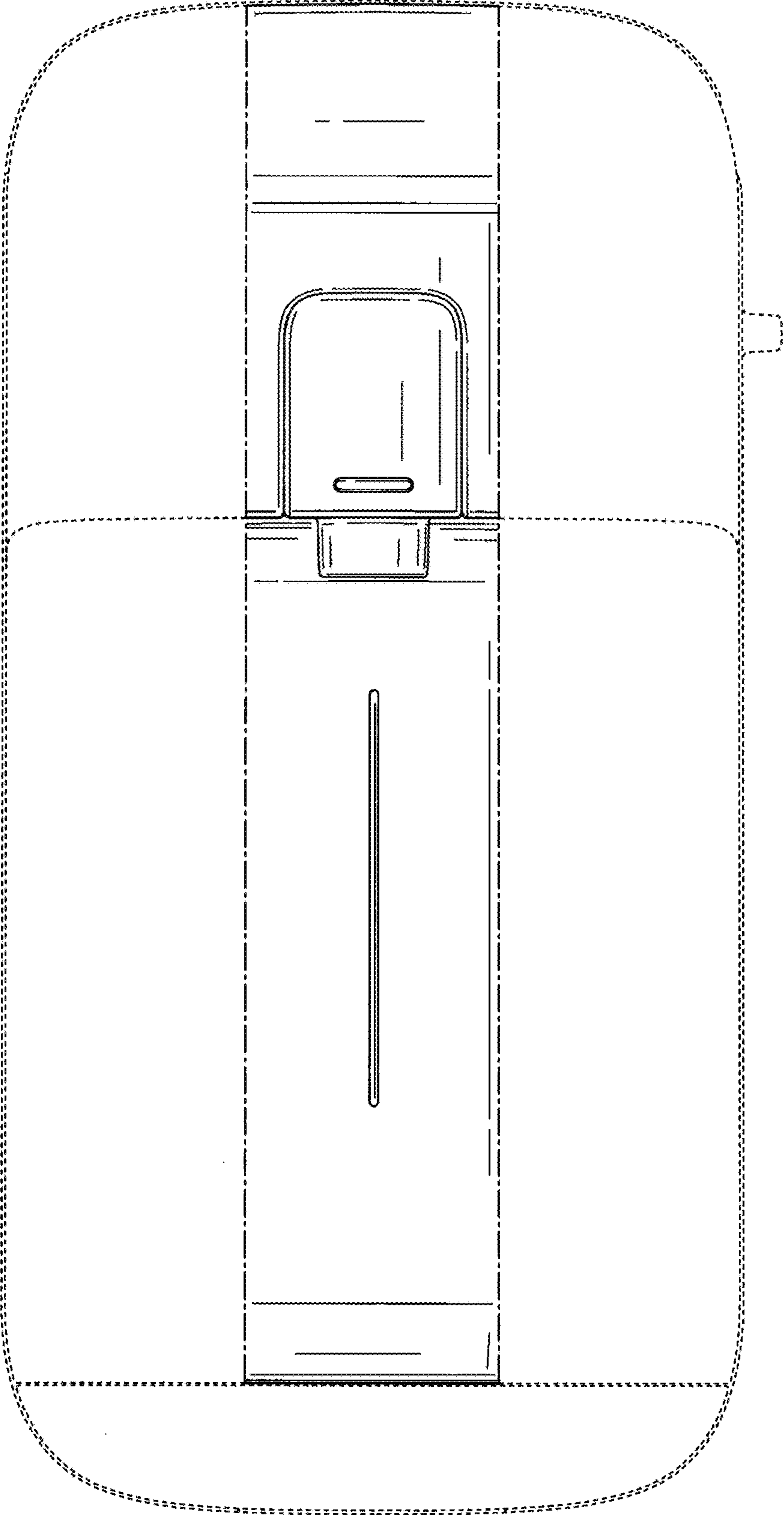


FIG. 2

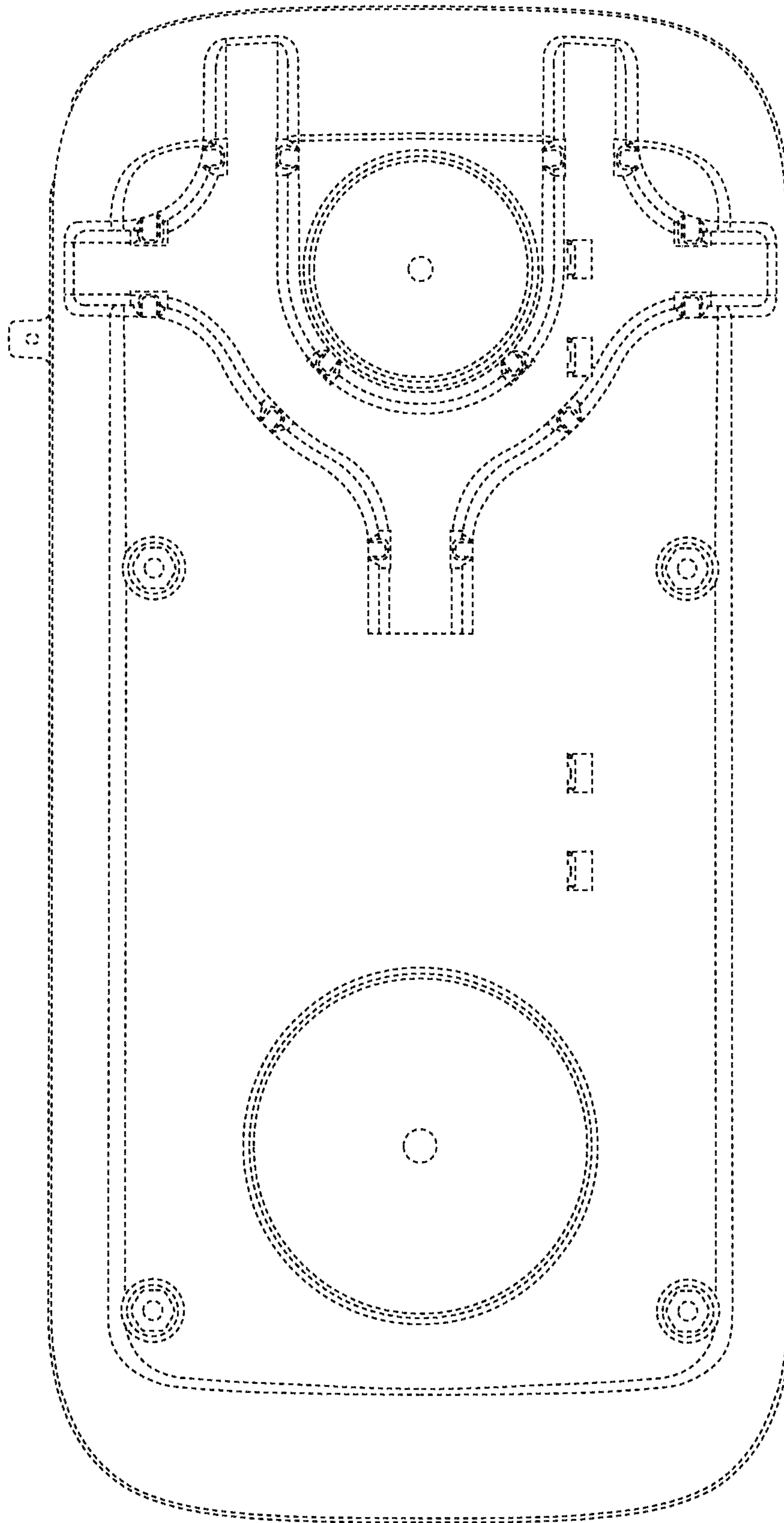


FIG. 3

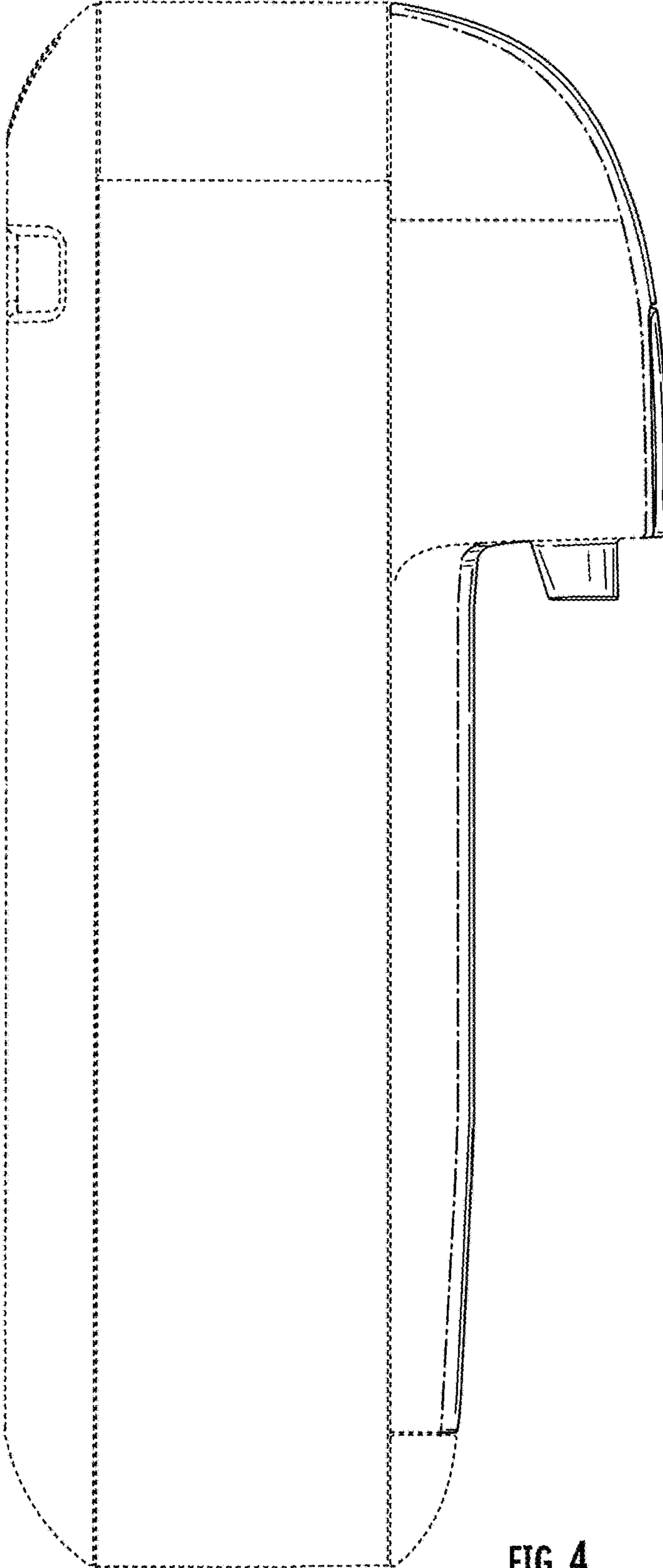


FIG. 4

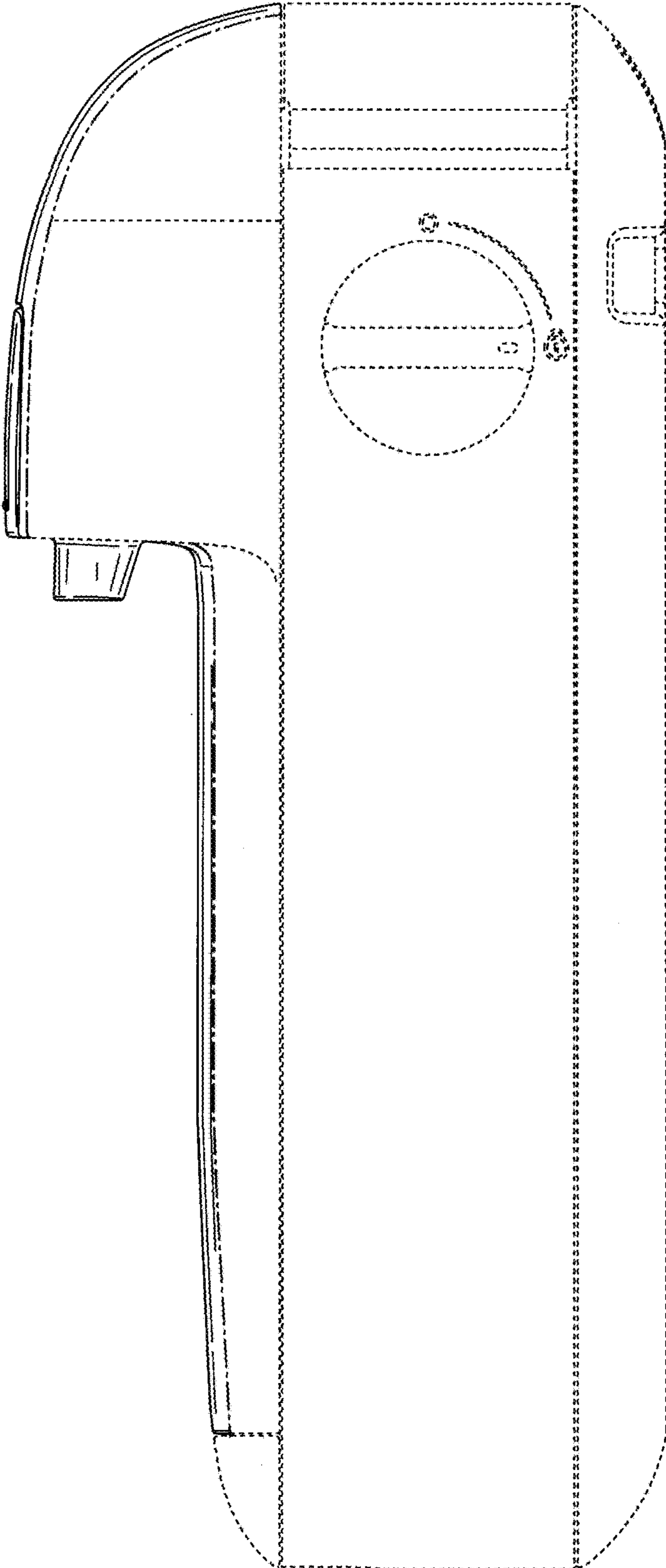


FIG. 5

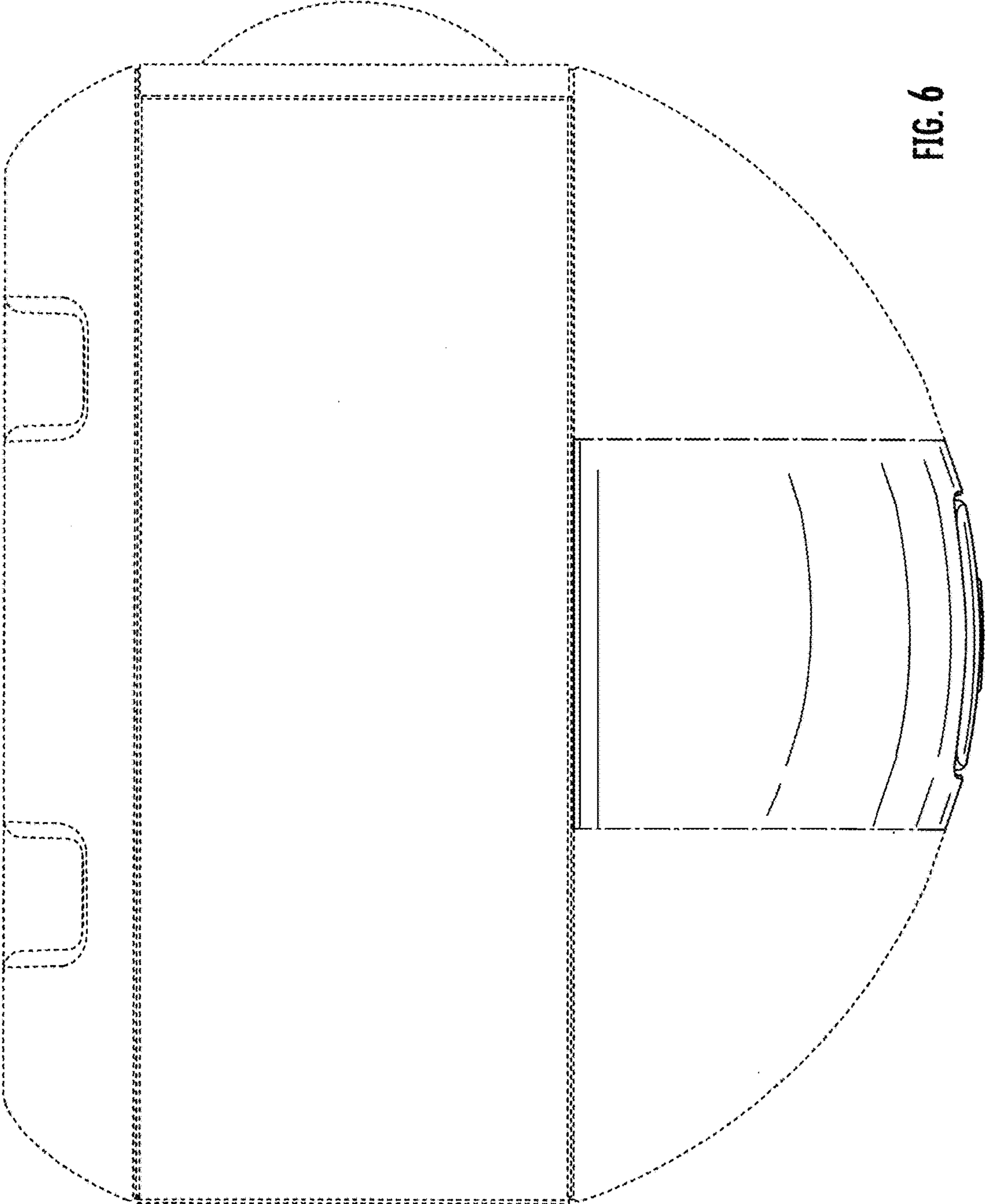


FIG. 6

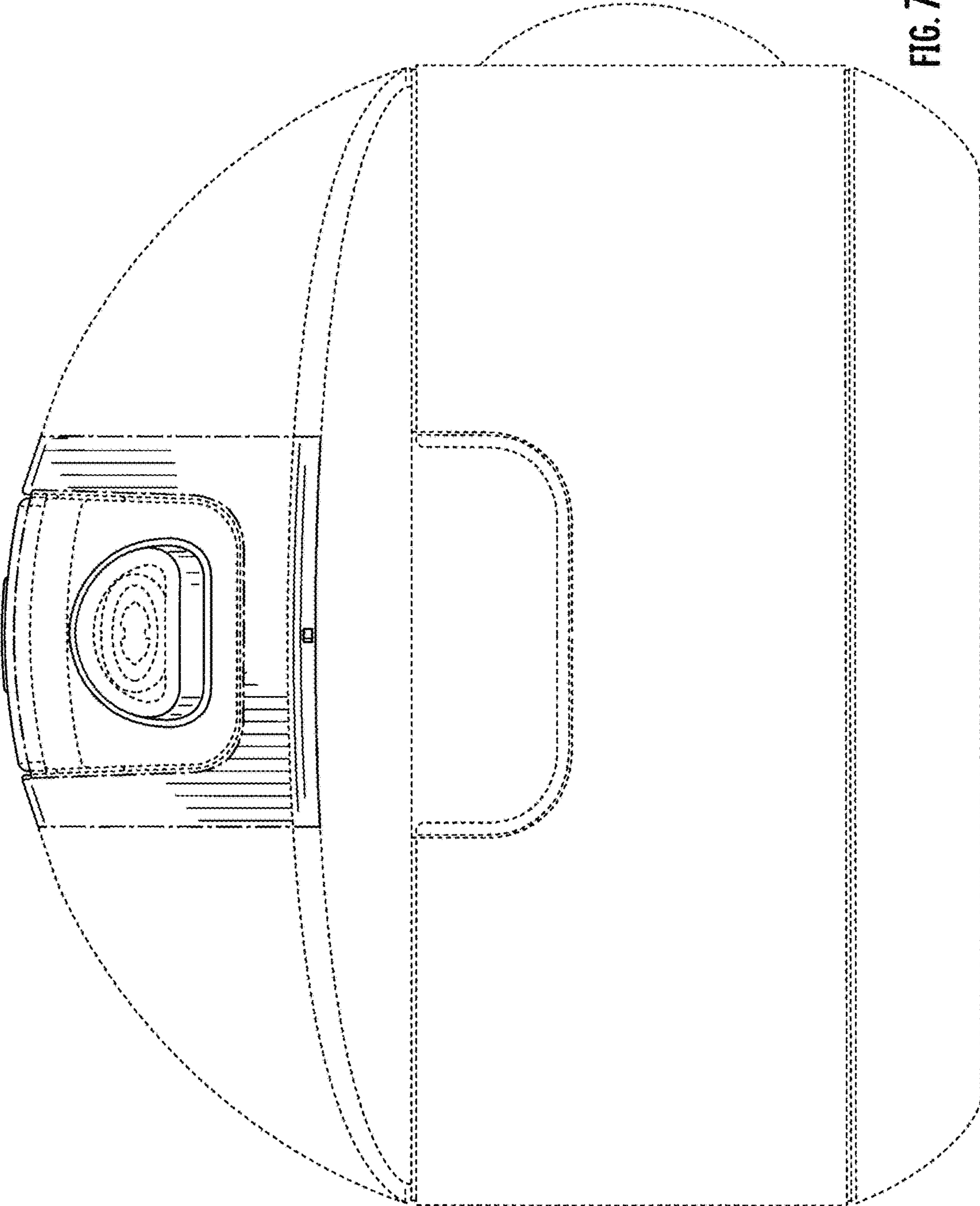


FIG. 7



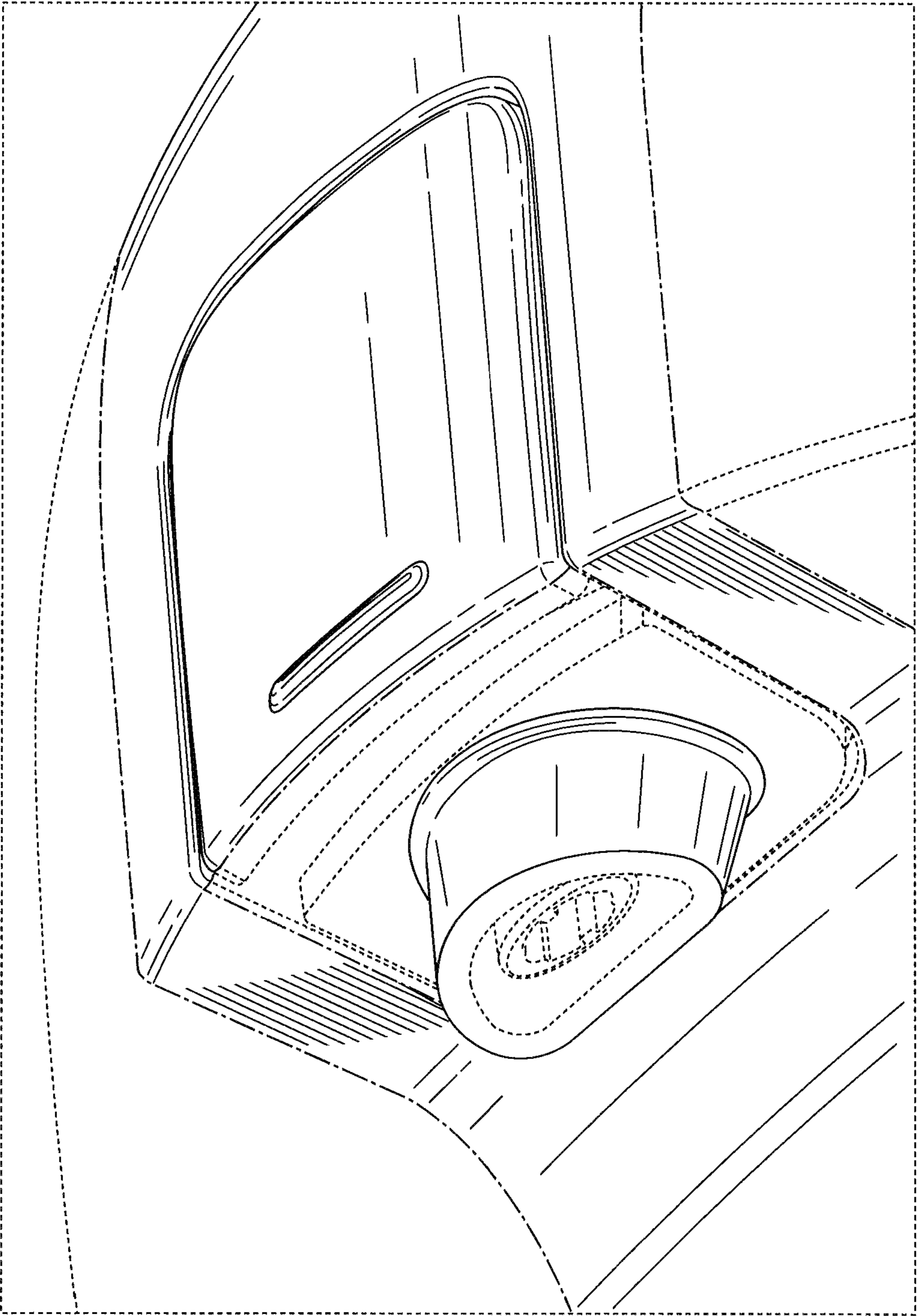


FIG. 8