

US00D839989S

(12) **United States Design Patent** (10) **Patent No.:** **US D839,989 S**
Denton (45) **Date of Patent:** **** Feb. 5, 2019**

(54) **FISHING ROD HOLDER**
(71) Applicant: **Dennis Nelson Denton**, Belmont, NC (US)
(72) Inventor: **Dennis Nelson Denton**, Belmont, NC (US)
(**) Term: **15 Years**
(21) Appl. No.: **29/629,652**
(22) Filed: **Dec. 14, 2017**
(51) **LOC (11) Cl.** **22-05**
(52) **U.S. Cl.**
USPC **D22/147**
(58) **Field of Classification Search**
USPC D22/147; 43/18.1 R, 21.2; 248/223.41, 248/224.51, 224.61, 467, 475.1, 289.11, 248/278.1, 314, 512, 514-515, 519, 248/528-529, 231.31, 538; D6/552-553
CPC .. A01K 97/10; B60R 1/02; B60R 1/04; B60R 1/0605; Y10T 403/325557
See application file for complete search history.

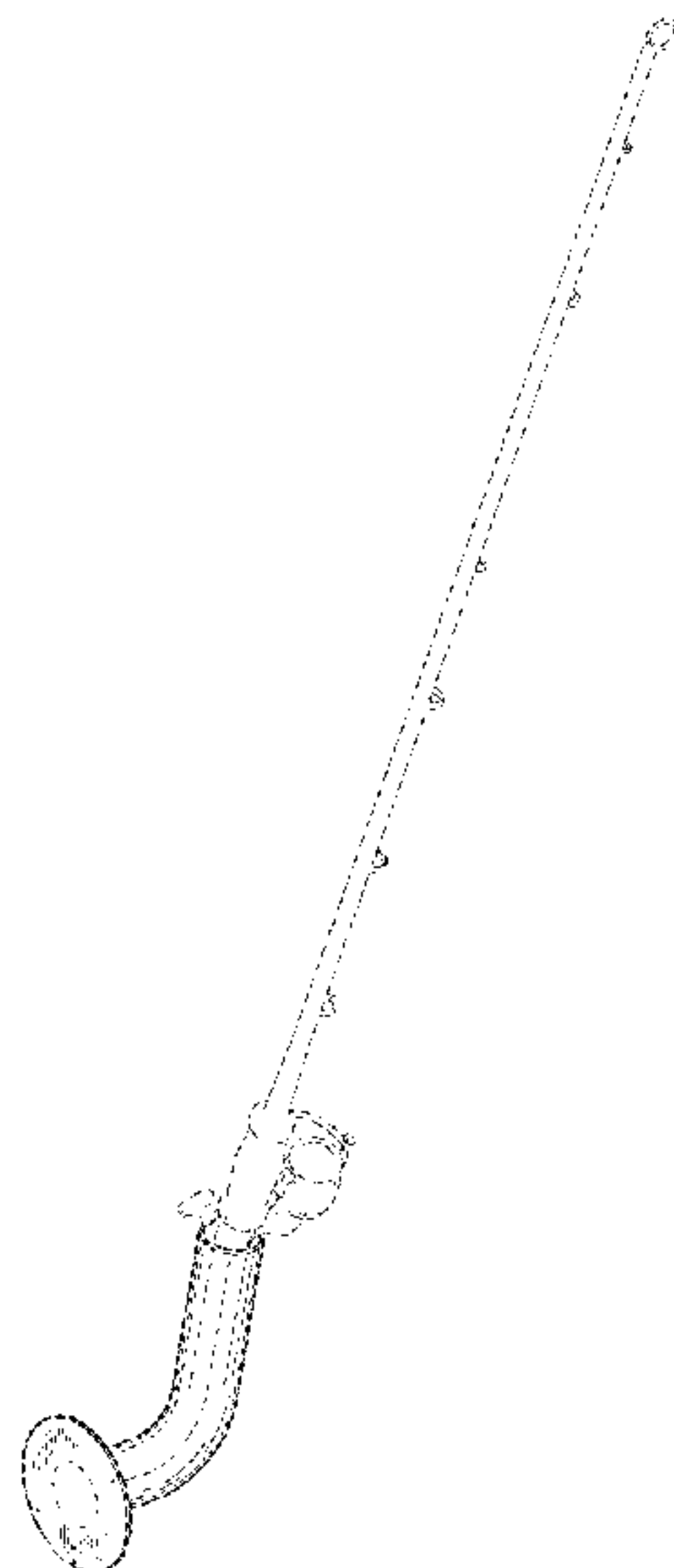
(56) **References Cited**
U.S. PATENT DOCUMENTS
3,010,687 A * 11/1961 Hagberg A01K 97/10 248/278.1
3,063,668 A * 11/1962 Yohe A01K 91/08 248/538
3,131,251 A * 4/1964 Ryan B60R 1/04 248/467
3,747,891 A * 7/1973 Englander B60R 1/06 248/231.31
3,783,547 A 1/1974 Bystrom et al.
3,902,268 A 9/1975 Talbot
4,093,171 A * 6/1978 Mengo, Sr. A01K 97/10 248/314
4,852,291 A 8/1989 Mengo
(Continued)

Primary Examiner — Catherine R Oliver-Garcia
(74) *Attorney, Agent, or Firm* — Schwartz Law Firm, P.C.

(57) **CLAIM**
I claim the ornamental design for a fishing rod holder, as shown and described.

DESCRIPTION
FIG. 1 is a rear perspective view of the fishing rod holder, shown in use;
FIG. 2 is a further rear perspective view of the fishing rod holder;
FIG. 3 is a front perspective view of the fishing rod holder;
FIG. 4 is a front elevation of the fishing rod holder;
FIG. 5 is a side elevation of the fishing rod holder;
FIG. 6 is a rear elevation of the fishing rod holder;
FIG. 7 is a top view of the fishing rod holder;
FIG. 8 is a bottom view of the fishing rod holder;
FIG. 9 is a cross-sectional view of the fishing rod holder taken in the direction of line 9-9 shown in FIG. 6;
FIG. 10 is a side perspective view of the fishing rod holder, shown in use;
FIG. 11 is a further side perspective view of the fishing rod holder;
FIG. 12 is yet another side perspective view of the fishing rod holder;
FIG. 13 is a front elevation of the fishing rod holder;
FIG. 14 is a side elevation of the fishing rod holder;
FIG. 15 is a rear elevation of the fishing rod holder;
FIG. 16 is a bottom view of the fishing rod holder;
FIG. 17 is a top view of the fishing rod holder; and,
FIG. 18 is a cross-sectional view of the fishing rod holder taken in the direction of line 18-18 shown in FIG. 15.
Features of the fishing rod holder shown in the drawings in broken lines form no part of the claimed design. Additionally, the broken line showing of a fishing rod in FIGS. 1 and 10 depicts environmental matter that forms no part of the claimed design.

1 Claim, 12 Drawing Sheets



(56)

References Cited

U.S. PATENT DOCUMENTS

5,871,196 A * 2/1999 Martelli A01K 97/10
248/514
6,898,893 B1 5/2005 Mukdaprakorn
7,774,973 B2 8/2010 Carnevali
D649,621 S * 11/2011 Michael D22/147
8,152,124 B2 * 4/2012 Branham B60R 1/0605
248/289.11
8,327,575 B1 12/2012 Zalewski
8,800,196 B2 8/2014 Baumann
8,881,668 B2 11/2014 Bragman
9,615,564 B2 * 4/2017 Liney A01K 97/10

* cited by examiner

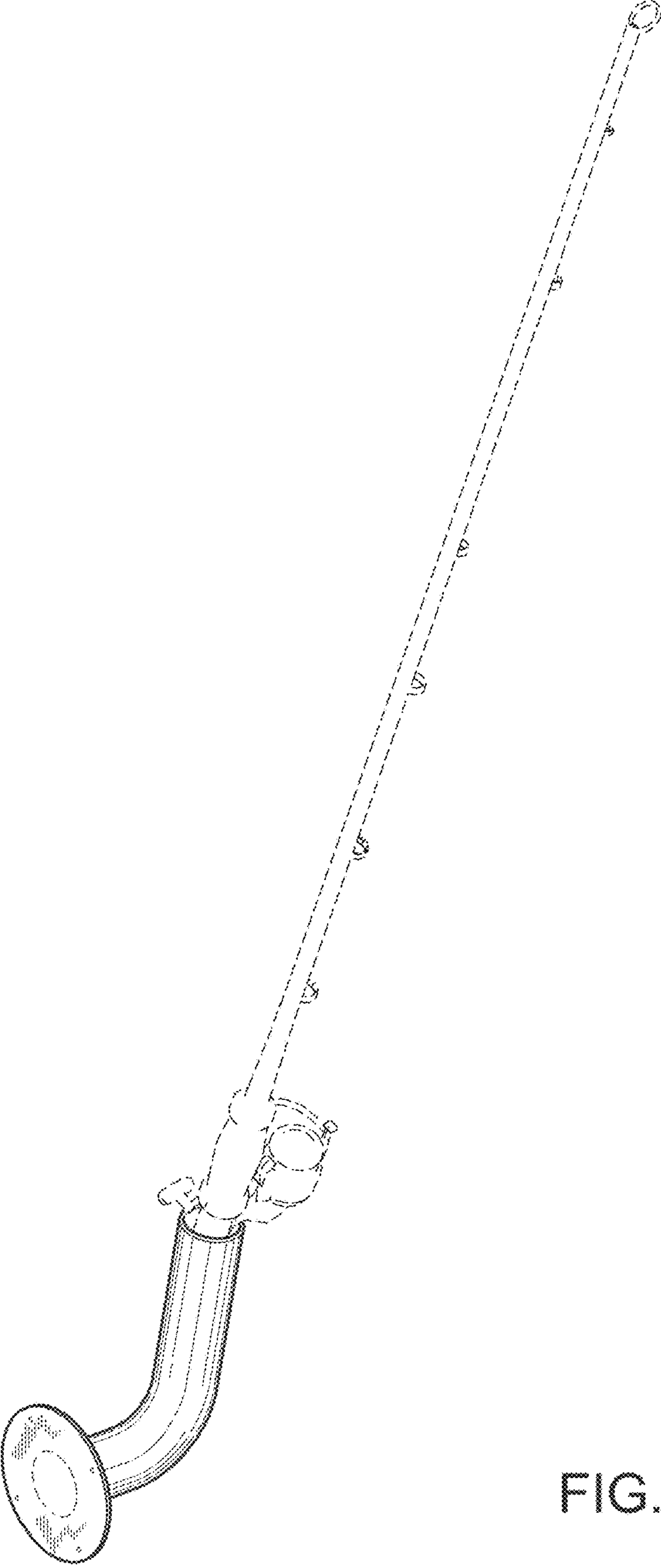


FIG. 1

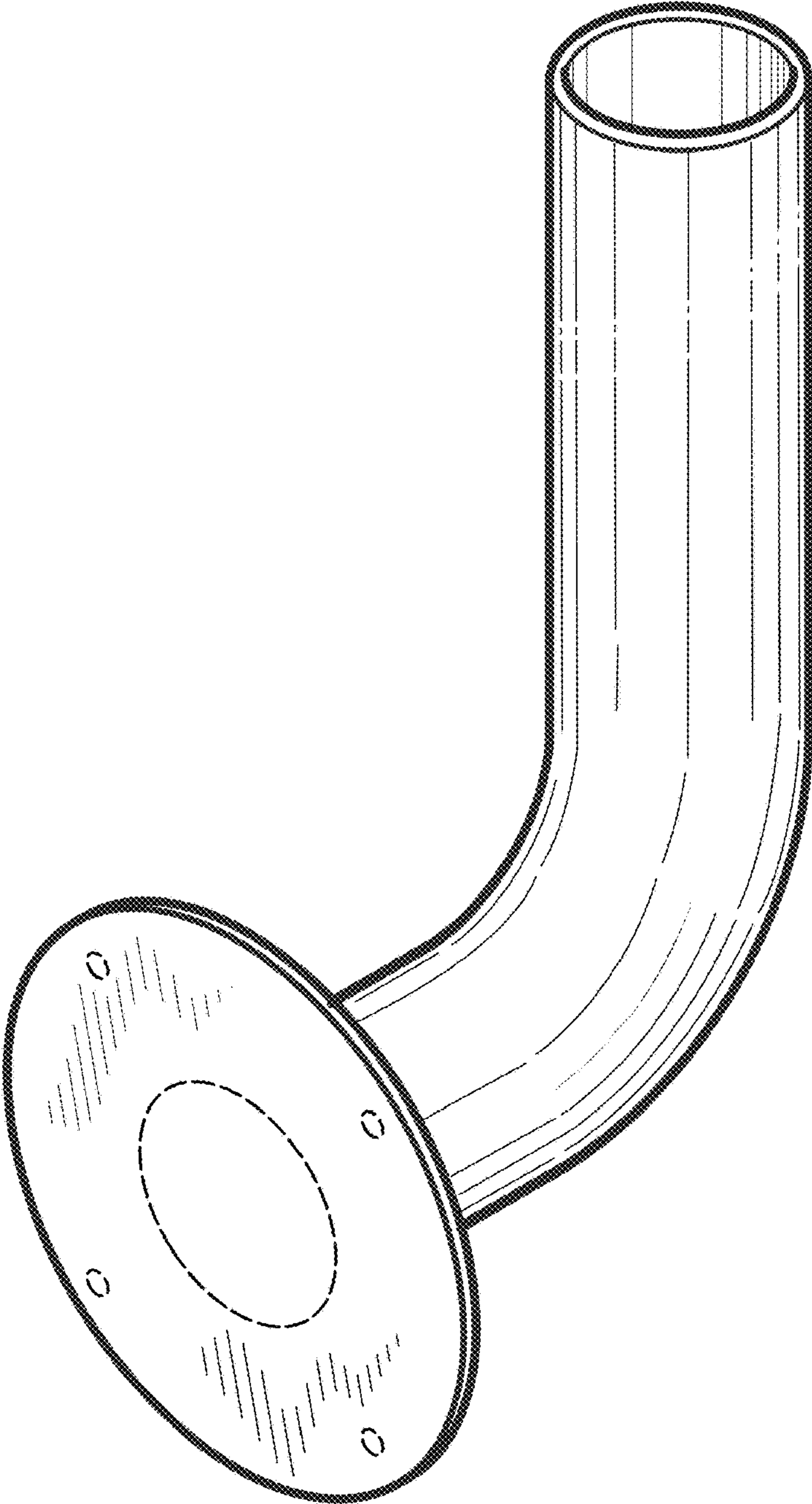


FIG. 2

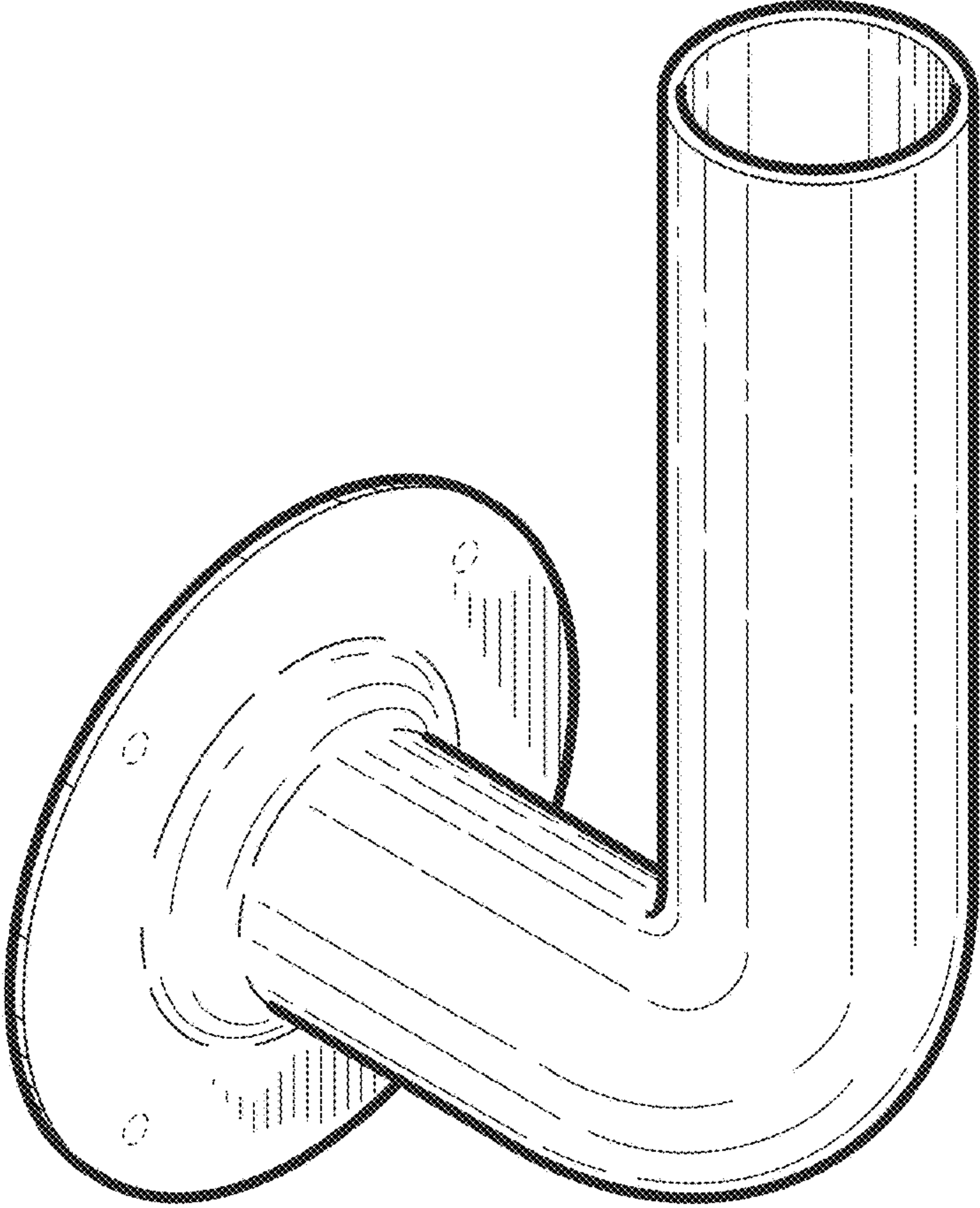


FIG. 3

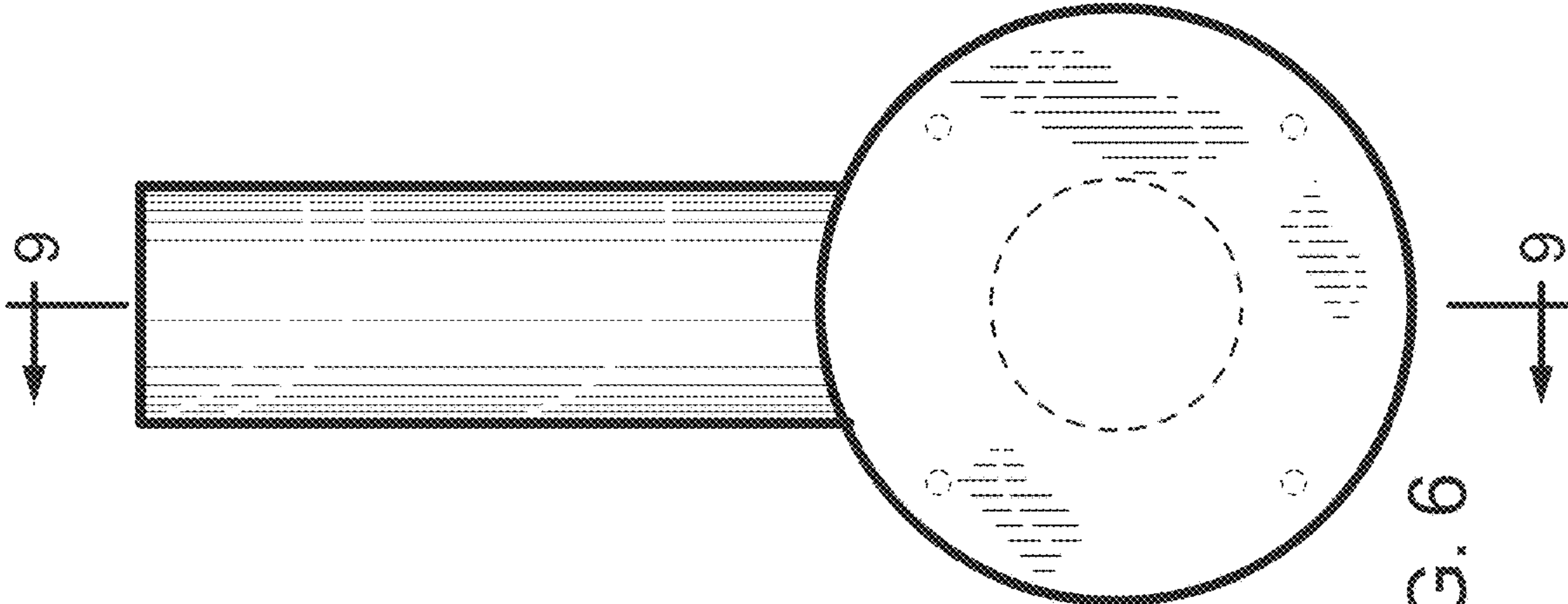


FIG. 6

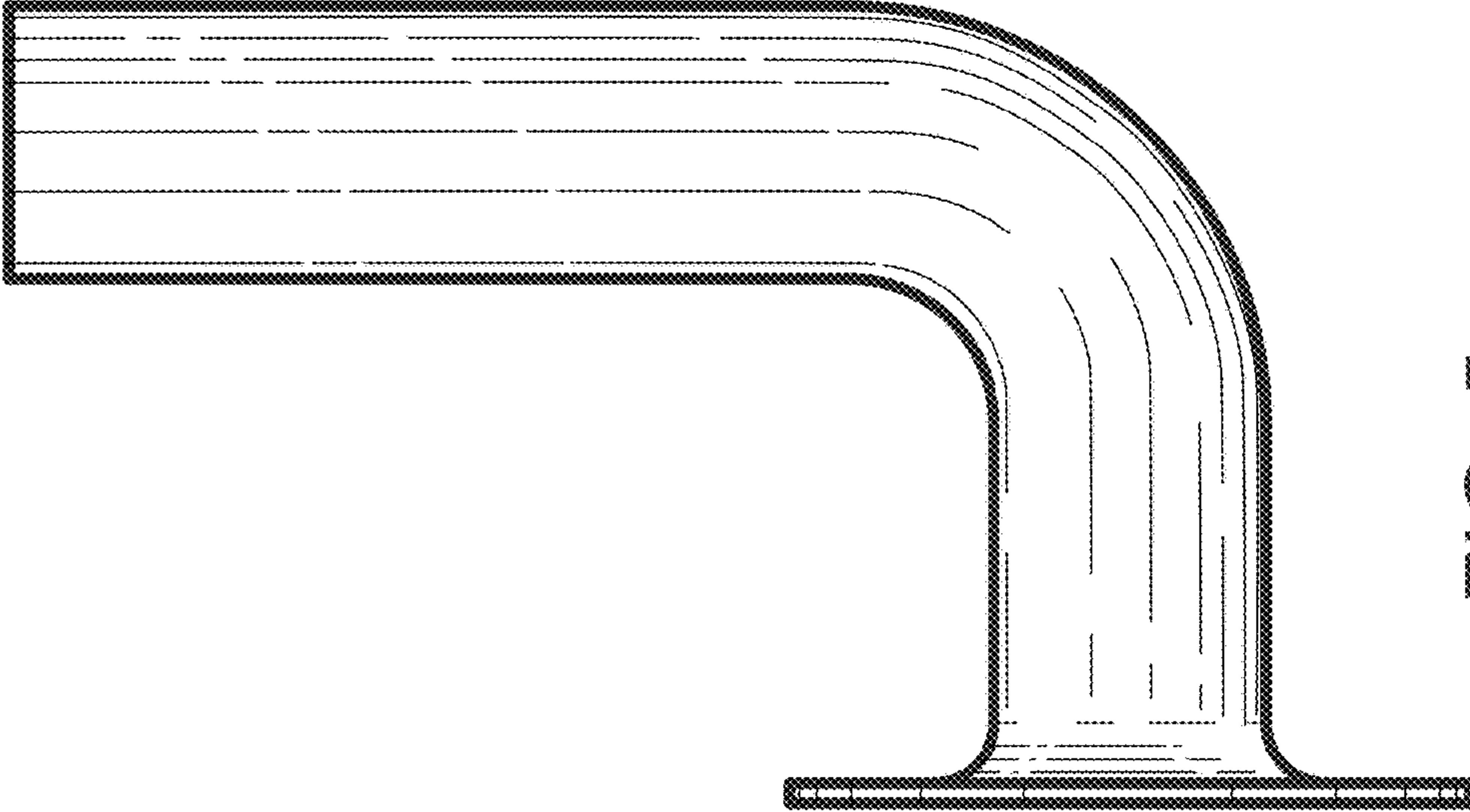


FIG. 5

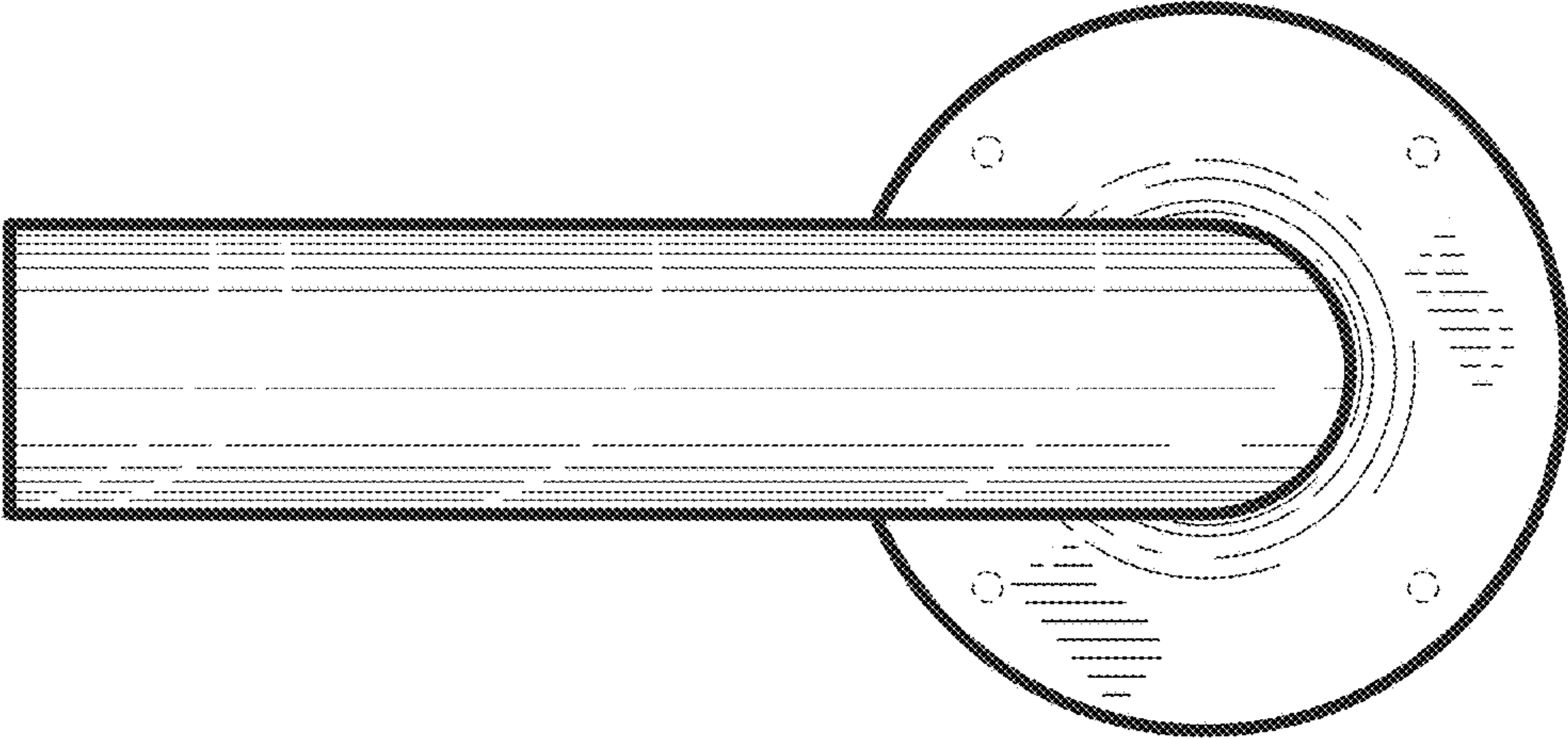


FIG. 4

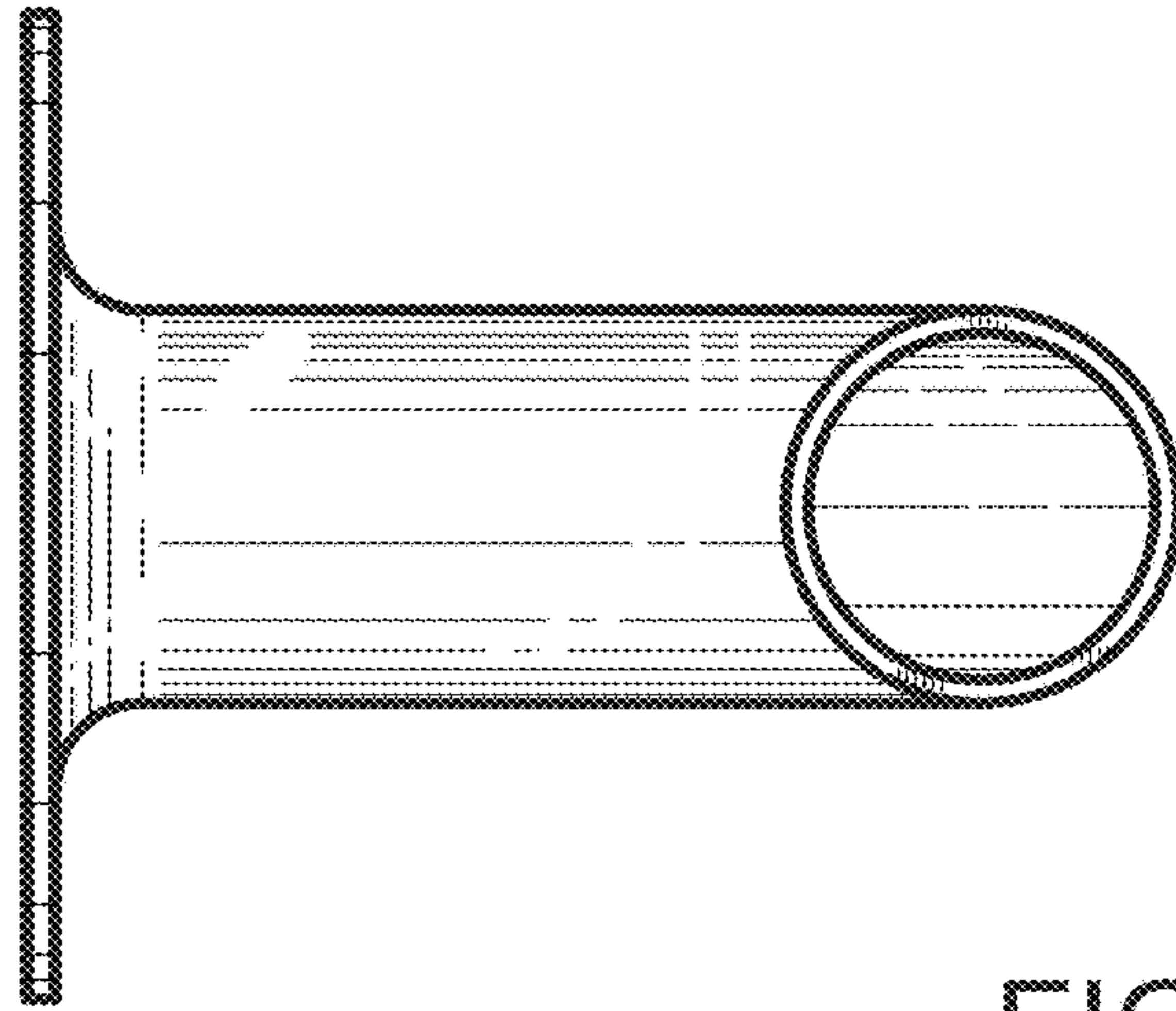


FIG. 7

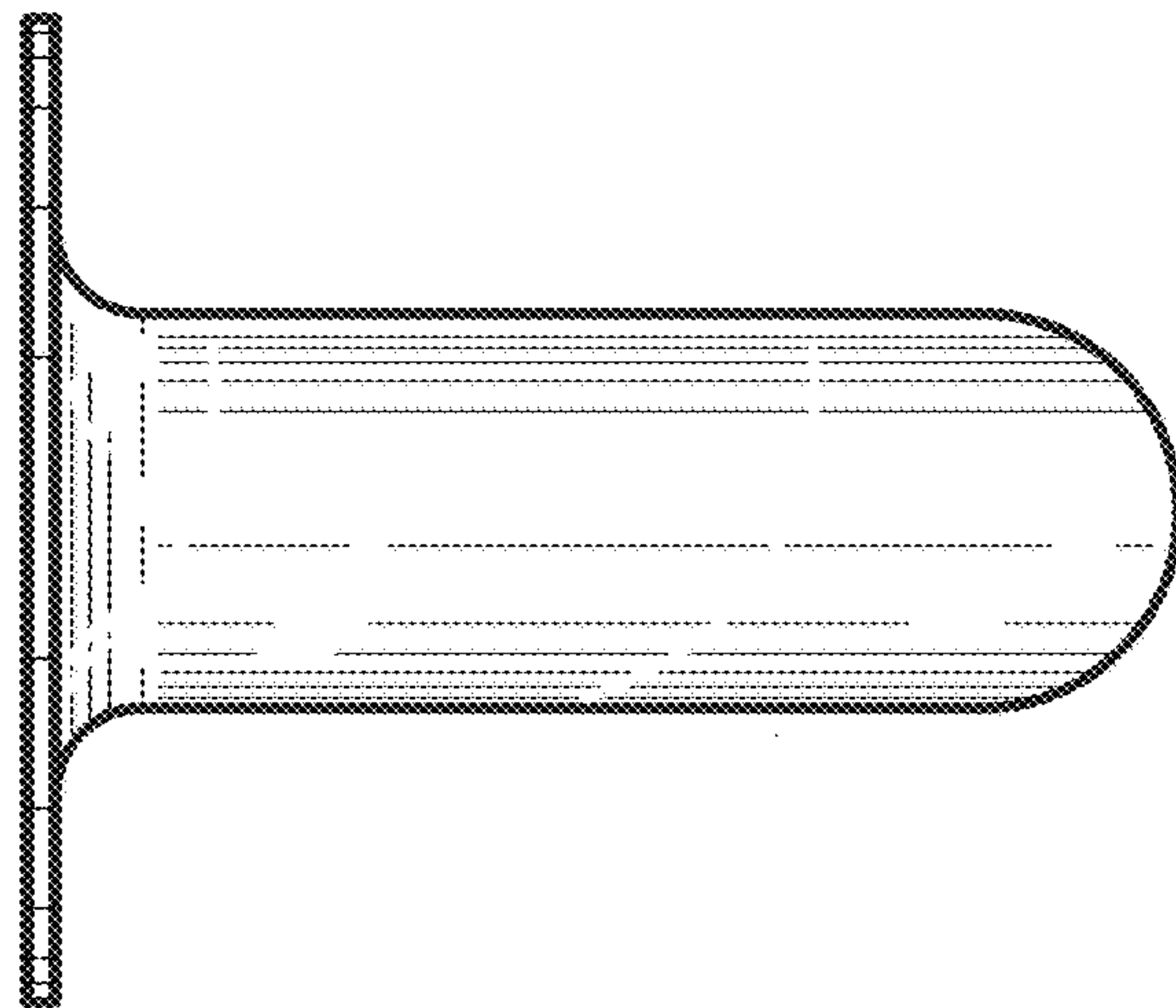


FIG. 8

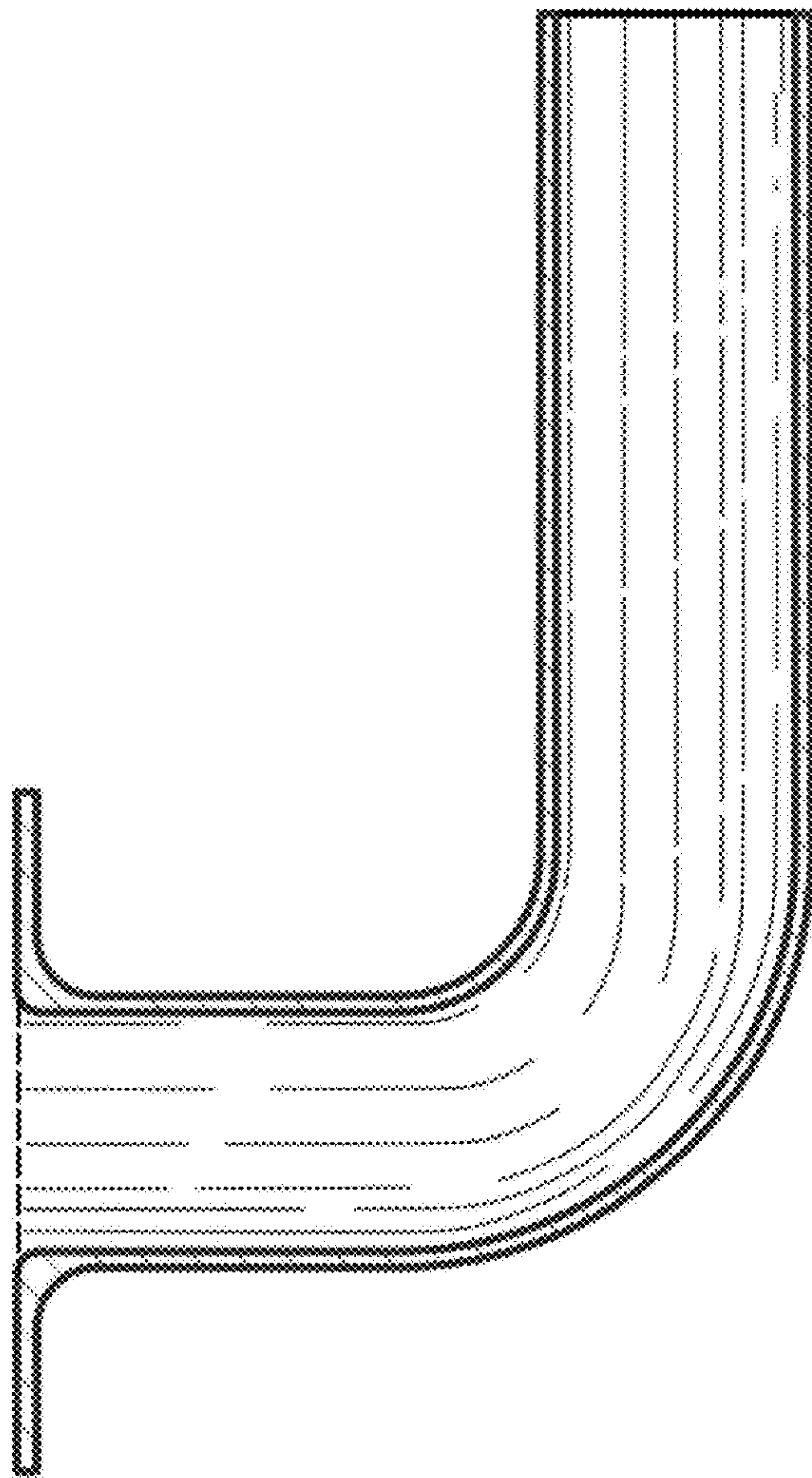


FIG. 9

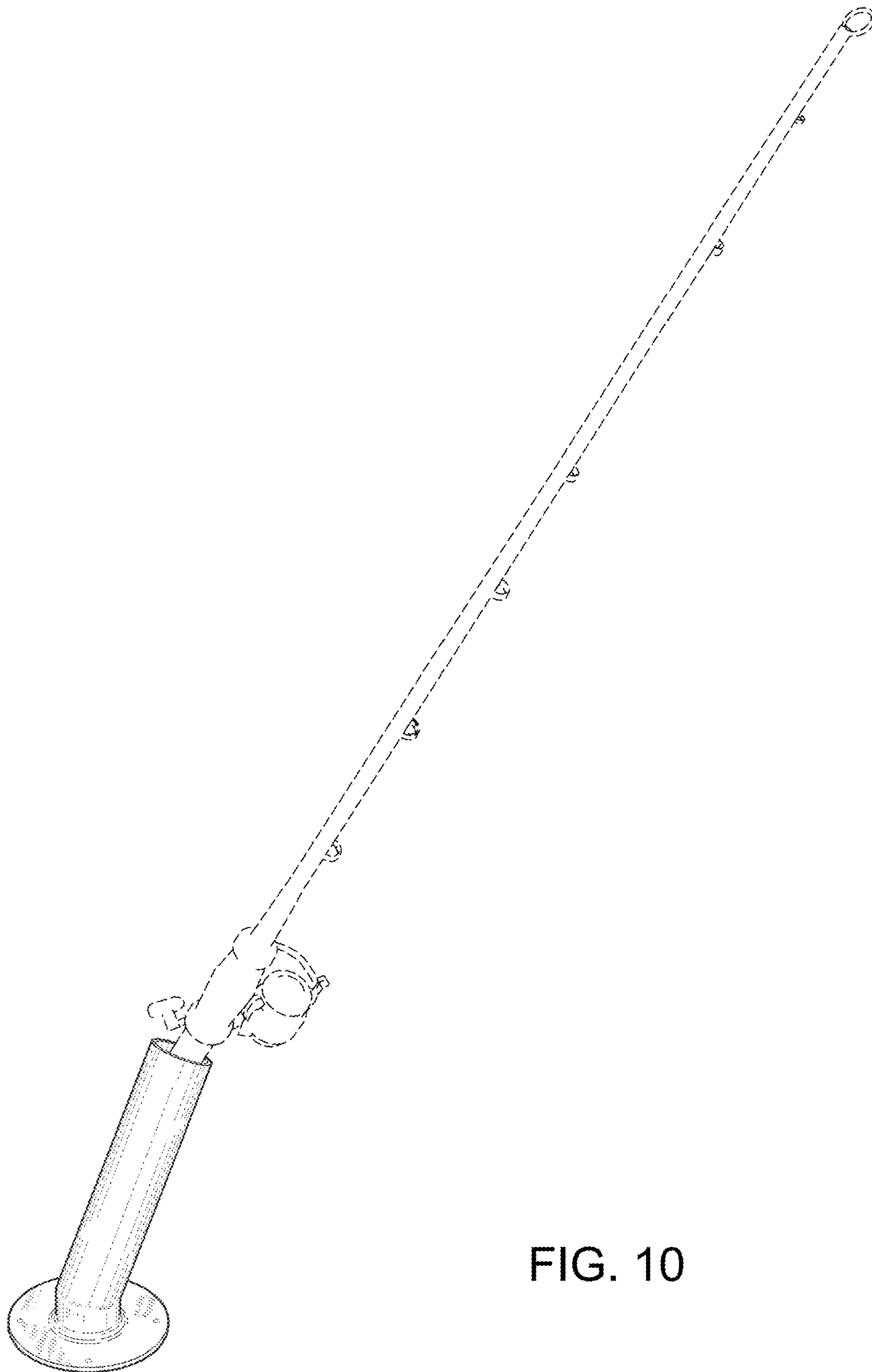


FIG. 10

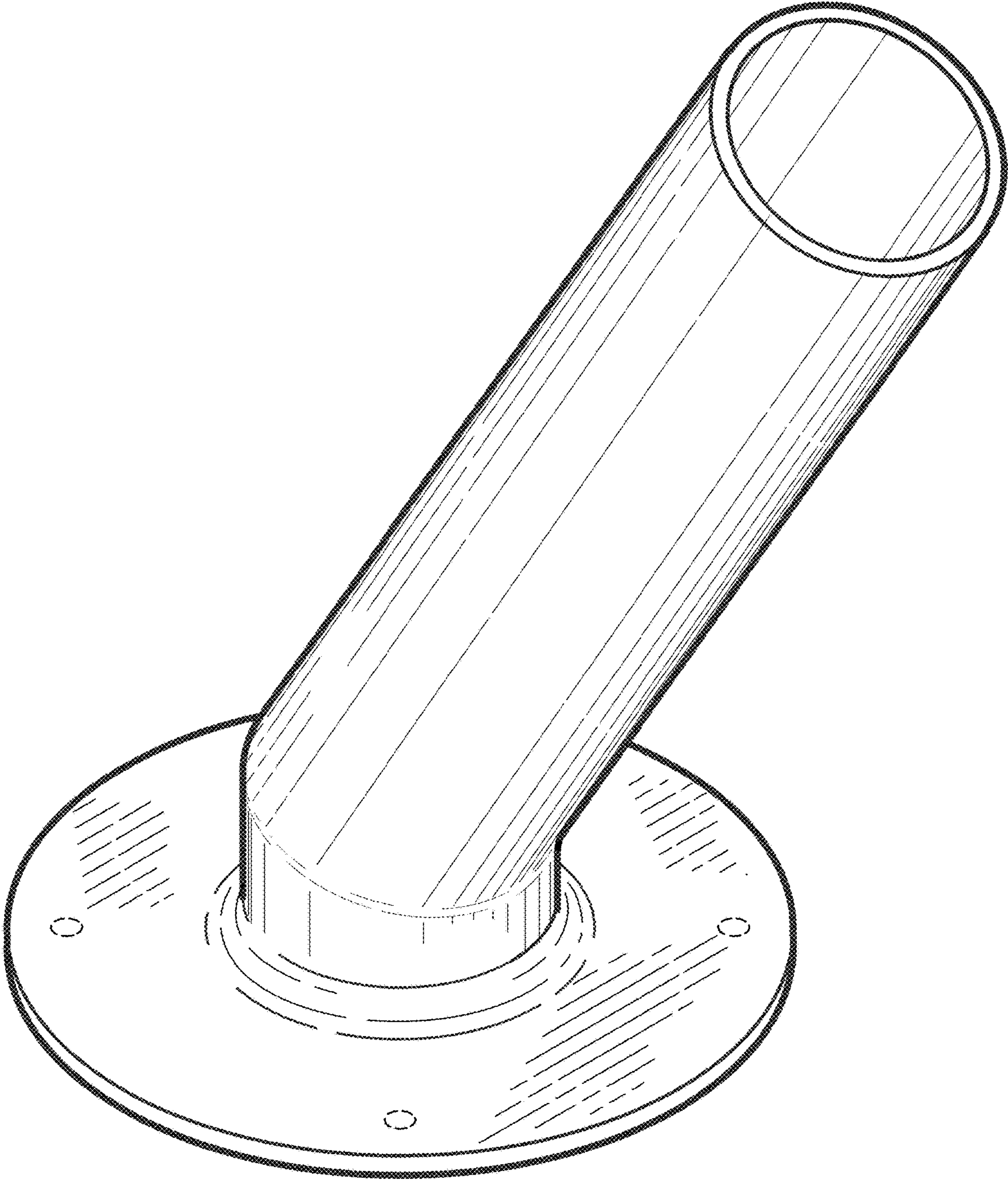


FIG. 11

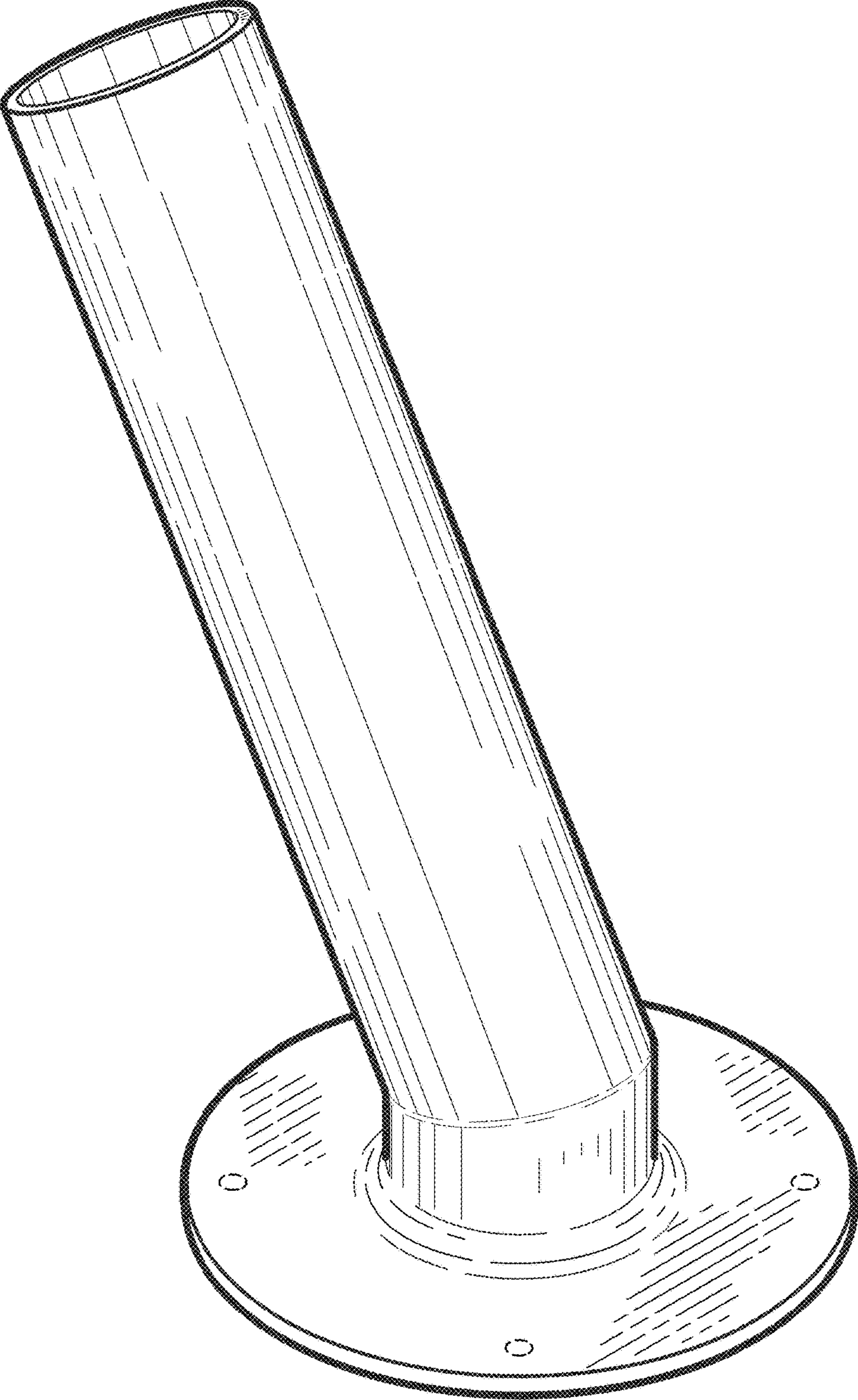


FIG. 12

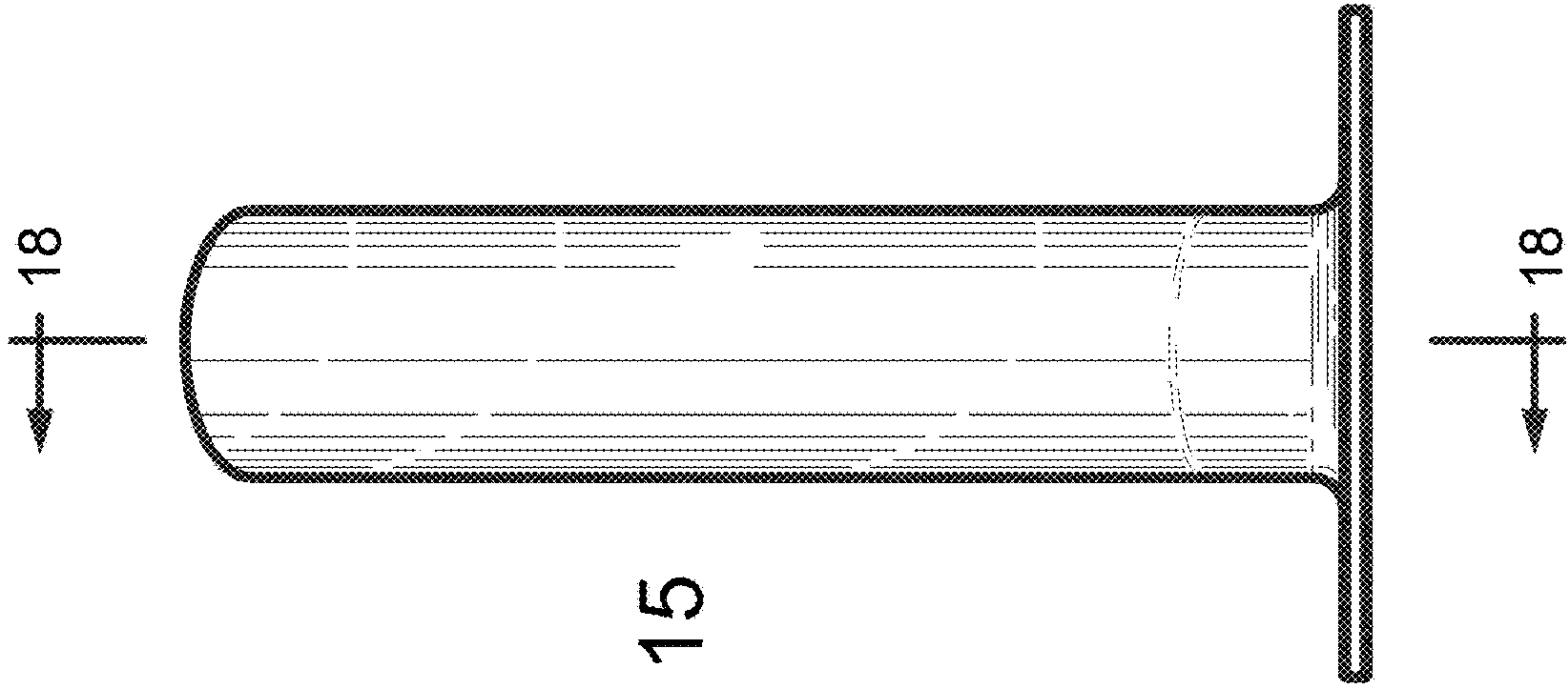


FIG. 15

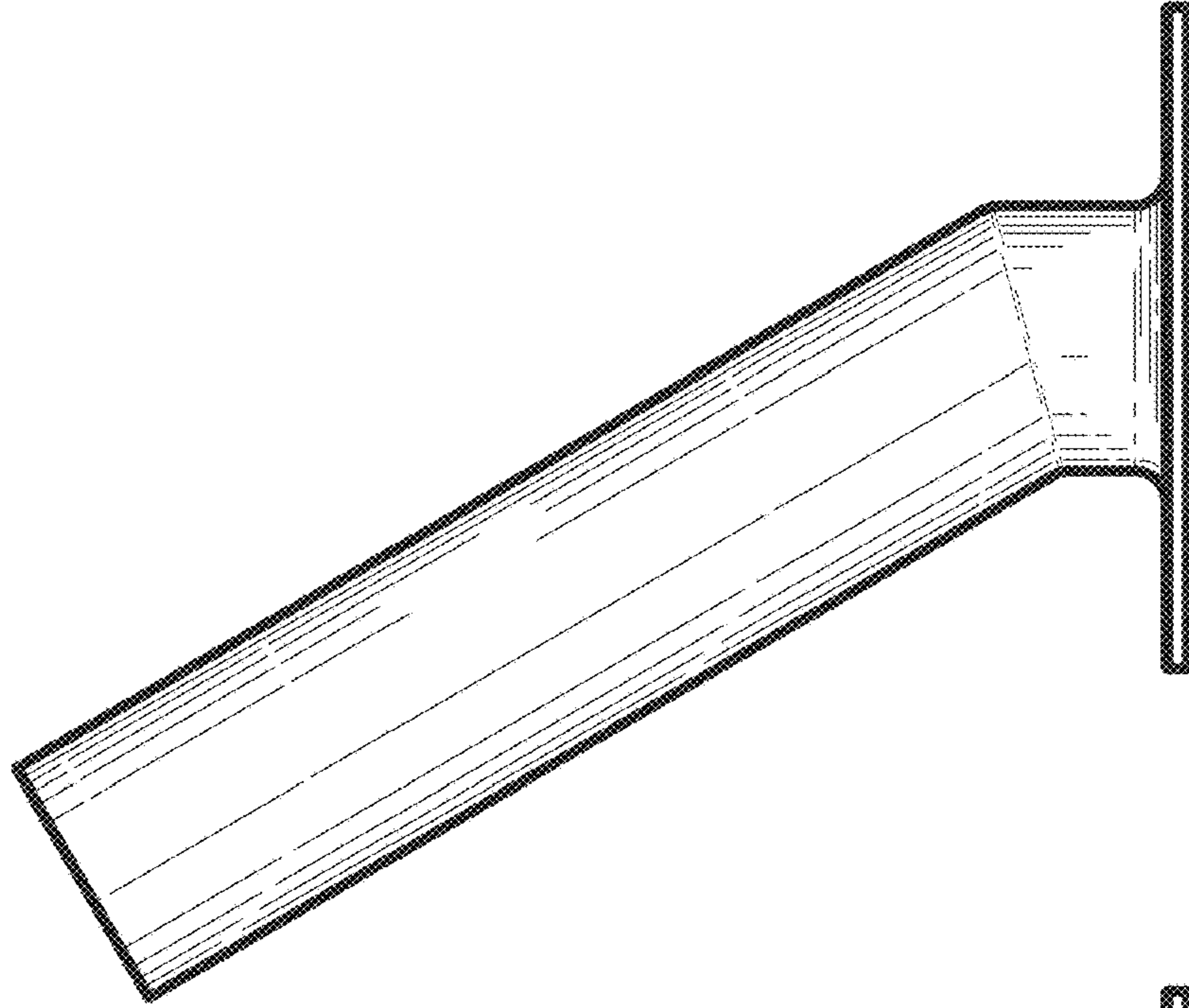


FIG. 14

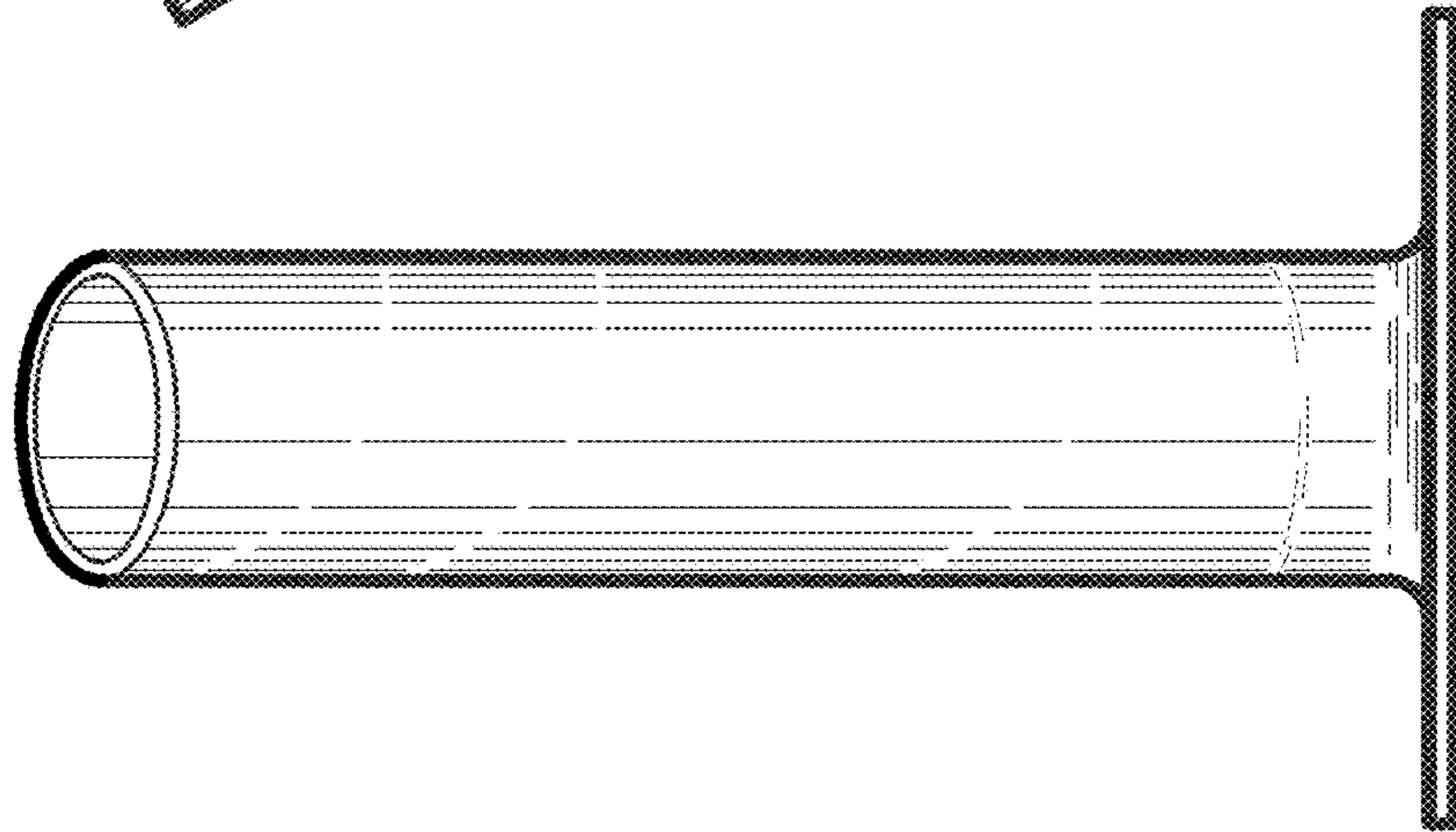


FIG. 13

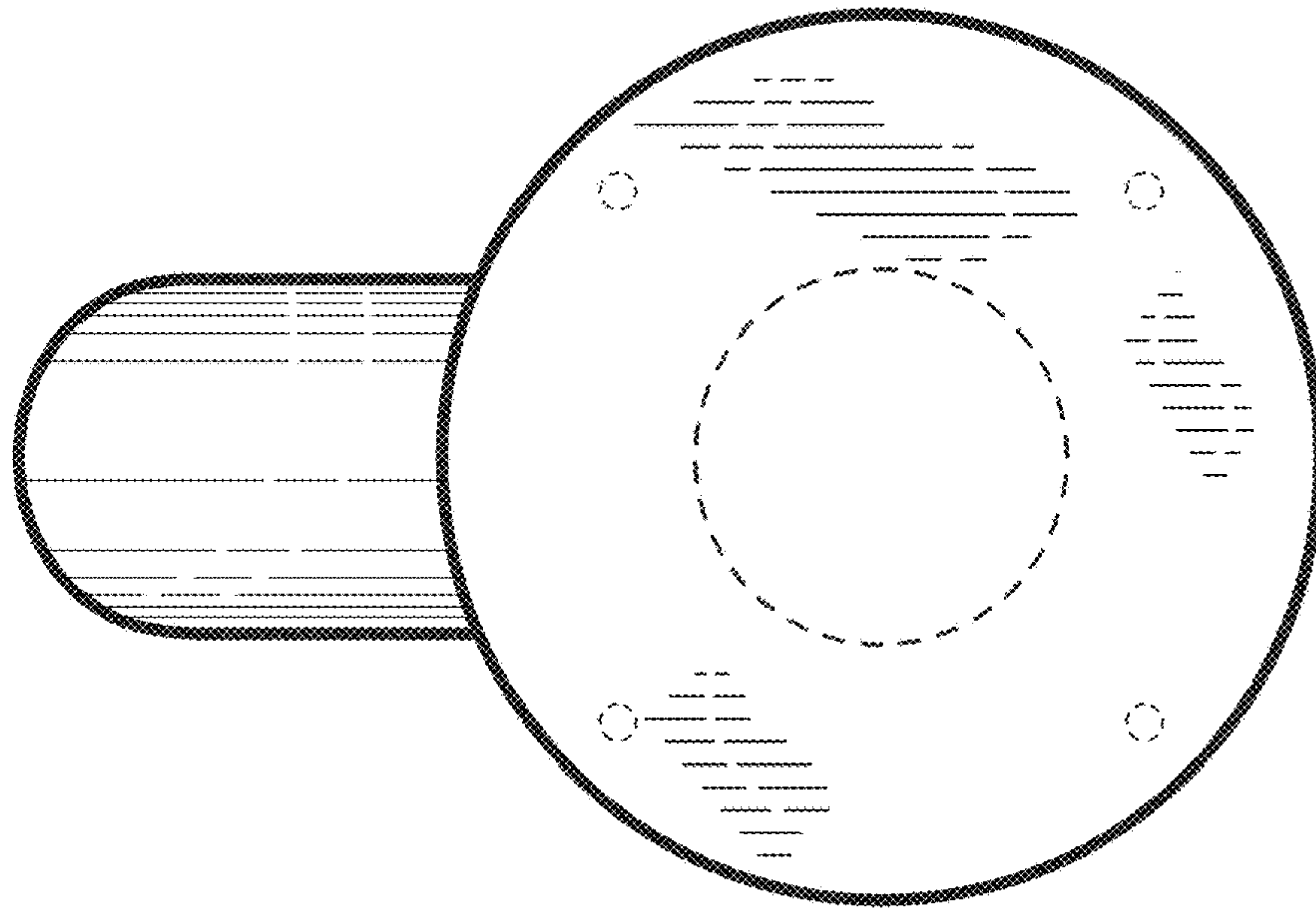


FIG. 16

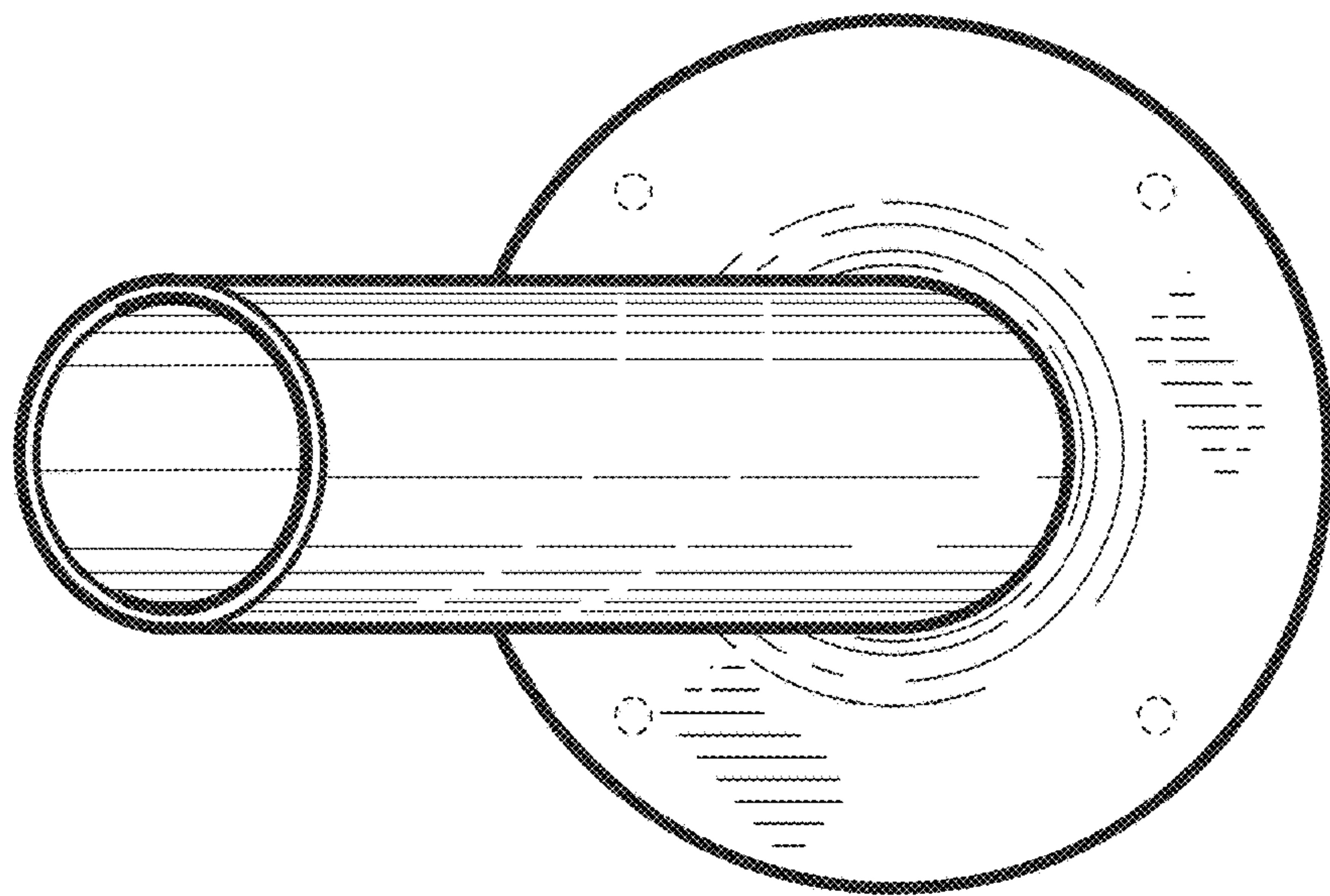


FIG. 17

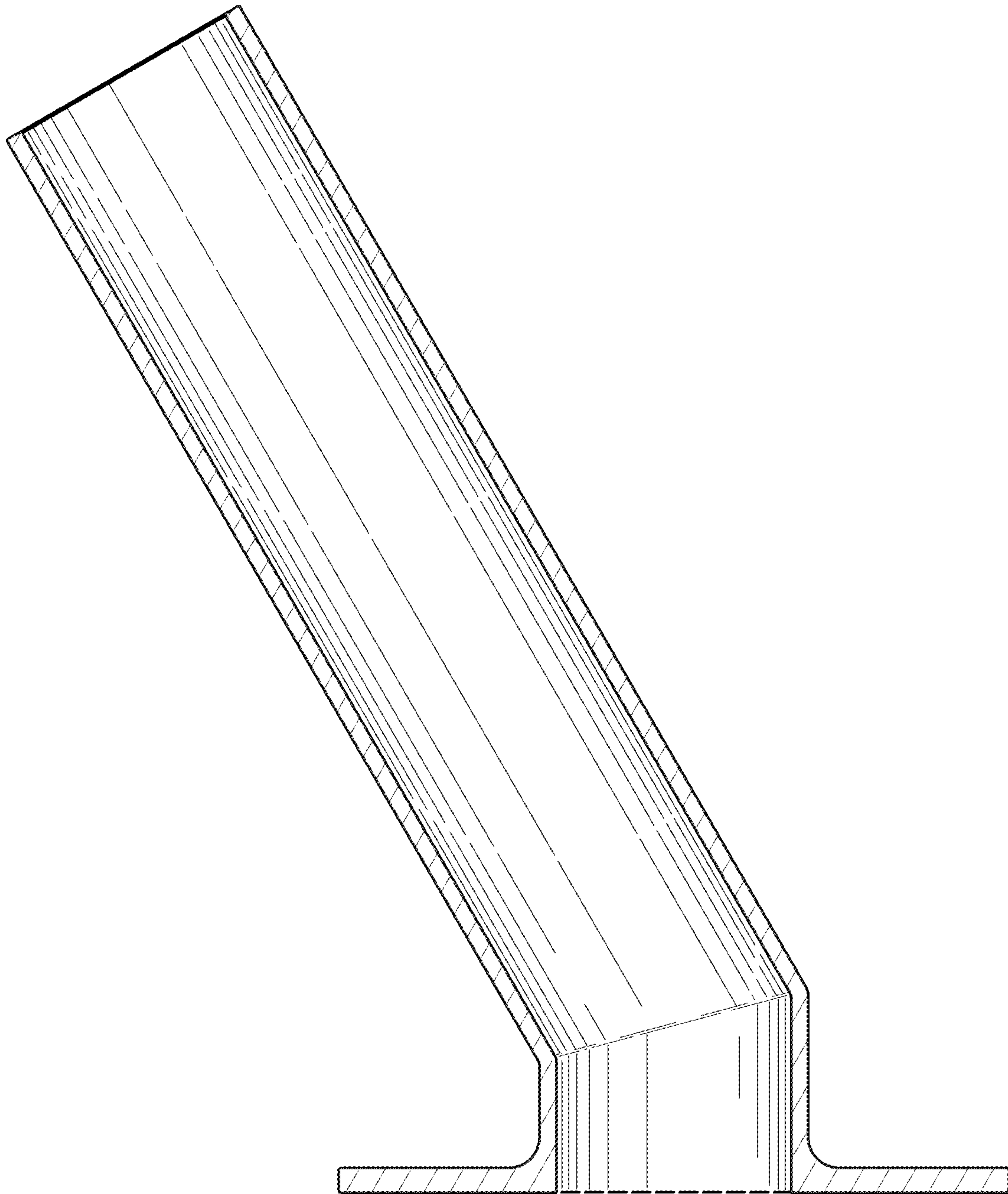


FIG. 18