

US00D839988S

(12) **United States Design Patent**
Weiner

(10) **Patent No.:** **US D839,988 S**

(45) **Date of Patent:** **** Feb. 5, 2019**

(54) **DUAL CONFIGURATION FISHING ROD BUTT**

D552,209 S * 10/2007 Lin D22/142
D782,608 S * 3/2017 Mathwig D22/142

* cited by examiner

(71) Applicant: **Matthew Weiner**, Boca Raton, FL (US)

Primary Examiner — Catherine R Oliver-Garcia

(72) Inventor: **Matthew Weiner**, Boca Raton, FL (US)

(74) *Attorney, Agent, or Firm* — Laurence A. Greenberg; Werner H. Stemer; Ralph E. Locher

(**) Term: **15 Years**

(57) **CLAIM**

(21) Appl. No.: **29/621,780**

The ornamental design for a dual configuration fishing rod butt, as shown and described.

(22) Filed: **Oct. 11, 2017**

DESCRIPTION

(51) **LOC (11) Cl.** **22-05**

(52) **U.S. Cl.**
USPC **D22/142**

(58) **Field of Classification Search**
USPC D22/137-143; D8/303; 43/18.1 R, 20,
43/22-23

CPC A01K 87/06; A01K 87/08
See application file for complete search history.

FIG. 1 is a front perspective view of the dual configuration fishing rod butt in the straight configuration, showing my new design;

FIG. 2 is a front elevation view thereof, the rear, top, and bottom views being mirror images thereof;

FIG. 3 is a right side elevation view thereof;

FIG. 4 is a left side elevation view thereof;

FIG. 5 is an exploded front perspective view thereof;

FIG. 6 is a front perspective view of the dual configuration fishing rod butt in the curved configuration, showing my new design;

FIG. 7 is front elevation view thereof, the rear view being a mirror image thereof;

FIG. 8 is a top plan view thereof;

FIG. 9 is a bottom plan view thereof;

FIG. 10 is a right side elevation view thereof;

FIG. 11 is a left side elevation view thereof; and,

FIG. 12 is an exploded front perspective view thereof.

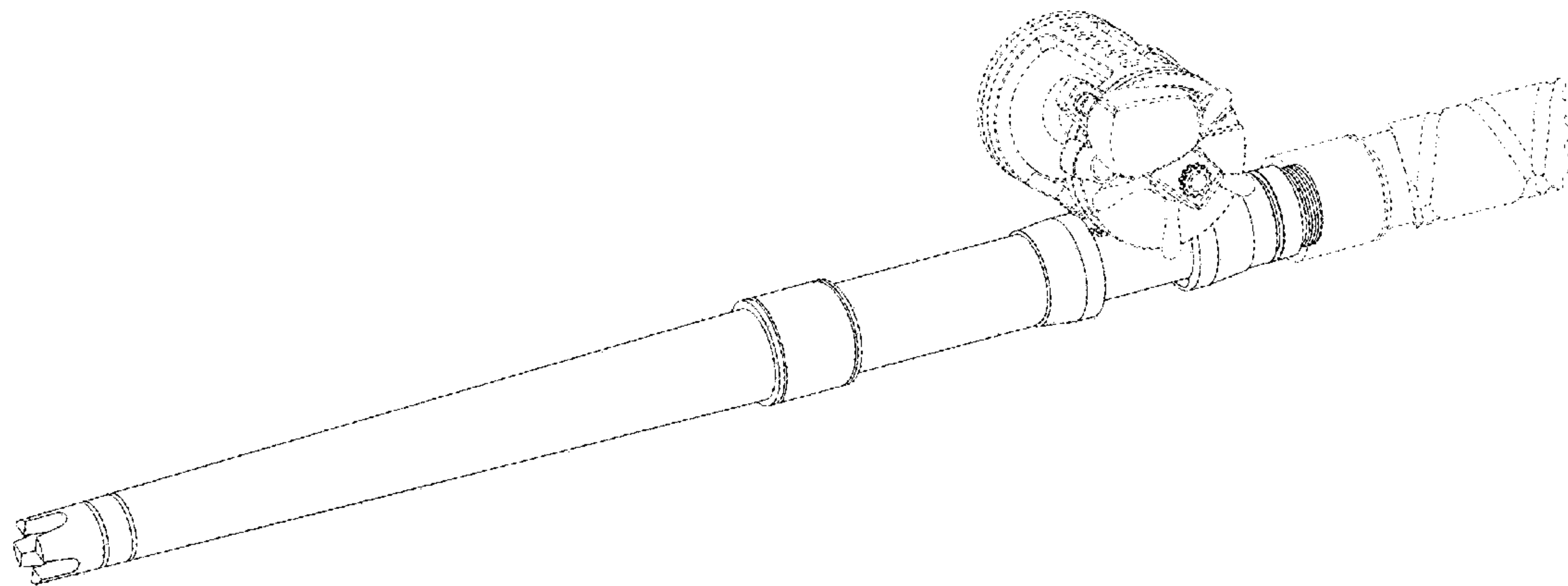
The broken lines depict a fishing rod and reel and do not form a part of the claim.

(56) **References Cited**

U.S. PATENT DOCUMENTS

- D261,411 S * 10/1981 Doi D22/142
- 4,637,157 A * 1/1987 Collins A01K 87/06
43/22
- D404,794 S * 1/1999 Pingel D22/142
- D420,419 S * 2/2000 Pingel D22/142
- D451,578 S * 12/2001 Champagne D22/142
- 6,629,382 B2 * 10/2003 Irrgang A01K 87/08
43/18.1 R
- D516,163 S * 2/2006 Lin D22/142

1 Claim, 9 Drawing Sheets



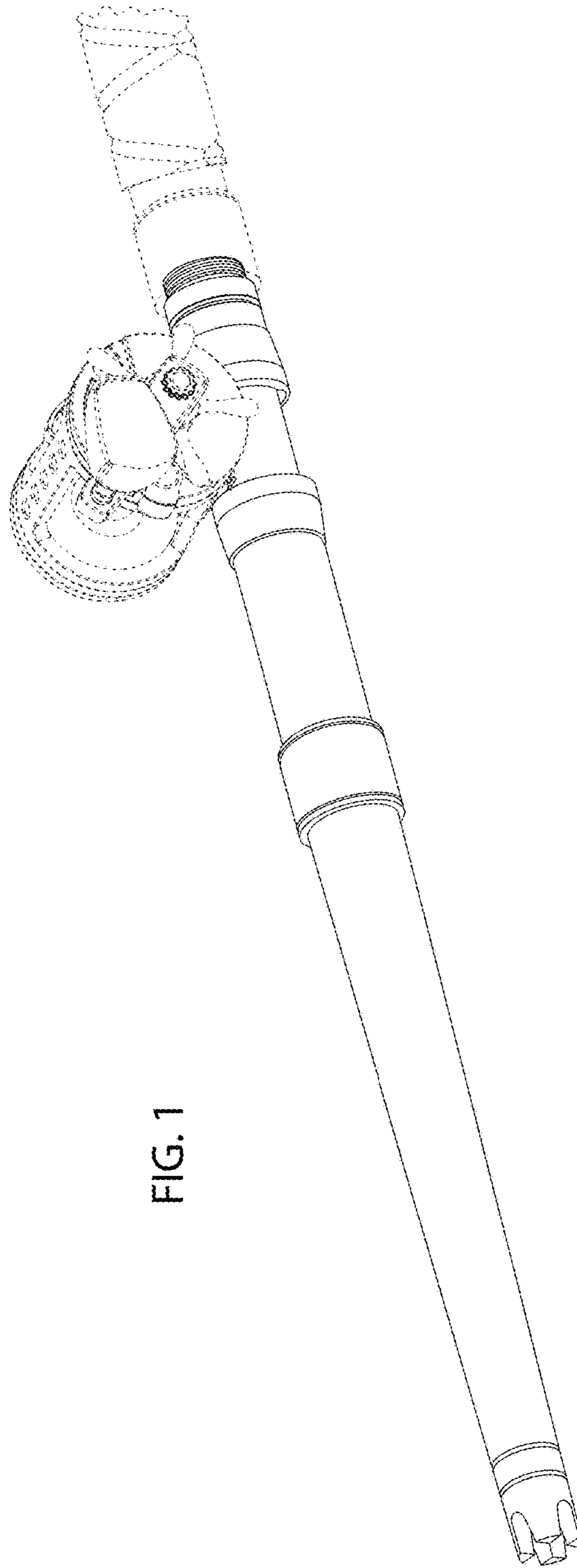


FIG. 1

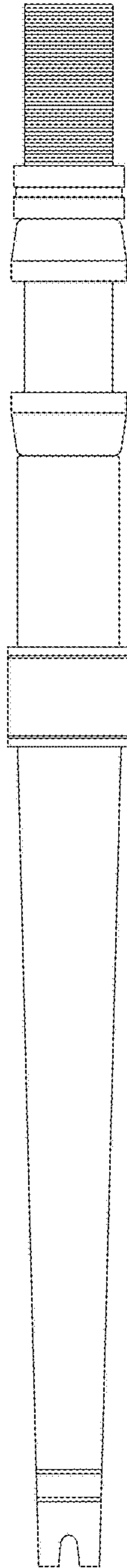


FIG. 2

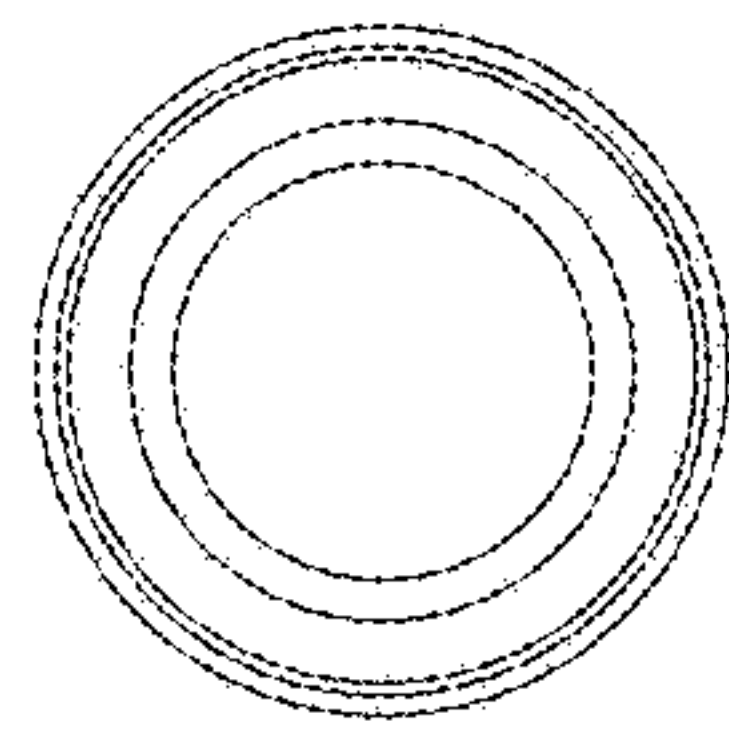


FIG. 3

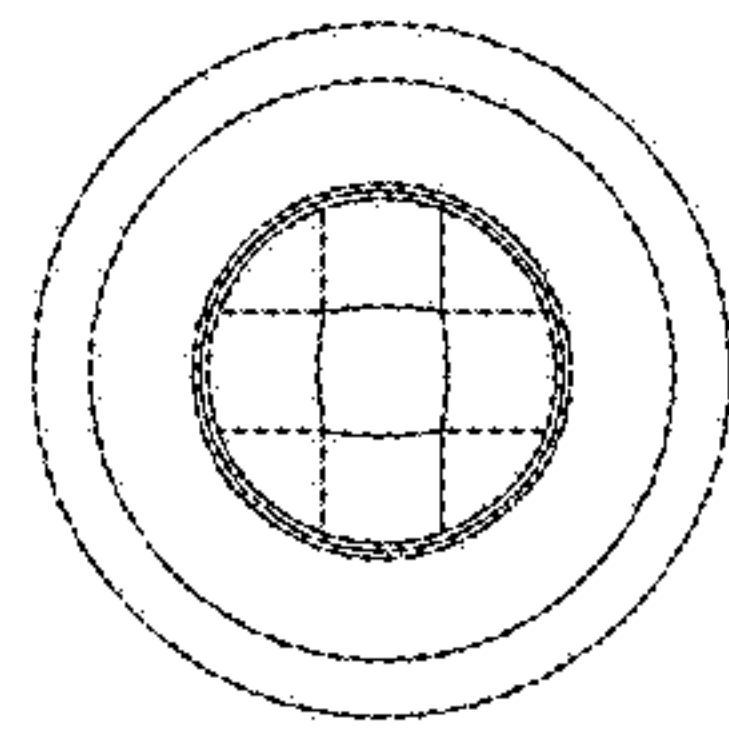


FIG. 4

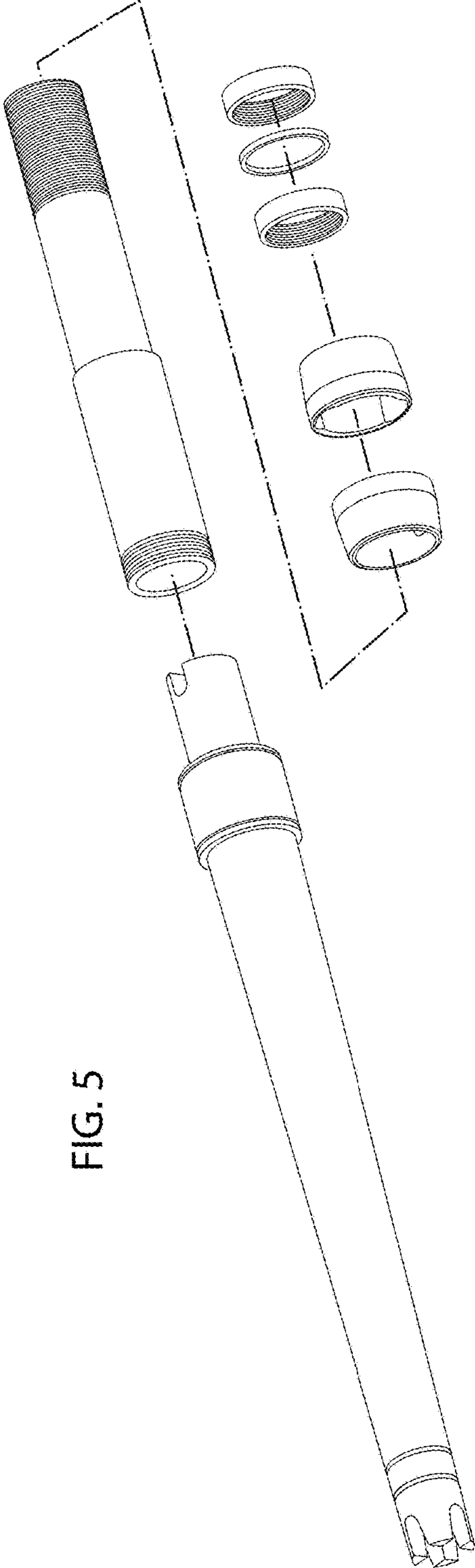


FIG. 5

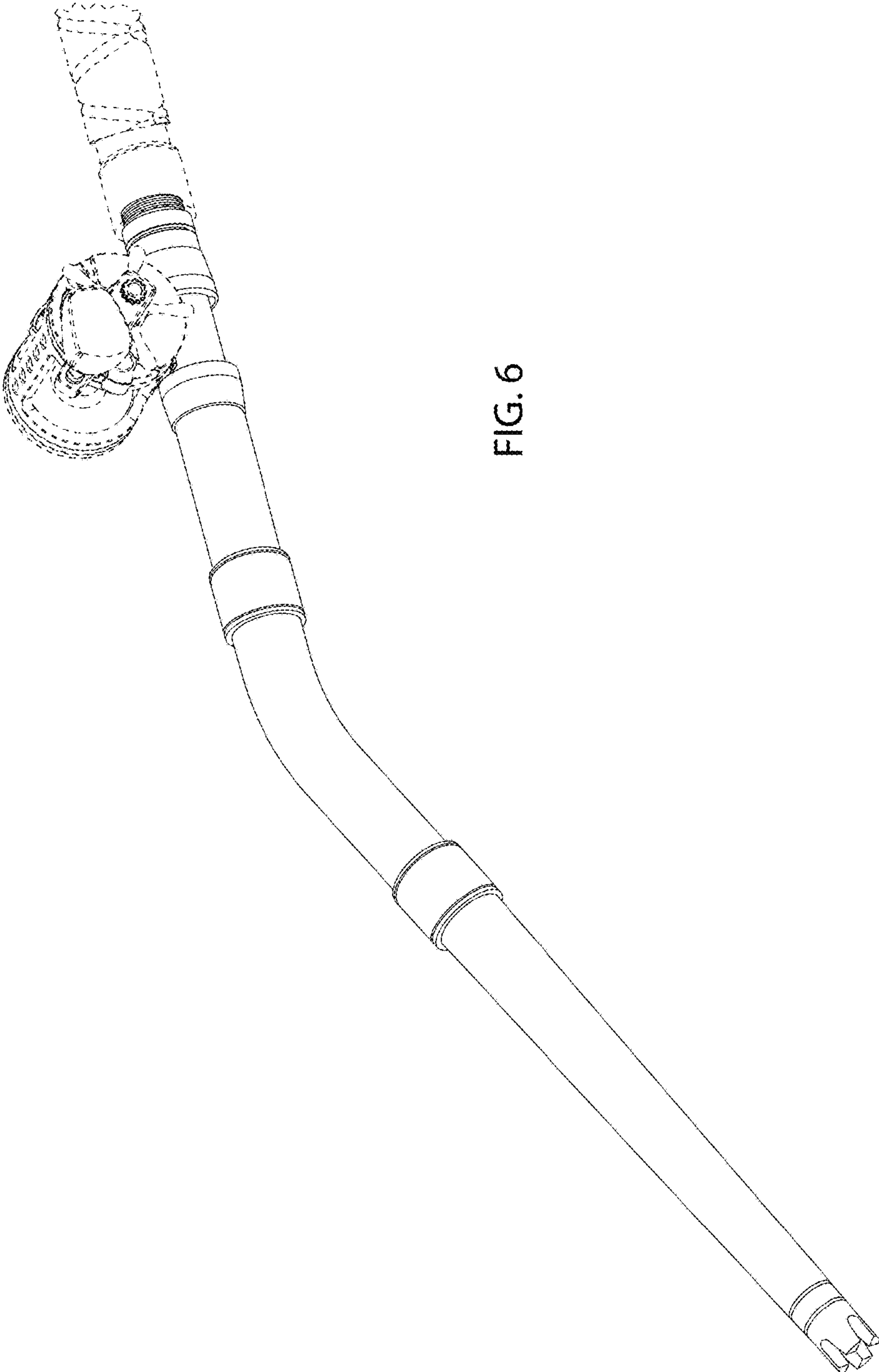


FIG. 6

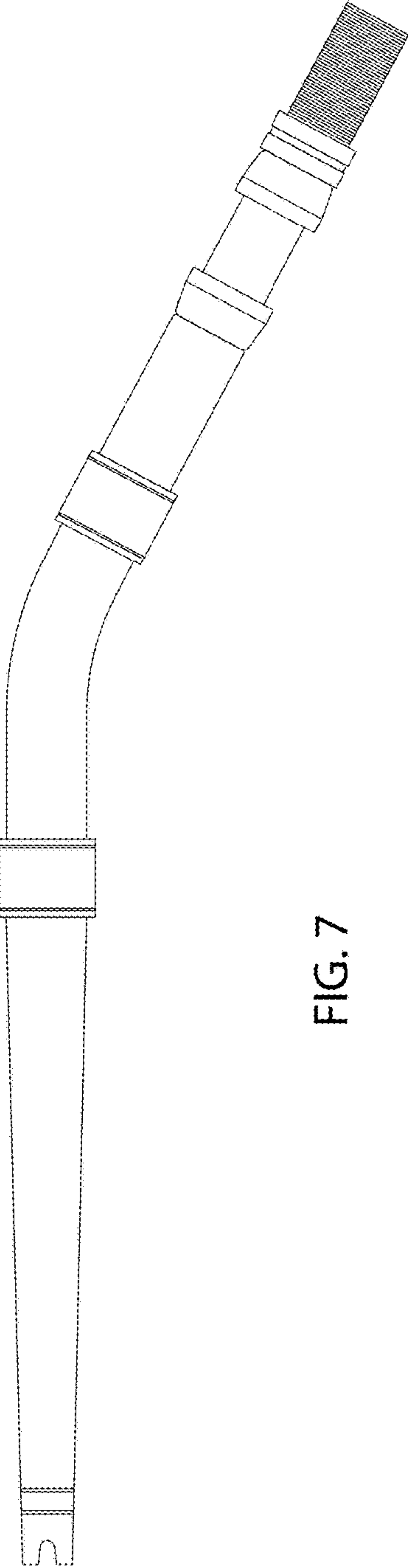


FIG. 7

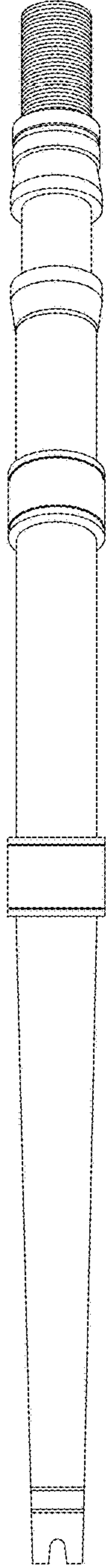


FIG. 8

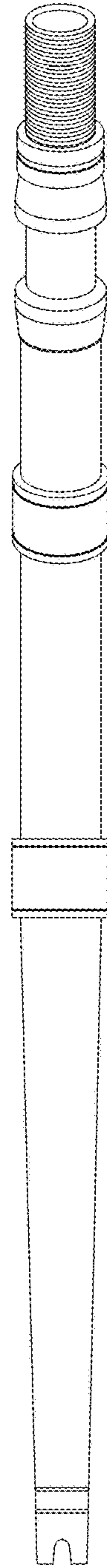


FIG. 9

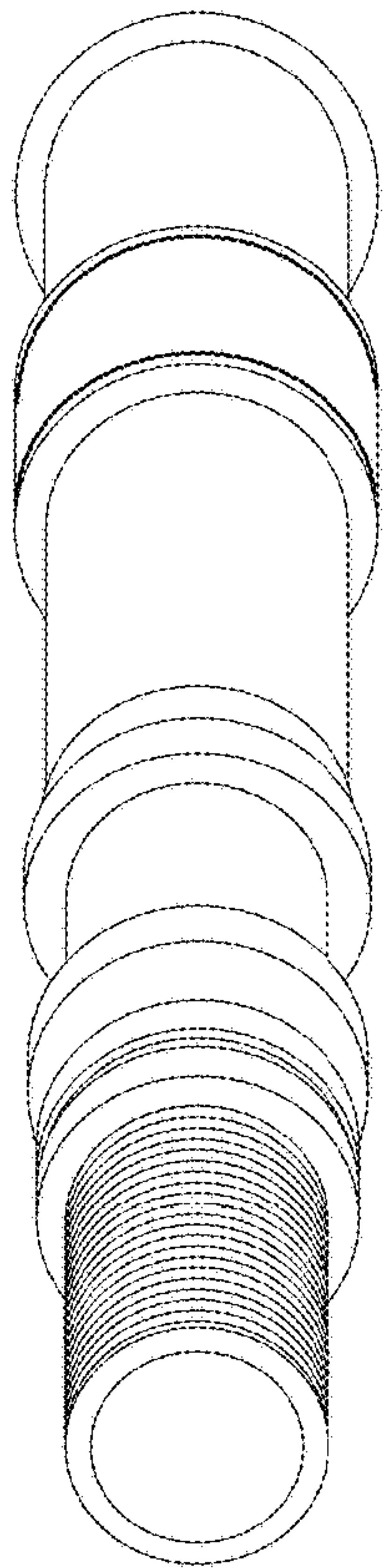


FIG. 10

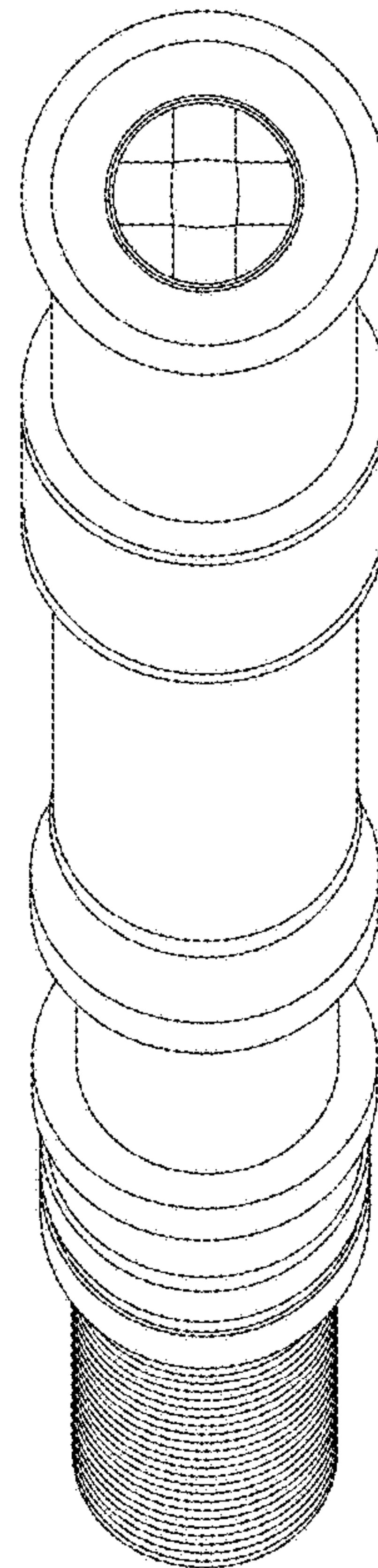


FIG. 11

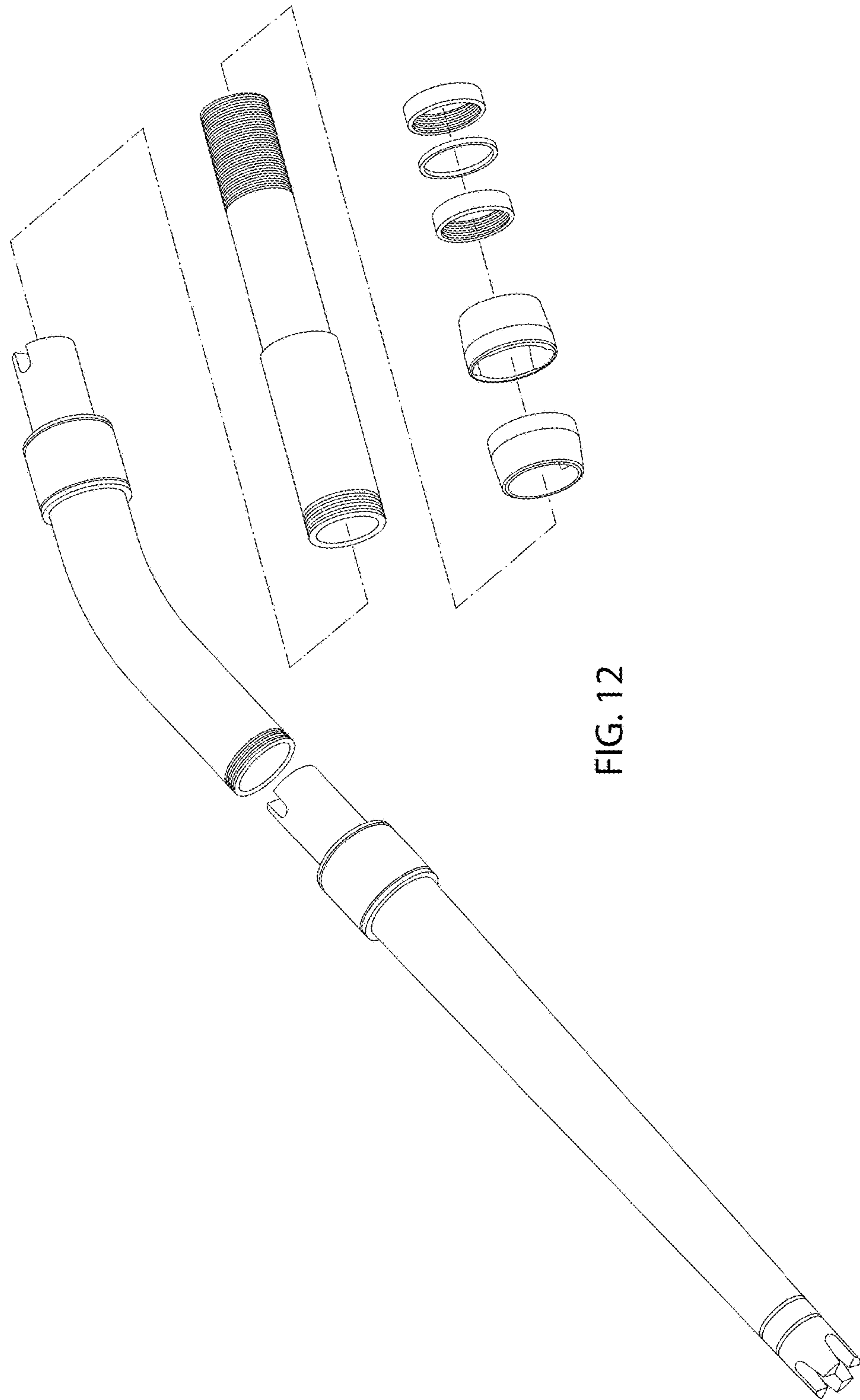


FIG. 12