



US00D839987S

(12) **United States Design Patent**
Dai

(10) **Patent No.:** **US D839,987 S**

(45) **Date of Patent:** **** Feb. 5, 2019**

(54) **ANIMAL REPELLER**

(71) Applicant: **Lirong Dai**, Shenzhen (CN)

(72) Inventor: **Lirong Dai**, Shenzhen (CN)

(73) Assignee: **SHENZHEN XUANYUXING TECHNOLOGY CO., LTD.**, Shenzhen (CN)

(**) Term: **15 Years**

(21) Appl. No.: **29/631,664**

(22) Filed: **Jan. 2, 2018**

(51) **LOC (11) Cl.** **22-06**

(52) **U.S. Cl.**
USPC **D22/120**

(58) **Field of Classification Search**
USPC D22/119–124; 43/1, 107, 121, 124,
43/131–132.1; 119/719; D23/366–369
CPC A01M 1/08; A01M 1/106; A01M 1/026;
A01M 1/2011; A01M 29/00; A01M
29/12; A01M 29/16; A01M 29/34; A01M
29/28; A01M 31/008; A01M 2200/011;
A01M 2200/012; A01N 25/20; A01N
37/44; A01N 43/16; A01N 49/00
See application file for complete search history.

(56) **References Cited**

U.S. PATENT DOCUMENTS

- 5,379,545 A * 1/1995 Gall A01M 29/12
239/57
- D370,247 S * 5/1996 Shammas D22/120

- D639,894 S * 6/2011 Feuerstein D22/120
- D645,114 S * 9/2011 Krause D22/120
- D693,900 S * 11/2013 Jan D22/120
- D724,172 S * 3/2015 Kuhnke D22/120
- D768,806 S * 10/2016 Wu D22/120
- D779,027 S * 2/2017 Zhang D22/120

* cited by examiner

Primary Examiner — Catherine R Oliver-Garcia
(74) *Attorney, Agent, or Firm* — Law Offices of Steven W. Weinrieb

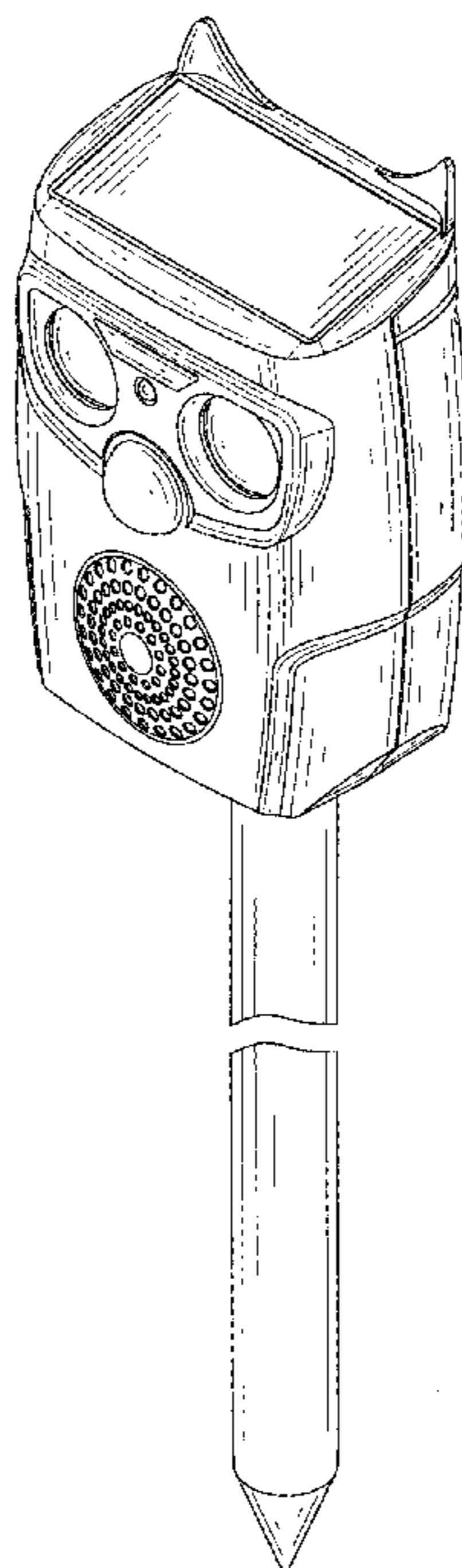
(57) **CLAIM**

The ornamental design for an animal repeller, as shown and described.

DESCRIPTION

FIG. 1 is a front, right side, top perspective view of the animal repeller showing my new design;
FIG. 2 is a rear, left side, bottom perspective view thereof;
FIG. 3 is a front elevational view thereof;
FIG. 4 is a rear elevational view thereof;
FIG. 5 is a left side elevational view thereof;
FIG. 6 is a right side elevational view thereof;
FIG. 7 is a top plan view thereof; and,
FIG. 8 is a bottom plan view thereof.
The stake is shown broken away to indicate that no particular length is claimed and any portion shown in between forms no part of the claimed design.

1 Claim, 8 Drawing Sheets



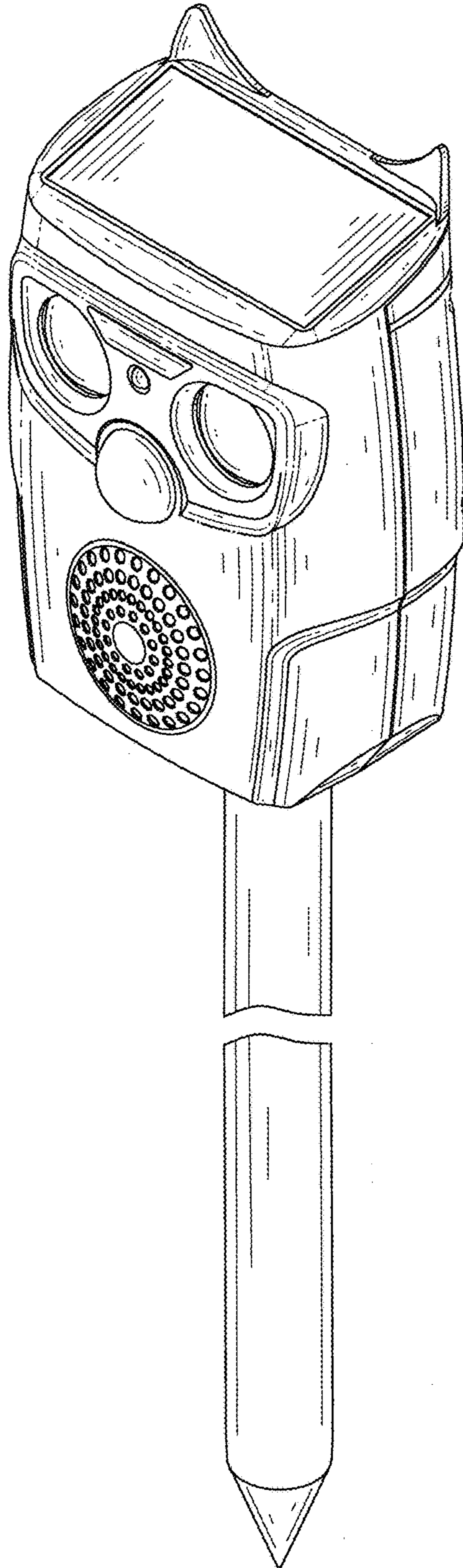


FIG. 1

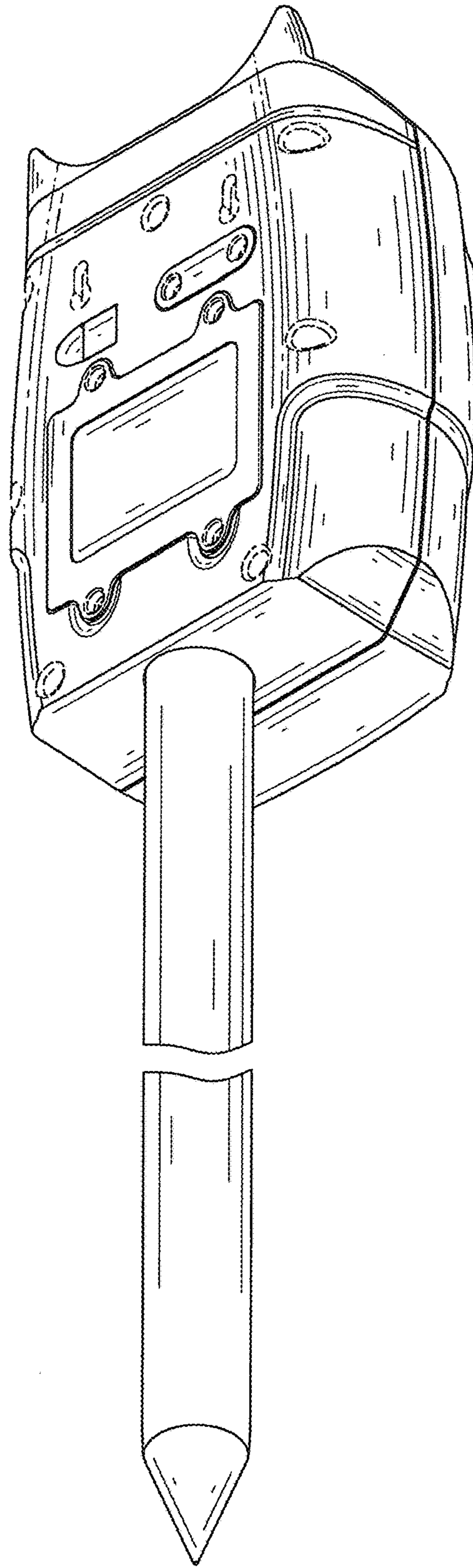


FIG. 2

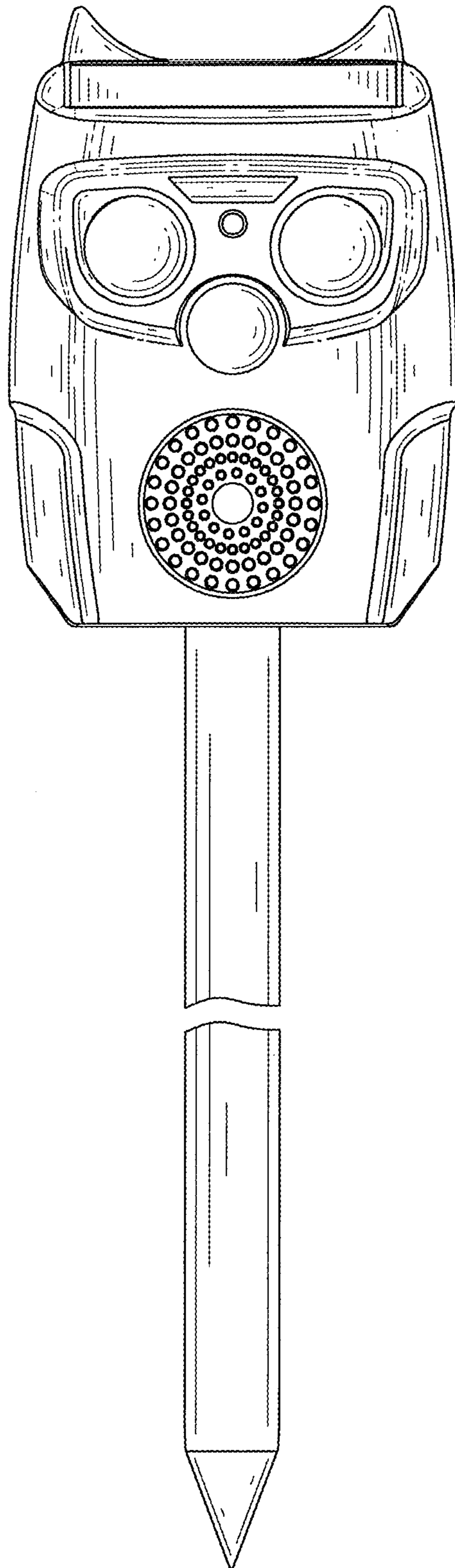


FIG. 3

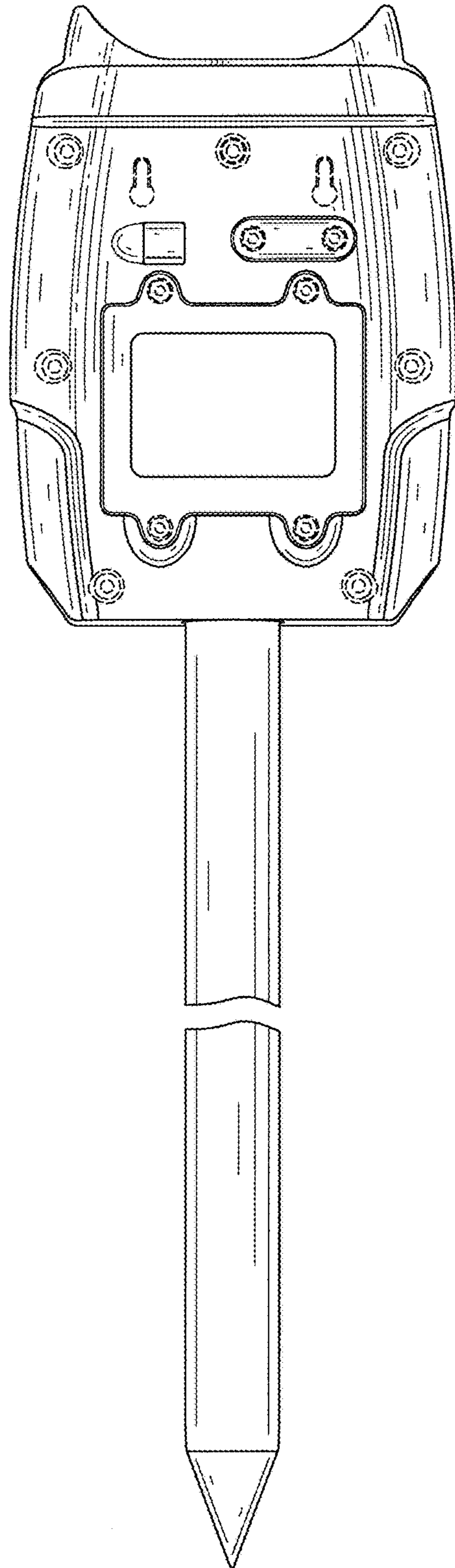


FIG. 4

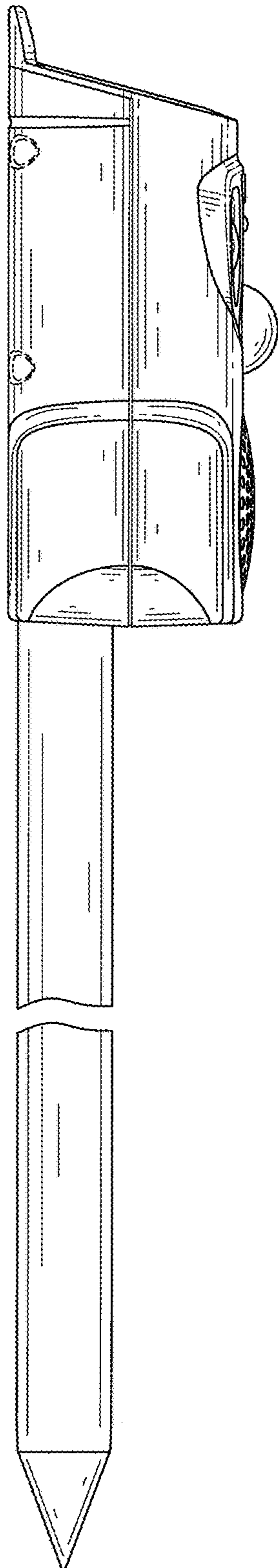


FIG. 5

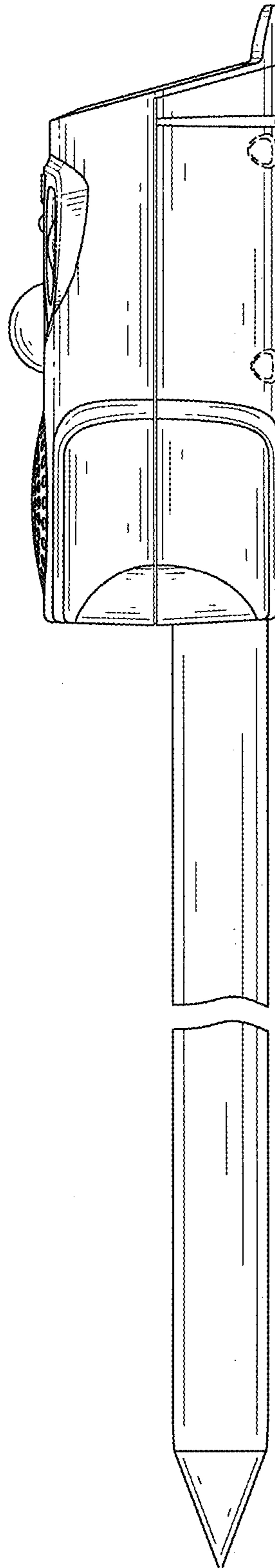


FIG. 6

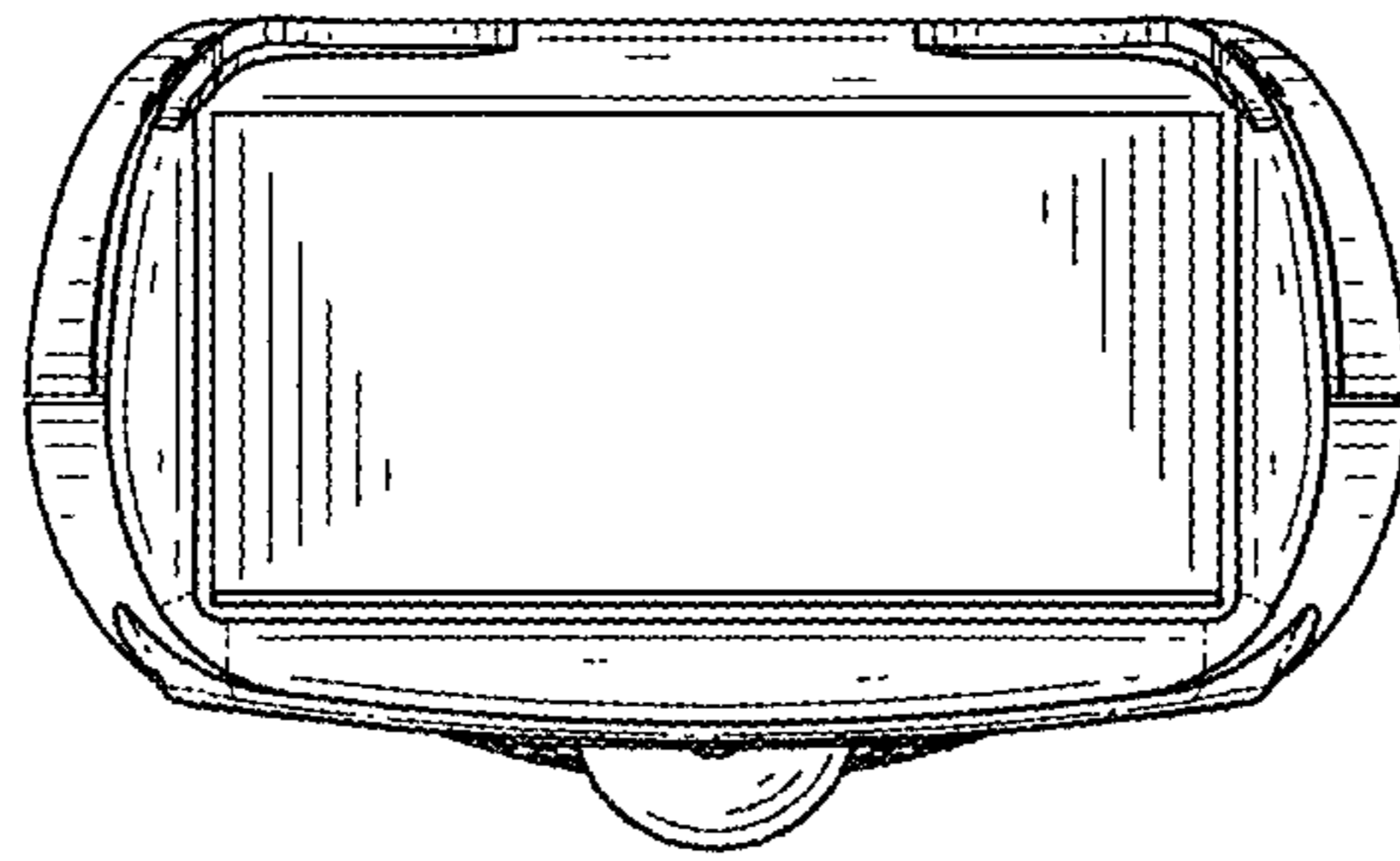


FIG. 7

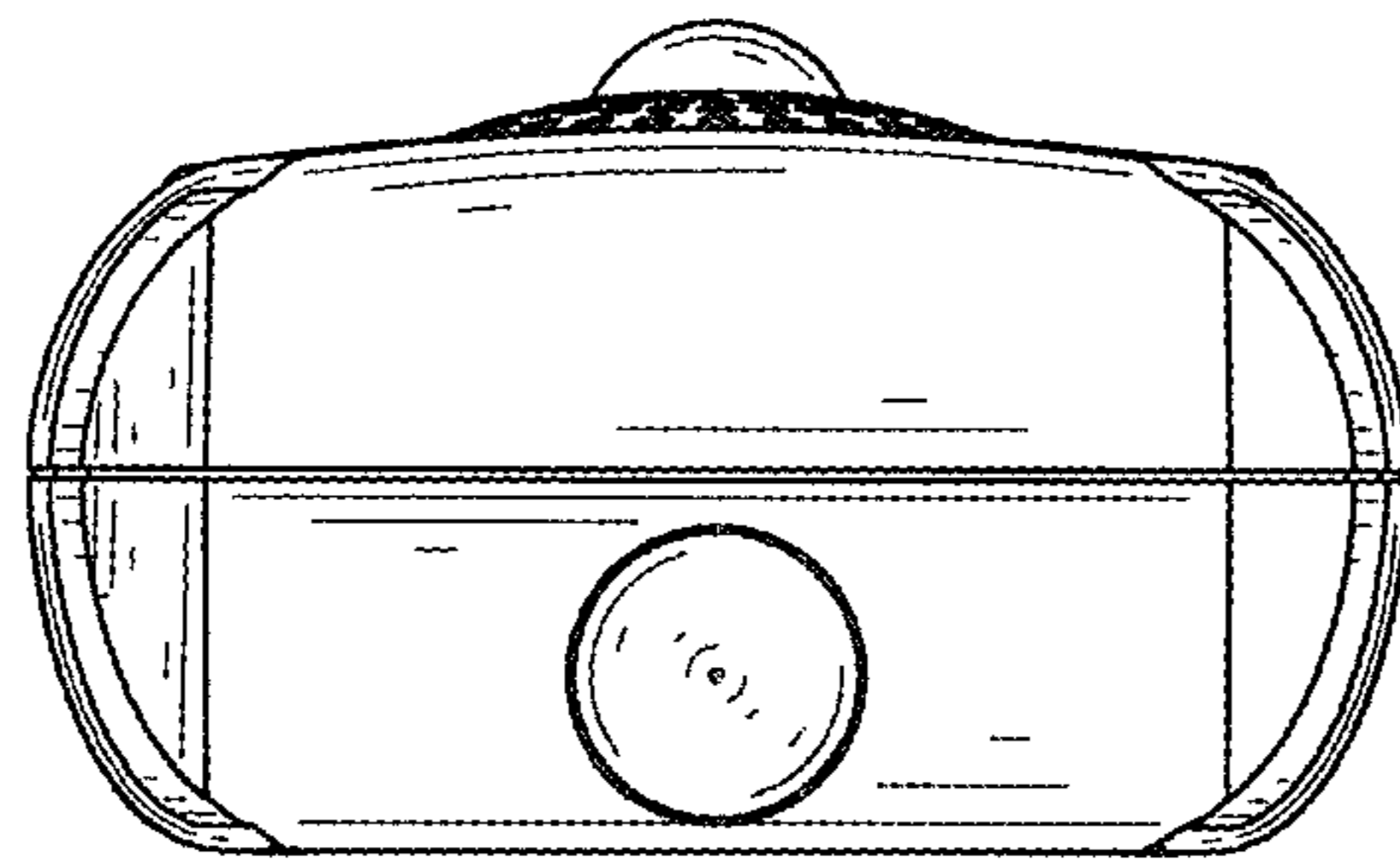


FIG. 8