



US00D839986S

(12) **United States Design Patent**
Bjegovich

(10) **Patent No.:** **US D839,986 S**

(45) **Date of Patent:** **** Feb. 5, 2019**

(54) **SPEED LOADER FOR THE AR-15**
(71) Applicant: **Vaso Bjegovich**, Colorado Springs, CO
(US)
(72) Inventor: **Vaso Bjegovich**, Colorado Springs, CO
(US)
(**) Term: **15 Years**

(21) Appl. No.: **29/610,665**

(22) Filed: **Jul. 14, 2017**

(51) **LOC (11) Cl.** **22-01**

(52) **U.S. Cl.**
USPC **D22/108**

(58) **Field of Classification Search**
USPC D22/100–104, 105, 106, 107, 108, 109,
D22/110; D21/567–525; 89/37.04,
89/191.01; 42/51, 17.01, 75.01, 111, 122,
42/130, 1.06, 16, 87
CPC F41A 3/66; F41A 9/00; F41A 9/61; F41A
9/85; F41A 21/28; F41A 21/32; F41C
3/14; F41C 27/22
See application file for complete search history.

(56) **References Cited**

U.S. PATENT DOCUMENTS

D329,078 S * 9/1992 Hasselbush D22/108
D613,361 S * 4/2010 Peterson D22/108
9,273,917 B1 * 3/2016 Buckner F41A 9/83
9,696,114 B1 * 7/2017 Cabrera F41G 1/17
D800,243 S * 10/2017 Niswander D22/108
9,970,727 B2 * 5/2018 Niswander F41A 21/36
2005/0081421 A1 * 4/2005 Guy F41A 9/83
42/88

2007/0017140 A1 * 1/2007 Pikielny F41A 9/83
42/87
2007/0157501 A1 * 7/2007 Cammenga F41A 9/67
42/87
2010/0313460 A1 * 12/2010 Tucker F41A 9/83
42/87
2011/0167706 A1 * 7/2011 Glock F41G 1/10
42/111
2013/0061505 A1 * 3/2013 Faifer F41A 9/83
42/87
2017/0205178 A1 * 7/2017 Niswander F41A 21/36
2018/0073828 A1 * 3/2018 Niswander F41C 3/00

* cited by examiner

Primary Examiner — Ian Simmons

Assistant Examiner — Yolanda Robinson

(74) *Attorney, Agent, or Firm* — Dunlap Bennett &
Ludwig PLLC

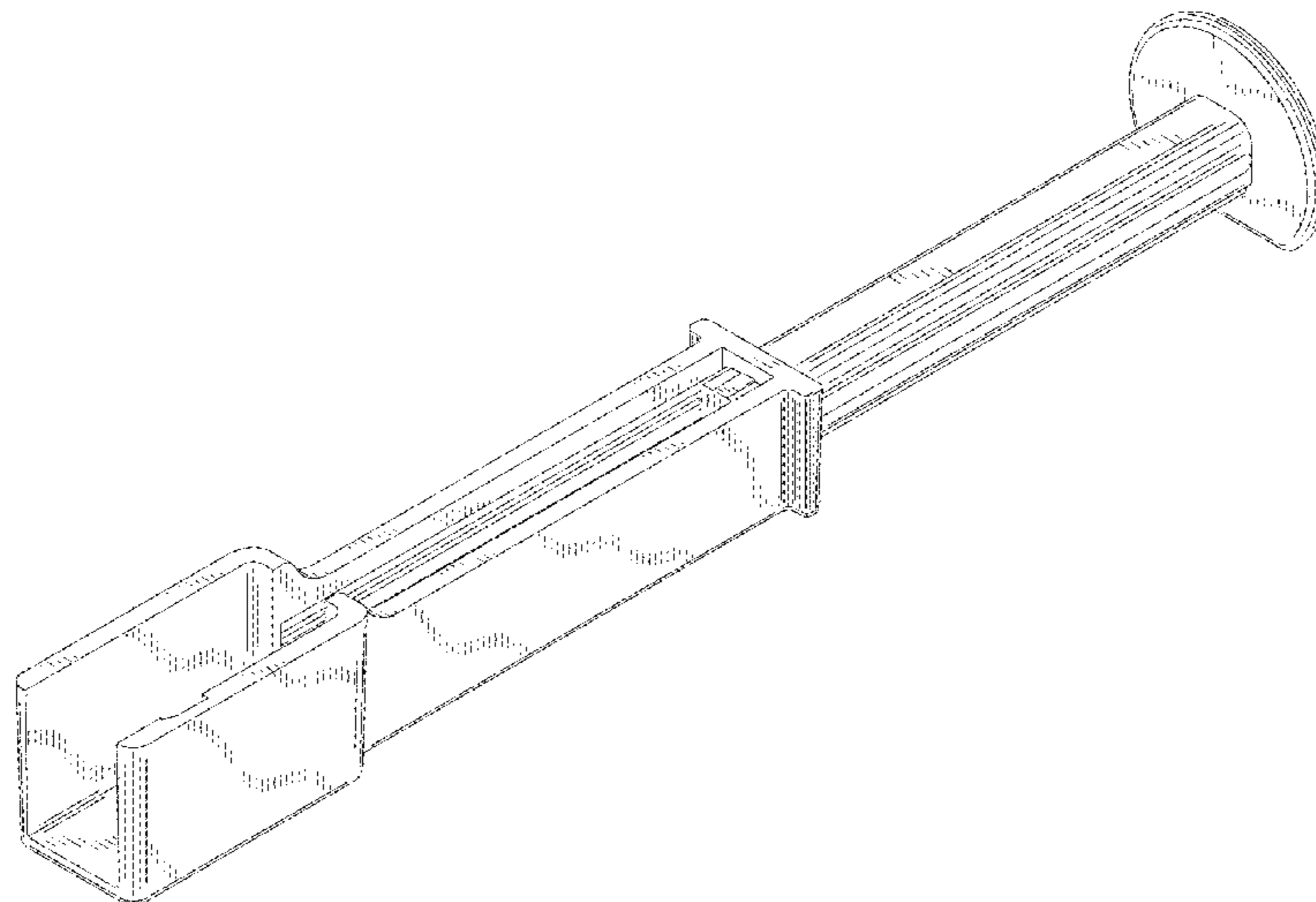
(57) **CLAIM**

The ornamental design for a speed loader for the AR-15, as shown and described.

DESCRIPTION

FIG. 1 is a perspective view of a speed loader for the AR-15, showing my new design;
FIG. 2 is a front elevation view thereof;
FIG. 3 is a rear elevation view thereof;
FIG. 4 is a left side elevation view thereof;
FIG. 5 is a right side elevation view thereof;
FIG. 6 is a top plan view thereof; and,
FIG. 7 is a bottom plan view thereof.
The broken lines shown in the drawings depict portions of the speed loader for the AR-15 that form no part of the claimed design.

1 Claim, 3 Drawing Sheets



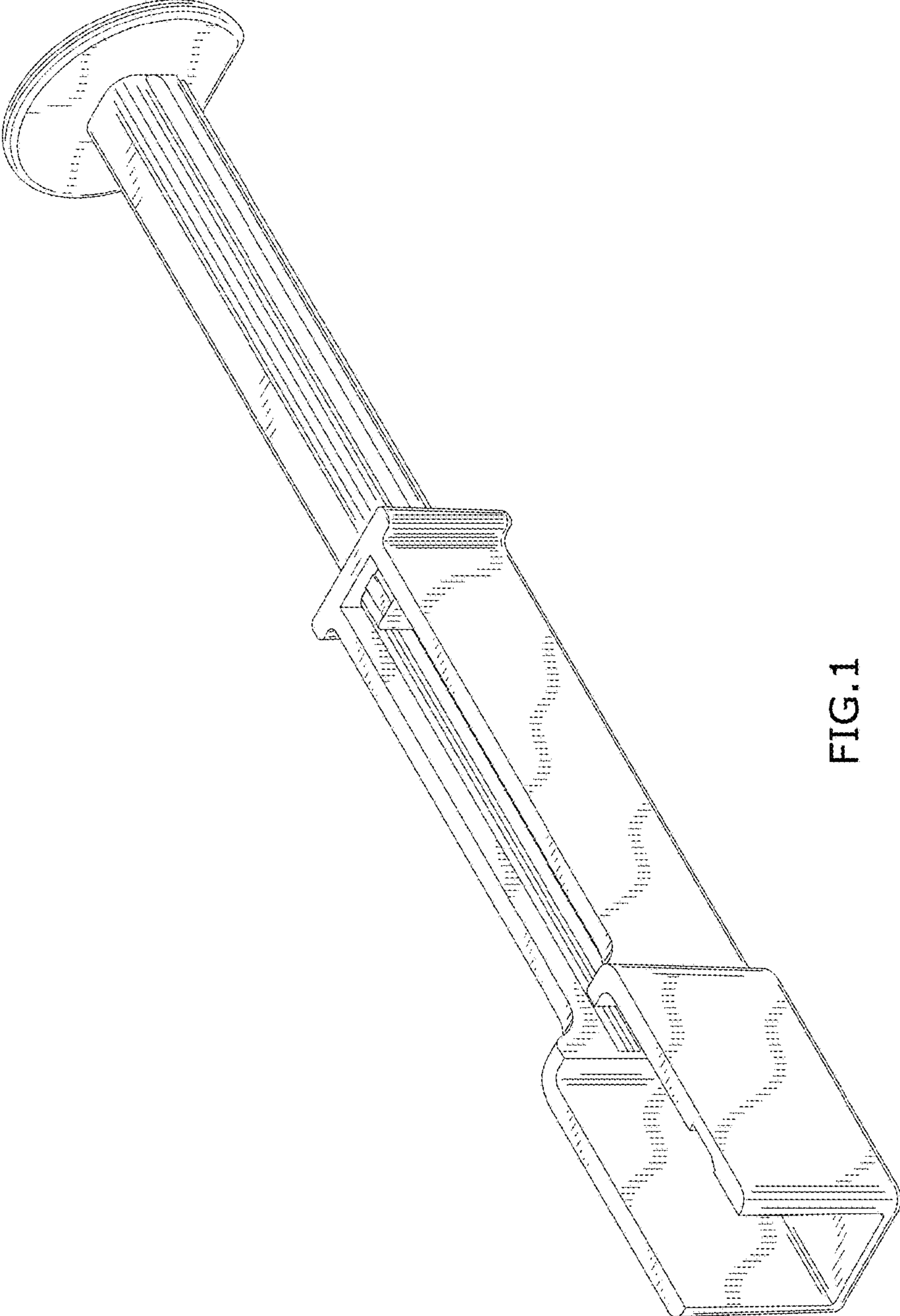


FIG. 1

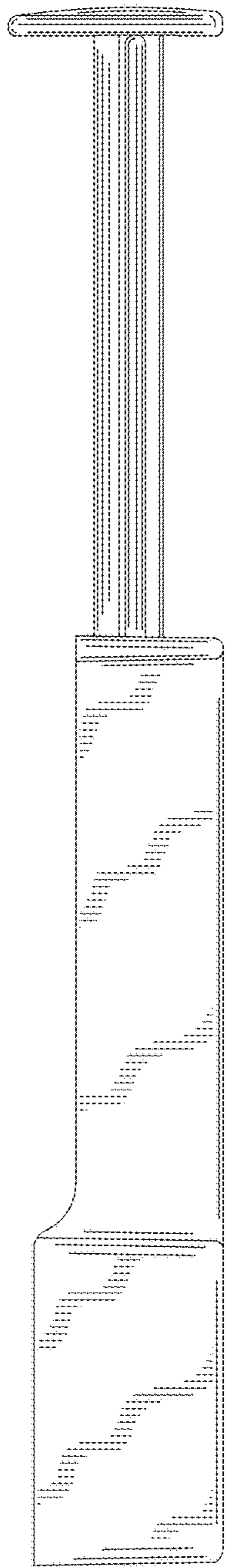


FIG. 2

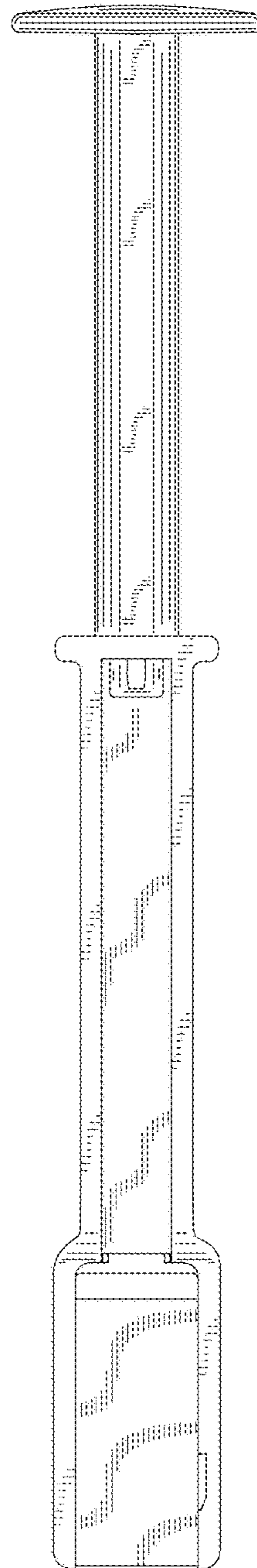


FIG. 3

