



US00D839985S

(12) **United States Design Patent** (10) **Patent No.:** **US D839,985 S**  
**Sealing** (45) **Date of Patent:** **\*\* Feb. 5, 2019**

(54) **SHOT SHELL LOADER FOR SHOTGUN MAGAZINES**

(71) Applicant: **Jeffery Sealing**, Denver, CO (US)

(72) Inventor: **Jeffery Sealing**, Denver, CO (US)

(\*\*) Term: **15 Years**

(21) Appl. No.: **29/599,808**

(22) Filed: **Apr. 6, 2017**

(51) **LOC (11) Cl.** ..... **22-01**

(52) **U.S. Cl.**  
USPC ..... **D22/108**

(58) **Field of Classification Search**  
USPC ..... D22/101, 107–111  
CPC ..... F41A 9/82; F41A 9/83  
See application file for complete search history.

(56) **References Cited**

**U.S. PATENT DOCUMENTS**

D296,880 S *	7/1988	Morocco	.....	D10/119.1
4,993,180 A *	2/1991	Upchurch	.....	F41A 9/83
				42/87
D420,088 S *	2/2000	Sheehan	.....	D16/130
D477,047 S *	7/2003	Springer	.....	D22/108
8,127,480 B1 *	3/2012	McManus	.....	F41A 9/82
				42/49.02
D677,178 S *	3/2013	Delgado Acarreta	.....	D10/46
D725,218 S *	3/2015	Iosilevsky	.....	D22/108
D821,534 S *	6/2018	Couie	.....	D22/108
D824,477 S *	7/2018	Hefer	.....	D22/108
2014/0352189 A1 *	12/2014	Burt et al.	.....	F41A 9/62
2017/0051991 A1 *	2/2017	Birk et al.	.....	F41A 9/83
2018/0058785 A1 *	3/2018	Hefer	.....	F41A 9/83
2018/0066907 A1 *	3/2018	Hefer	.....	F41A 9/83
2018/0080727 A1 *	3/2018	Couie	.....	F41A 9/67
2018/0080729 A1 *	3/2018	Couie	.....	F41A 9/67

**OTHER PUBLICATIONS**

CN-304427581, posted at Orbit, publication date Dec. 26, 2017. [Site visited Sep. 14, 2018] Available from internet. (Year: 2017).\*  
CA-173448, posted at Orbit, publication date Apr. 13, 2018. [Site visited Sep. 14, 2018] Available from internet. (Year: 2018).\*  
CN-304666041, posted at Orbit, publication date Jun. 5, 2018. [Site visited Sep. 14, 2018] Available from internet. (Year: 2018).\*  
CA-173447, posted at Orbit, publication date Apr. 13, 2018. [Site visited Sep. 14, 2018] Available from internet. (Year: 2018).\*  
MakerShot, MakerShot Speedloader for Glock 42 .380 ACP, posted at YouTube, posting date May 3, 2016. [Site visited Sep. 14, 2018] Available from internet. URL: <https://www.youtube.com/watch?v=aqknV4gcAPA> (Year: 2016).\*

\* cited by examiner

*Primary Examiner* — Kevin K Rudzinski  
*Assistant Examiner* — Kathleen L Jones

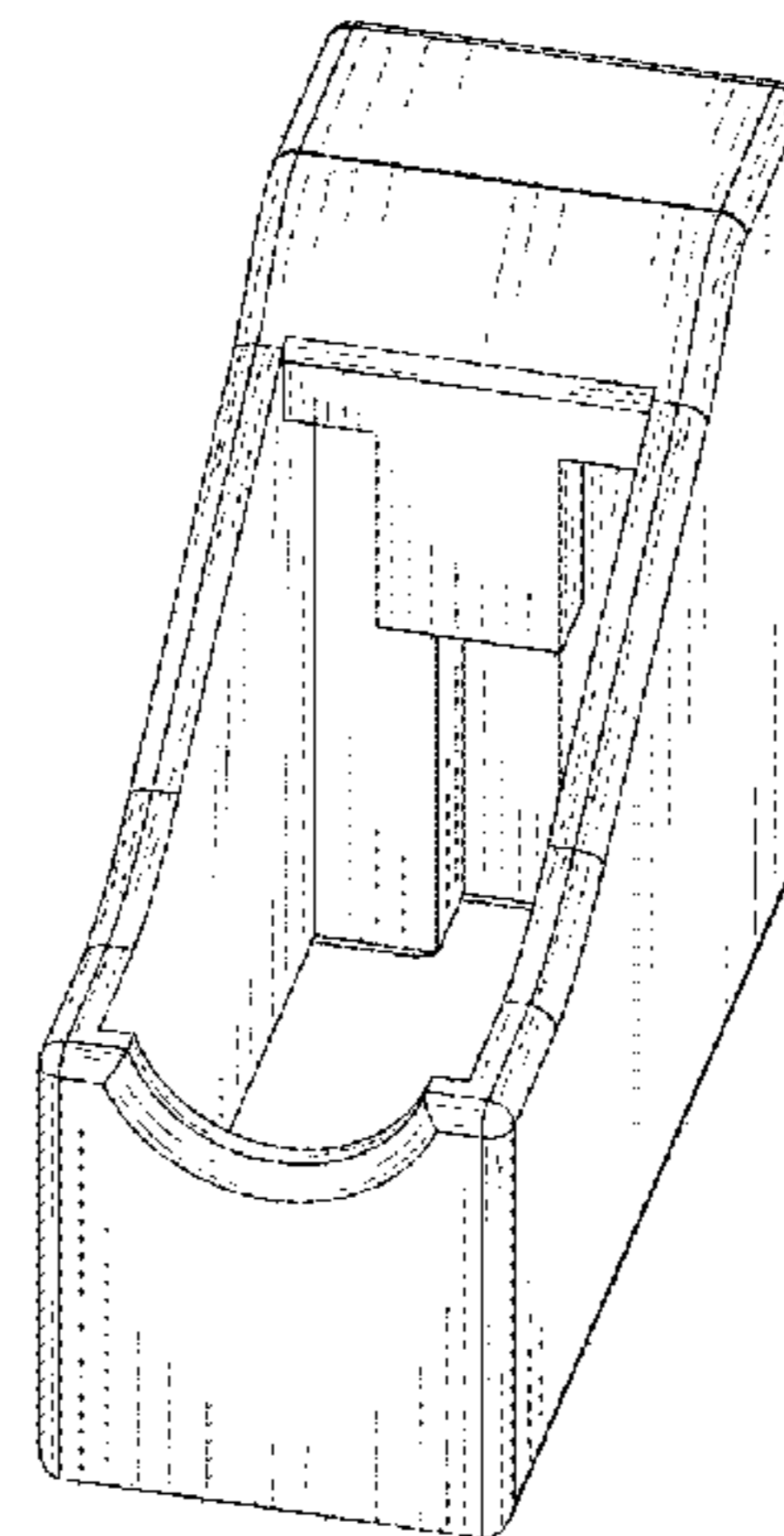
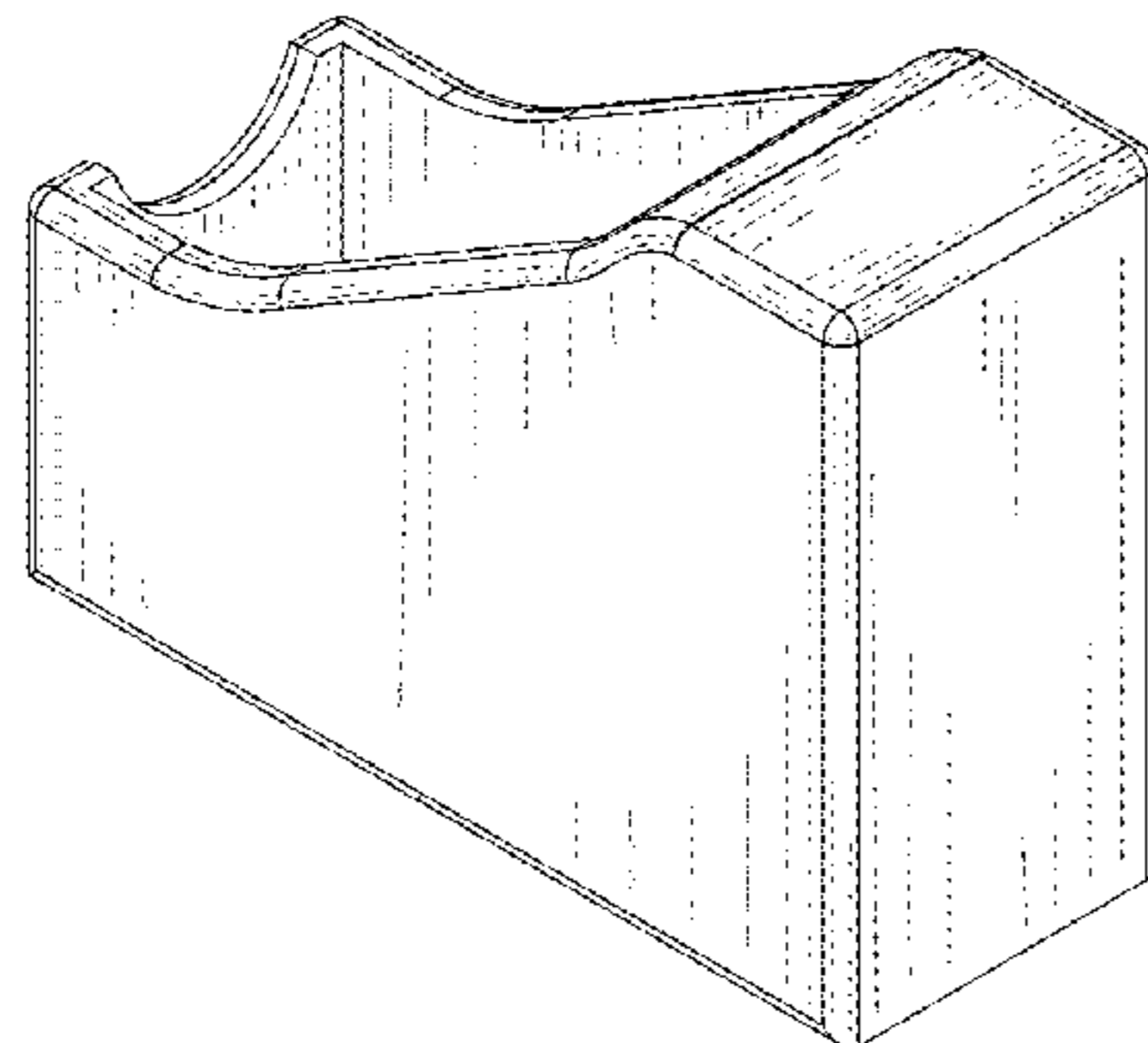
(57) **CLAIM**

The ornamental design for a shot shell loader for shotgun magazines, as shown and described.

**DESCRIPTION**

FIG. 1 is a perspective view of a shot shell loader for shotgun magazines;  
FIG. 2 is an additional perspective view thereof;  
FIG. 3 is a left side elevation view thereof, a right-side elevation view being a mirror image thereof;  
FIG. 4 is a top plan view thereof;  
FIG. 5 is a bottom plan view thereof;  
FIG. 6 is a back view thereof; and,  
FIG. 7 is a frontal view thereof.

**1 Claim, 7 Drawing Sheets**



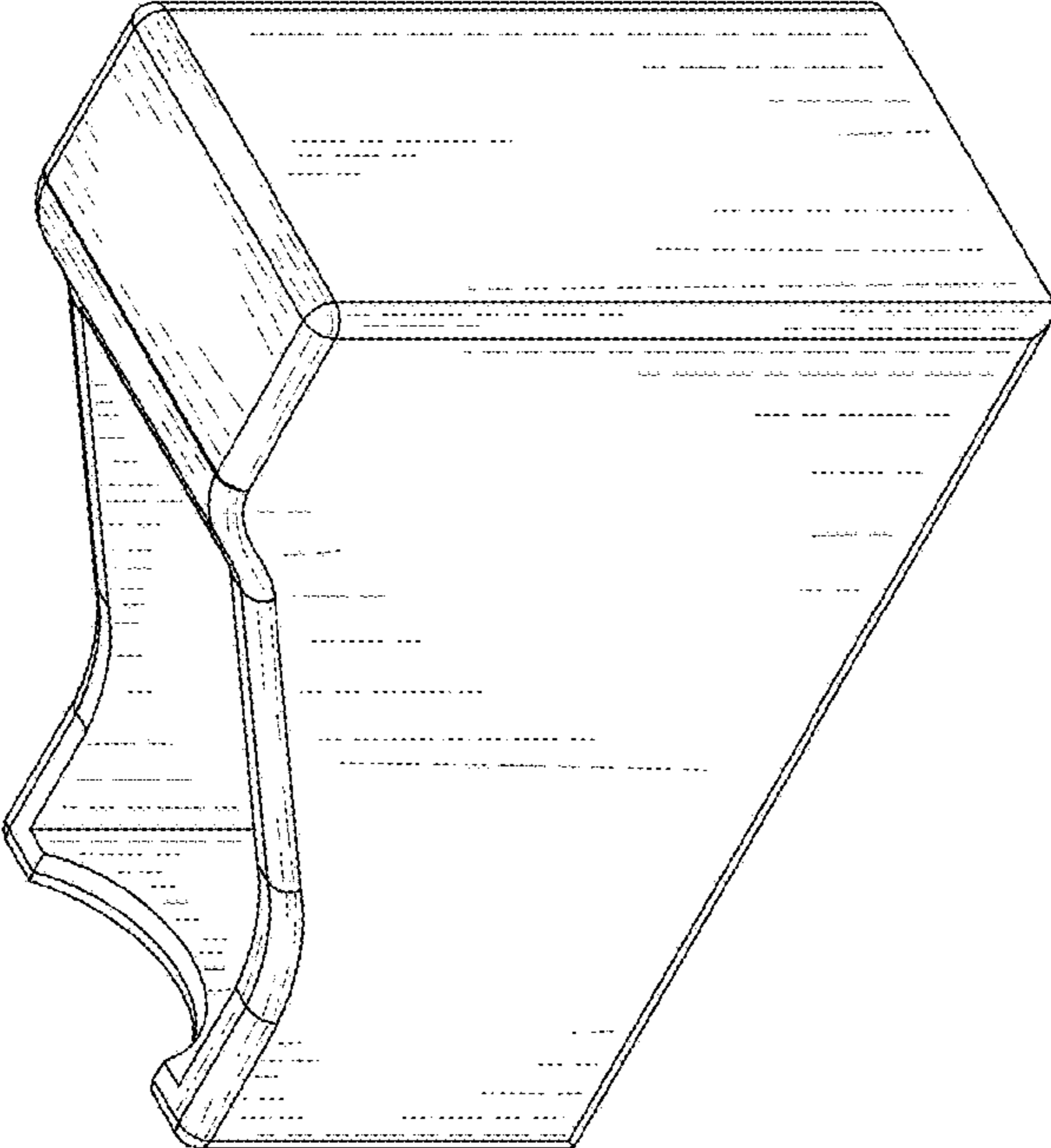


FIG. 1

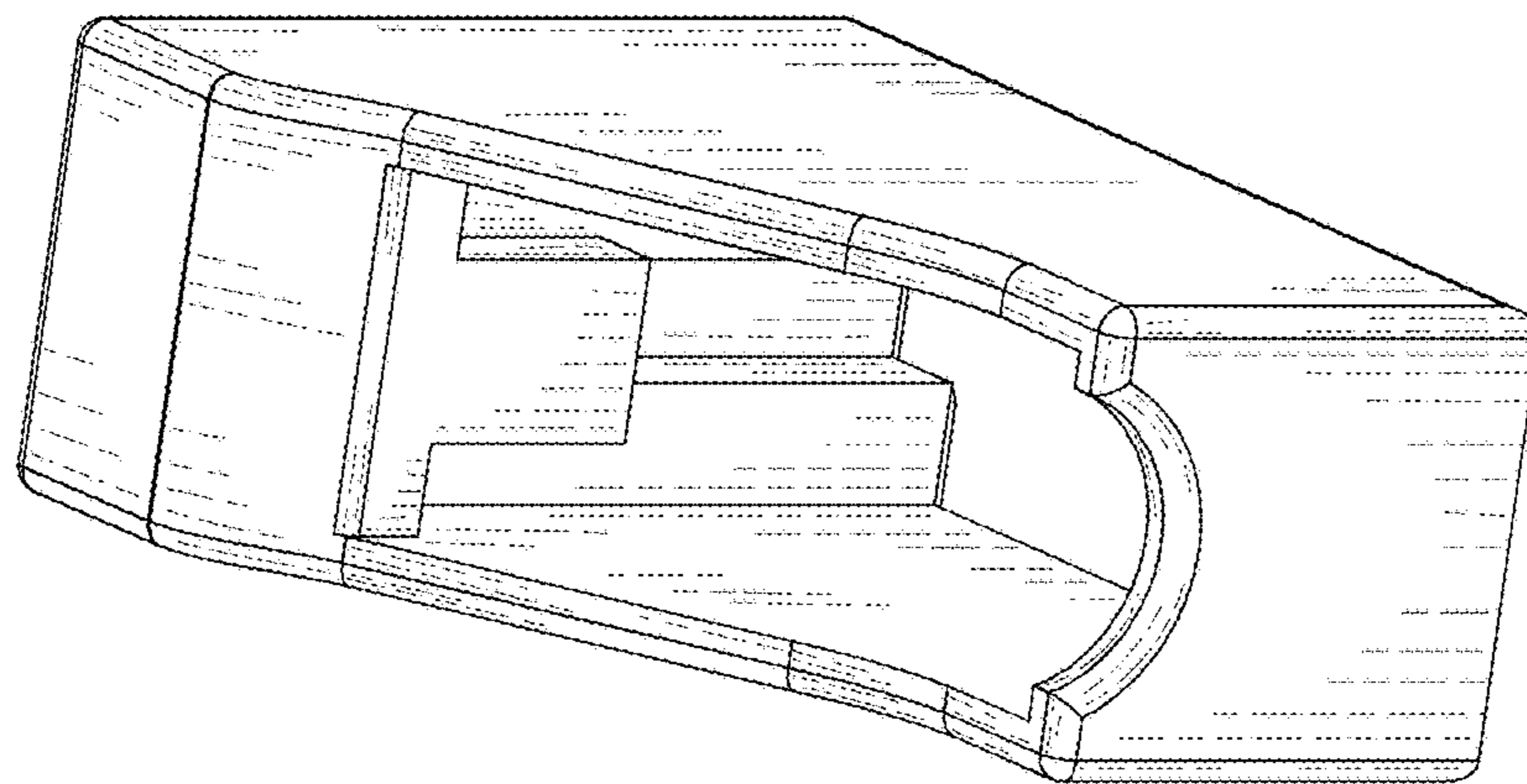


FIG. 2

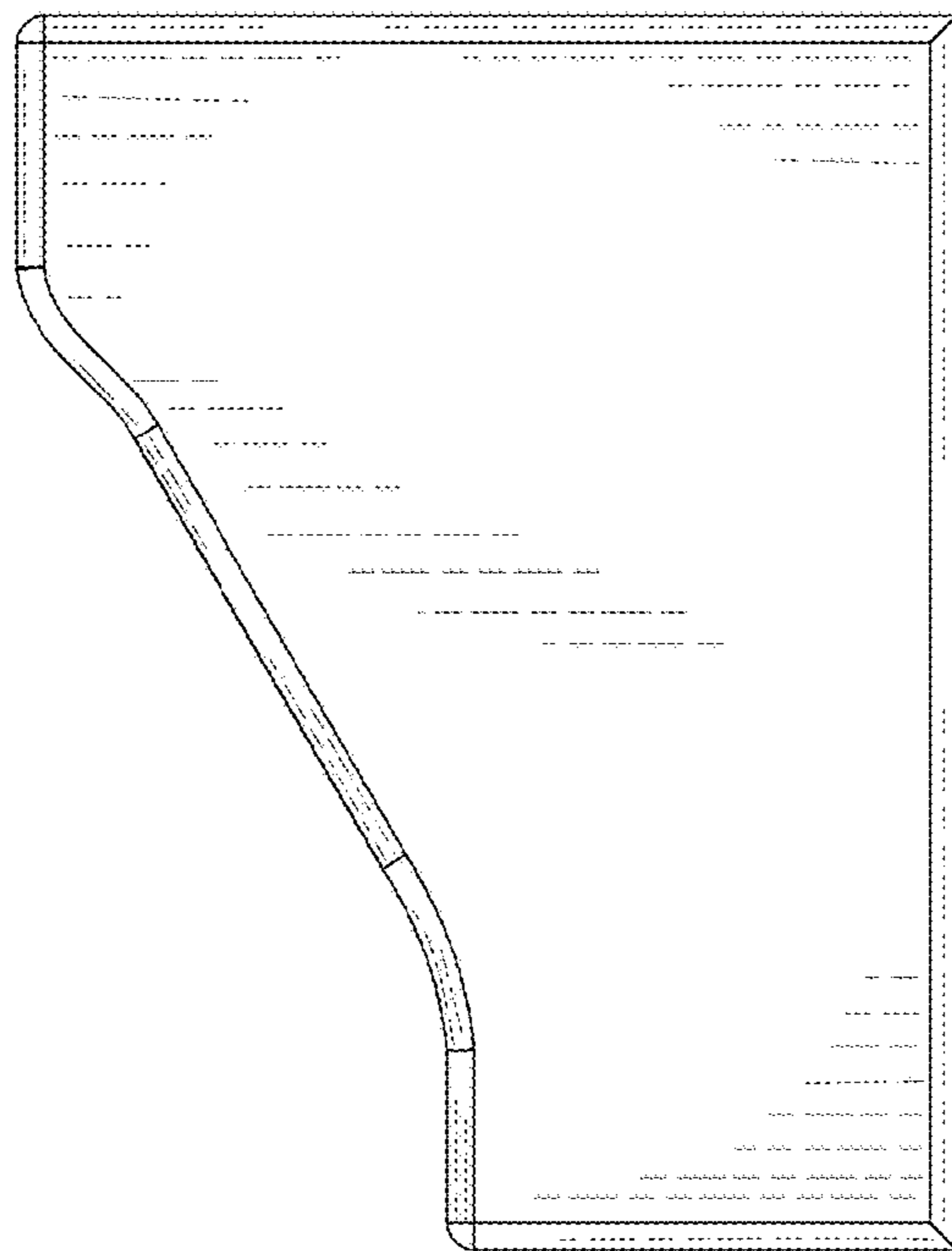


FIG. 3

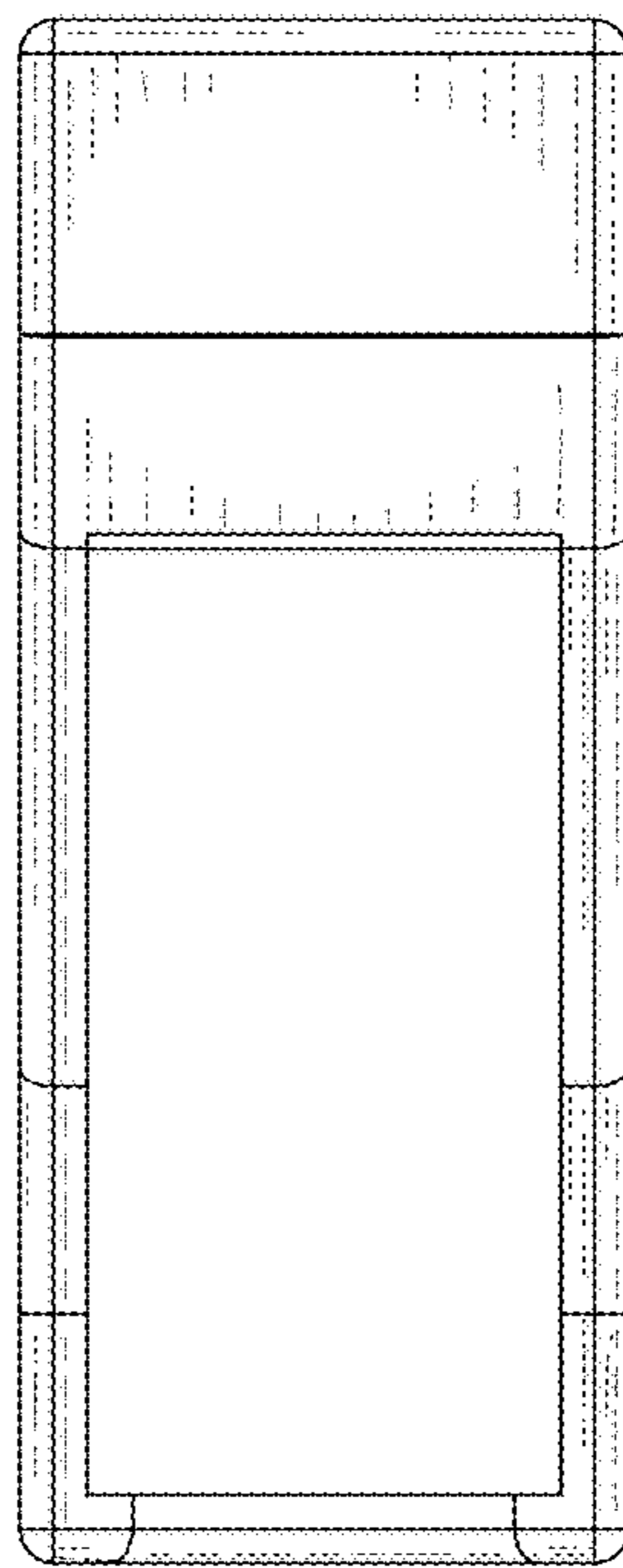


FIG. 4

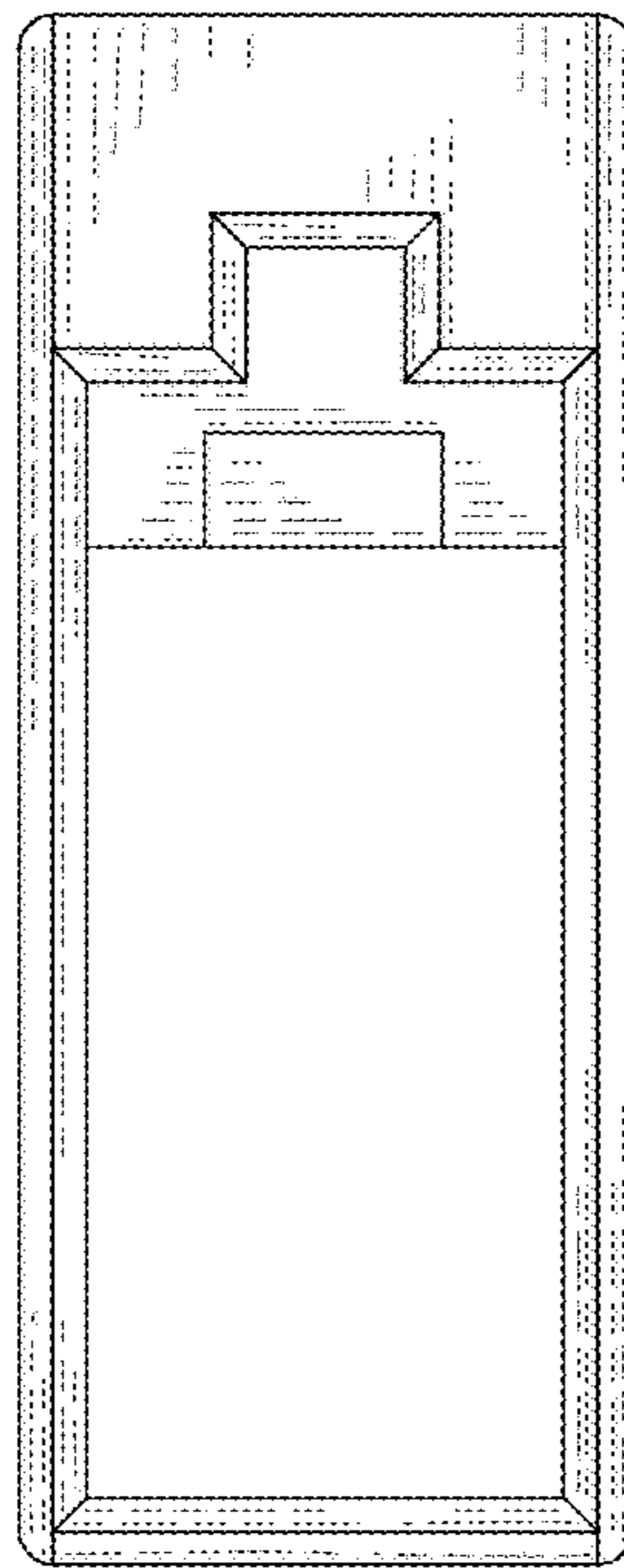


FIG. 5

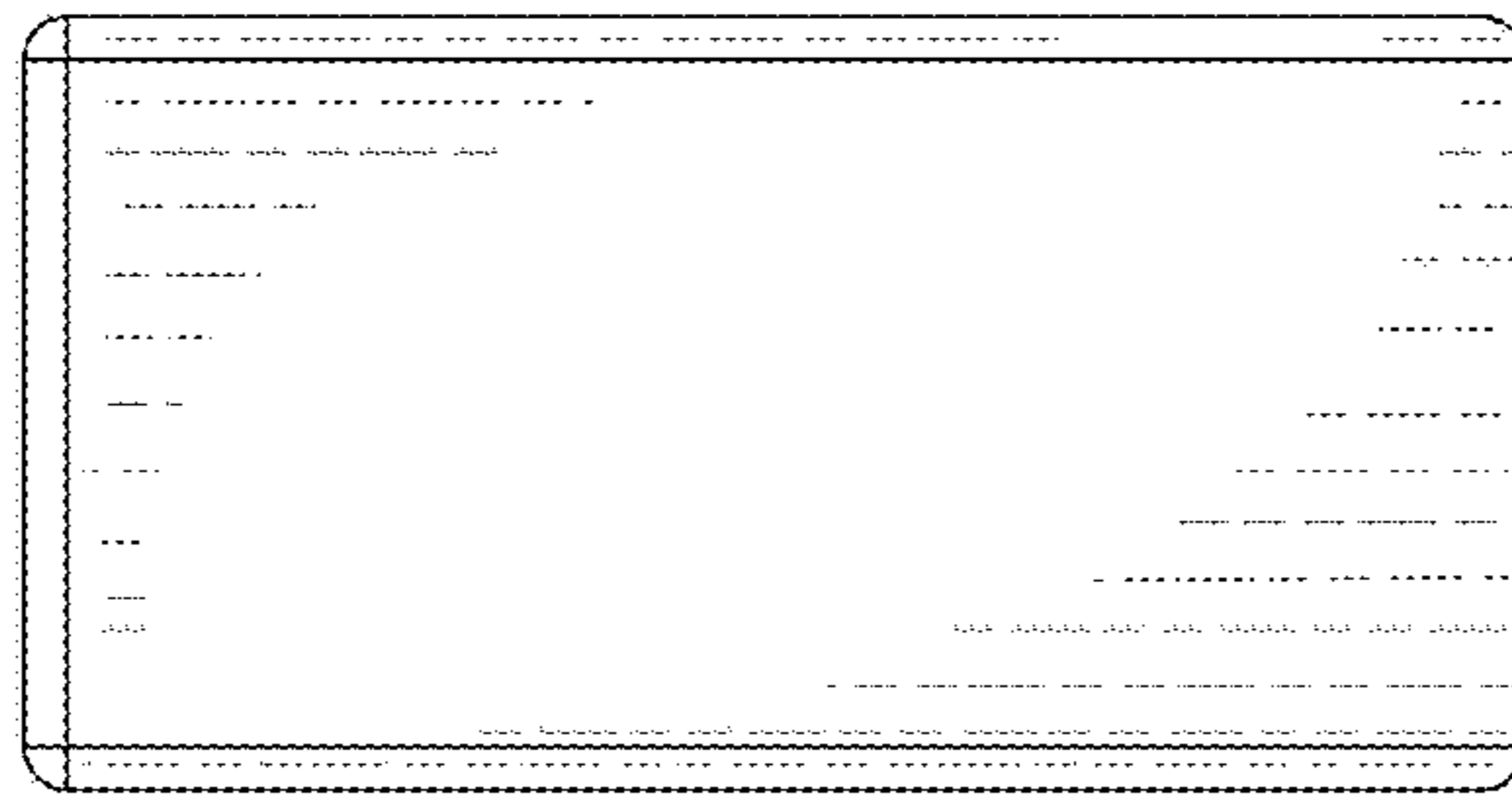


FIG. 6

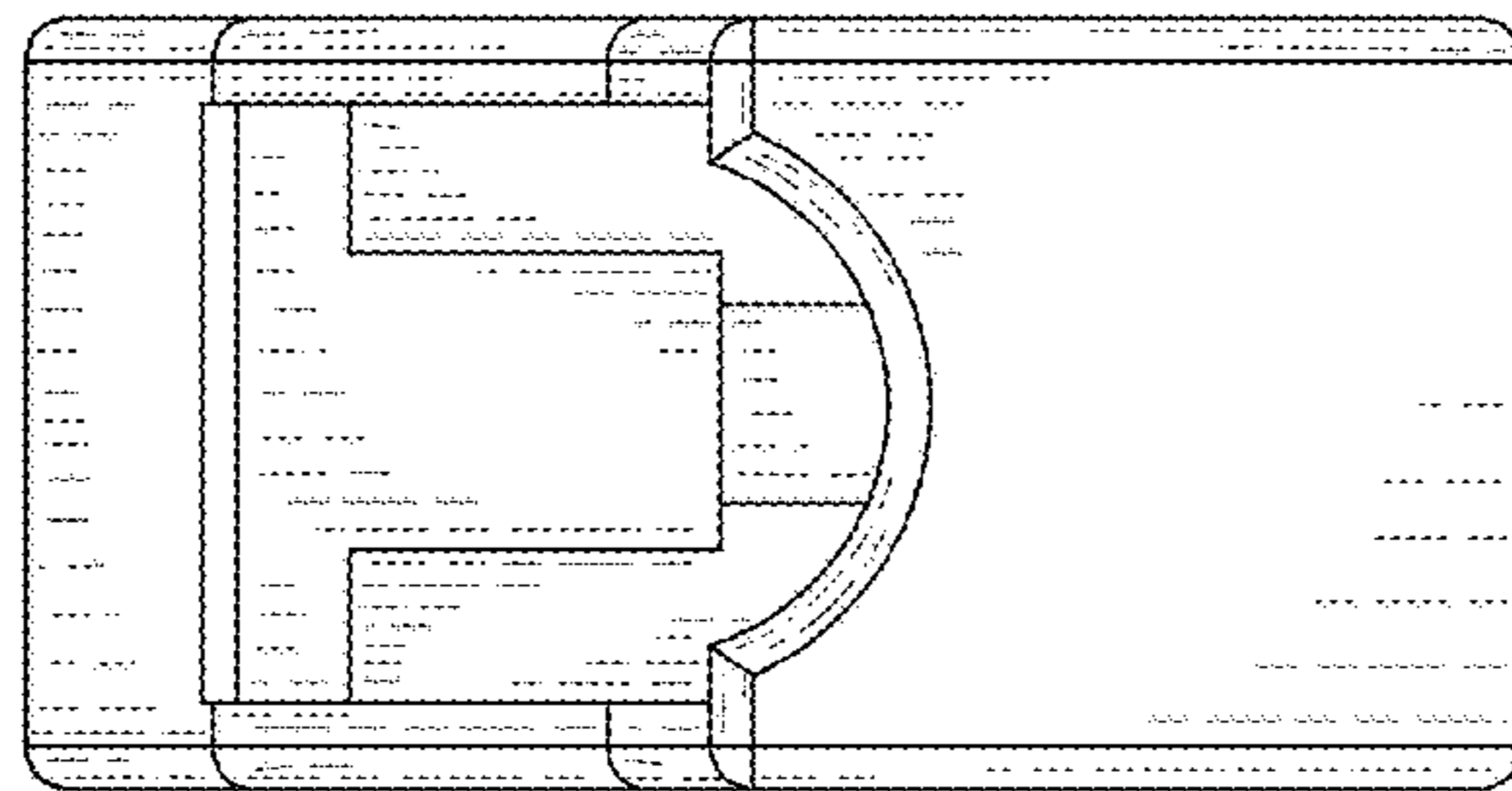


FIG. 7