



US00D839983S

(12) **United States Design Patent** (10) **Patent No.:** **US D839,983 S**
Cirjak (45) **Date of Patent:** **** Feb. 5, 2019**

(54) **INFLATABLE BASIN**
(71) Applicant: **The Shrunks**, Burnaby (CA)
(72) Inventor: **David Cirjak**, Burnaby (CA)
(73) Assignee: **The Shrunks**, Burnaby (CA)
(**) Term: **15 Years**

(21) Appl. No.: **29/611,618**
(22) Filed: **Jul. 24, 2017**
(51) **LOC (11) Cl.** **21-03**
(52) **U.S. Cl.**
USPC **D21/815; D21/835**
(58) **Field of Classification Search**
USPC D21/815, 816, 835; D24/201-205;
D23/277, 278, 284, 283; D25/2
CPC A61H 33/00; A61H 33/04; A61H 35/00
See application file for complete search history.

(56) **References Cited**

U.S. PATENT DOCUMENTS

D213,839 S *	4/1969	Diamond	D21/815
D221,495 S *	8/1971	Cavenah	D24/205
D240,084 S *	5/1976	Melchior	D21/815
D267,271 S *	12/1982	Kingsley	D23/280.1
D283,545 S *	4/1986	Kohler, Jr.	D24/205
D323,701 S *	2/1992	Primucci	D23/277
D399,306 S *	10/1998	Hansen	D23/277

D407,132 S *	3/1999	Sedlmeier	D21/816
D484,607 S *	12/2003	Walker	D24/204
D489,286 S *	5/2004	Rogers	D11/143
D554,729 S *	11/2007	Peterson	D21/815
D594,560 S *	6/2009	Walker	D24/201
D620,065 S *	7/2010	Michel	D21/815
9,125,794 B2 *	9/2015	Walker	A61H 33/0087
D771,221 S *	11/2016	Lin	D21/815
D772,421 S *	11/2016	Lin	D21/815
D773,063 S *	11/2016	Lin	D21/815

* cited by examiner

Primary Examiner — Mitchell I. Siegel
(74) *Attorney, Agent, or Firm* — Christensen O'Connor Johnson Kindness PLLC

(57) **CLAIM**

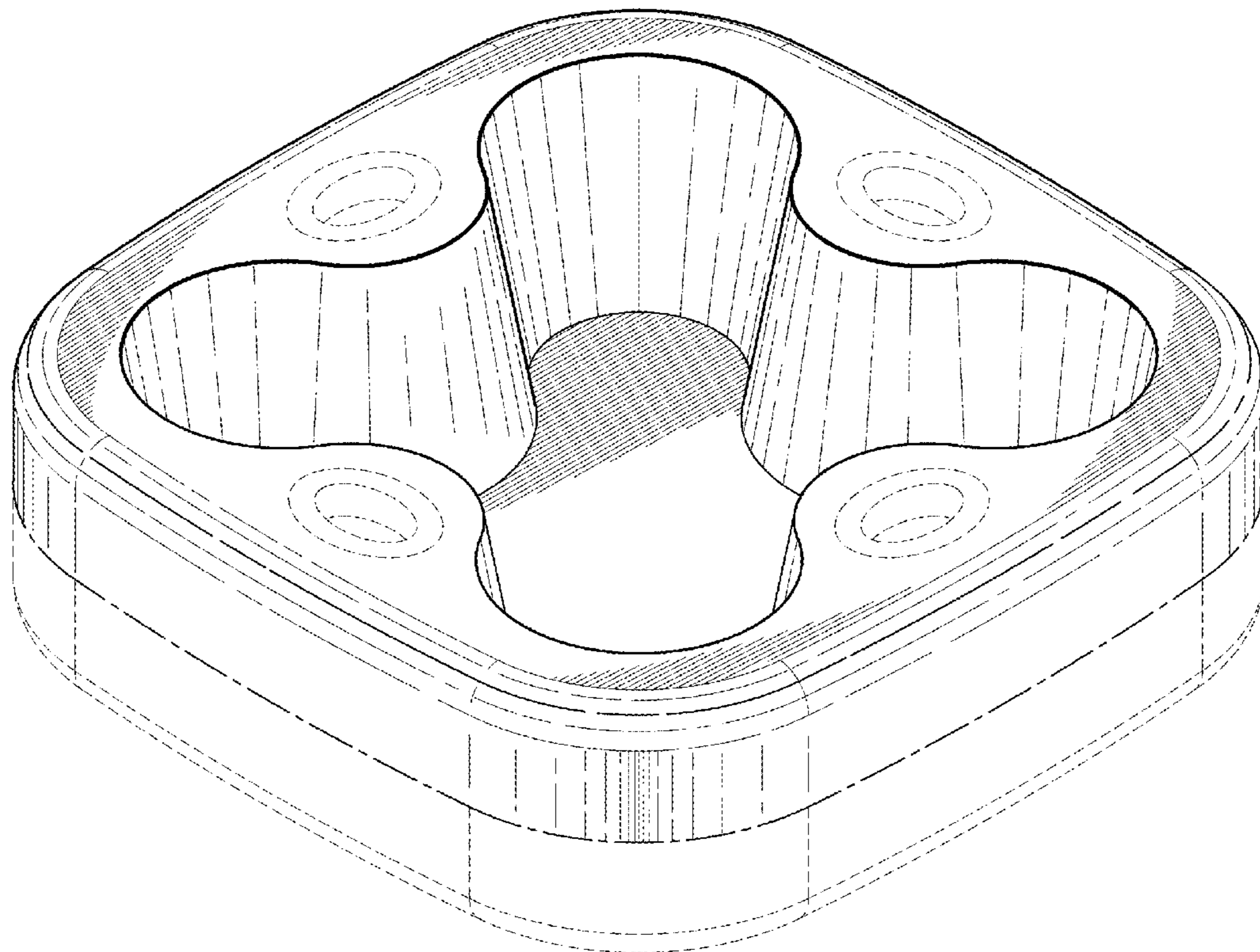
The ornamental design for an inflatable basin, as shown and described.

DESCRIPTION

FIG. 1 is a perspective view of an inflatable basin according to my new design;
FIG. 2 is a top view thereof; and,
FIG. 3 is a side view thereof, the undisclosed sides are identical.

The broken line showing portions of the inflatable basin forms no part of the claimed design. The dash-dot broken lines represent the boundary and form no part of the claimed design.

1 Claim, 2 Drawing Sheets



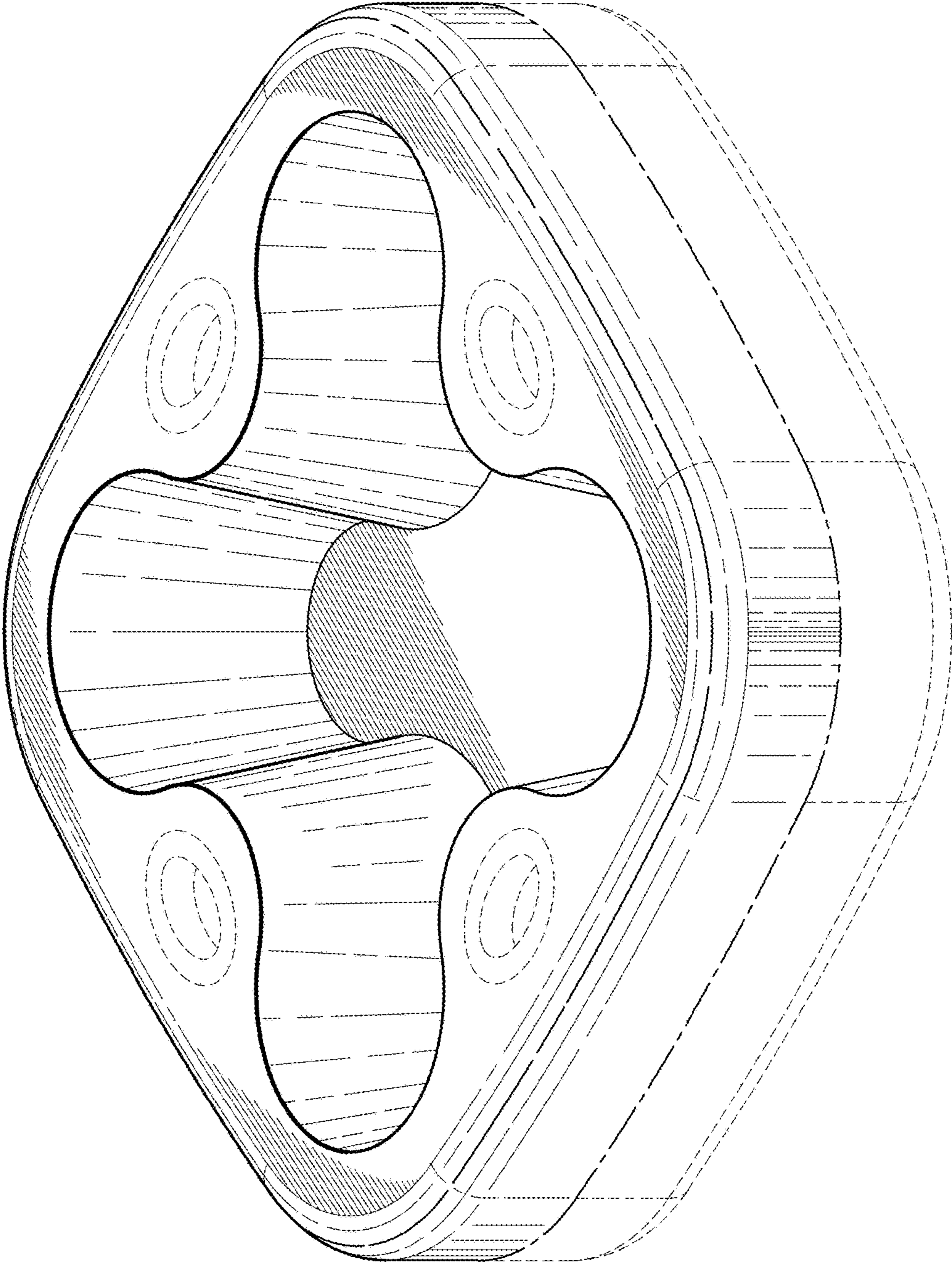


Fig. 1.

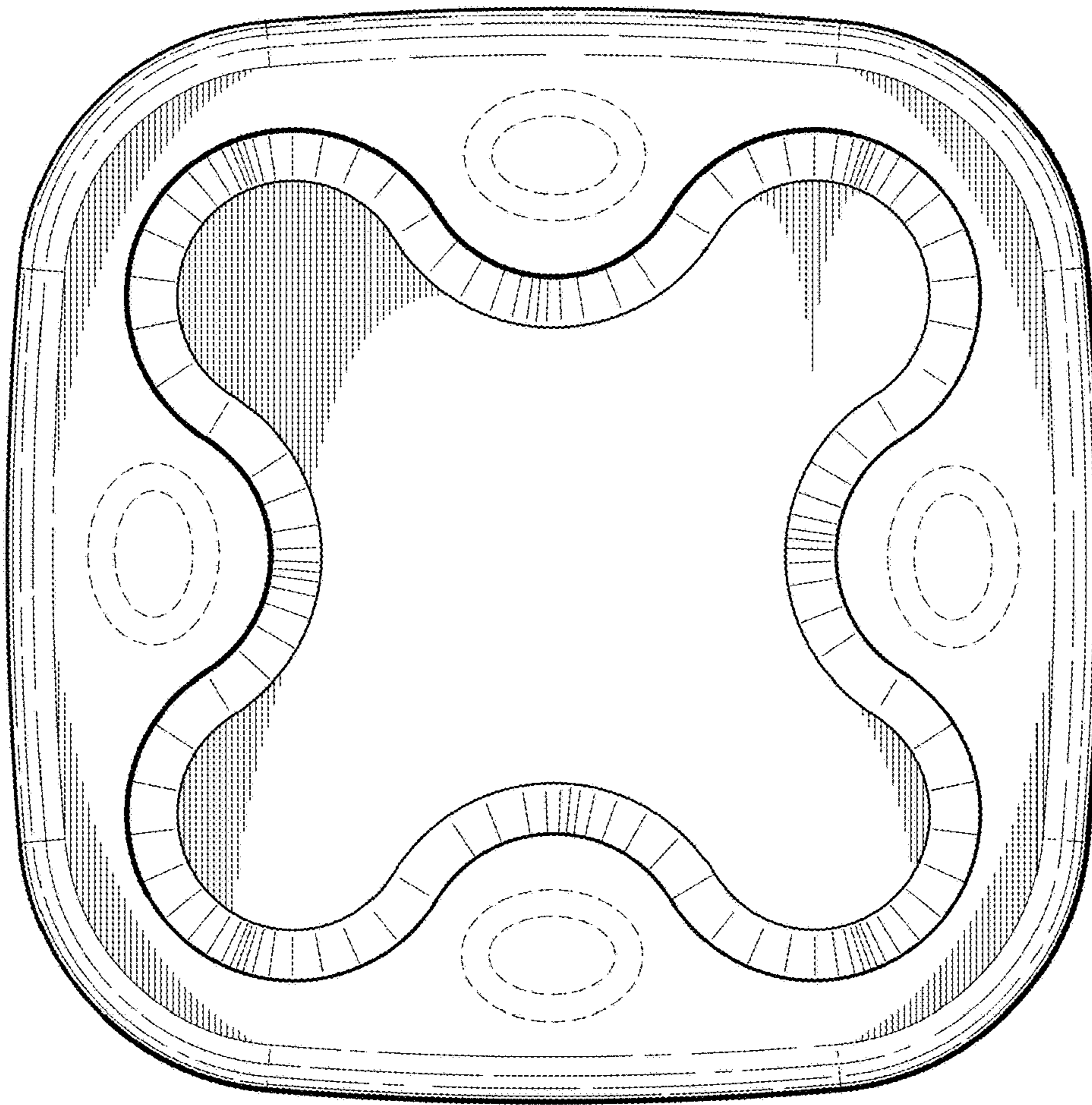


Fig. 2.

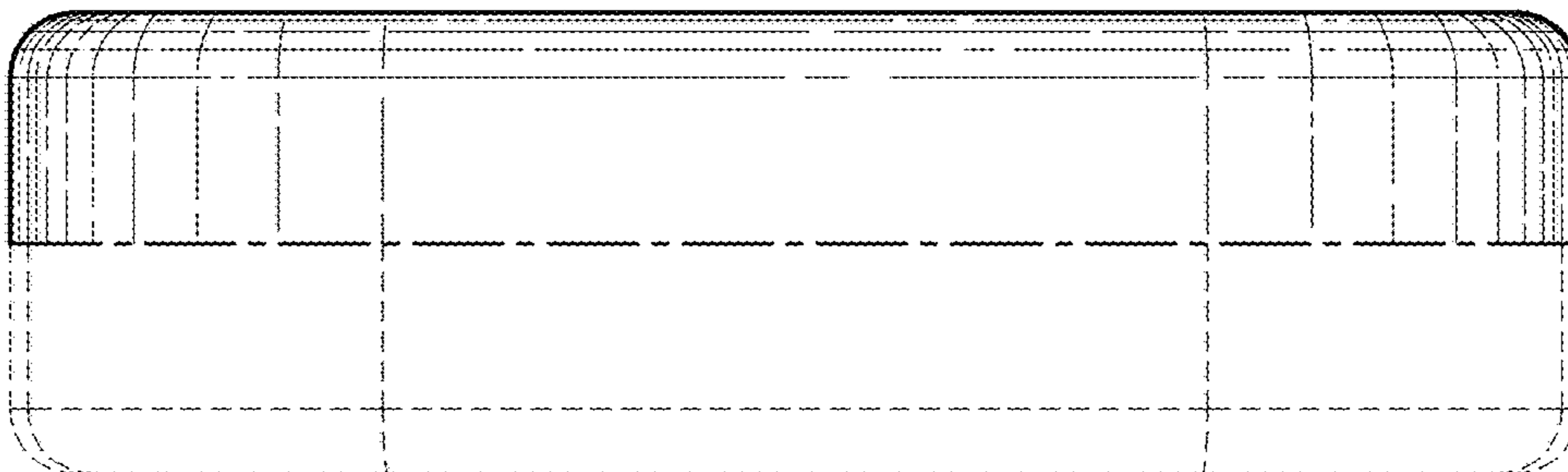


Fig. 3.