



US00D839981S

(12) **United States Design Patent** (10) **Patent No.:** **US D839,981 S**
Czane (45) **Date of Patent:** **** Feb. 5, 2019**

(54) **VOLLEYBALL-STYLE GAME APPARATUS**

(71) Applicant: **Anton Czane**, Victoria (AU)

(72) Inventor: **Anton Czane**, Victoria (AU)

(**) Term: **15 Years**

(21) Appl. No.: **29/646,426**

(22) Filed: **May 4, 2018**

Related U.S. Application Data

(62) Division of application No. 29/554,145, filed on Feb. 8, 2016, now Pat. No. Des. 820,373.

(30) **Foreign Application Priority Data**

Aug. 17, 2015 (AU) 201514217

(51) **LOC (11) Cl.** **21-02**

(52) **U.S. Cl.**
USPC **D21/799.1**; D21/698; D21/706;
D21/797

(58) **Field of Classification Search**

USPC D21/300–303, 305, 312–314, 336, 339,
D21/341, 342, 345, 346, 350, 355, 385,
D21/397, 698, 699, 705, 706, 799.1,
D21/799.2, 682, 672, 686, 692, 693, 797;
D25/12; 472/92; 473/415, 416, 434,
473/459, 460, 462, 467, 469, 473, 474,
473/476, 478, 490, 491, 492, 494, 496;
273/317, 317.1, 317.4, 342, 398, 400,
273/401, 407, 108.1, 277, 309, 440, 441;
482/27, 29

CPC A63C 19/00; A63C 19/04; A63C 19/06;
A63C 19/08; A63C 2203/00; A63C
2203/08; A63F 7/00; A63F 7/0017; A63F
7/06; A63F 7/0652; A63F 7/0656; A63F
7/30; A63F 7/36; A63F 7/3674; A63F
2007/3005; A63F 2007/3025; A63F
2007/341; A63F 2007/3622; A63F

2007/3625; A63F 2007/3633; A63F
2007/367; A63B 61/00; A63B 61/003;
A63B 61/006; A63B 61/02; A63B 63/00;
(Continued)

(56) **References Cited**

U.S. PATENT DOCUMENTS

1,433,437 A * 10/1922 Wakeham A63B 67/002
273/400
3,312,471 A * 4/1967 Nissen A63B 5/11
182/139

(Continued)

FOREIGN PATENT DOCUMENTS

EP 0107456 A1 * 5/1984 A63B 5/11
EP 3072560 A1 * 9/2016 A63B 71/02

(Continued)

Primary Examiner — Catherine A Tuttle

(74) *Attorney, Agent, or Firm* — Mitchell Law PLLC;
Matthew W. Mitchell

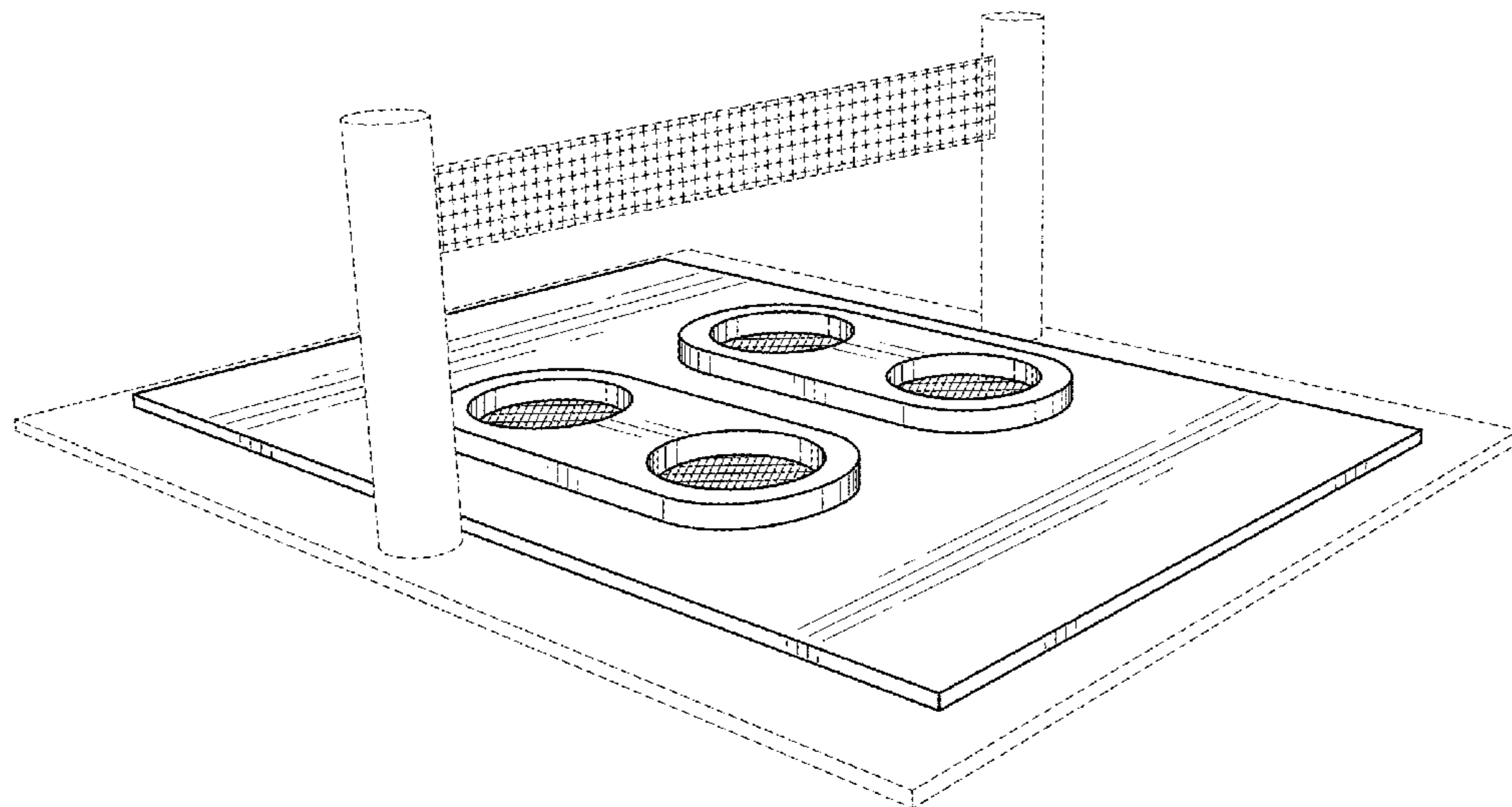
(57) **CLAIM**

The ornamental design for a volleyball-style game apparatus, as shown and described.

DESCRIPTION

FIG. 1 is a front perspective view of the volleyball-style game apparatus embodying my new design;
FIG. 2 is a front view thereof, the back view being a mirror image thereof;
FIG. 3 is a left side view thereof, the right side view being a mirror image thereof; and,
FIG. 4 is a top plan view thereof.
The broken lines disclaim the net, net posts, and perimeter feature and are included for contextual purposes, forming no part of the claimed design.

1 Claim, 4 Drawing Sheets



(58) **Field of Classification Search**

CPC A63B 63/003; A63B 63/007; A63B
 2063/001; A63B 67/00; A63B 67/002;
 A63B 67/007; A63B 67/04; A63B
 67/045; A63B 67/18; A63B 2067/005;
 A63B 69/0095; A63B 2102/16; A63B
 2243/0095; A63B 5/11

See application file for complete search history.

6,849,010 B1 * 2/2005 Valdeus, Jr. A63B 67/002
 473/469
 8,002,282 B1 * 8/2011 Koski A63B 63/083
 273/317
 D808,485 S * 1/2018 Czane D21/799.1
 D820,373 S * 6/2018 Czane D21/799.1
 2002/0010042 A1 * 1/2002 Gordon A63B 5/11
 473/490
 2010/0113190 A1 * 5/2010 Vysosias A63B 63/08
 473/481
 2010/0140873 A1 * 6/2010 Britton A63B 63/00
 273/398
 2016/0107016 A1 * 4/2016 Haggerty A63B 5/11
 482/29
 2016/0107055 A1 * 4/2016 Chen A63B 67/002
 473/472

(56) **References Cited**

U.S. PATENT DOCUMENTS

4,323,250 A * 4/1982 Lansberry A63F 7/305
 206/315.1
 4,556,218 A * 12/1985 Barron A63B 67/04
 473/475
 4,979,754 A * 12/1990 Eisenhart A63B 61/00
 206/315.1
 D363,325 S * 10/1995 Wilkinson D21/797
 5,692,980 A * 12/1997 Trotman A63B 61/00
 473/473
 6,162,061 A * 12/2000 Taylor A63B 5/11
 434/253

FOREIGN PATENT DOCUMENTS

FR 2825642 A1 * 12/2002 A01K 1/0157
 WO WO-9417868 A1 * 8/1994 A63B 67/04
 WO WO-2004067880 A2 * 8/2004 A63B 5/11

* cited by examiner

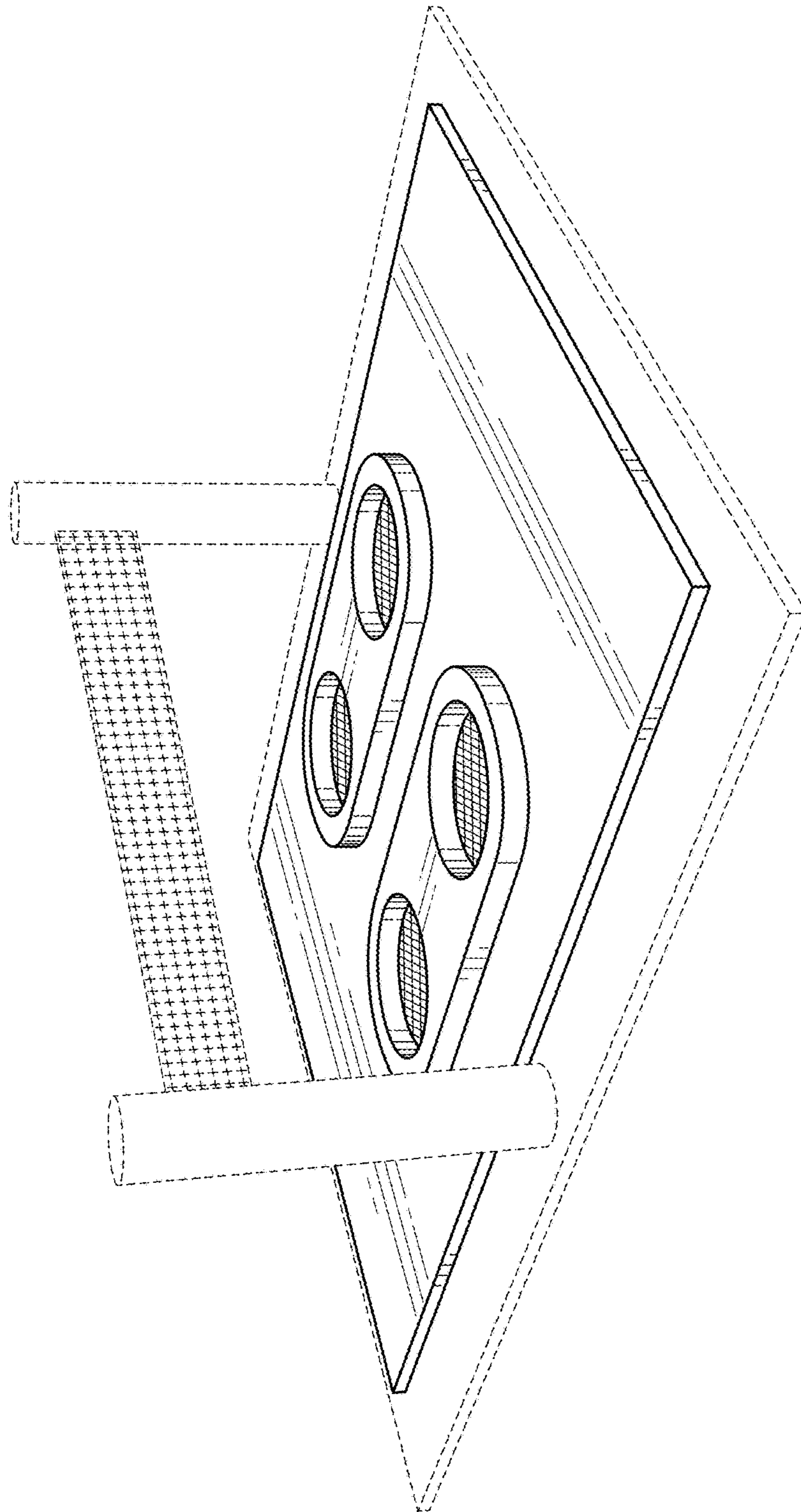


FIG. 1

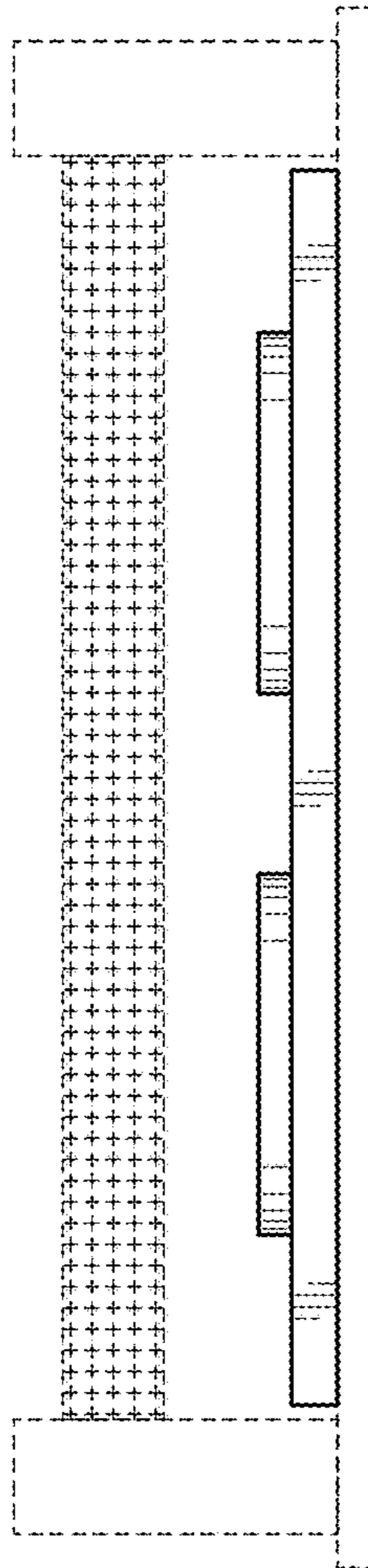


FIG. 2

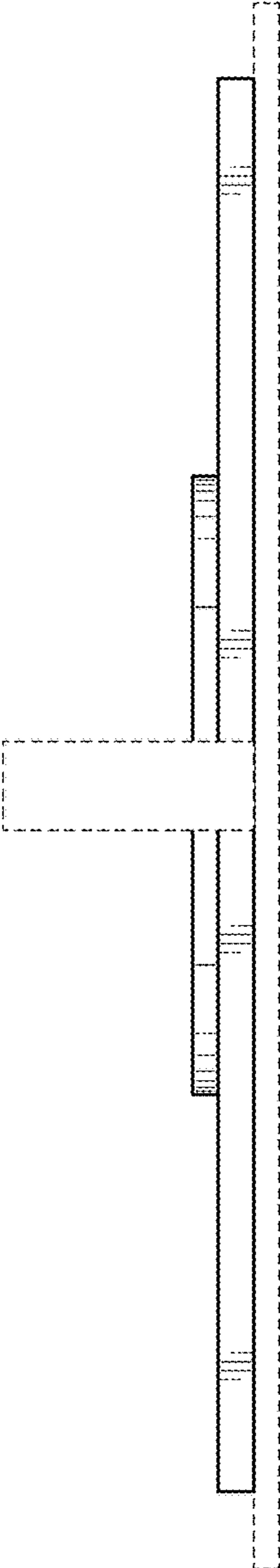


FIG. 3

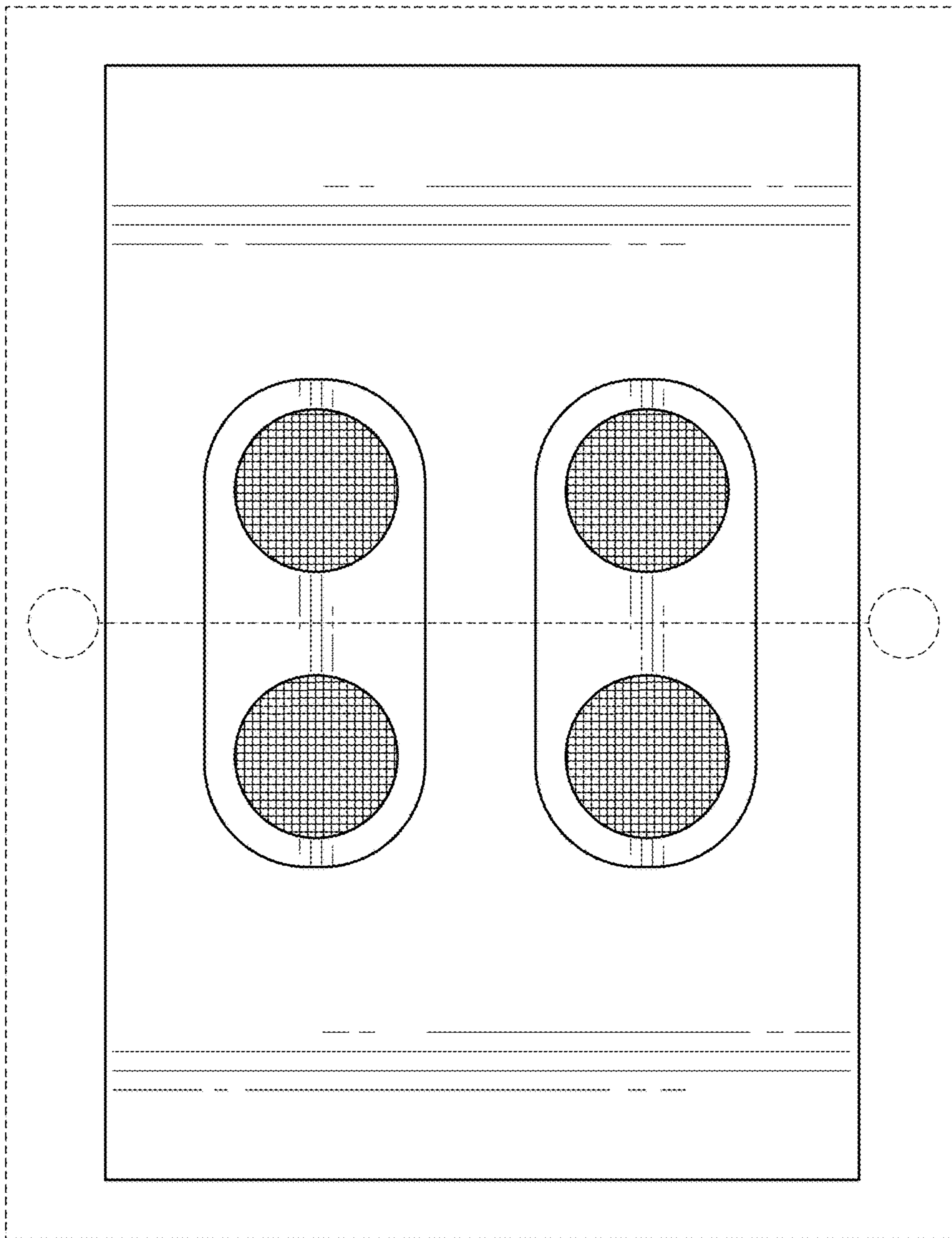


FIG. 4