

US00D839978S

(12) **United States Design Patent**  
**Piper**

(10) **Patent No.:** **US D839,978 S**

(45) **Date of Patent:** **\*\* Feb. 5, 2019**

(54) **INLINE WHEEL**

(71) Applicant: **Aend Industries**, Huntington Beach, CA (US)

(72) Inventor: **Neal Piper**, Huntington Beach, CA (US)

(73) Assignee: **Aend Industries**, Huntington Beach, CA (US)

(\*\*) Term: **15 Years**

(21) Appl. No.: **29/604,483**

(22) Filed: **May 17, 2017**

(51) **LOC (11) Cl.** ..... **21-02**

(52) **U.S. Cl.**  
USPC ..... **D21/779**

(58) **Field of Classification Search**  
USPC ..... D21/563, 761, 762, 763, 765, 771, 779;  
D12/204-213; D3/318; 280/11.19,  
280/11.215, 11.221-11.26, 11.28, 11.32,  
280/87.042, 809, 816; 301/5.1, 5.7,  
301/5.301-5.309

CPC ..... A63C 17/00; A63C 17/01; A63C 17/04;  
A63C 17/06; A63C 17/22; A63C 17/18  
See application file for complete search history.

(56) **References Cited**

U.S. PATENT DOCUMENTS

D301,157 S \* 5/1989 Hess ..... D21/423  
D433,088 S \* 10/2000 Galy ..... D21/779

D448,826 S \* 10/2001 Galy ..... D21/779  
D466,962 S \* 12/2002 Chen ..... D21/779  
D480,436 S \* 10/2003 Hong ..... D21/423  
D721,150 S \* 1/2015 Piper ..... D21/779  
D721,151 S \* 1/2015 Piper ..... D21/779  
D732,622 S \* 6/2015 Piper ..... D21/779

\* cited by examiner

*Primary Examiner* — Cynthia M. Chin

(74) *Attorney, Agent, or Firm* — Rutan & Tucker, LLP;  
Hani Z. Sayed

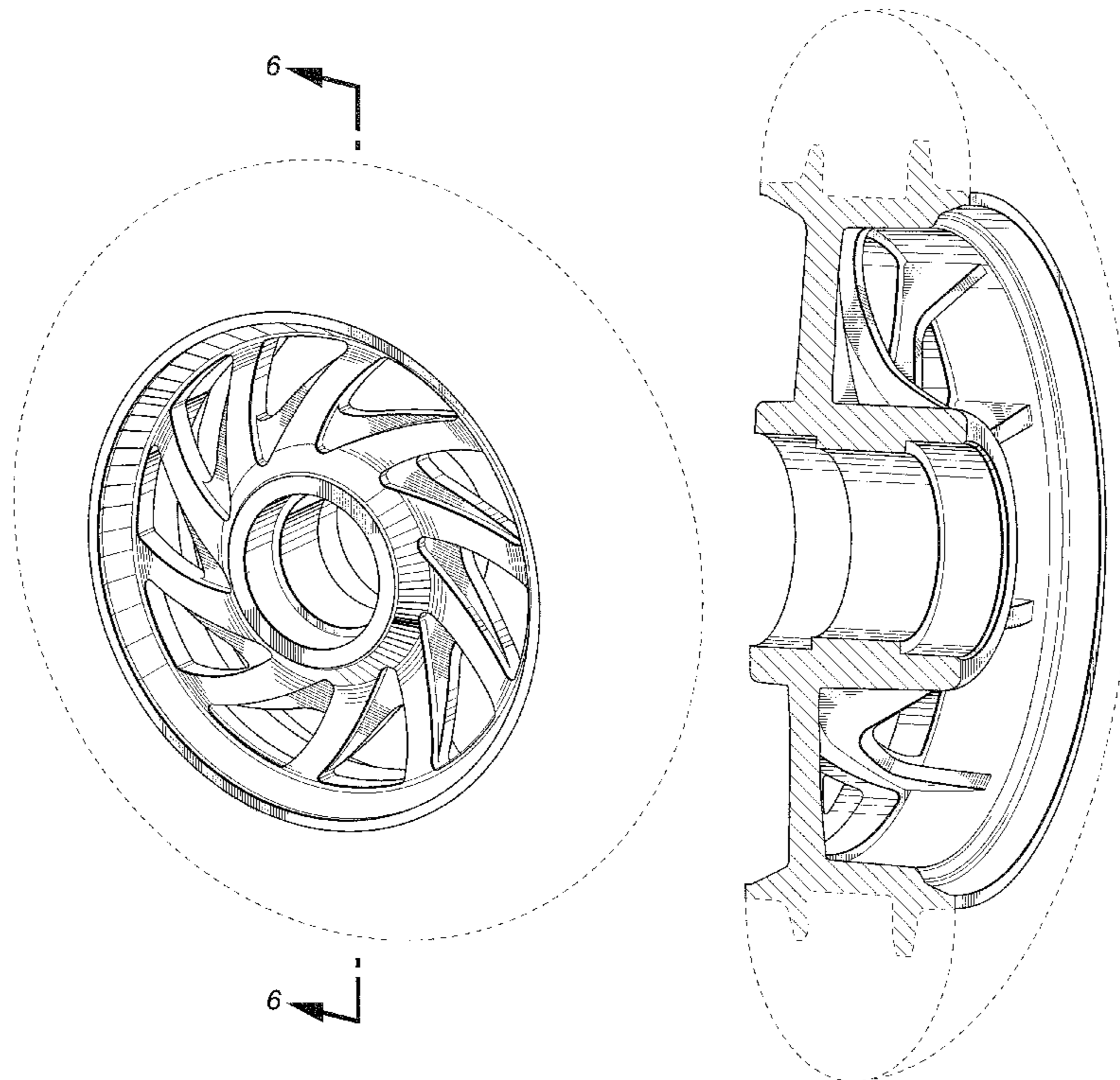
(57) **CLAIM**

The ornamental design for an inline wheel, as shown and described.

**DESCRIPTION**

FIG. 1—Front, top, right side perspective view of the present invention;  
FIG. 2—Rear, top, left side perspective view;  
FIG. 3—Front elevation view;  
FIG. 4—Rear elevation view;  
FIG. 5—Top plane view; and,  
FIG. 6—Cross-section view taken from line 6-6 in FIG. 1. The broken lines are for the purpose of illustrating portions of the article that form no part of the claim.

**1 Claim, 5 Drawing Sheets**



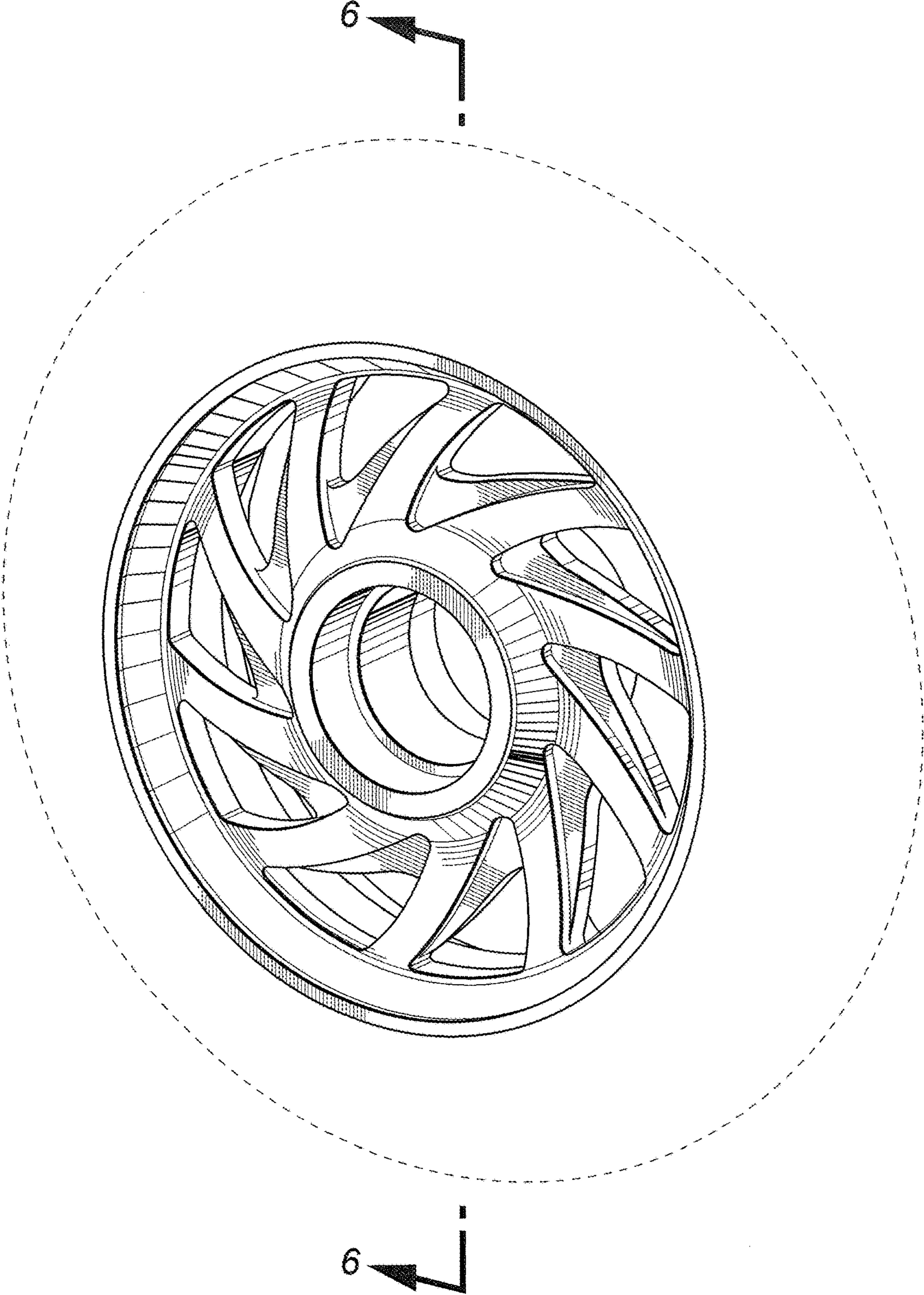


FIG. 1

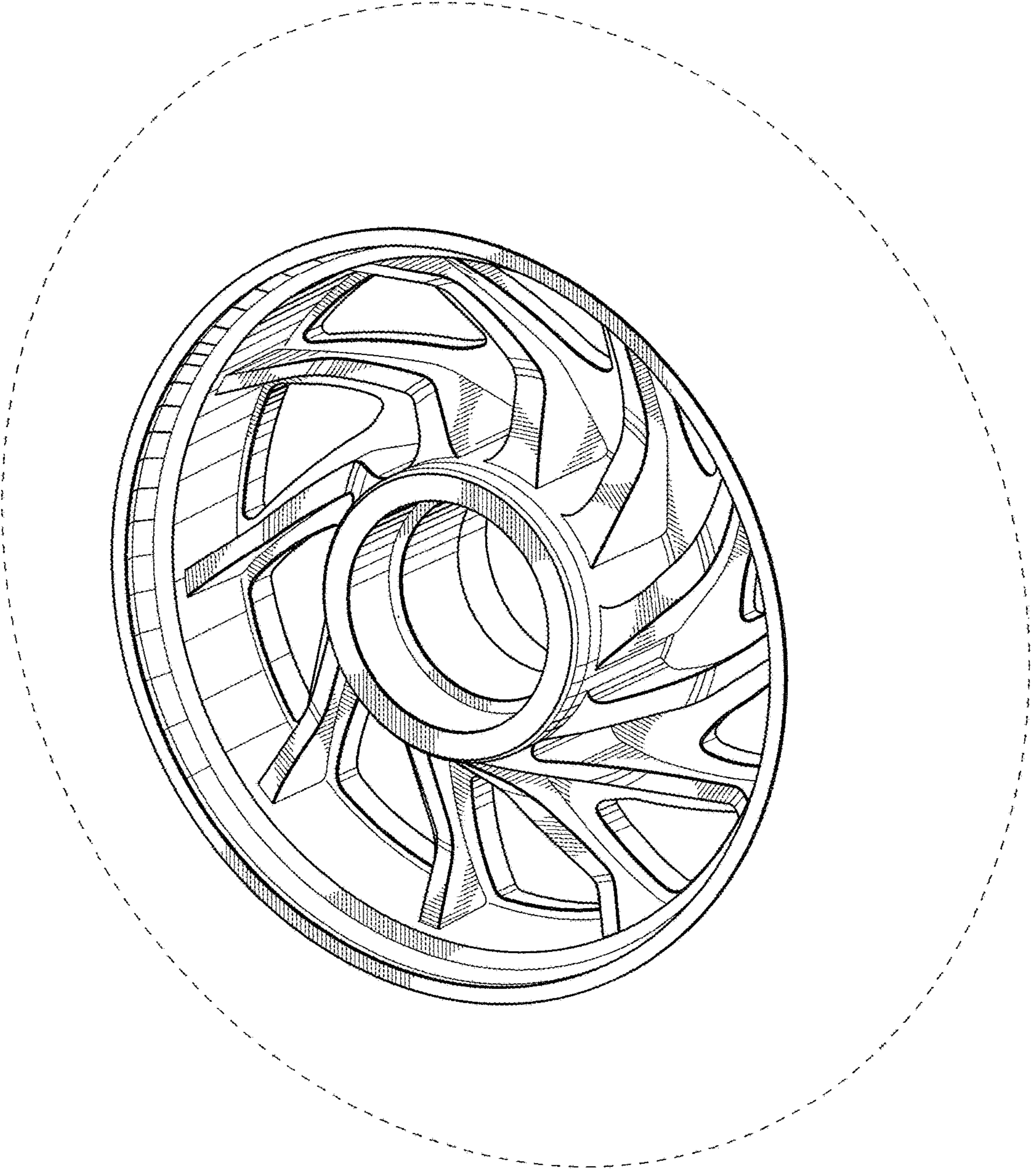


FIG. 2



FIG. 3

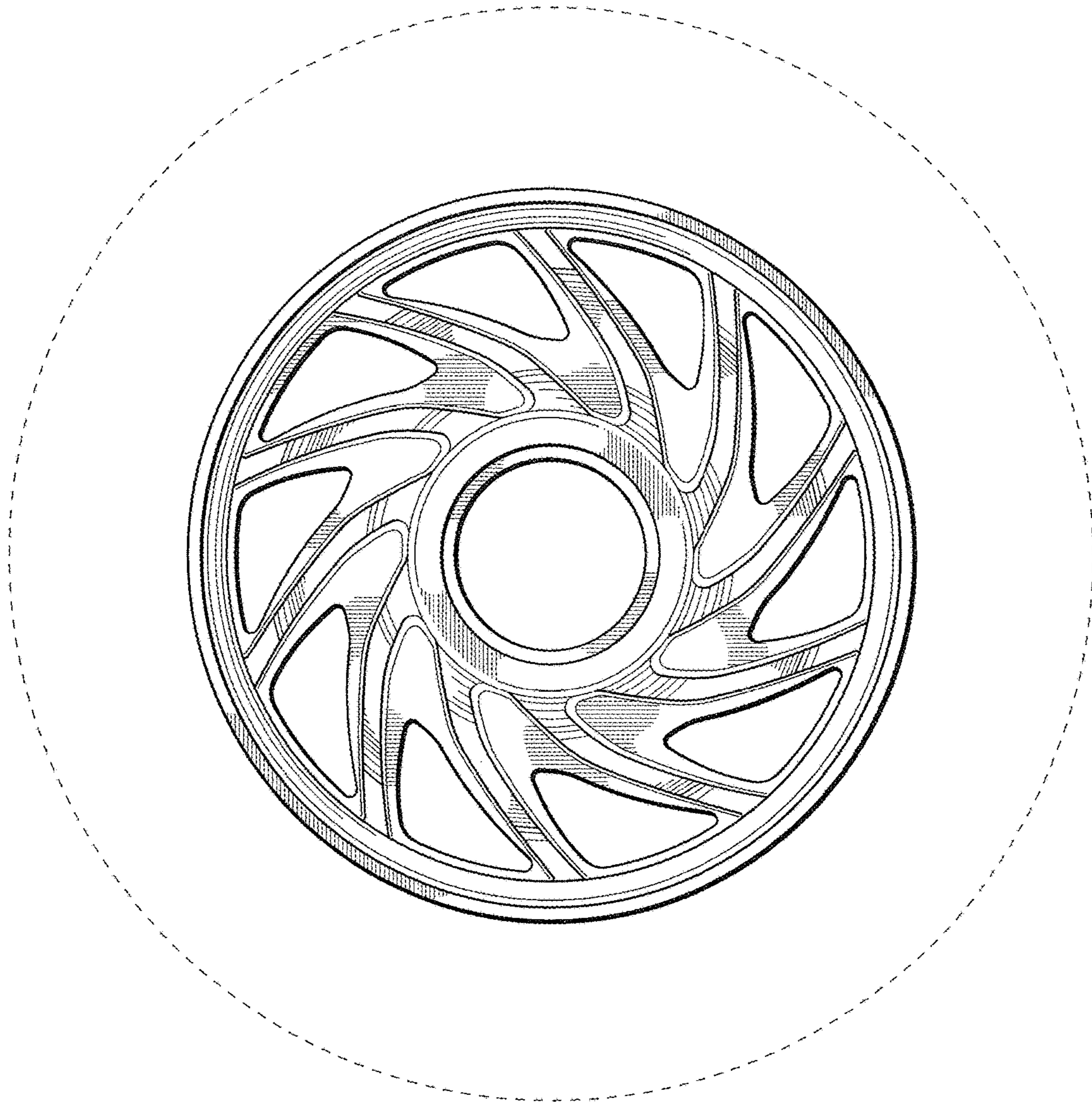


FIG. 4

FIG. 5



FIG. 6

