



US00D839977S

(12) **United States Design Patent**
Rollinson et al.

(10) **Patent No.:** **US D839,977 S**

(45) **Date of Patent:** **** Feb. 5, 2019**

(54) **GOLF CLUB HEAD FACE INSERT**

(71) Applicant: **Callaway Golf Company**, Carlsbad,
CA (US)

(72) Inventors: **Augustin W. Rollinson**, Solana Beach,
CA (US); **Patrick Dawson**, San Diego,
CA (US)

(73) Assignee: **Callaway Golf Company**, Carlsbad,
CA (US)

(**) Term: **15 Years**

(21) Appl. No.: **29/621,358**

(22) Filed: **Oct. 6, 2017**

(51) **LOC (11) Cl.** **21-02**

(52) **U.S. Cl.**
USPC **D21/759**

(58) **Field of Classification Search**
USPC D21/736-746, 759
CPC A63B 53/00; A63B 53/04; A63B 53/007;
A63B 53/065; A63B 53/0487; A63B
60/00; A63B 60/46
See application file for complete search history.

(56) **References Cited**

U.S. PATENT DOCUMENTS

D122,795 S *	10/1940	Geerlings	D21/750
D356,131 S *	3/1995	Trimble	D21/739
D364,665 S *	11/1995	Goodrich	D21/733
D444,835 S *	7/2001	Wahl	D21/759
D458,331 S *	6/2002	Wahl	D21/759
D465,002 S *	10/2002	Long	D21/759
D478,142 S *	8/2003	Toulon	D21/759
D500,823 S *	1/2005	Aldrich	D21/759
6,929,564 B2 *	8/2005	Olsavsky	A63B 53/0487 473/340
D530,764 S *	10/2006	Frame	D21/759
D537,898 S *	3/2007	Kuan	D21/759

D548,299 S *	8/2007	Nguyen	D21/759
D549,795 S *	8/2007	Rollinson	D21/759
D552,699 S *	10/2007	Rollinson	D21/759
D552,700 S *	10/2007	Rollinson	D21/759
D553,702 S *	10/2007	Frame	D21/759
D572,786 S *	7/2008	Ban	D21/759
D576,698 S *	9/2008	Cameron	D21/759
D588,221 S *	3/2009	Takahashi	D21/759
D588,222 S *	3/2009	Takahashi	D21/759
D588,665 S *	3/2009	Takahashi	D21/759
D588,666 S *	3/2009	Takahashi	D21/759
D591,814 S *	5/2009	Bettinardi	D21/759
D594,921 S *	6/2009	Bettinardi	D21/759
D605,242 S *	12/2009	Franklin	D21/759
D639,369 S *	6/2011	Miyamichi	D21/759
8,216,081 B2 *	7/2012	Snyder	A63B 53/04 473/251
D672,418 S *	12/2012	Rollinson	D21/759
8,506,415 B2 *	8/2013	Franklin	A63B 53/0487 473/251
8,684,860 B2 *	4/2014	Rollinson	A63B 53/007 473/329

(Continued)

Primary Examiner — Mitchell I. Siegel

(74) *Attorney, Agent, or Firm* — Rebecca Hanovice;
Michael Catania; Sonia Lari

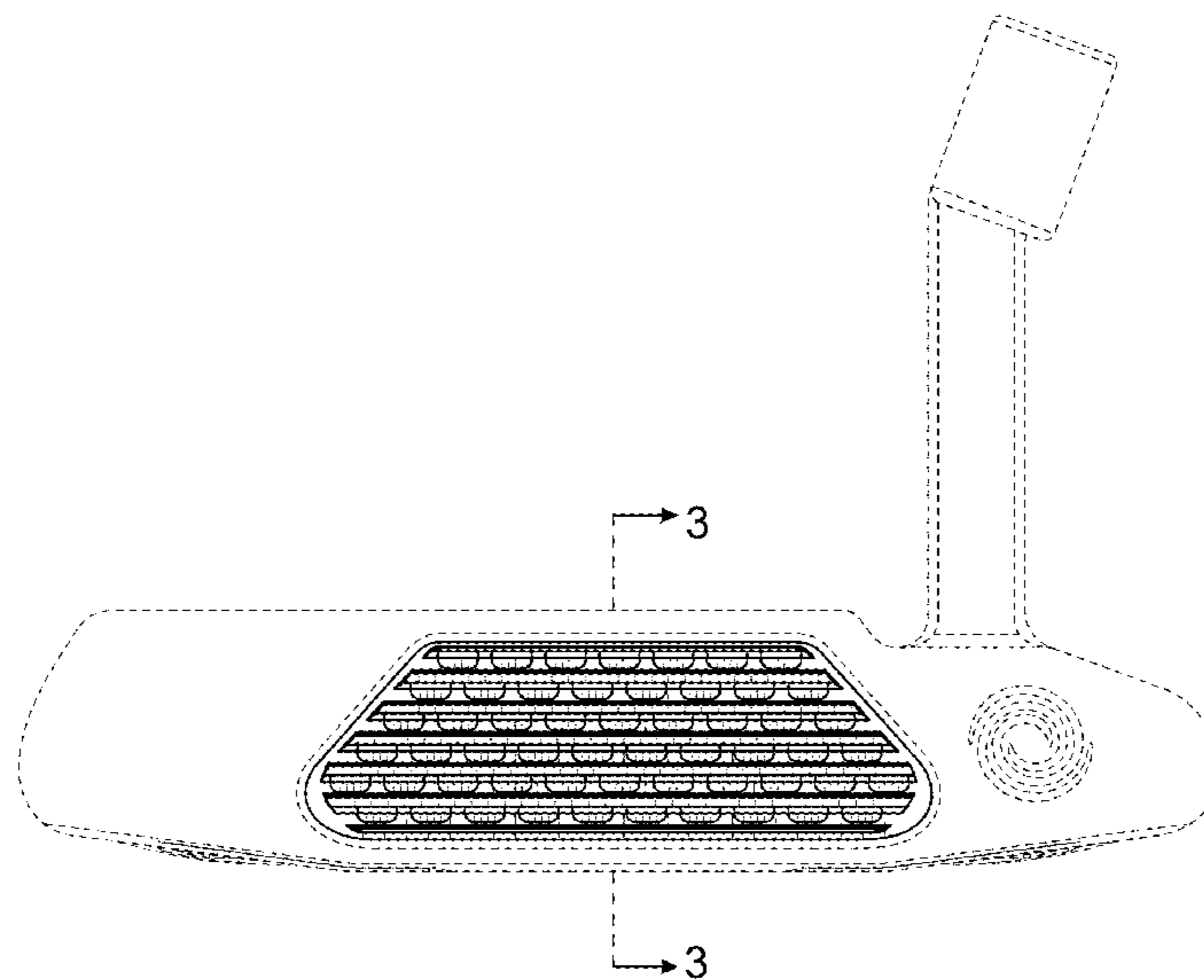
(57) **CLAIM**

The ornamental design for a golf club head face insert, as shown and described.

DESCRIPTION

FIG. 1 is a front elevational view of the golf club head face insert claimed herein; FIG. 2 is a top plan view thereof; and, FIG. 3 is a cross-sectional view of the golf club head face insert shown in FIG. 1 along lines 3-3. The broken showing of portions of the putter head is included for the purpose of illustrating unclaimed subject matter and forms no part of the claimed design.

1 Claim, 2 Drawing Sheets



(56)

References Cited

U.S. PATENT DOCUMENTS

D704,287 S *	5/2014	Tang	D21/742
D800,857 S *	10/2017	Abbott	D21/759
D802,073 S *	11/2017	Toulon	D21/759
9,981,161 B2 *	5/2018	Abbott	A63B 53/04
2005/0130764 A1 *	6/2005	Frame	A63B 53/0487 473/340

* cited by examiner

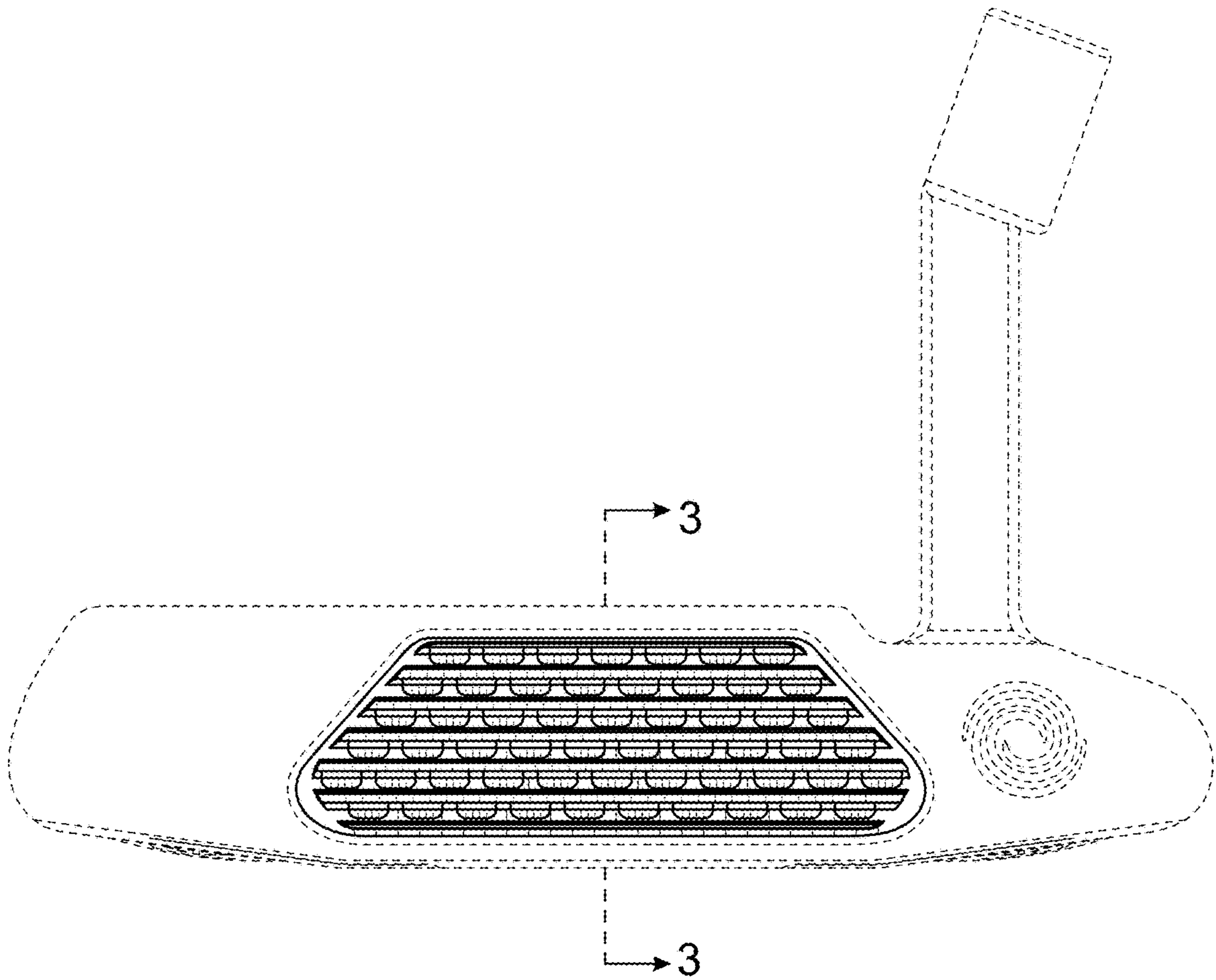


FIG. 1

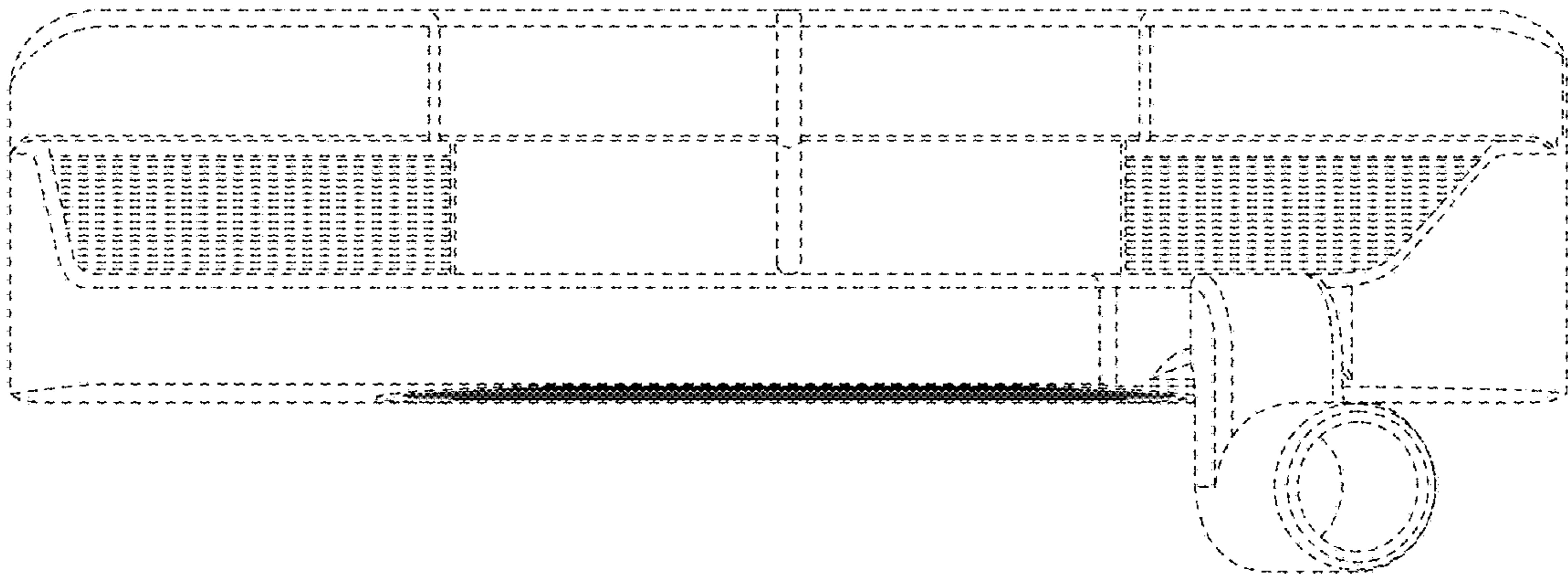


FIG. 2

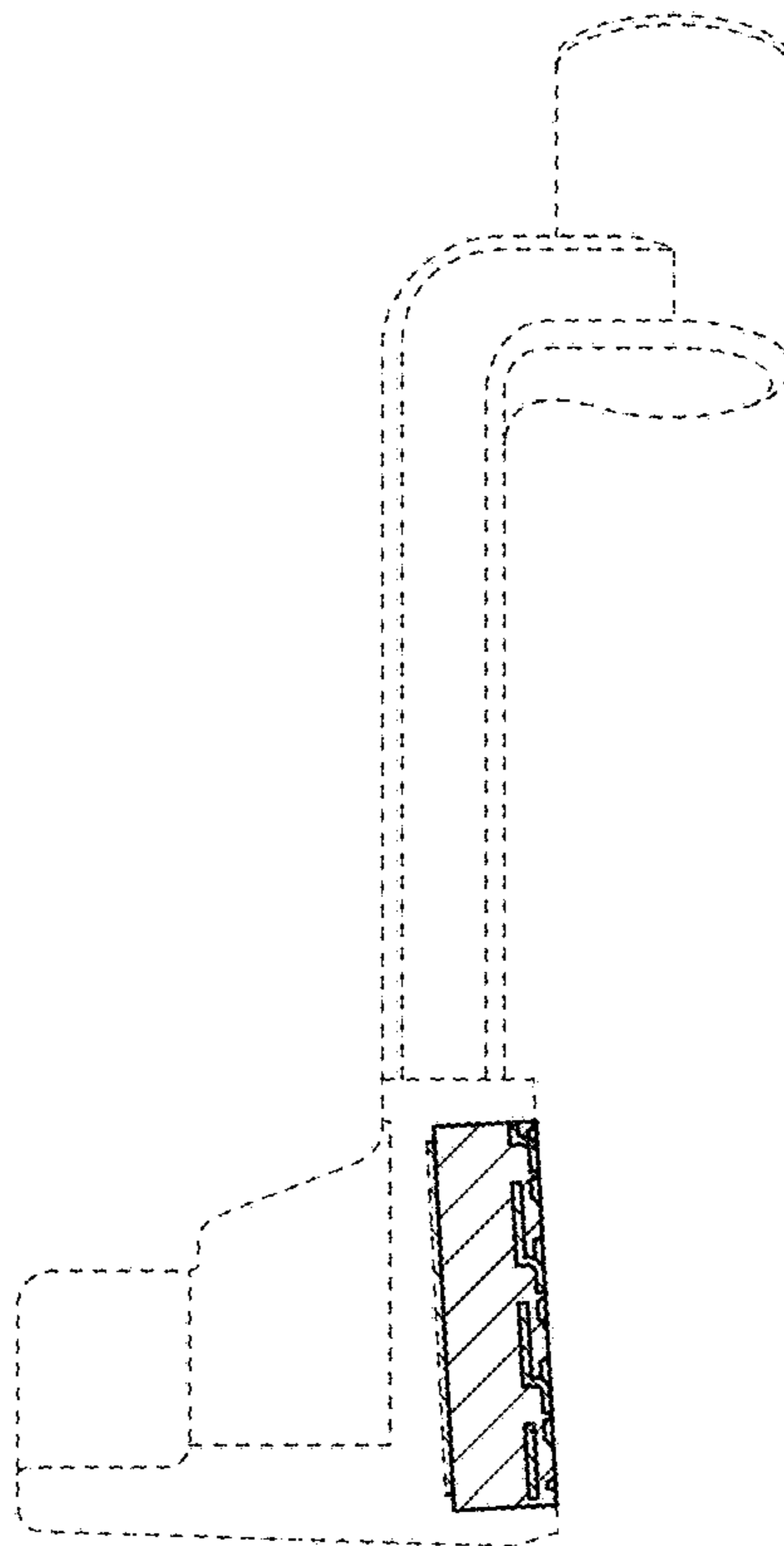


FIG. 3