



US00D839976S

(12) **United States Design Patent** (10) **Patent No.:** **US D839,976 S**
Legoski (45) **Date of Patent:** **** Feb. 5, 2019**

- (54) **PROJECTILE LAUNCHING DEVICE**
- (71) Applicant: **THROW GOLF, LLC**, Eureka, CA (US)
- (72) Inventor: **Patrick Legoski**, Ukiah, CA (US)
- (73) Assignee: **Throw Golf, LLC**, Ukiah, CA (US)
- (**) Term: **15 Years**
- (21) Appl. No.: **29/617,600**
- (22) Filed: **Sep. 14, 2017**
- (51) **LOC (11) Cl.** **21-02**
- (52) **U.S. Cl.**
USPC **D21/722**
- (58) **Field of Classification Search**
USPC D21/722, 724, 759, 789, 791; D30/160
CPC A63B 60/00; A63B 60/46; A63B 59/30;
A63B 59/20; A63B 65/00–65/127
See application file for complete search history.

- D655,359 S * 3/2012 Thorogood D21/722
- D666,686 S * 9/2012 Burger D21/722
- D674,851 S * 1/2013 Osborne D21/722
- D759,907 S * 6/2016 Weinstein D30/160
- D763,984 S * 8/2016 Cruz D21/722
- D782,588 S * 3/2017 Fryer D21/722
- D806,191 S * 12/2017 Cruz D21/753

* cited by examiner

Primary Examiner — Mitchell I. Siegel

(74) *Attorney, Agent, or Firm* — Craig M. Stainbrook;
Stainbrook & Stainbrook, LLP

(57) **CLAIM**

The ornamental design for a projectile launching device, as shown and described.

DESCRIPTION

FIG. 1 is an upper front right perspective view of the projectile launching device shown with a golf ball (in phantom) poised for capture or immediately after release, as installed on a shaft (also shown in phantom);

FIG. 2 is an upper front left perspective view of the projectile launching device;

FIG. 3 is a front view in elevation thereof;

FIG. 4 is a left side view in elevation thereof;

FIG. 5 is a rear view in elevation thereof;

FIG. 6 is a bottom plan view thereof;

FIG. 7 is a top plan view thereof;

FIG. 8 is a cross-sectional right side view in elevation, taken along section line 8-8 of FIG. 3;

FIG. 9 is a cross-sectional bottom view taken along section line 9-9 of FIG. 5; and,

FIG. 10 is a cross-sectional bottom view taken along section line 10-10 of FIG. 5.

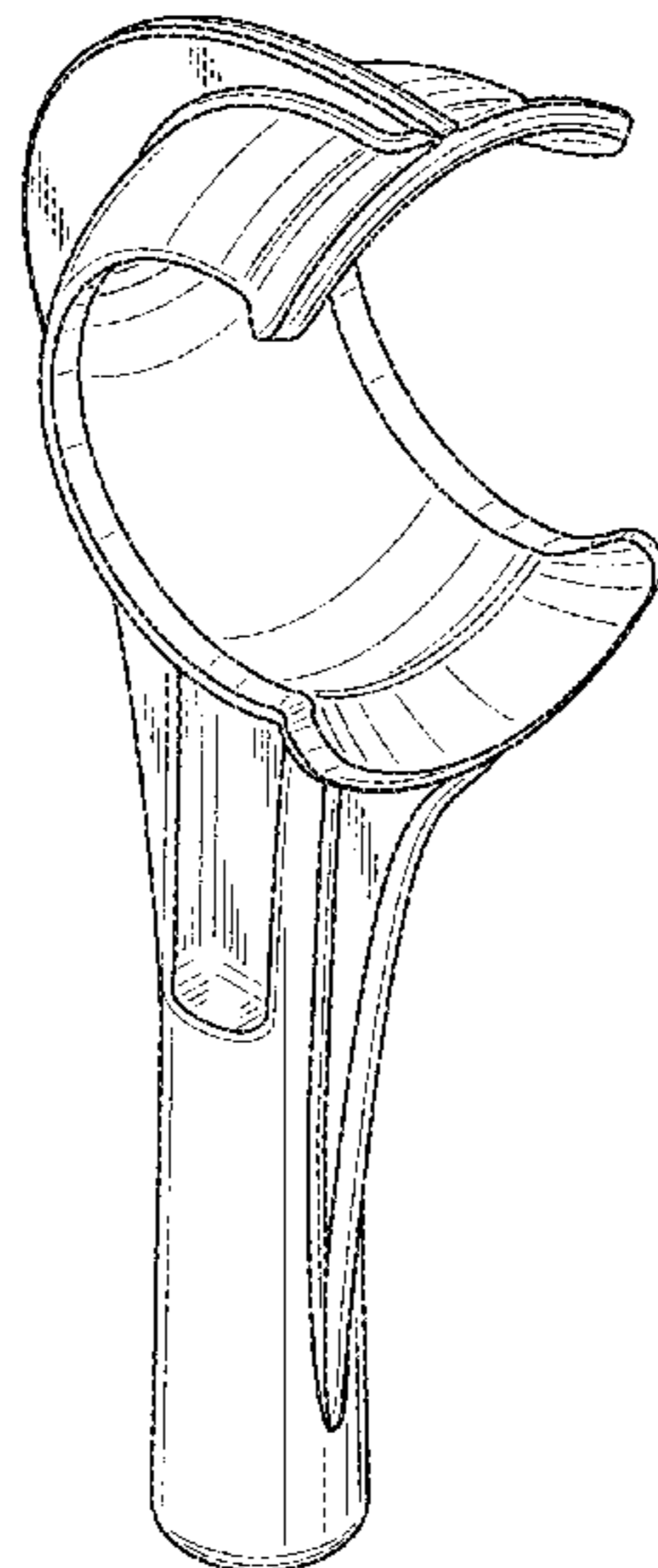
The broken lines shown in the drawings are included for purposes of illustrating environmental structures only and form no part of the claimed design.

1 Claim, 4 Drawing Sheets

(56) **References Cited**

U.S. PATENT DOCUMENTS

- 3,428,036 A * 2/1969 Parker A63B 60/08
124/5
- 3,589,349 A * 6/1971 Parker A63B 60/08
124/5
- D424,640 S * 5/2000 Oblack D21/722
- 6,076,829 A * 6/2000 Oblack A63B 60/34
273/317
- 6,477,745 B2 * 11/2002 Strebl A63B 60/12
24/3.12
- D484,938 S * 1/2004 Tu D21/789
- D554,717 S * 11/2007 McKinnell D21/722
- 7,686,001 B2 * 3/2010 Fitt A63B 59/20
124/5
- D630,277 S * 1/2011 McKinnell D21/722
- D637,248 S * 5/2011 Levin D21/722
- D640,338 S * 6/2011 Oblack D21/722



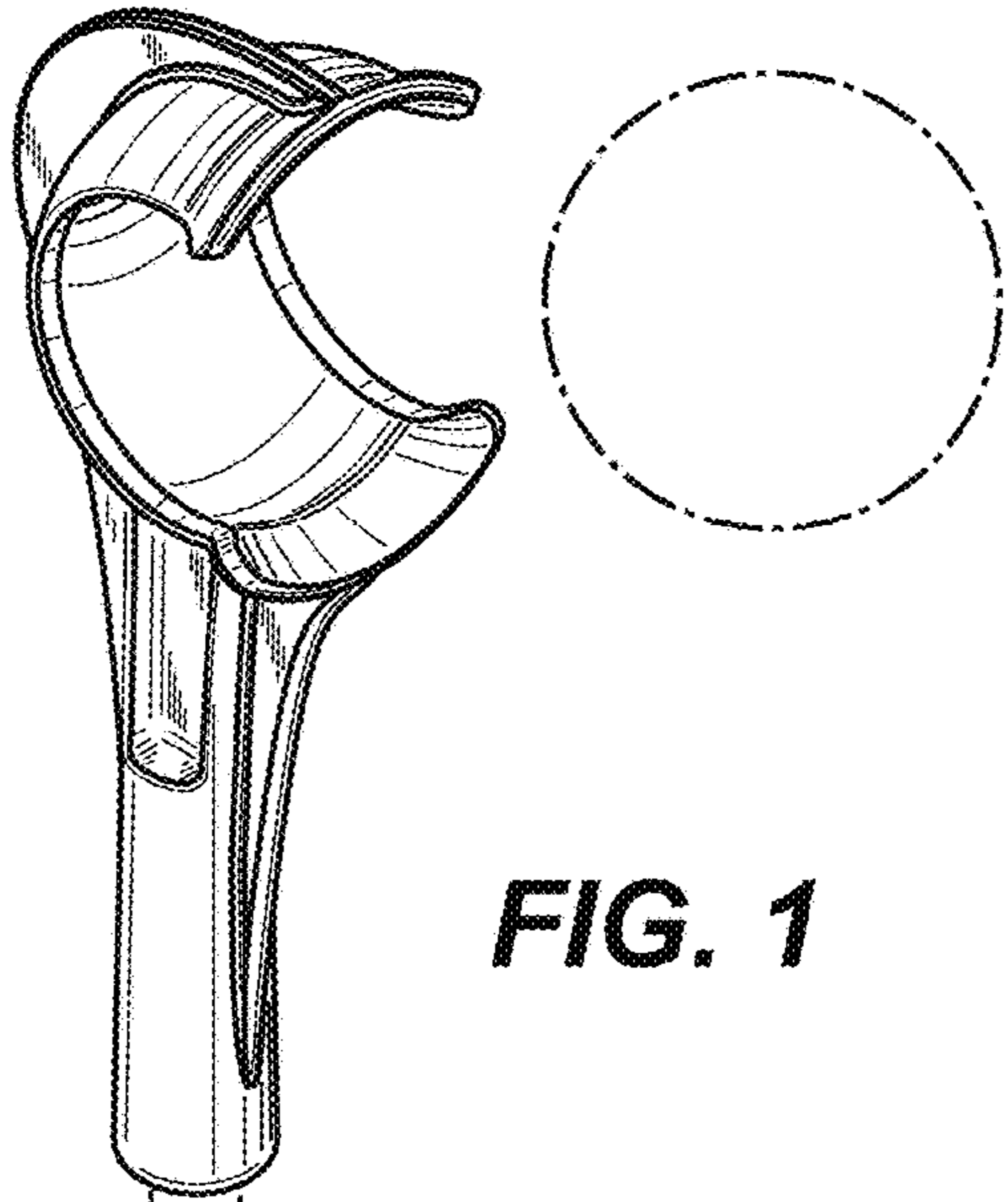


FIG. 1

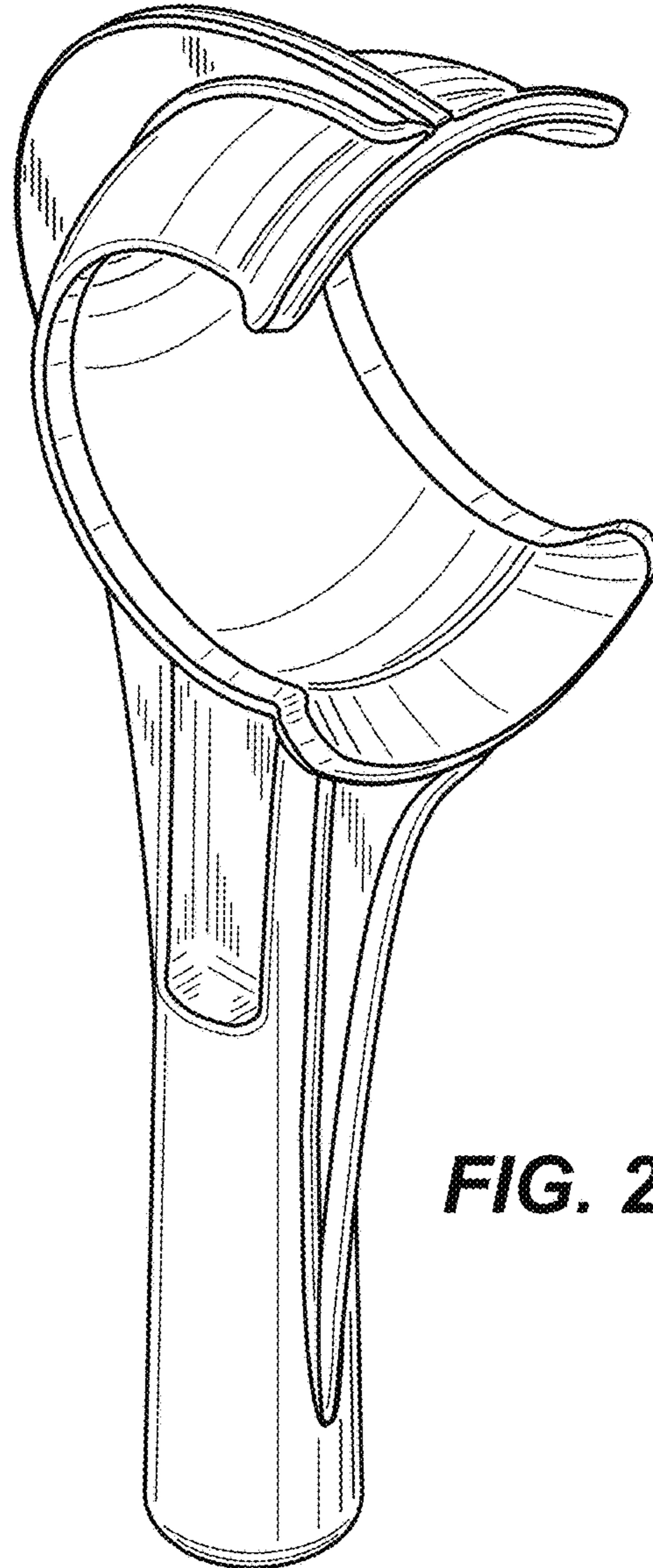


FIG. 2

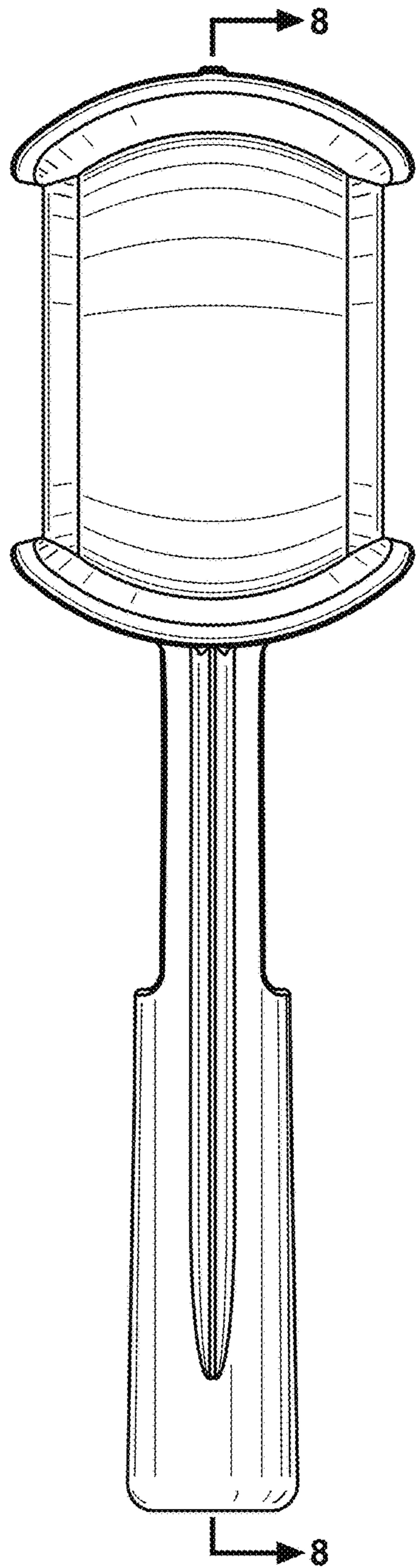


FIG. 3

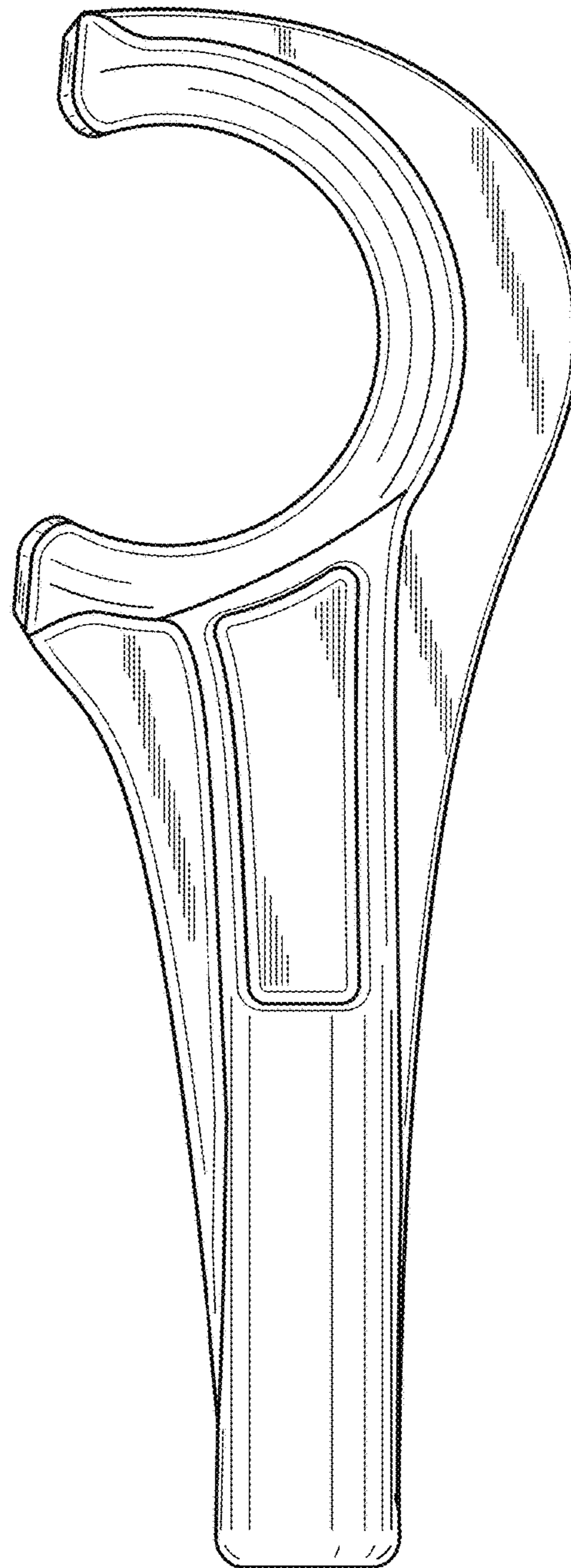


FIG. 4

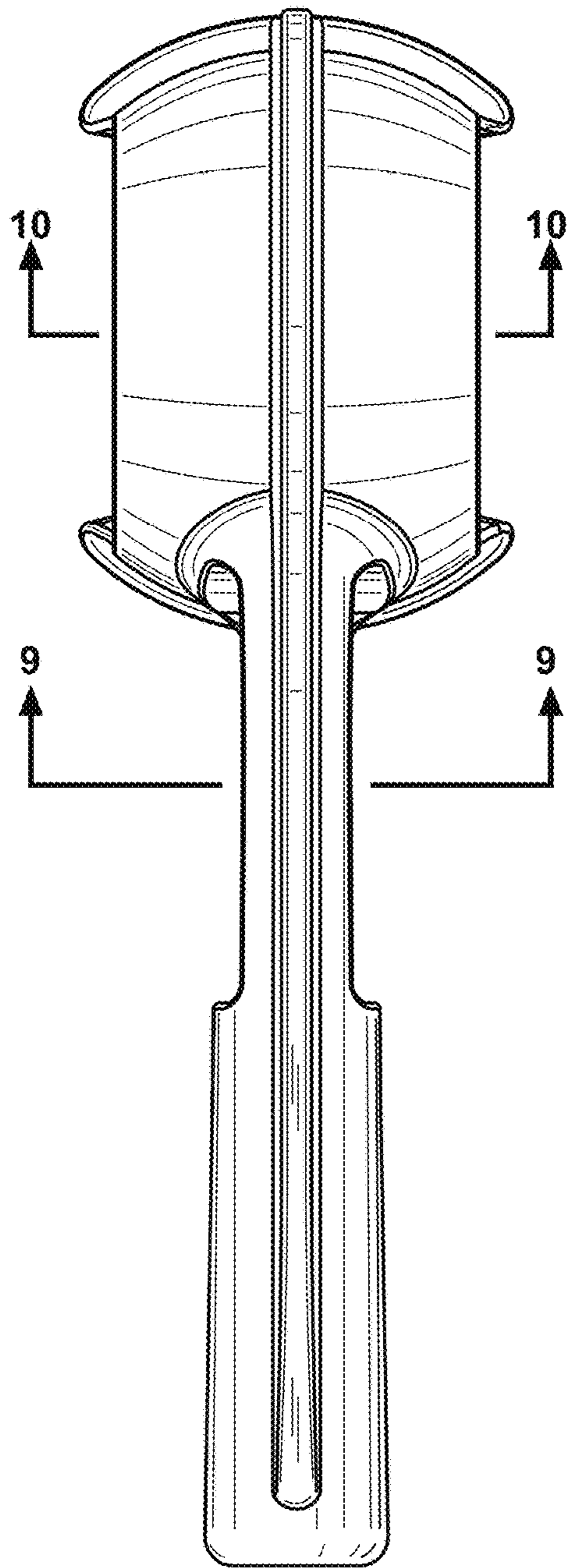


FIG. 5

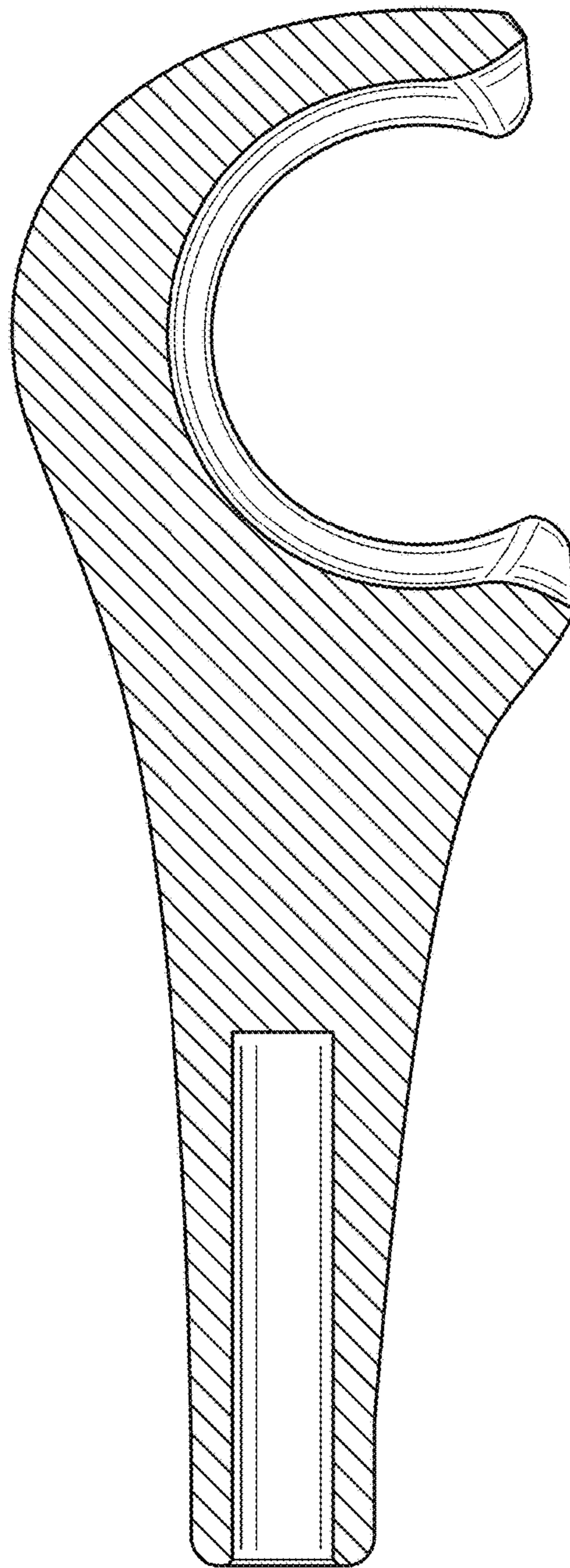


FIG. 8

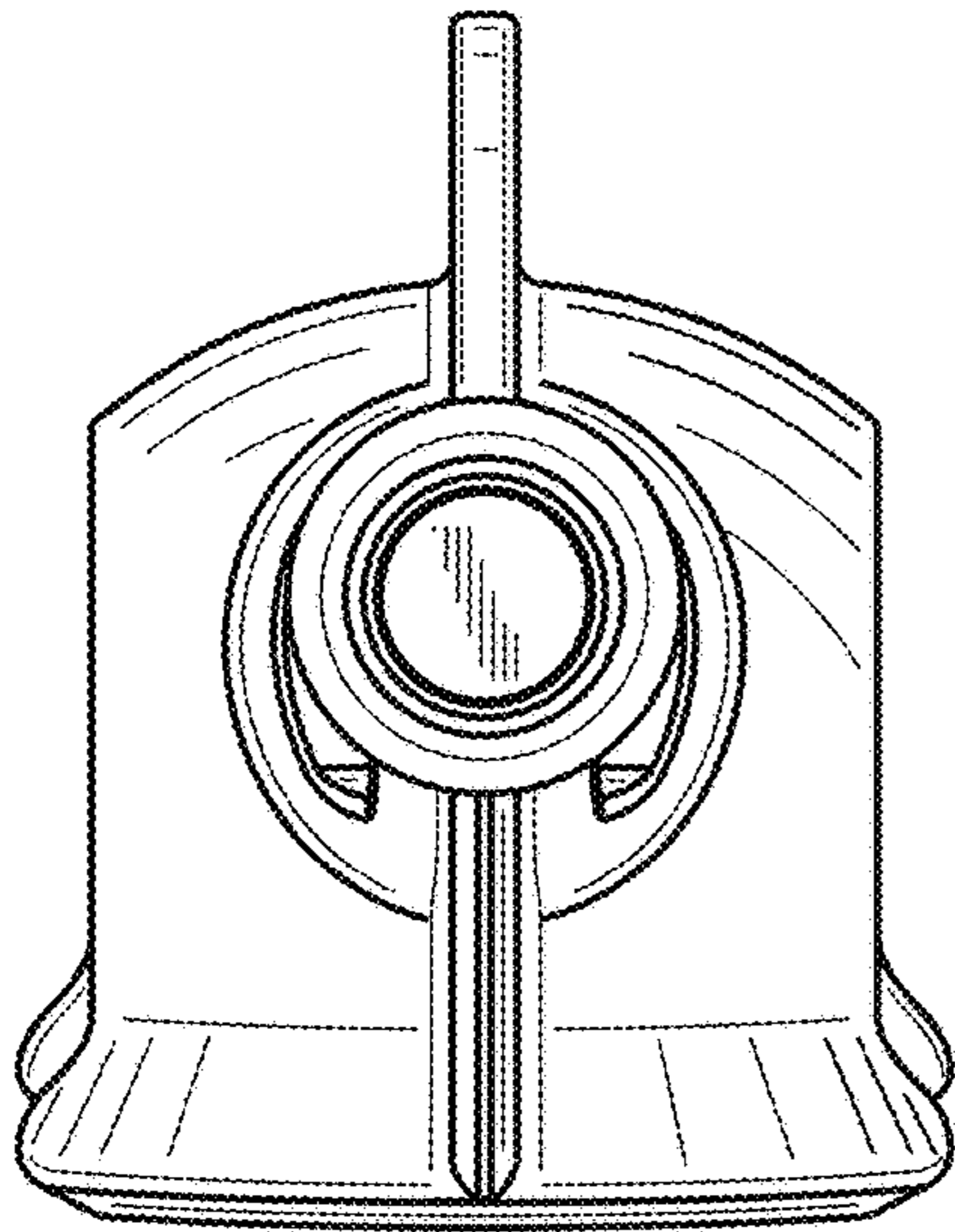


FIG. 6

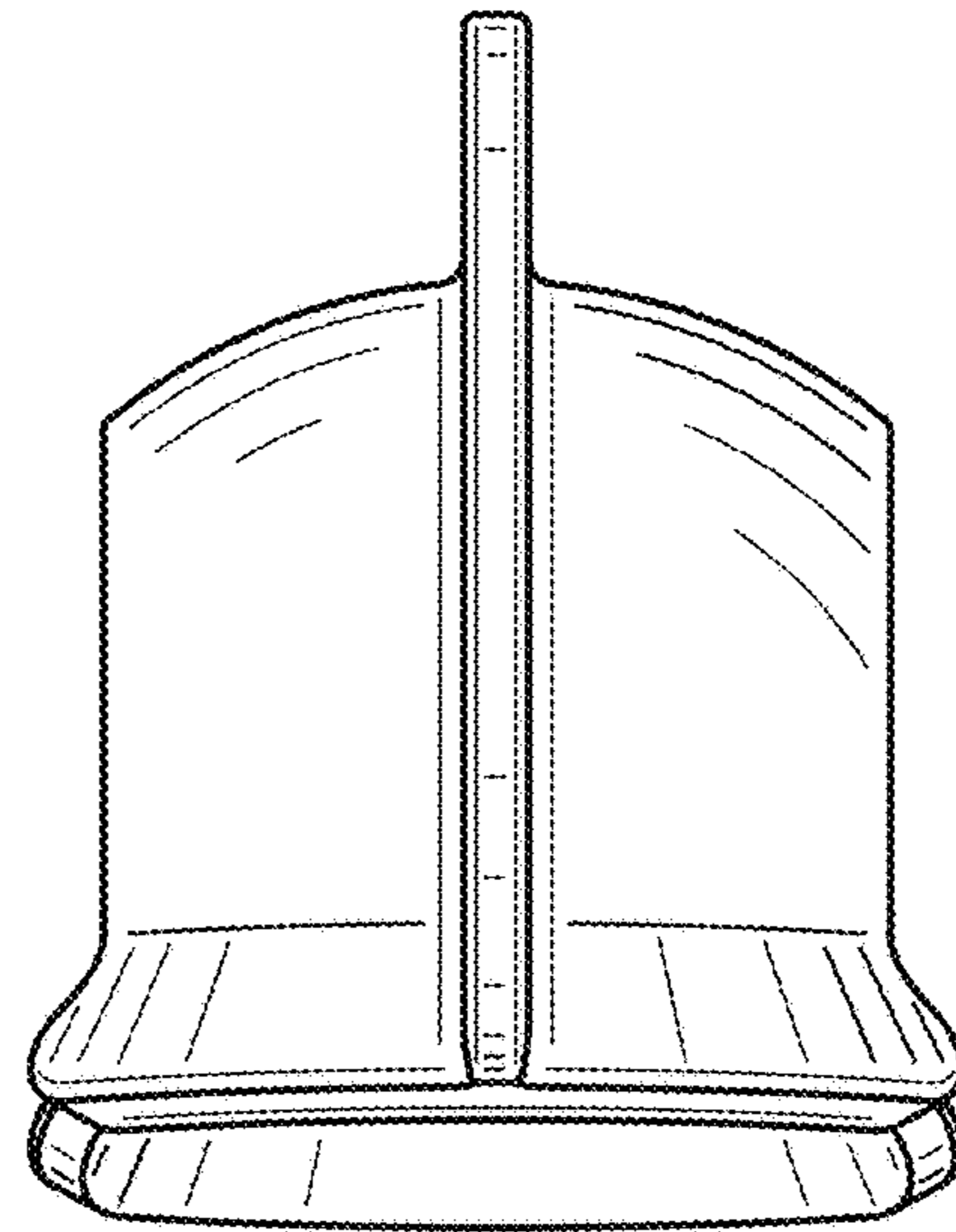


FIG. 7

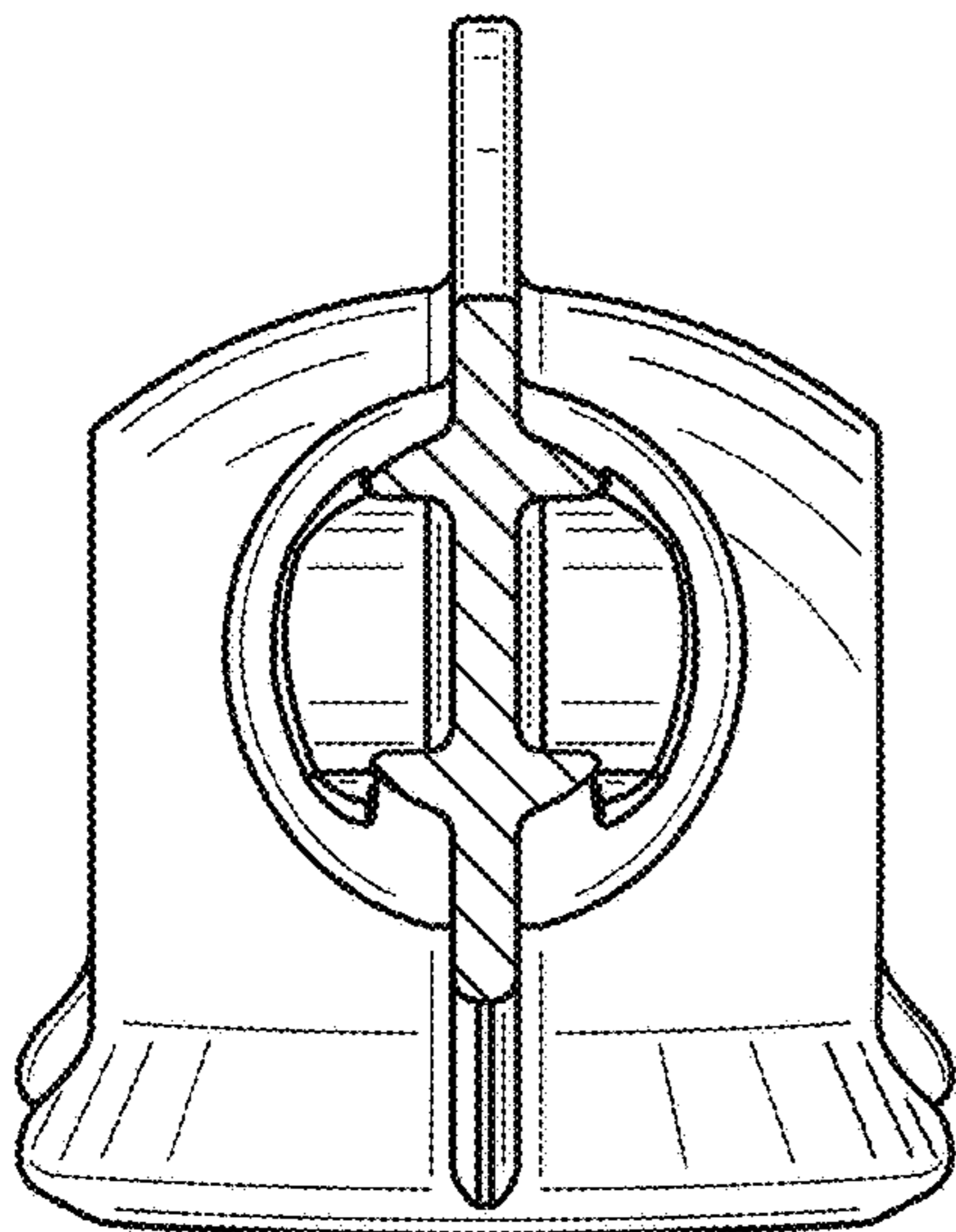


FIG. 9

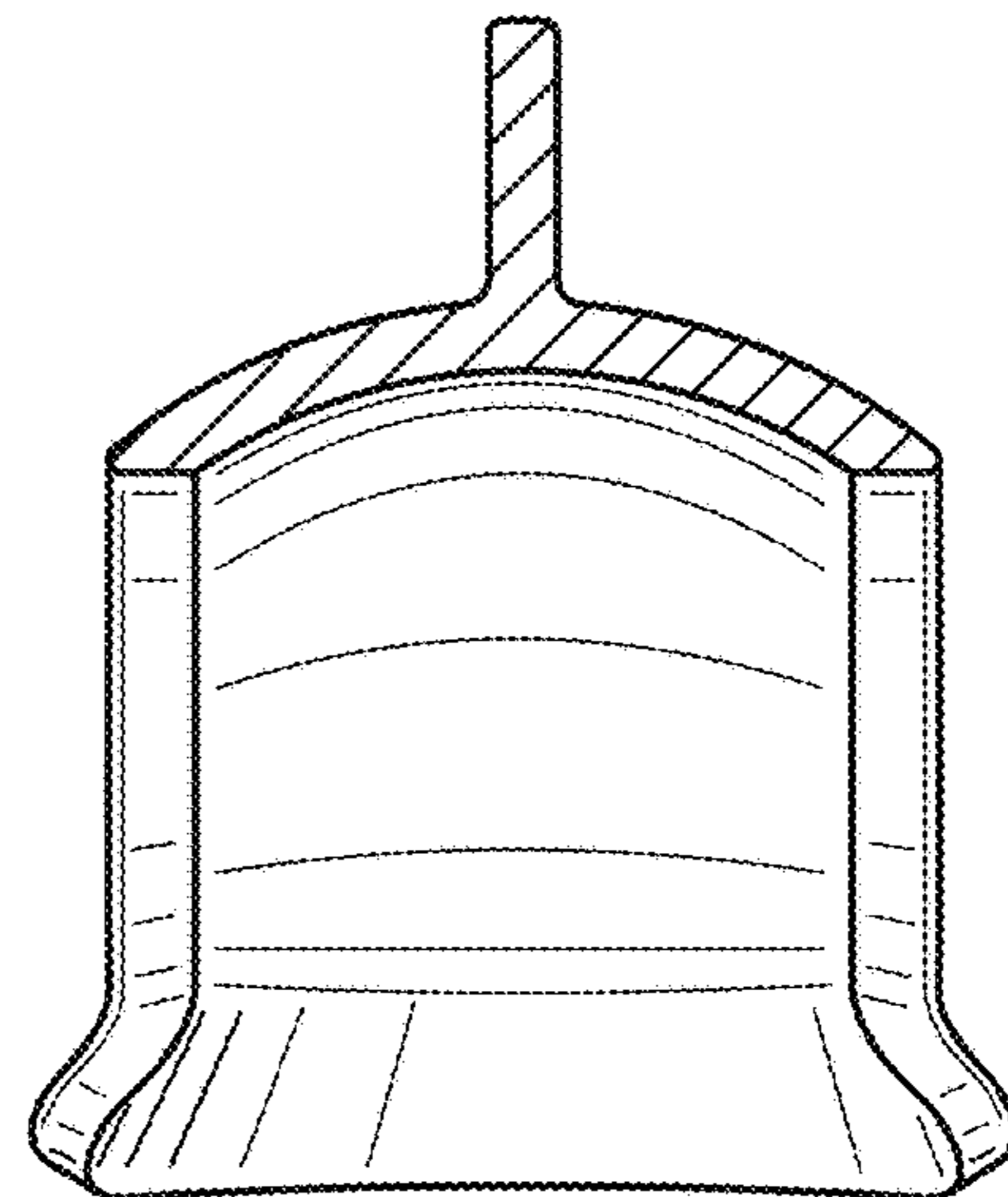


FIG. 10