

US00D839973S

(12) **United States Design Patent**
Hochstrasser

(10) **Patent No.:** **US D839,973 S**

(45) **Date of Patent:** **** Feb. 5, 2019**

- (54) **TOY**
- (71) Applicant: **Alex Hochstrasser**, Zurich (CH)
- (72) Inventor: **Alex Hochstrasser**, Zurich (CH)
- (**) Term: **15 Years**
- (21) Appl. No.: **29/596,998**
- (22) Filed: **Mar. 13, 2017**

Related U.S. Application Data

- (63) Continuation-in-part of application No. 29/533,182, filed on Jul. 15, 2015, now Pat. No. Des. 786,366.

Foreign Application Priority Data

- (30) Jan. 15, 2015 (WO) DM/085465

- (51) **LOC (11) Cl.** **21-01**

- (52) **U.S. Cl.**
USPC **D21/661**; D21/610; D21/398

- (58) **Field of Classification Search**
USPC D6/598; D11/154, 158, 159, 162;
D21/398, 576–596, 610, 658–661;
446/73, 97, 368–369, 376; 180/8.6;
D30/160; D7/514–517, 595, 623, 625;
D9/519, 607

CPC ... A63H 3/00; A63H 3/02; A63H 3/04; A63H 3/16; A63H 3/20; A63H 3/36; A63H 33/00; A63H 7/00; A63H 11/00

See application file for complete search history.

- (56) **References Cited**

U.S. PATENT DOCUMENTS

D49,777 S * 10/1916 Kindt D11/154
D136,262 S * 8/1943 Oehrle D21/610

D166,395 S * 4/1952 Hollis D21/610
D240,829 S * 8/1976 Jones et al. D23/369
4,164,092 A * 8/1979 Goldfarb A63H 3/36
446/197
D259,033 S * 4/1981 Haren D11/158
D264,665 S * 6/1982 Ochwat D7/517
D264,666 S * 6/1982 Ochwat D7/517
D360,661 S * 7/1995 Wist D21/610
D444,183 S 6/2001 Hochstrasser
D532,306 S * 11/2006 MacLeod D9/519
D539,093 S * 3/2007 Robinson A63H 3/36
D7/545
D548,011 S * 8/2007 Dorst D7/514
D554,507 S * 11/2007 Laupie D9/519
D572,978 S * 7/2008 Bizzell D7/505
D577,468 S 9/2008 Rutherford et al.
D622,014 S 8/2010 Miavitz
D653,916 S * 2/2012 Ablo D7/629
D657,366 S 4/2012 Leung
D738,968 S 9/2015 Oz
D752,694 S 3/2016 de Stoop
2016/0296851 A1 10/2016 Udairaj et al.

* cited by examiner

Primary Examiner — Sandra L Morris

(74) *Attorney, Agent, or Firm* — Avery N. Goldstein;
Blue Filament Law

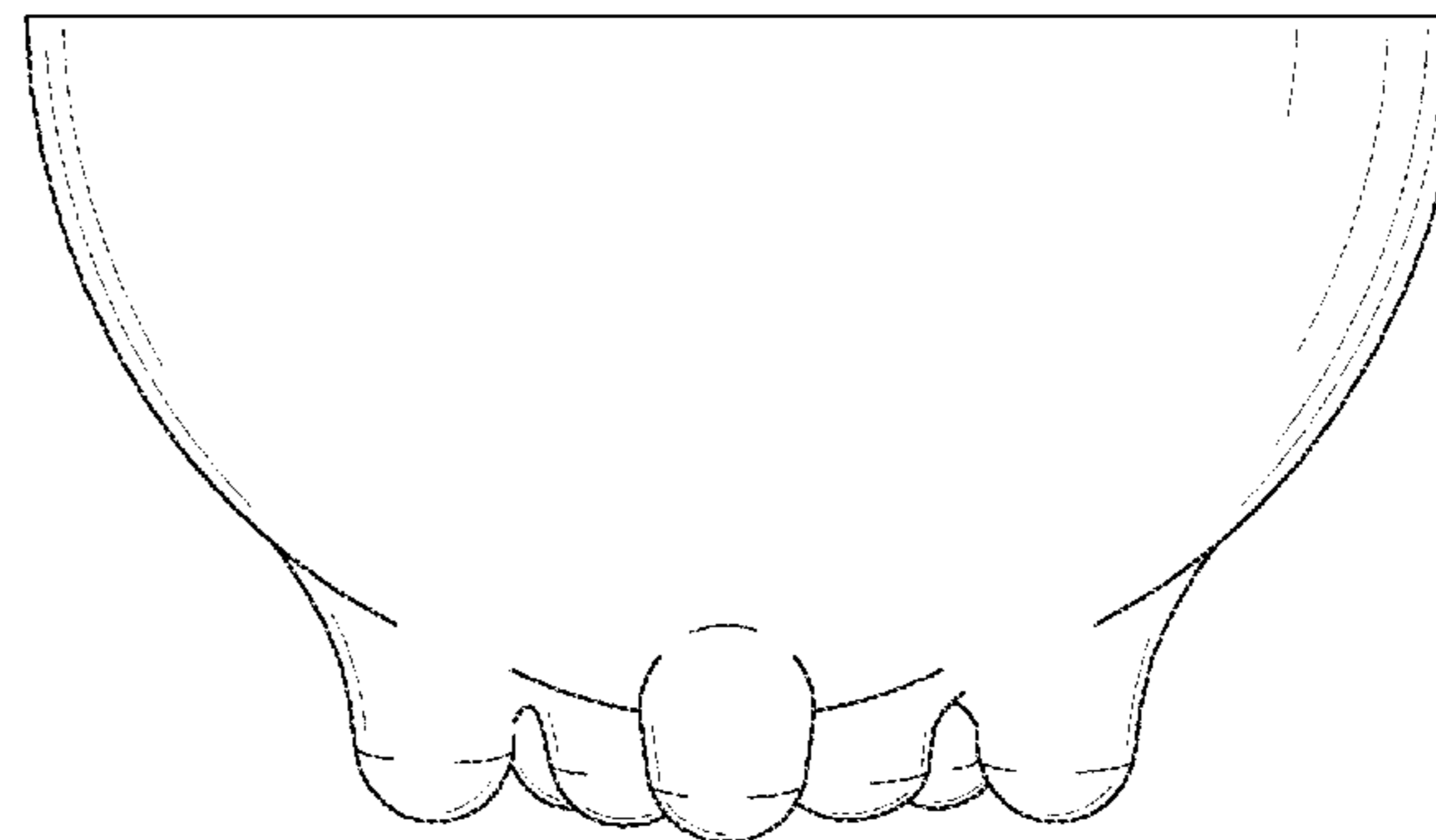
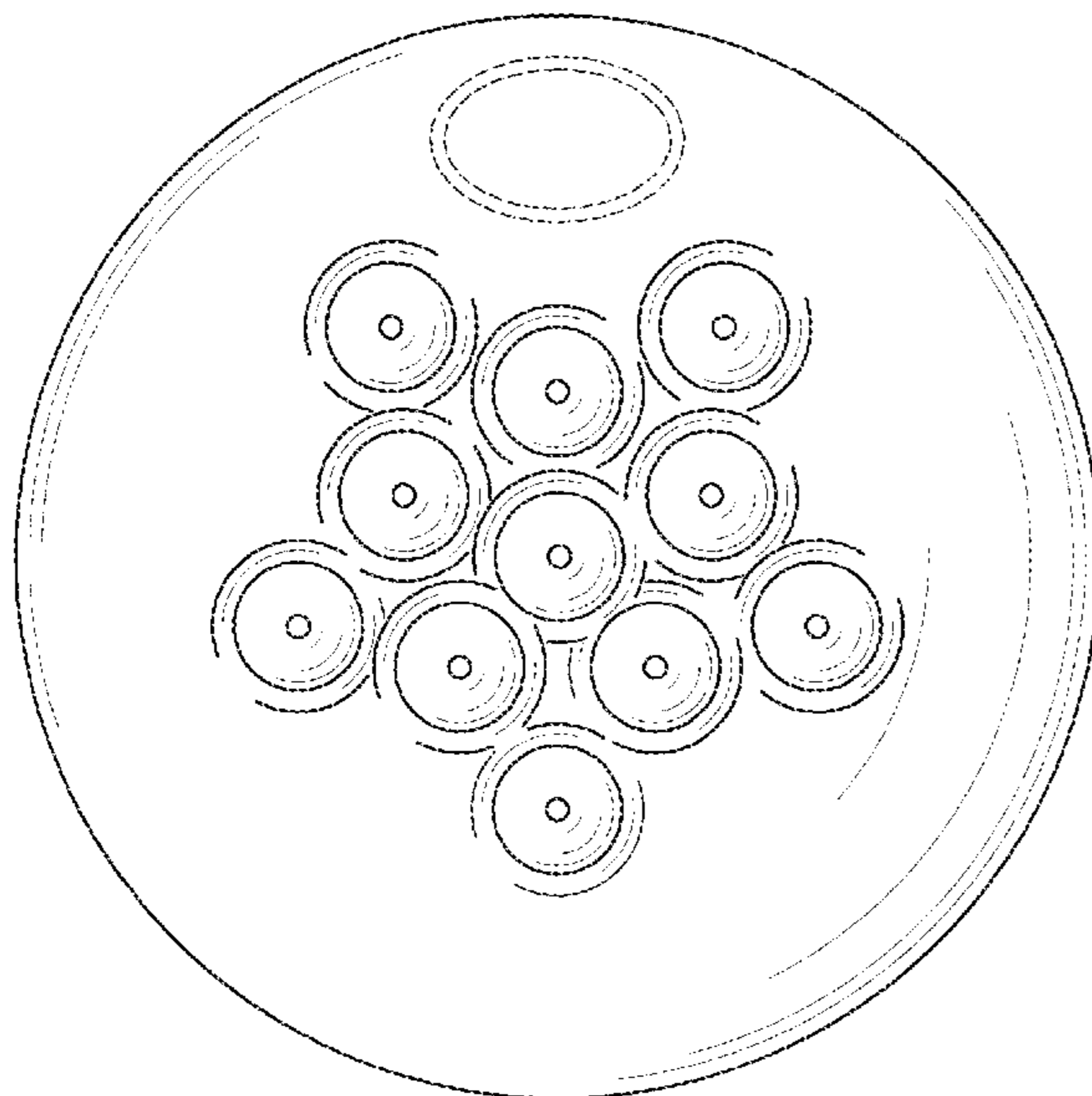
(57) **CLAIM**

The ornamental design for a toy, as shown and described.

DESCRIPTION

FIG. 1 is a bottom view of a toy;
FIG. 2 is a side view of the toy depicted in FIG. 1, where other side views have a five-fold symmetry with FIG. 2; and,
FIG. 3 is a top view of the toy depicted in FIG. 1.
The broken line showing of the logo is for the purpose of illustrating molded features and forms no part of the claimed design.

1 Claim, 2 Drawing Sheets



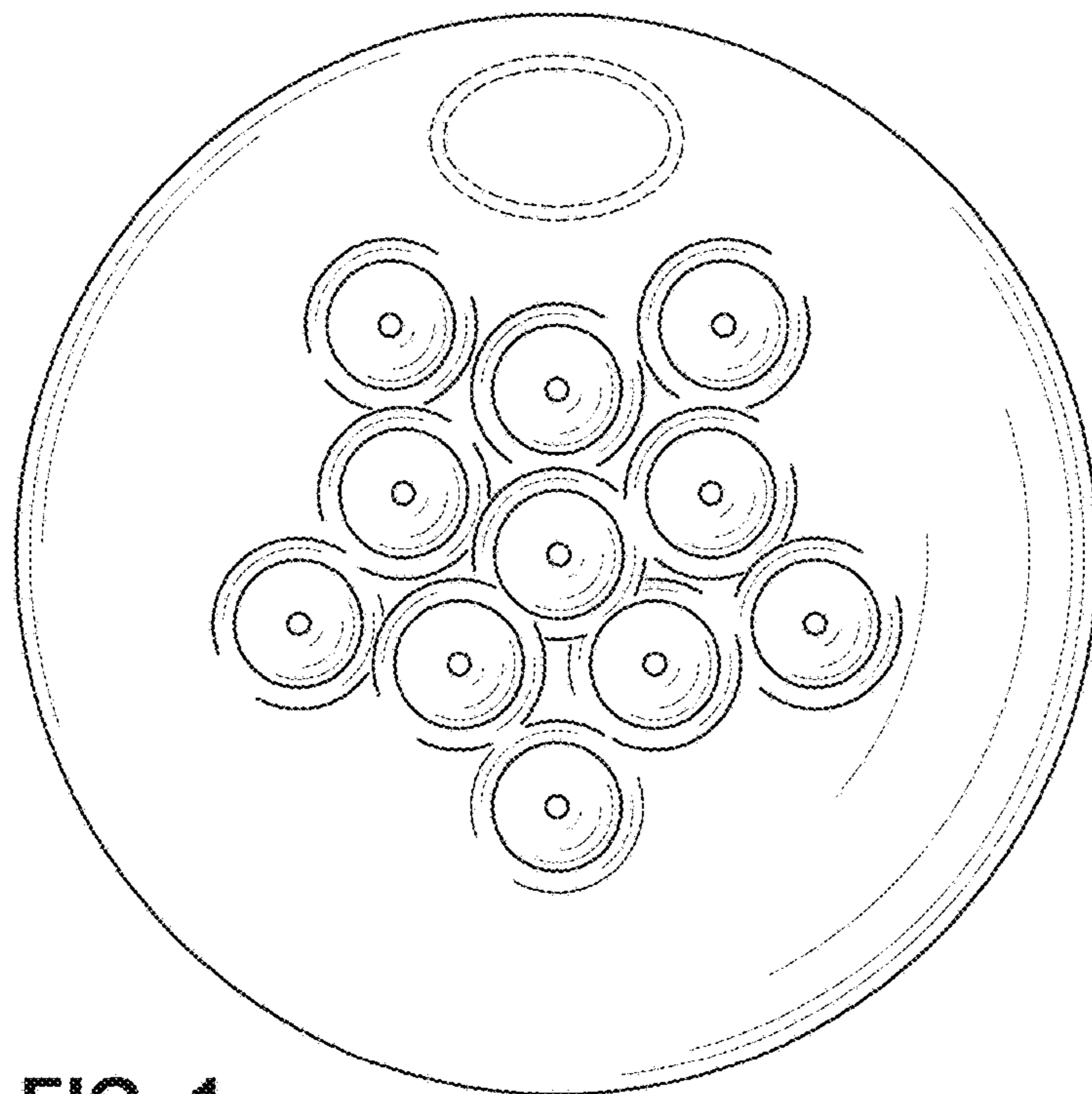


FIG. 1

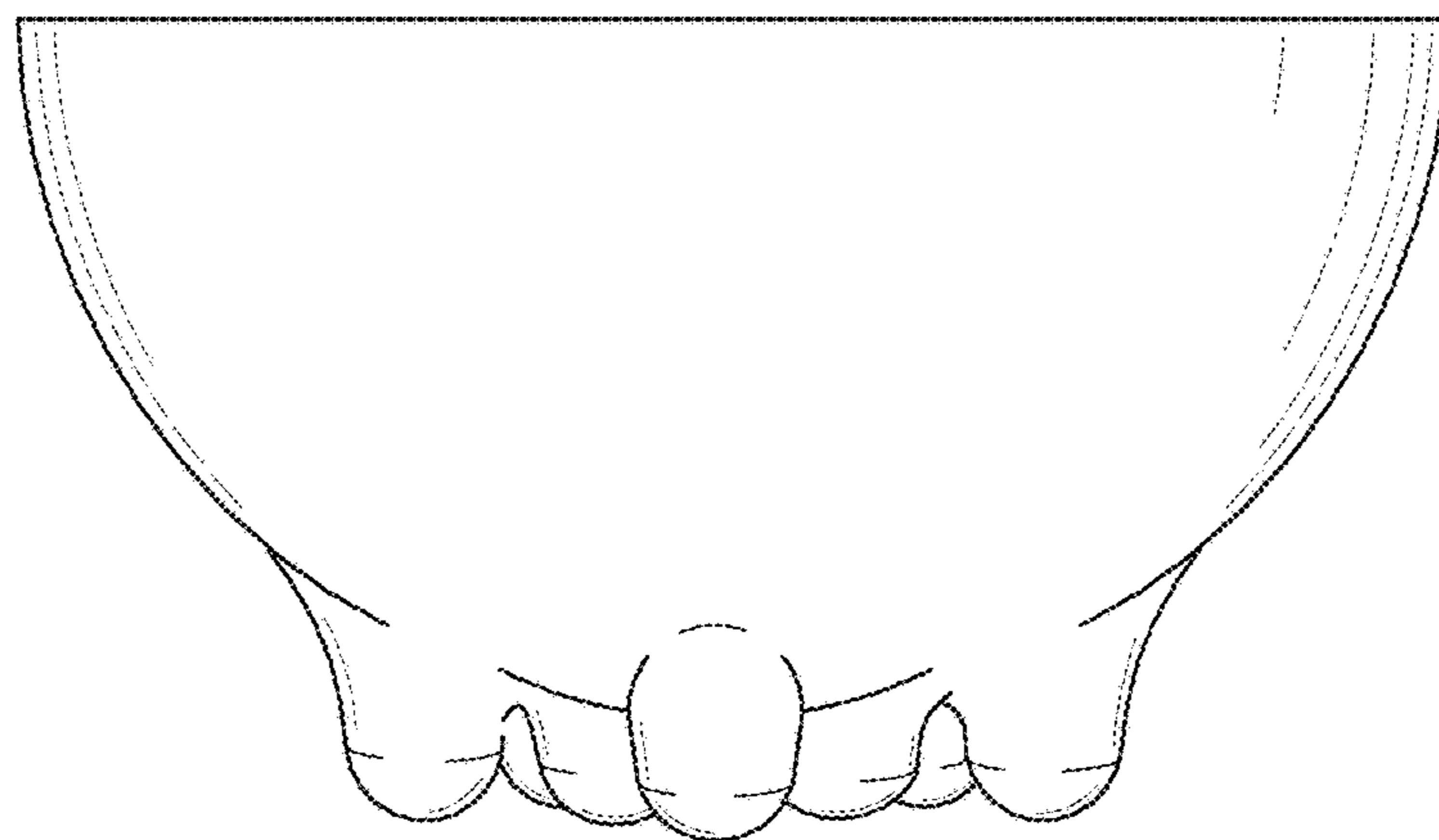


FIG. 2

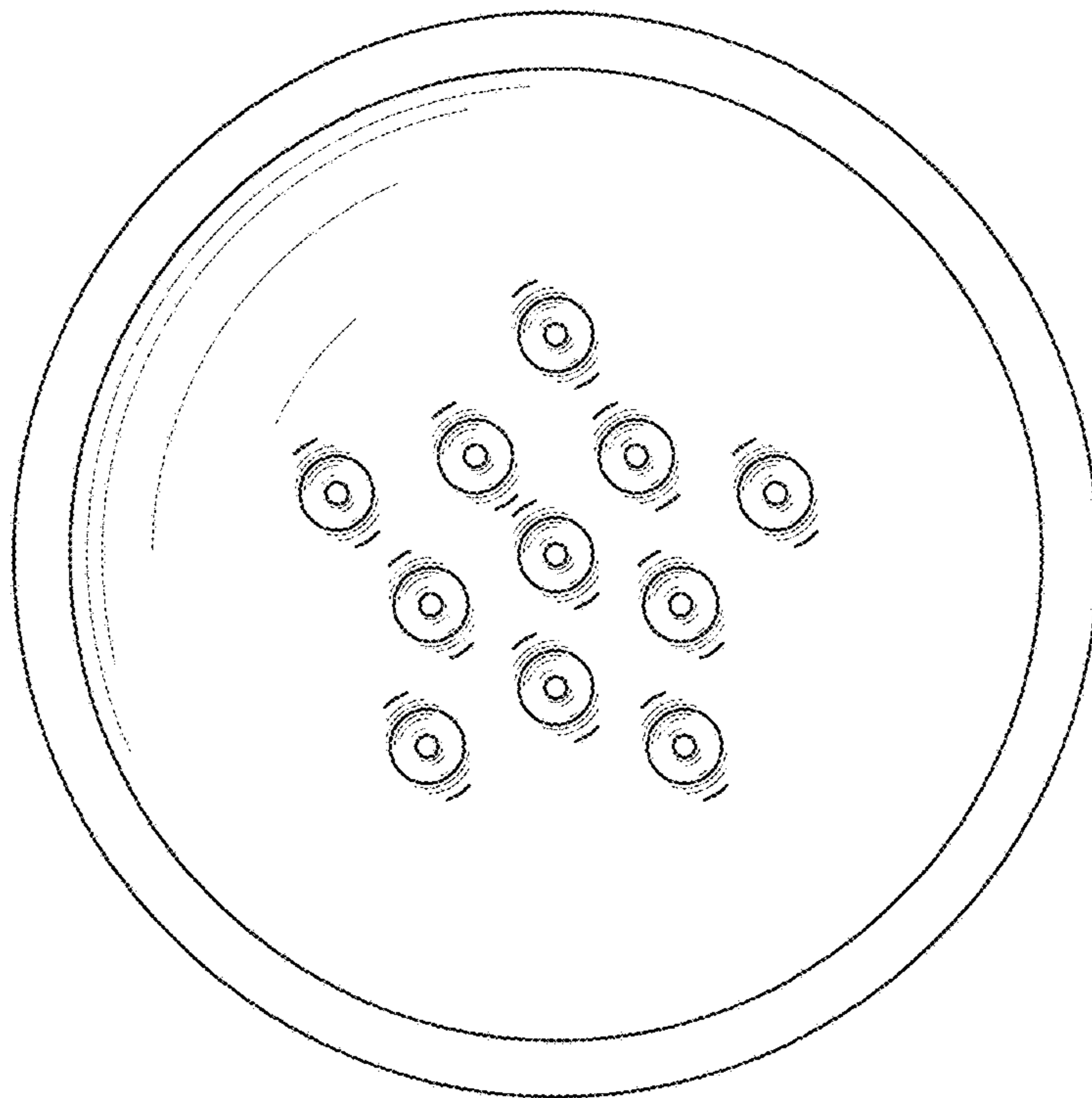


FIG. 3