



US00D839972S

(12) **United States Design Patent** (10) **Patent No.:** **US D839,972 S**
Chen et al. (45) **Date of Patent:** **** Feb. 5, 2019**

- (54) **TRANSFORMABLE TOY CAR**
- (71) Applicant: **BKK IT (SHANTOU) CO., LTD.**,
Shantou, Guangdong (CN)
- (72) Inventors: **Shaochuan Chen**, Guangdong (CN);
Jianhua Li, Hunan (CN)
- (73) Assignee: **BKK IT (SHANTOU) CO., LTD.**,
Shantou (CN)
- (**) Term: **15 Years**
- (21) Appl. No.: **29/626,711**
- (22) Filed: **Nov. 20, 2017**
- (51) **LOC (11) Cl.** **21-01**
- (52) **U.S. Cl.**
USPC **D21/580**
- (58) **Field of Classification Search**
USPC D12/86, 88, 90–92, 107, 110, 164, 173,
D12/184–186, 190, 196; D21/419, 421,
D21/423, 424–426, 432–434, 548, 549,
D21/550, 552, 559, 561, 579, 580
CPC A63H 17/26; A63H 17/262; A63H 17/264;
A63H 17/266; A63H 17/36; A63H 17/38;
A63H 29/00; A63H 29/22; A63H 29/24;
A63H 30/04
See application file for complete search history.

(56) **References Cited**

U.S. PATENT DOCUMENTS

- D297,034 S * 8/1988 Matsumoto D21/580
D297,037 S * 8/1988 Matsumoto D21/580
D301,261 S * 5/1989 Ohno D21/579
D301,357 S * 5/1989 Kunihiro D21/580
D302,573 S * 8/1989 Blankenship D21/559

- D311,041 S * 10/1990 Shinohara D21/580
D445,465 S * 7/2001 Ma D21/552
D567,885 S * 4/2008 Amadio D21/559
D674,029 S * 1/2013 Takahashi D15/199
D674,030 S * 1/2013 Takahashi D15/199
D724,158 S * 3/2015 Tsuchiya D21/559
D730,864 S * 6/2015 Stewart D14/168
D760,325 S * 6/2016 Sano D21/552
D827,038 S * 8/2018 Exley D21/434

* cited by examiner

Primary Examiner — Robin V Webster

Assistant Examiner — Keith J Wilson

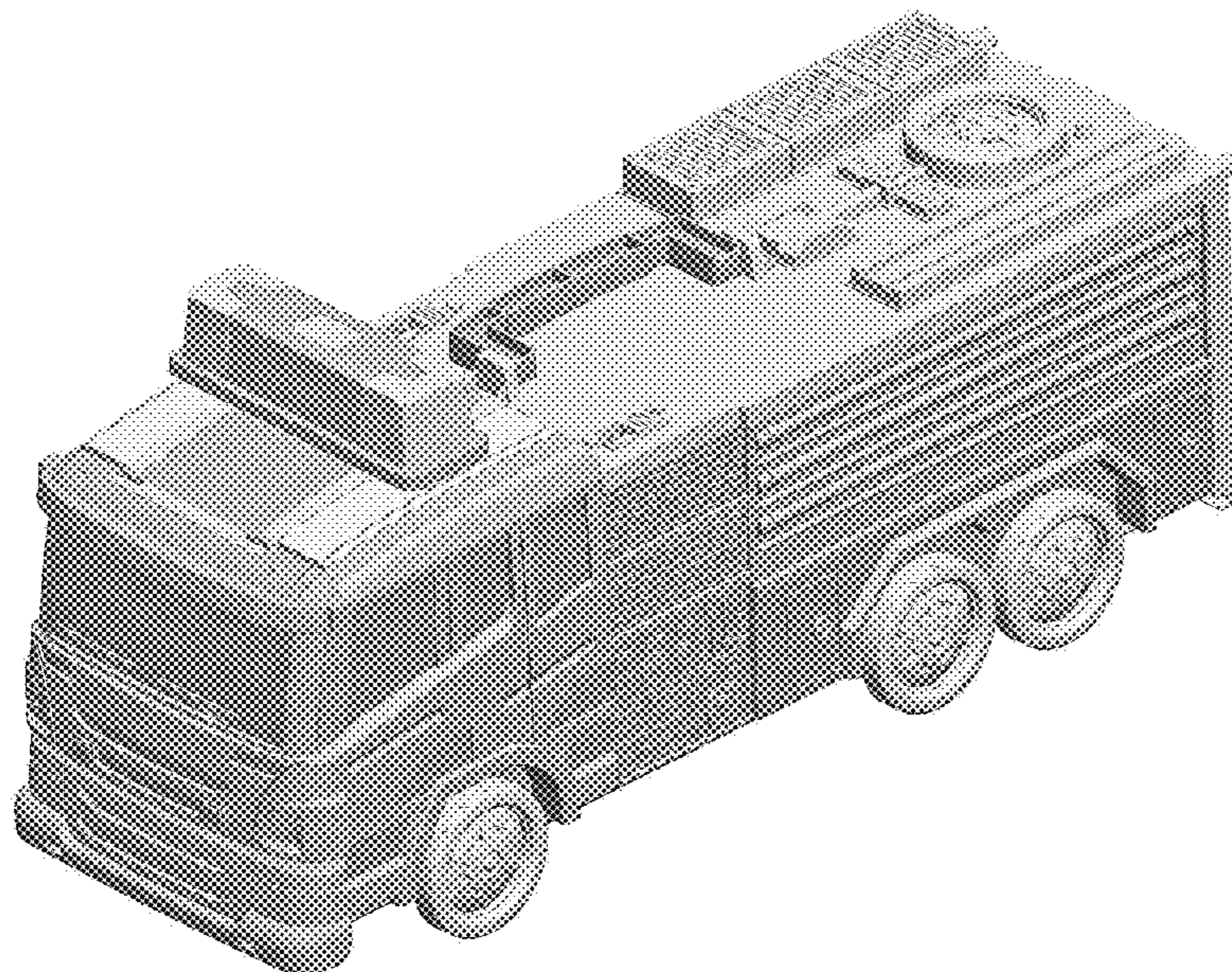
(57) **CLAIM**

The ornamental design for a transformable toy car, as shown and described.

DESCRIPTION

FIG. 1 is a top, front, right-side perspective view of a transformable toy car showing our new design;
FIG. 2 is a top, rear, left-side perspective view thereof;
FIG. 3 is a top, front, left-side perspective view thereof;
FIG. 4 is a top, rear, right-side perspective view thereof;
FIG. 5 is a bottom, front, left-side perspective view thereof;
FIG. 6 is a bottom, rear, right-side perspective view thereof;
FIG. 7 is a bottom, front, left-side perspective view showing the transformable toy car in a transformed state;
FIG. 8 is a bottom, rear, right-side perspective view of FIG. 7;
FIG. 9 is a top, front, left-side perspective view of FIG. 7,
FIG. 10 is a top, rear, right-side perspective view of FIG. 7;
FIG. 11 is a top, rear, left-side perspective view of FIG. 7; and,
FIG. 12 is a top, front, right-side perspective view of FIG. 7.

1 Claim, 12 Drawing Sheets



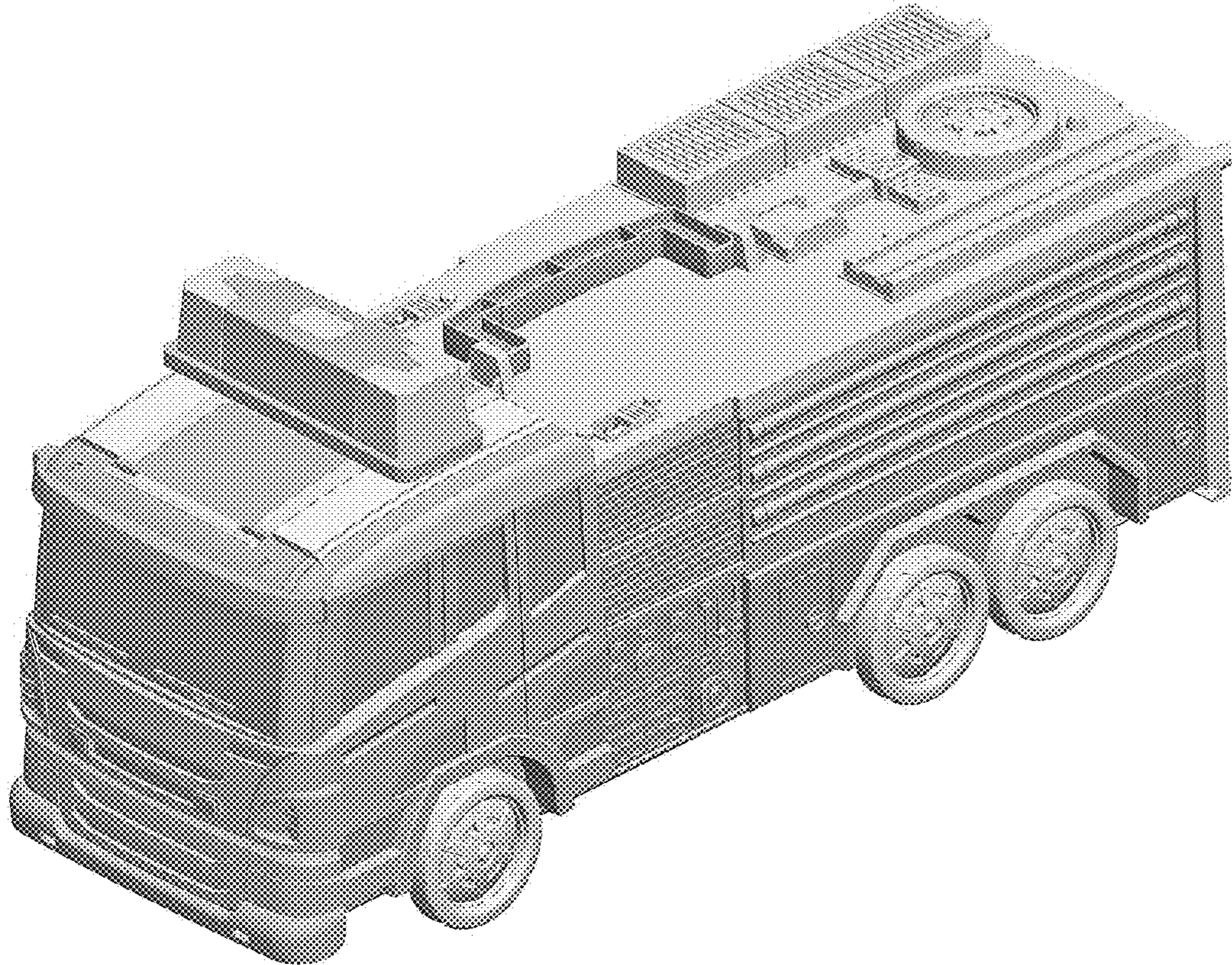


Fig. 1

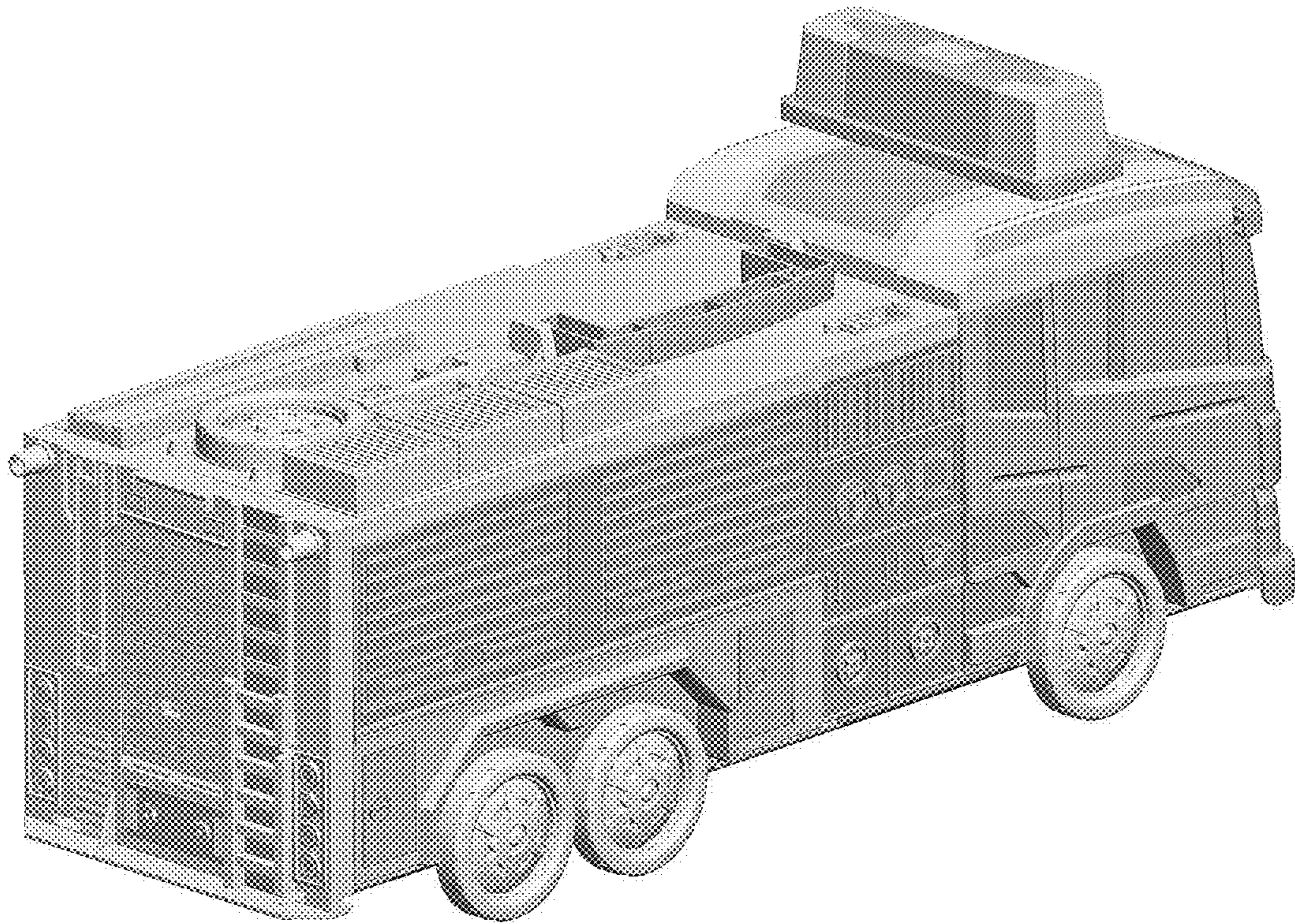


Fig. 2

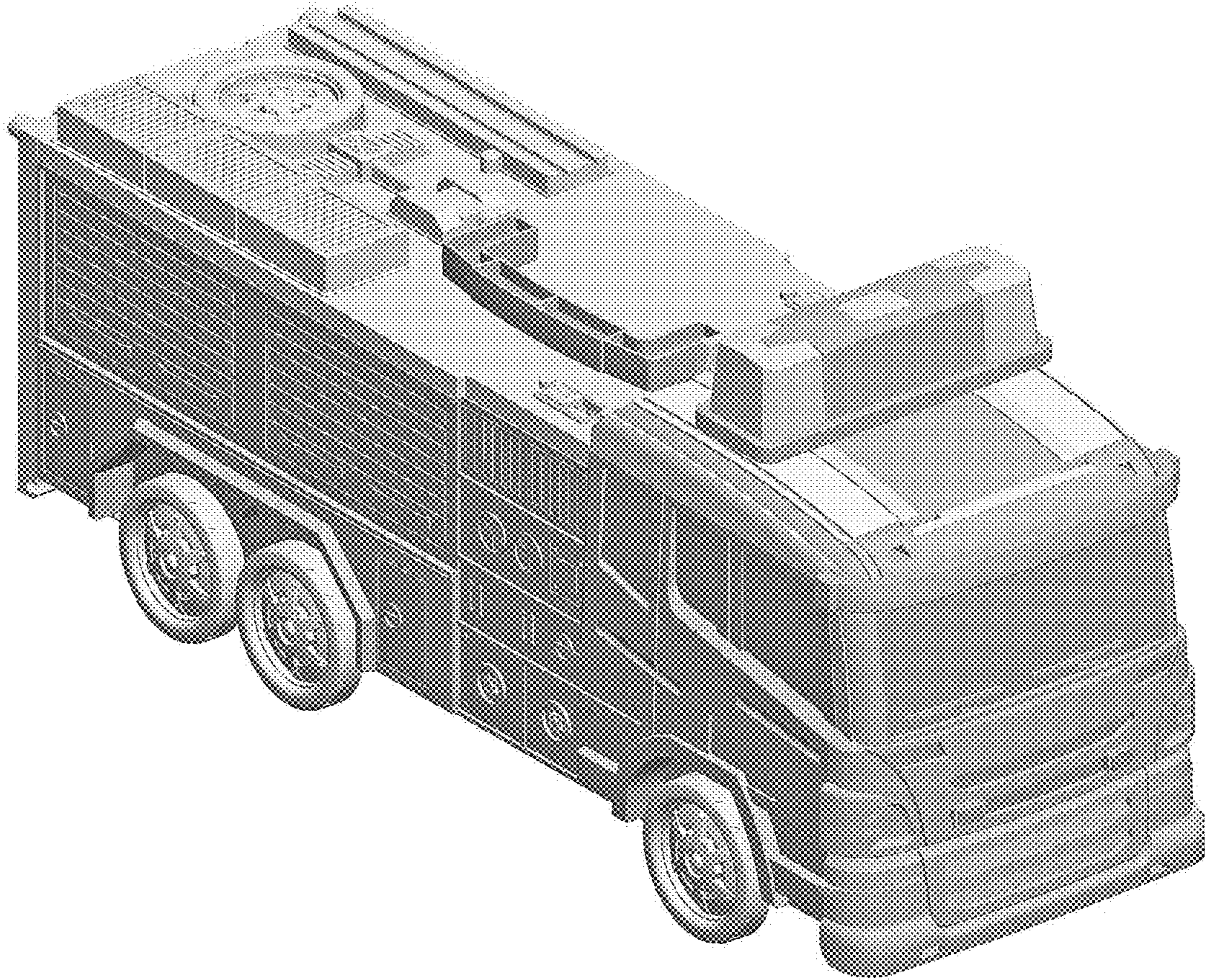


Fig. 3

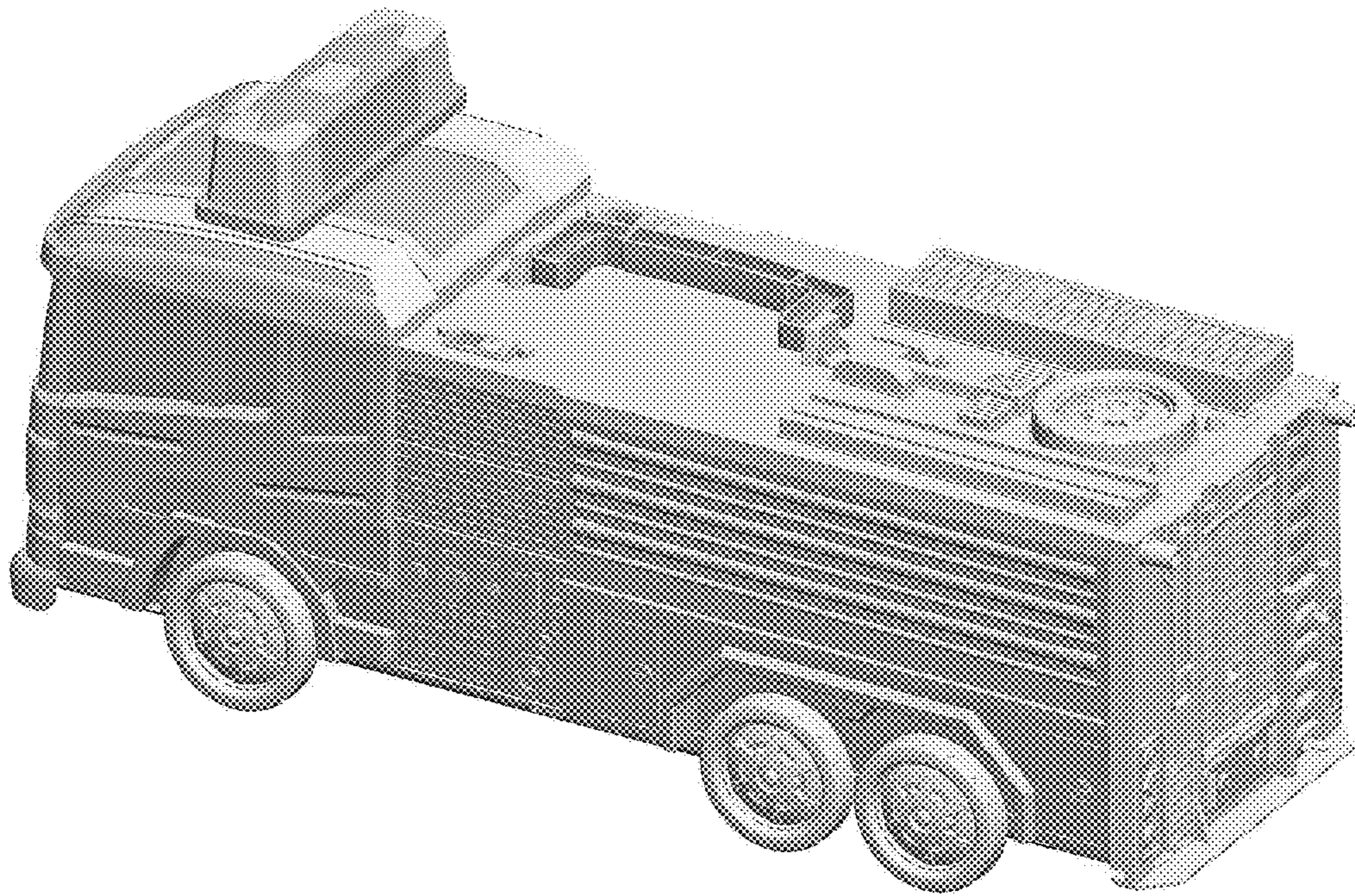


Fig. 4

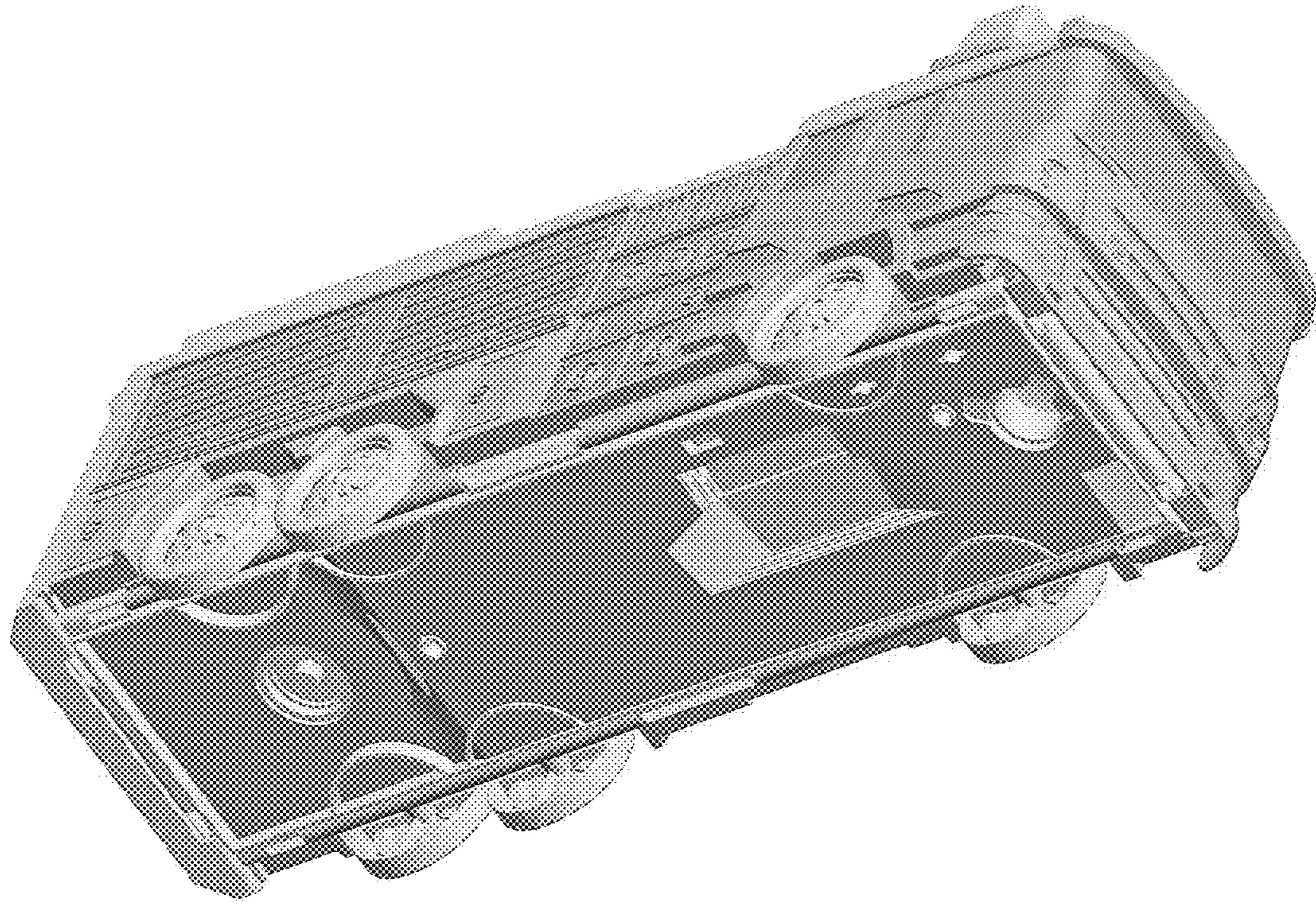


Fig. 5

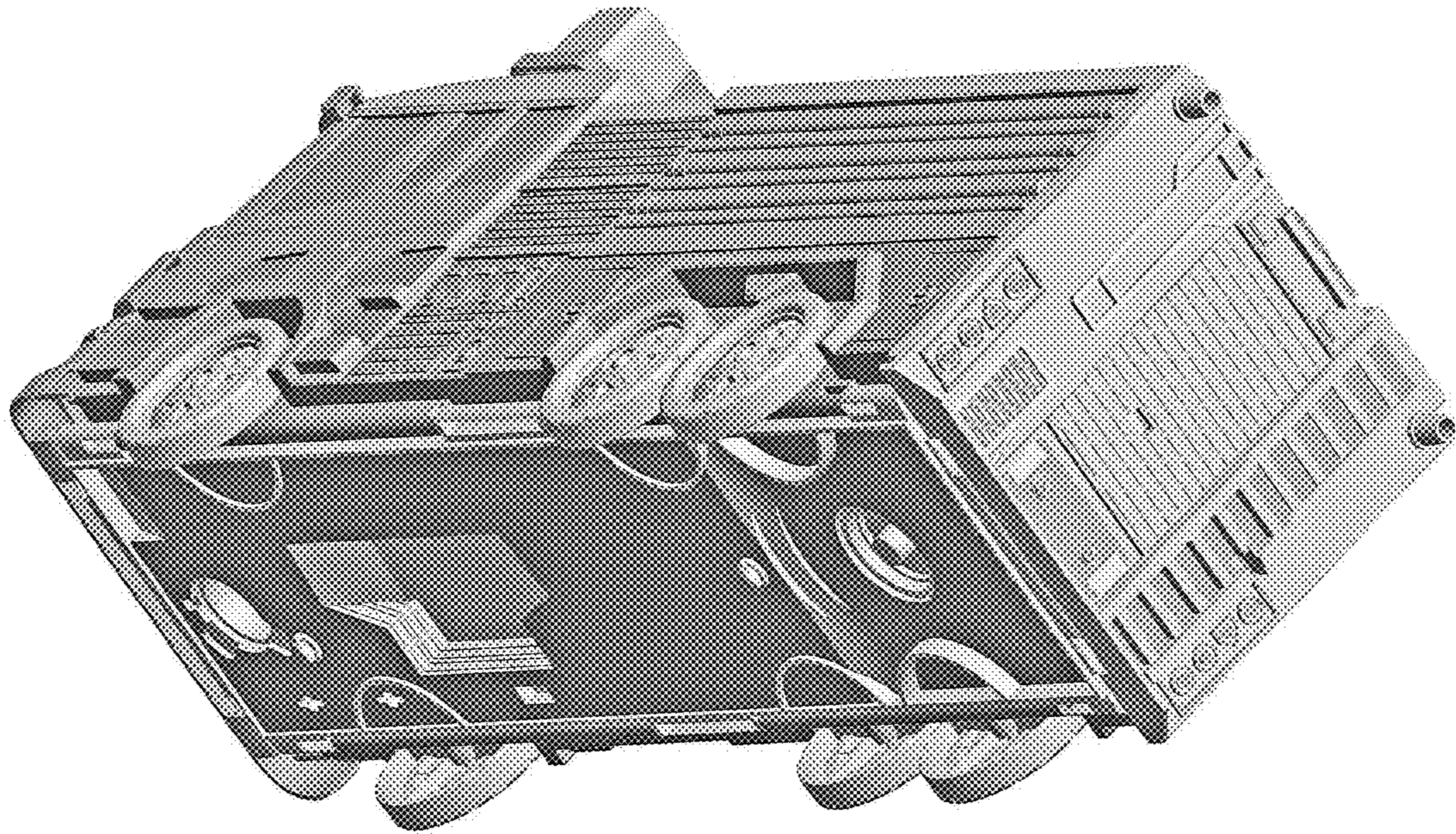


Fig. 6

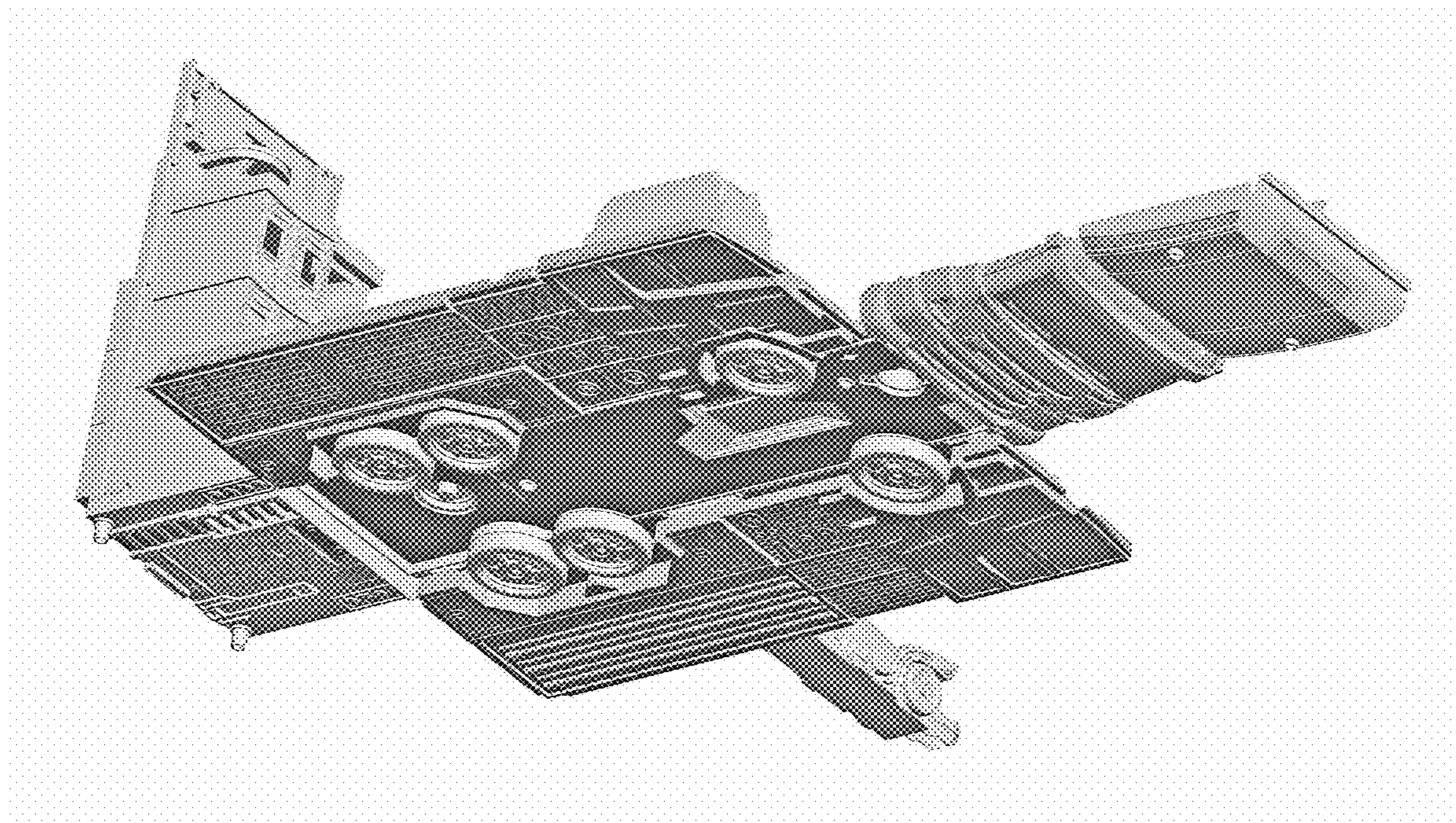


Fig. 7

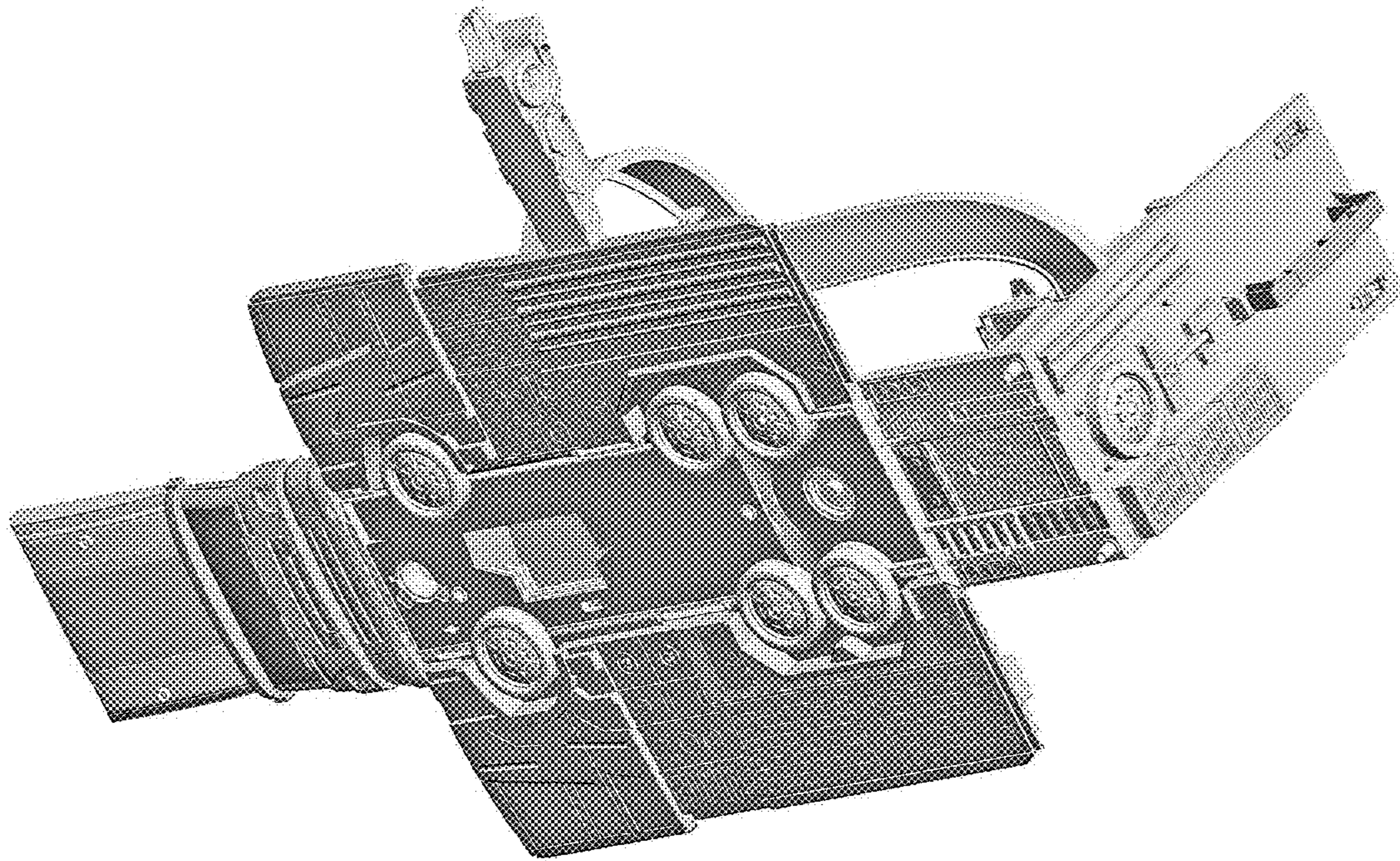


Fig. 8

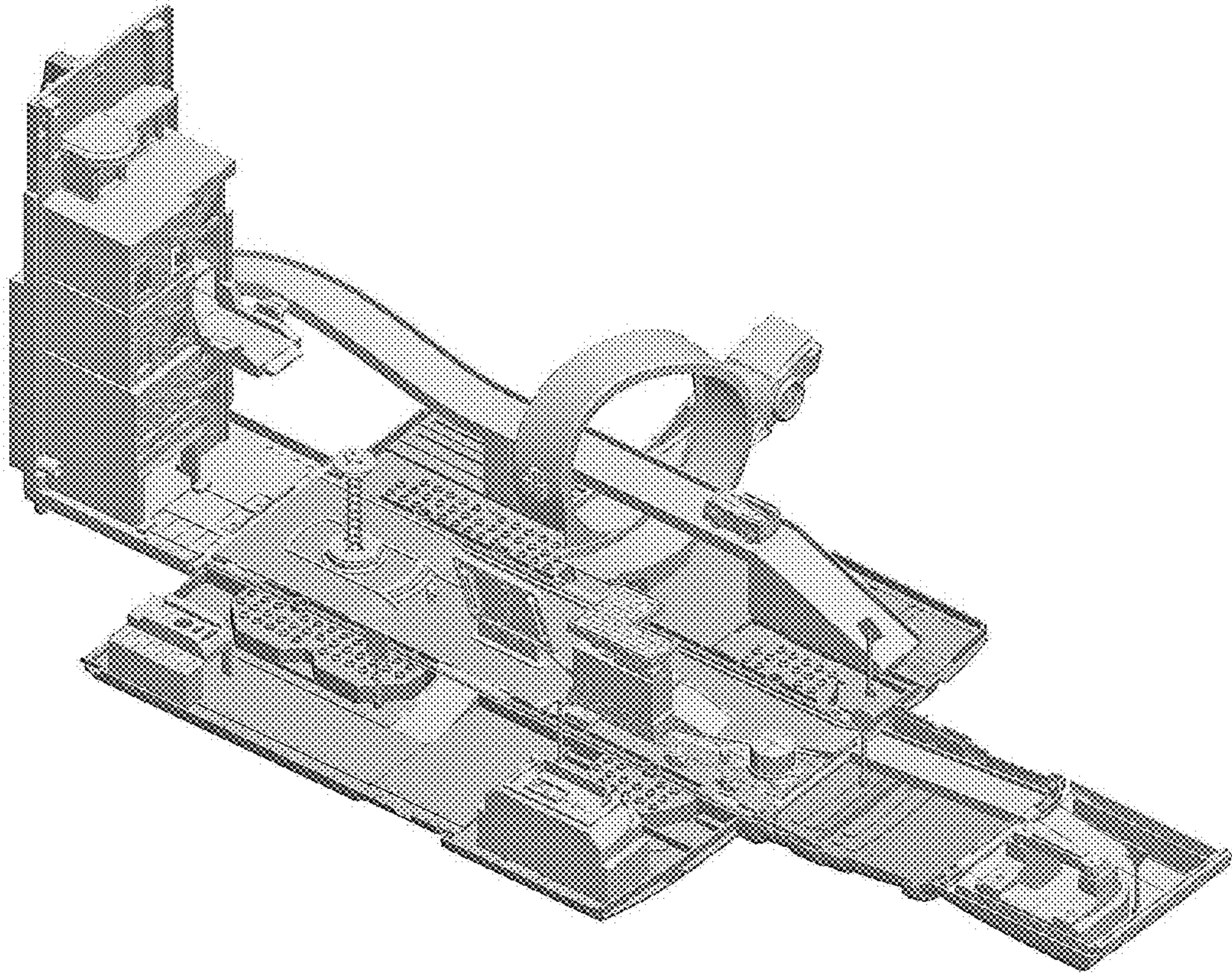


Fig. 9

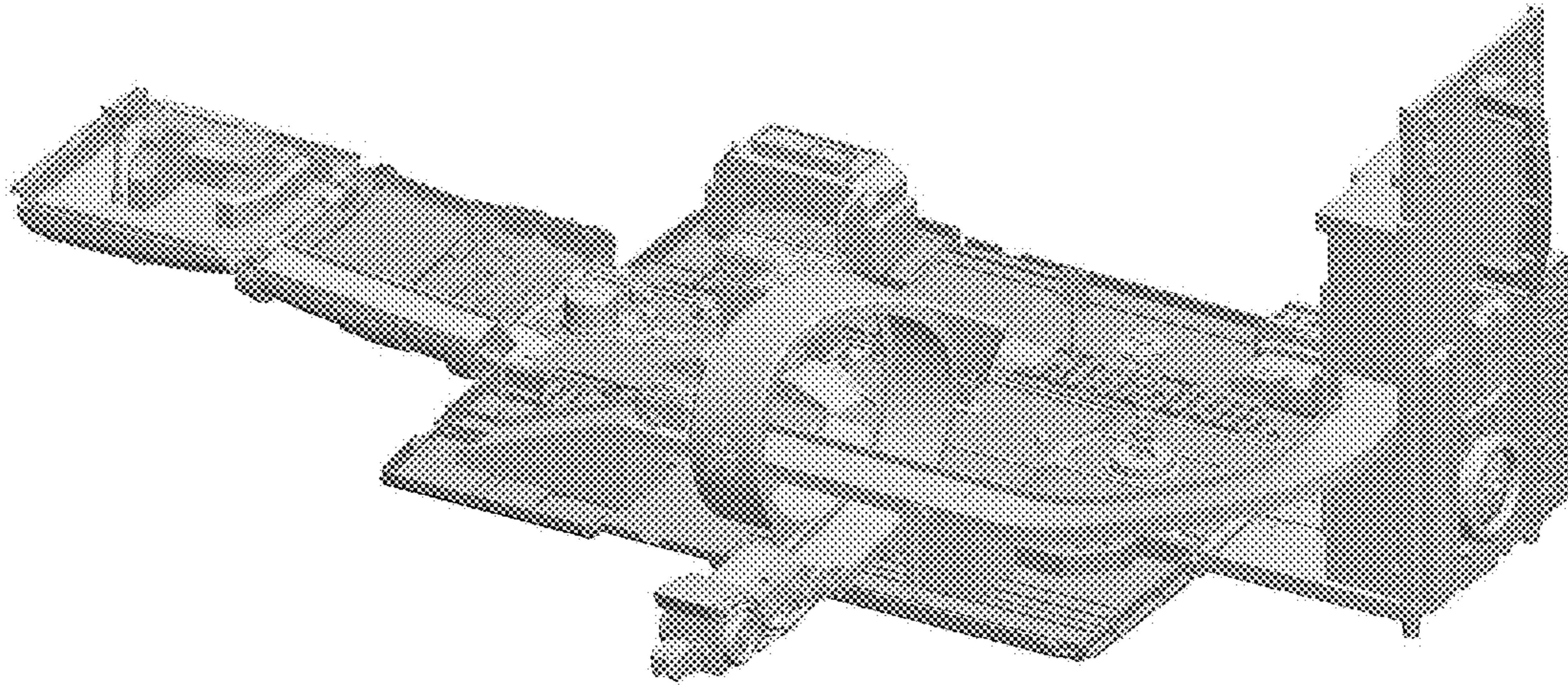


Fig. 10

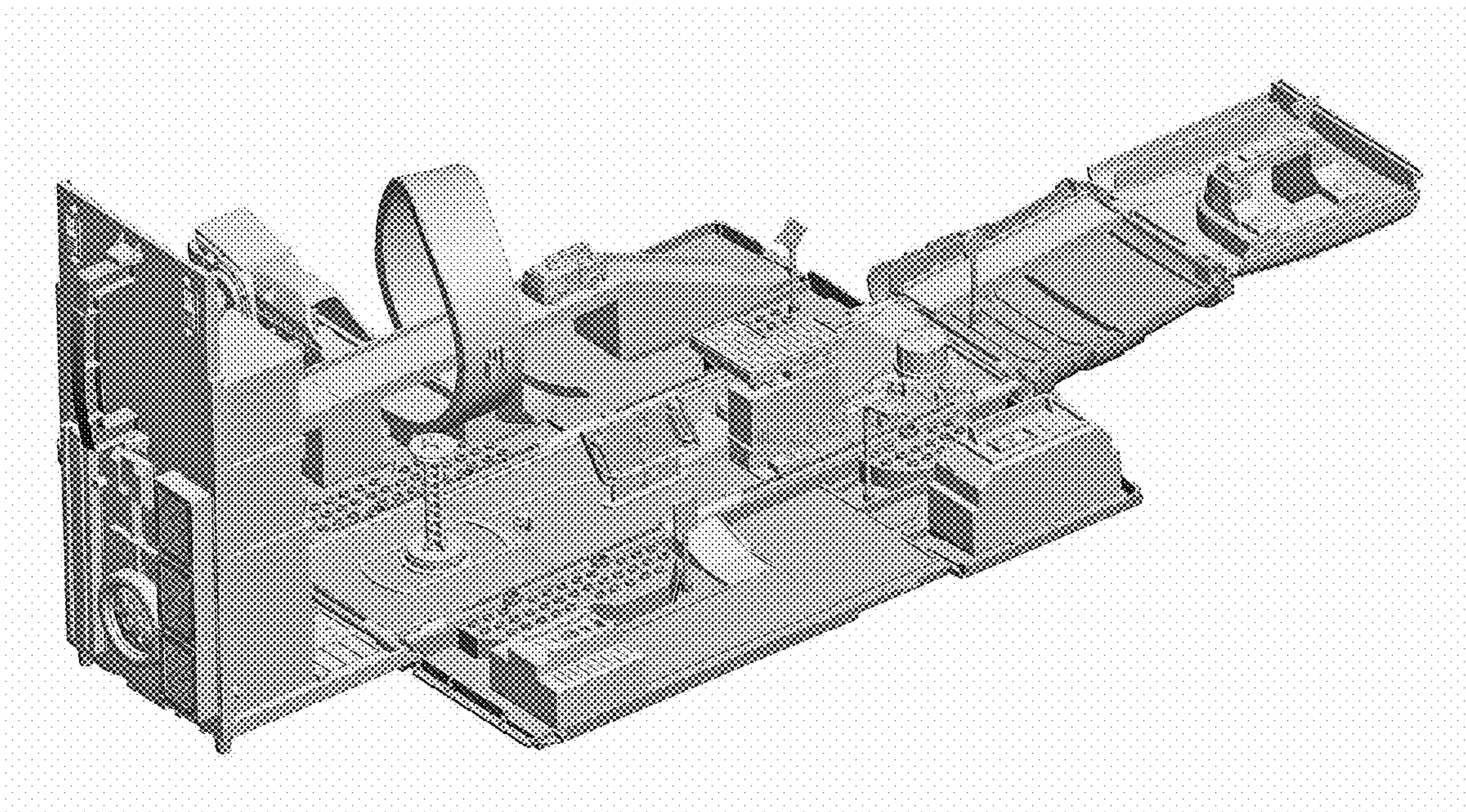


Fig. 11

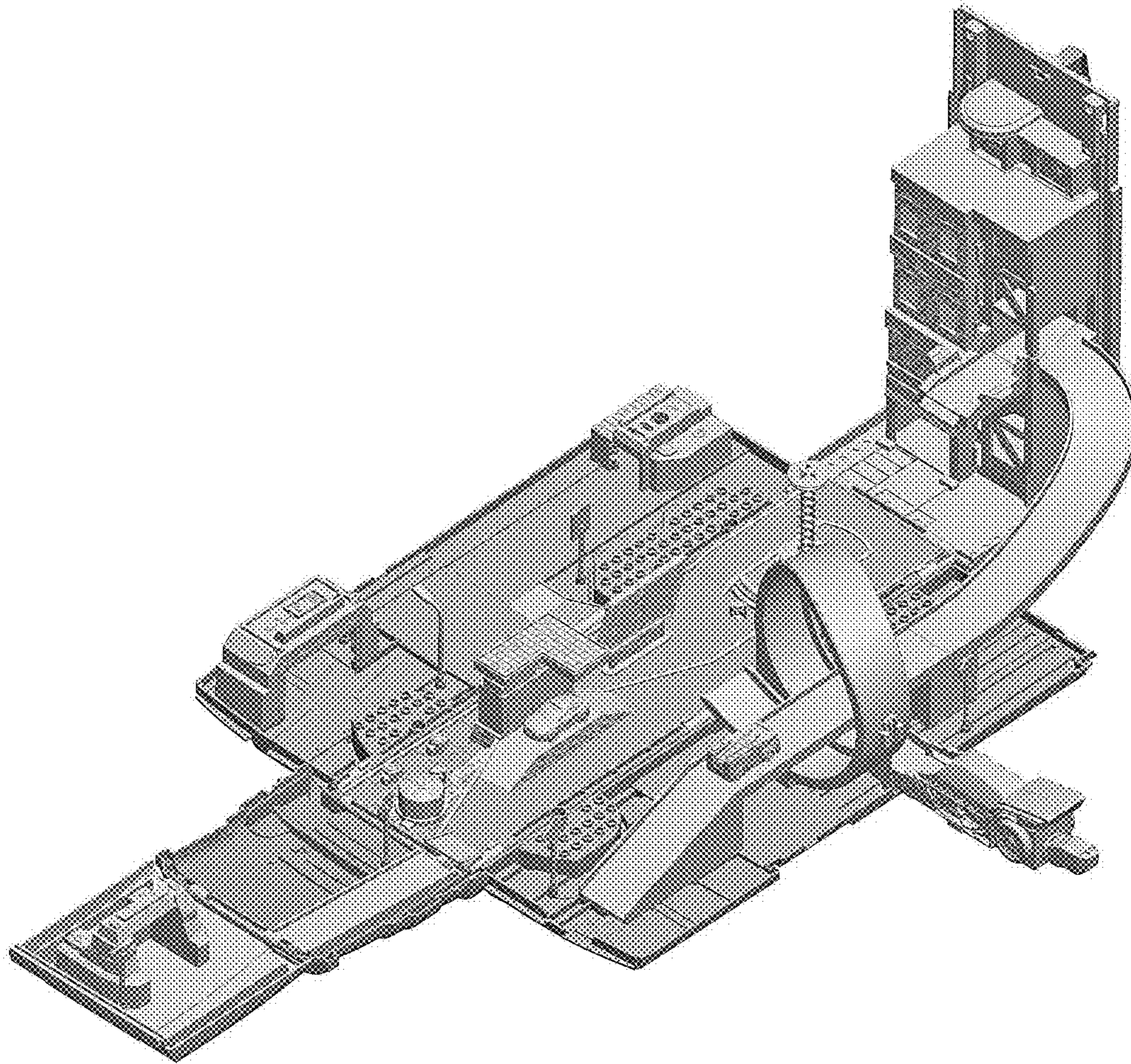


Fig. 12