



US00D839971S

(12) **United States Design Patent**  
**Chu**

(10) **Patent No.:** **US D839,971 S**

(45) **Date of Patent:** **\*\* Feb. 5, 2019**

(54) **TOY GUN**

(71) Applicant: **I CHIH SHIVAN ENTERPRISE CO., LTD.**, Taichung (TW)

(72) Inventor: **Chen Tang Chu**, Taichung (TW)

(73) Assignee: **I CHIH SHIVAN ENTERPRISE CO., LTD.**, Taichung (TW)

(\*\*) Term: **15 Years**

(21) Appl. No.: **29/585,914**

(22) Filed: **Nov. 30, 2016**

(51) **LOC (11) Cl.** ..... **21-01**

(52) **U.S. Cl.**  
USPC ..... **D21/574; D22/104**

(58) **Field of Classification Search**  
USPC ..... D21/567, 570-575; D22/100-104,  
D22/108-109; 124/41.1, 45, 49, 50, 51.1,  
124/55, 56, 69, 70-79, 80, 82  
CPC .... F41C 3/00; F41C 3/005; F41C 3/02; F41C  
3/04; F41C 3/06; F41C 3/14; F41C 3/16;  
F41C 9/02; F41C 9/04; F41C 9/06  
See application file for complete search history.

(56) **References Cited**

**U.S. PATENT DOCUMENTS**

D293,357 S	*	12/1987	Ruger	.....	D22/108
D583,896 S	*	12/2008	McGarry	.....	D22/104
D593,629 S	*	6/2009	Bantle	.....	D22/104
D598,065 S	*	8/2009	Vukovic	.....	D22/104
D627,028 S	*	11/2010	Coulombier	.....	D22/104
D676,094 S	*	2/2013	Hu	.....	D21/574
D681,131 S	*	4/2013	Su	.....	D21/574

D688,764 S	*	8/2013	Yigit	.....	D22/104
D690,374 S	*	9/2013	Lee	.....	D21/574
D744,049 S	*	11/2015	Chu	.....	D21/574
D754,802 S	*	4/2016	Martelli	.....	D21/574
D755,324 S	*	5/2016	Martelli	.....	D22/104
D755,907 S	*	5/2016	Hu	.....	D21/574
D791,262 S	*	7/2017	Brown	.....	D22/104

**OTHER PUBLICATIONS**

Beretta M9 [online] found on Jan. 12, 2018 from URL [https://en.wikipedia.org/wiki/Beretta\\_M9#/media/File:M9-pistolet.jpg](https://en.wikipedia.org/wiki/Beretta_M9#/media/File:M9-pistolet.jpg).\*

\* cited by examiner

*Primary Examiner* — Robin V Webster

*Assistant Examiner* — Keith J Wilson

(74) *Attorney, Agent, or Firm* — Leong C. Lei

(57) **CLAIM**

The ornamental design for a toy gun, as shown and described.

**DESCRIPTION**

FIG. 1 is a front perspective view of a toy gun showing my new design;

FIG. 2 is a bottom perspective view thereof;

FIG. 3 is a rear perspective view thereof;

FIG. 4 is a front elevational view thereof;

FIG. 5 is a rear elevational view thereof;

FIG. 6 is a left elevational view thereof;

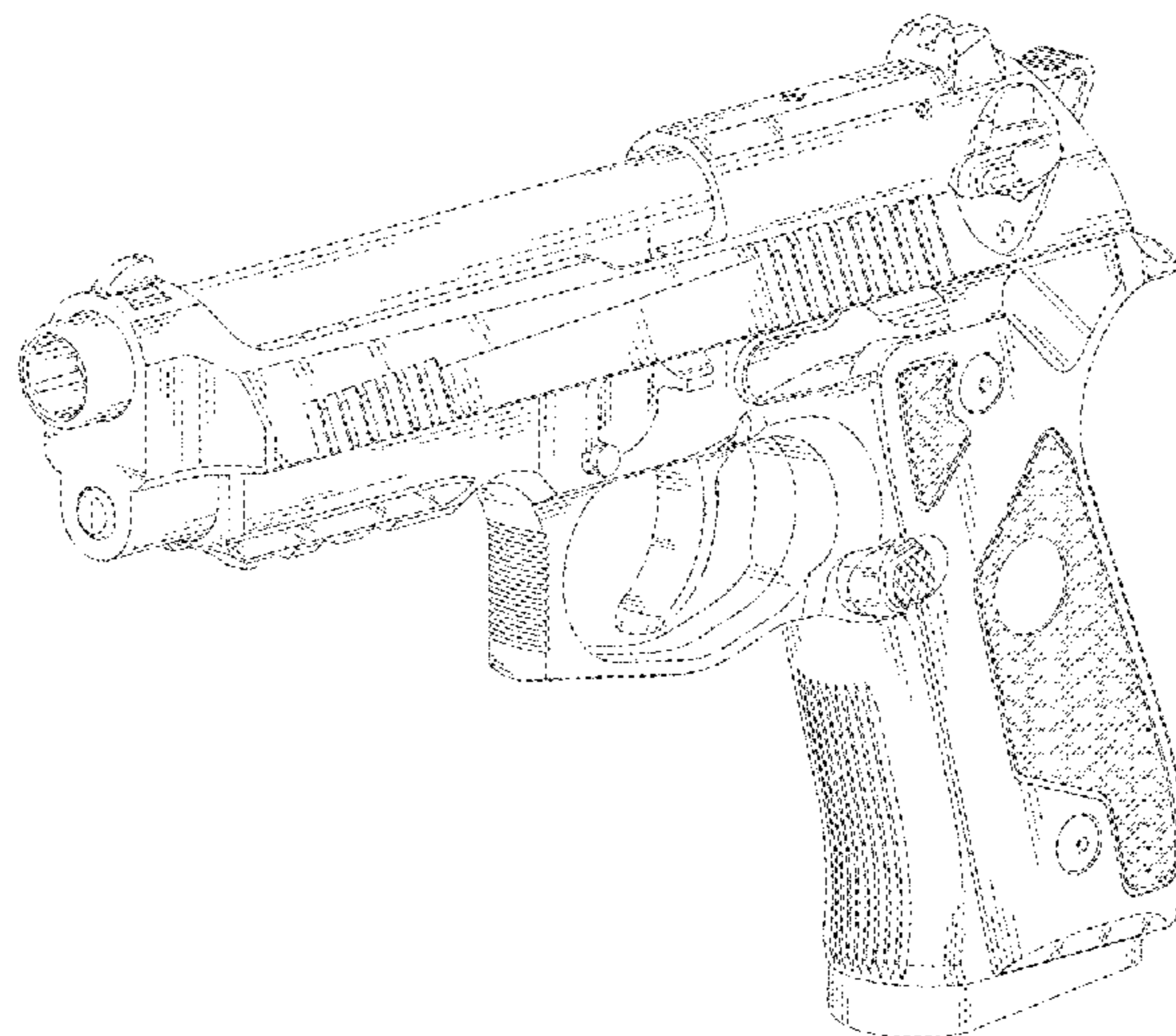
FIG. 7 is a right elevational view thereof;

FIG. 8 is a top plan view thereof; and,

FIG. 9 is a bottom plan view thereof.

The broken lines shown represent portions of the toy gun that form no part of the claimed design.

**1 Claim, 9 Drawing Sheets**



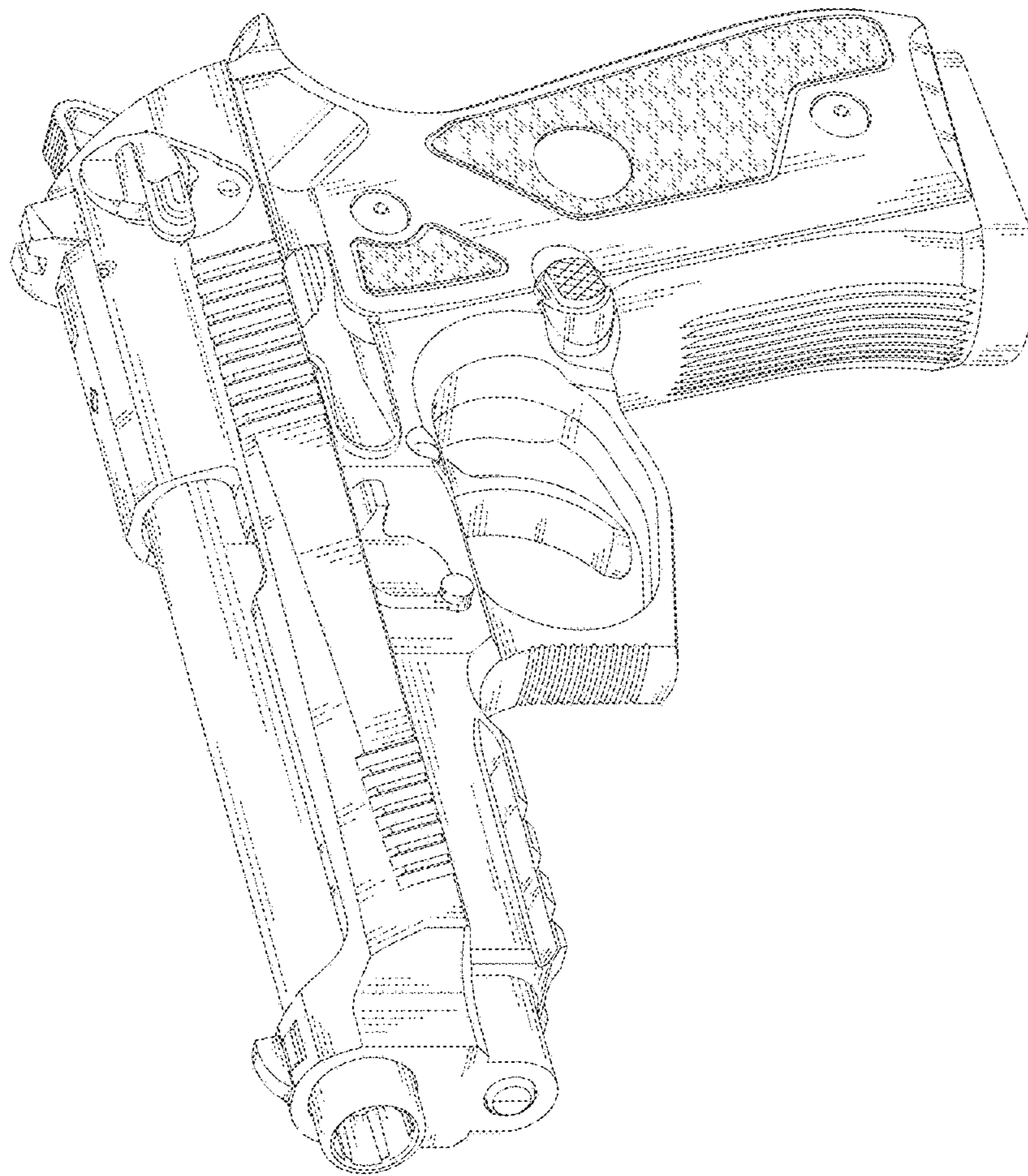


FIG. 1

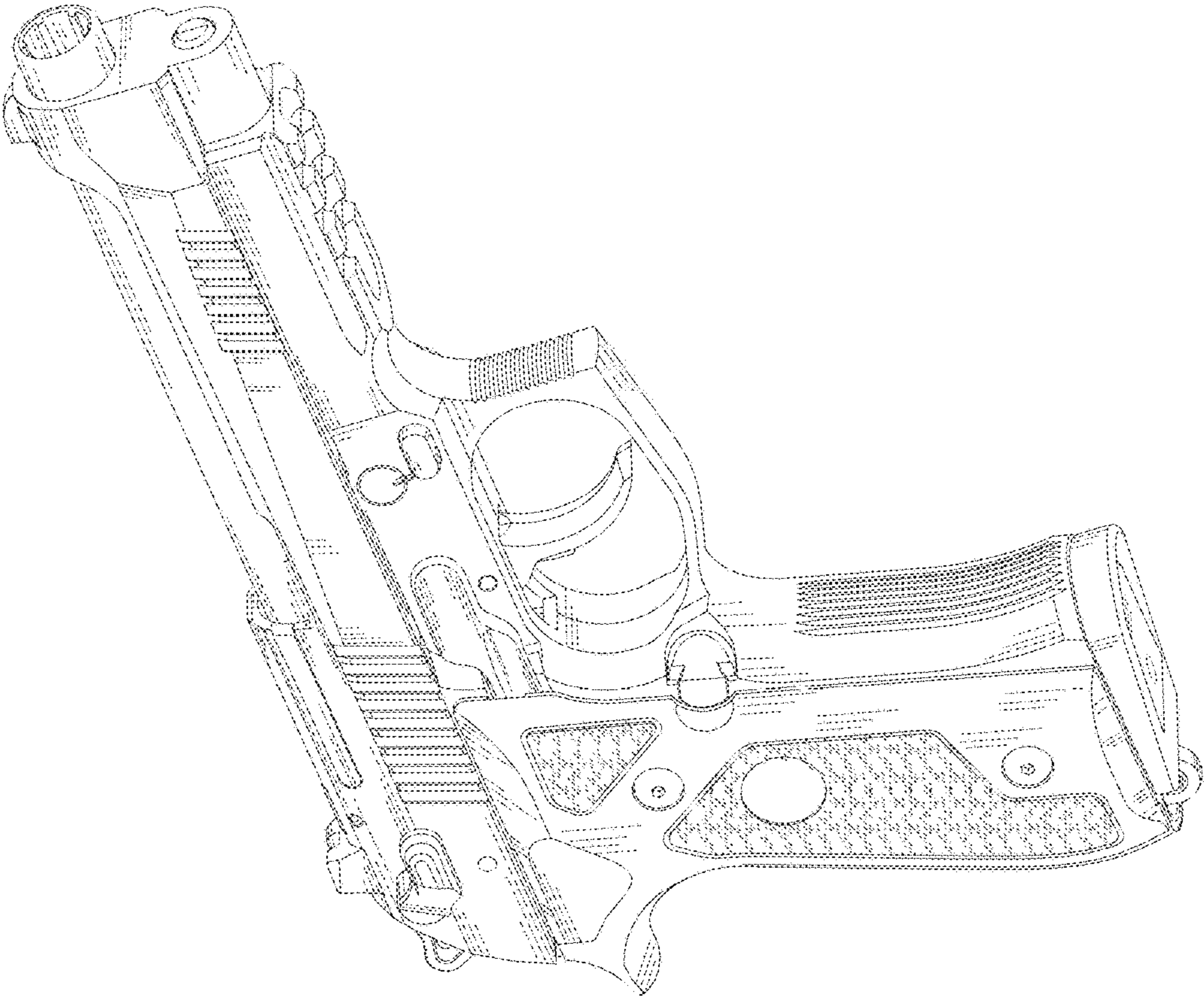


FIG.2

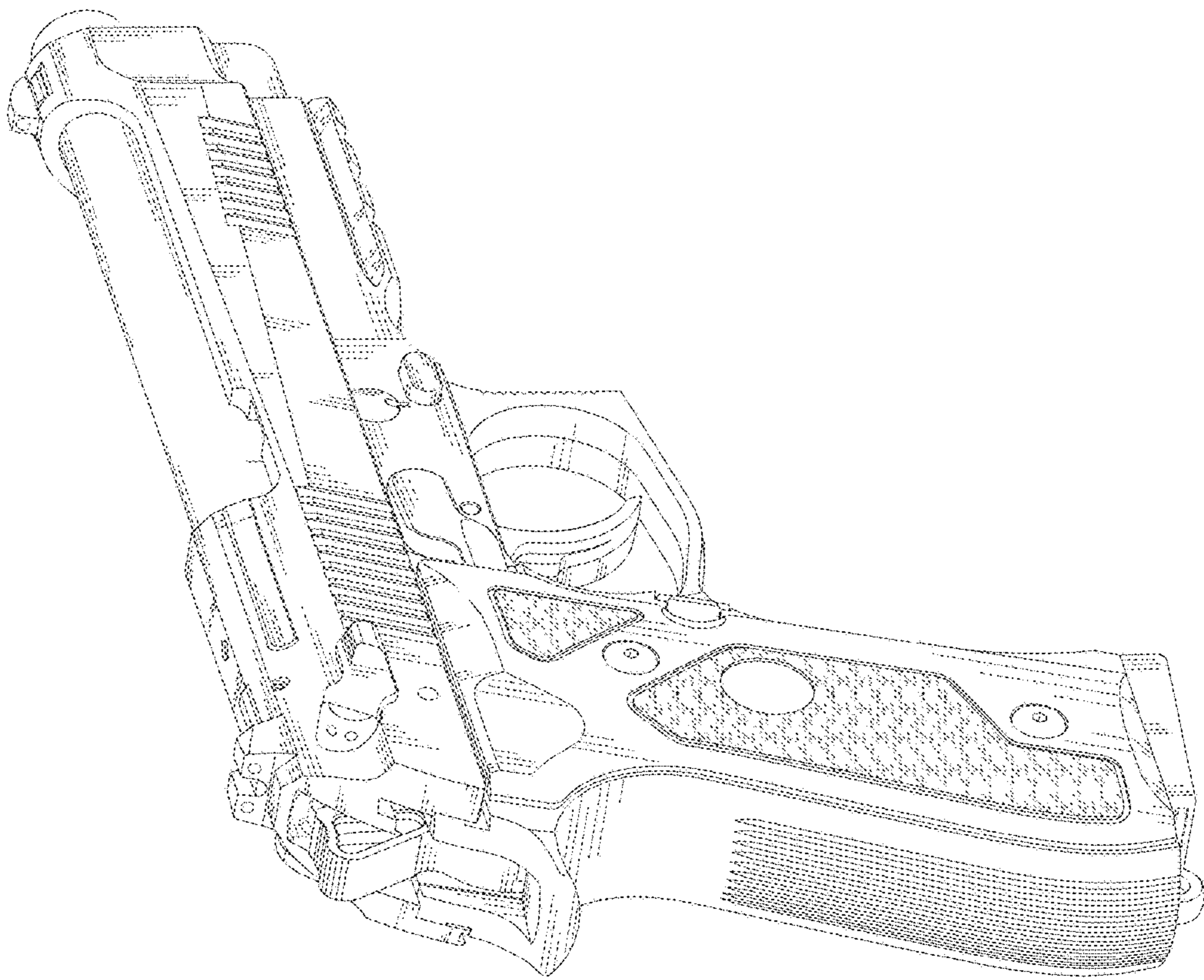


FIG.3

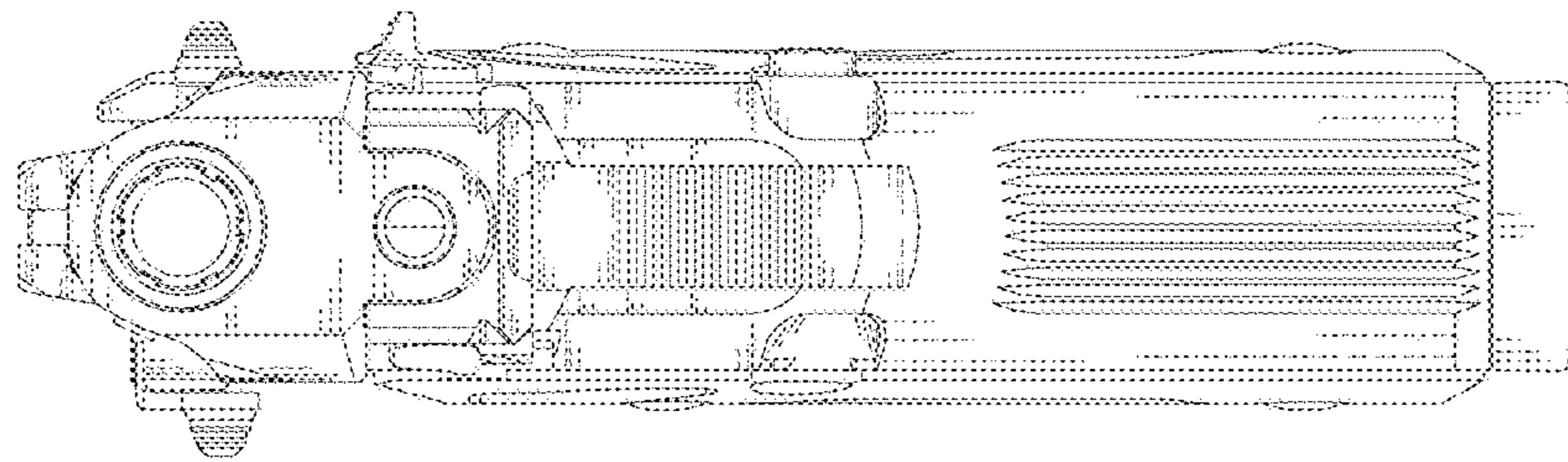


FIG. 4

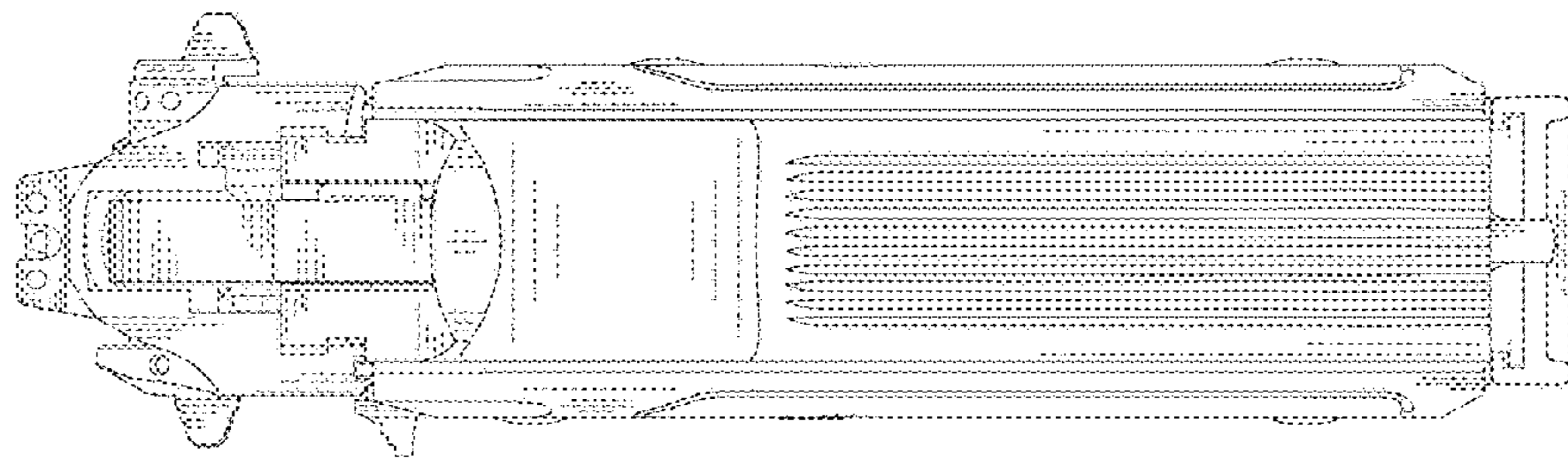


FIG. 5

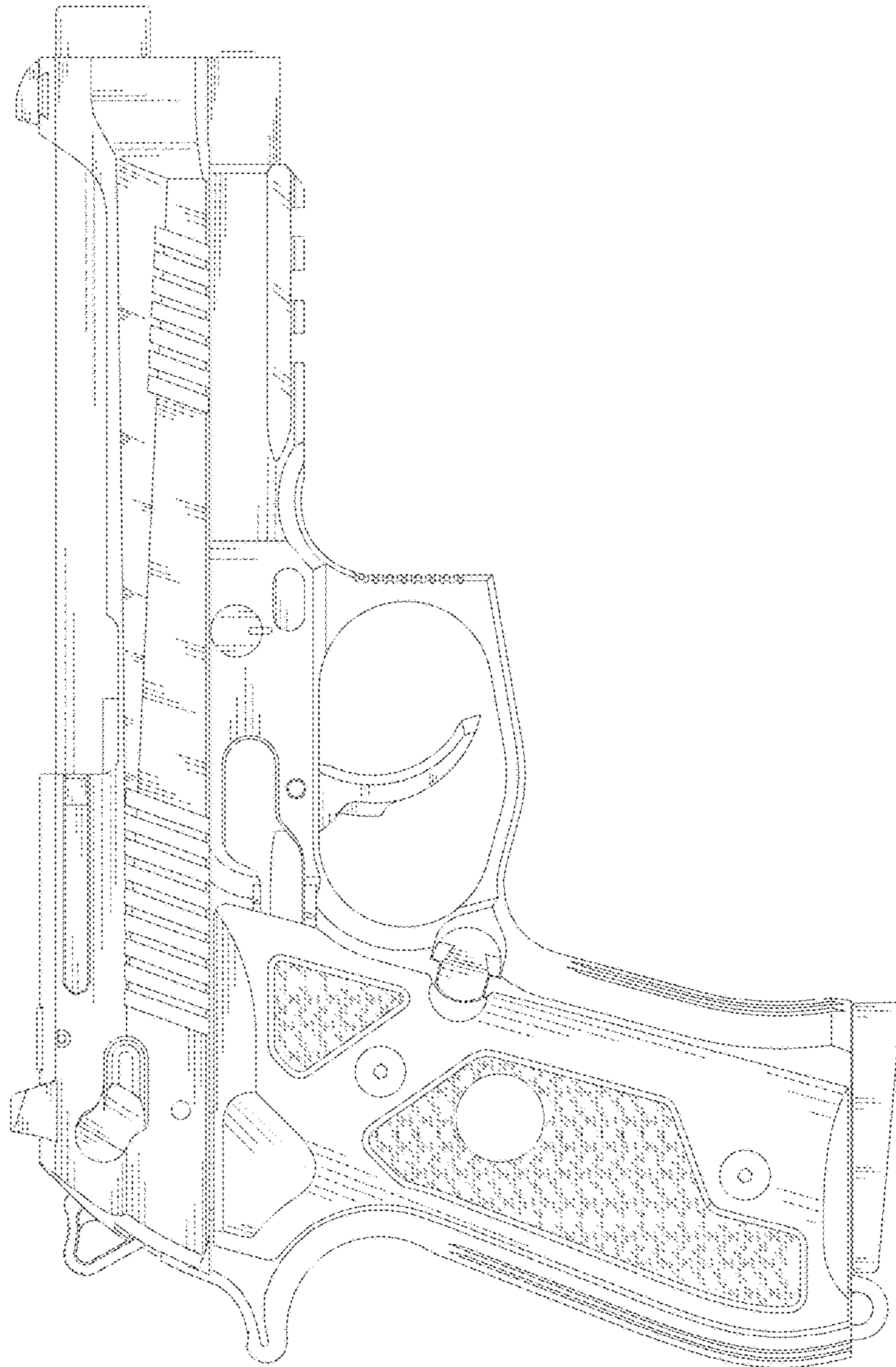


FIG.6

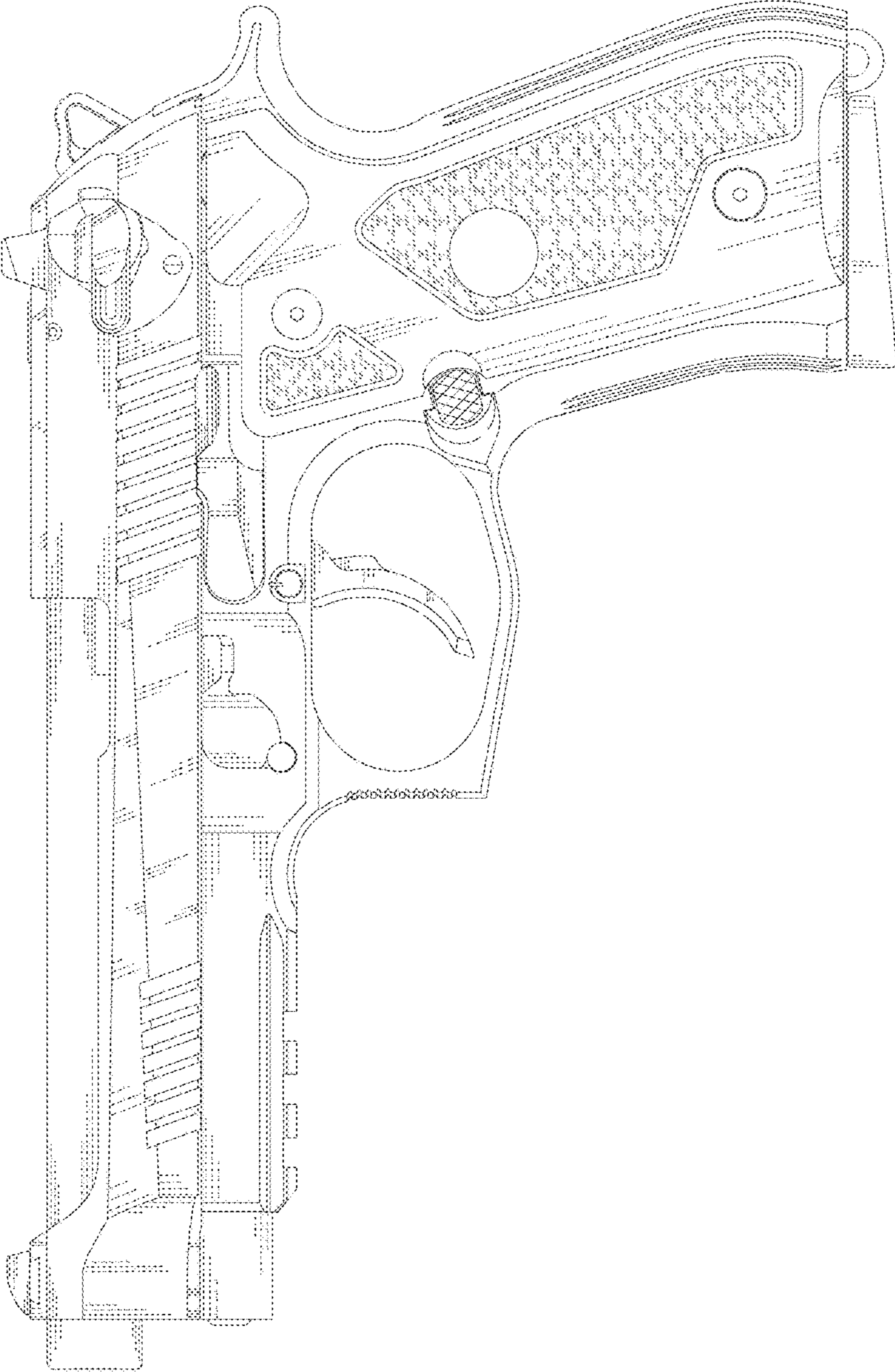


FIG.7



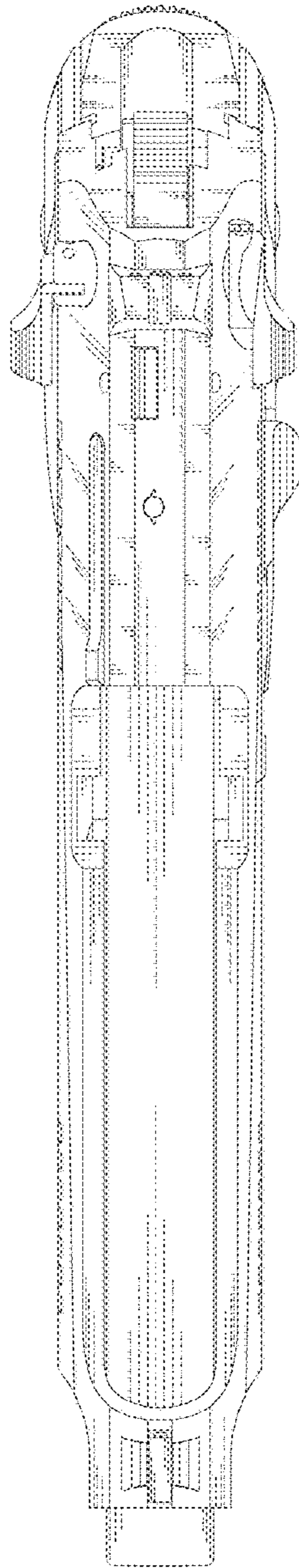


FIG. 8

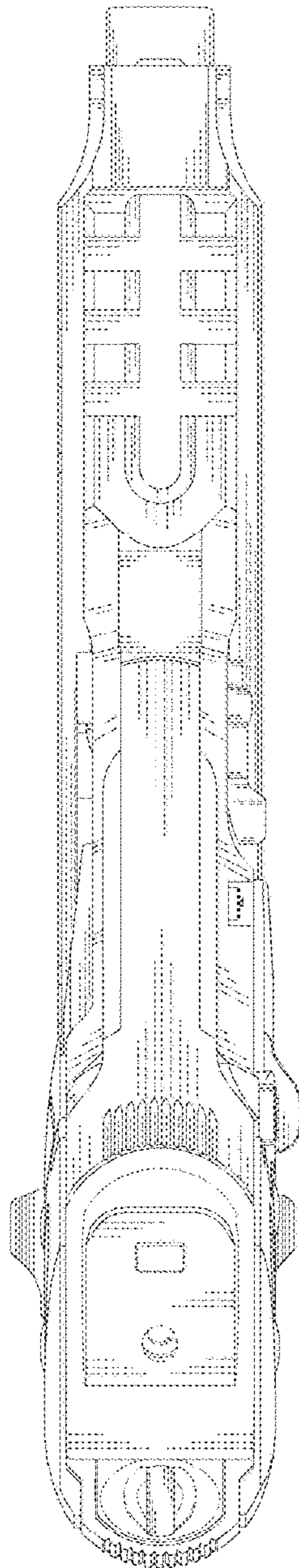


FIG. 9