

US00D839970S

(12) **United States Design Patent** (10) **Patent No.:** **US D839,970 S**
Chu (45) **Date of Patent:** **** Feb. 5, 2019**

(54) **TOY GUN**
 (71) Applicant: **I CHIH SHIVAN ENTERPRISE CO., LTD.**, Taichung (TW)
 (72) Inventor: **Chen Tang Chu**, Taichung (TW)
 (73) Assignee: **I CHIH SHIVAN ENTERPRISE CO., LTD.**, Taichung (TW)

D627,028 S *	11/2010	Coulombier	D22/104
D676,094 S *	2/2013	Hu	D21/574
D681,131 S *	4/2013	Su	D21/574
D688,764 S *	8/2013	Yigit	D22/104
D690,374 S *	9/2013	Lee	D21/574
D744,049 S *	11/2015	Chu	D21/574
D754,802 S *	4/2016	Martelli	D21/574
D755,324 S *	5/2016	Martelli	D22/104
D755,907 S *	5/2016	Hu	D21/574
D791,262 S *	7/2017	Brown	D22/104

(**) Term: **15 Years**

(21) Appl. No.: **29/585,913**

(22) Filed: **Nov. 30, 2016**

(51) **LOC (11) Cl.** **21-01**

(52) **U.S. Cl.**
USPC **D21/574; D22/104**

(58) **Field of Classification Search**
 USPC D21/567, 570-575; D22/100-104,
 D22/108-109; 124/41.1, 45, 49, 50, 51.1,
 124/55, 56, 69, 70-79, 80, 82
 CPC F41C 3/00; F41C 3/005; F41C 3/02; F41C
 3/04; F41C 3/06; F41C 3/14; F41C 3/16;
 F41C 9/02; F41C 9/04; F41C 9/06
 See application file for complete search history.

(56) **References Cited**

U.S. PATENT DOCUMENTS

D293,357 S *	12/1987	Ruger	D22/108
D583,896 S *	12/2008	McGarry	D22/104
D593,629 S *	6/2009	Bantle	D22/104
D598,065 S *	8/2009	Vukovic	D22/104

* cited by examiner

Primary Examiner — Robin V Webster

Assistant Examiner — Keith J Wilson

(74) *Attorney, Agent, or Firm* — Leong C. Lei

(57) **CLAIM**

The ornamental design for a toy gun, as shown and described.

DESCRIPTION

FIG. 1 is a front perspective view of a toy gun showing my new design;
 FIG. 2 is a rear perspective view thereof;
 FIG. 3 is a bottom perspective view thereof;
 FIG. 4 is a front elevational view thereof;
 FIG. 5 is a rear elevational view thereof;
 FIG. 6 is a left elevational view thereof;
 FIG. 7 is a right elevational view thereof;
 FIG. 8 is a top plan view thereof; and,
 FIG. 9 is a bottom plan view thereof.

The broken lines shown represent portions of the toy gun that form no part of the claimed design.

1 Claim, 9 Drawing Sheets



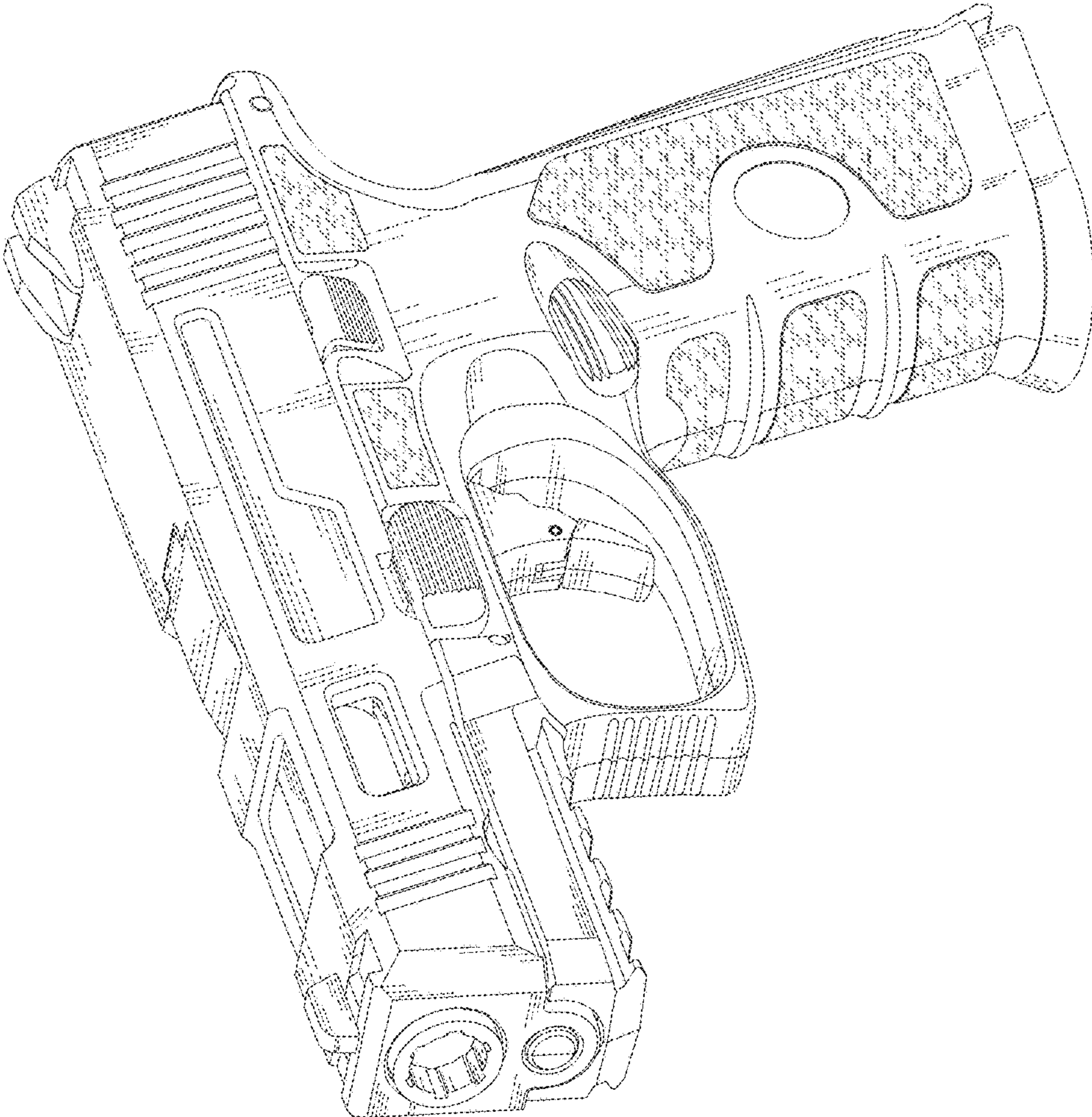


FIG.1

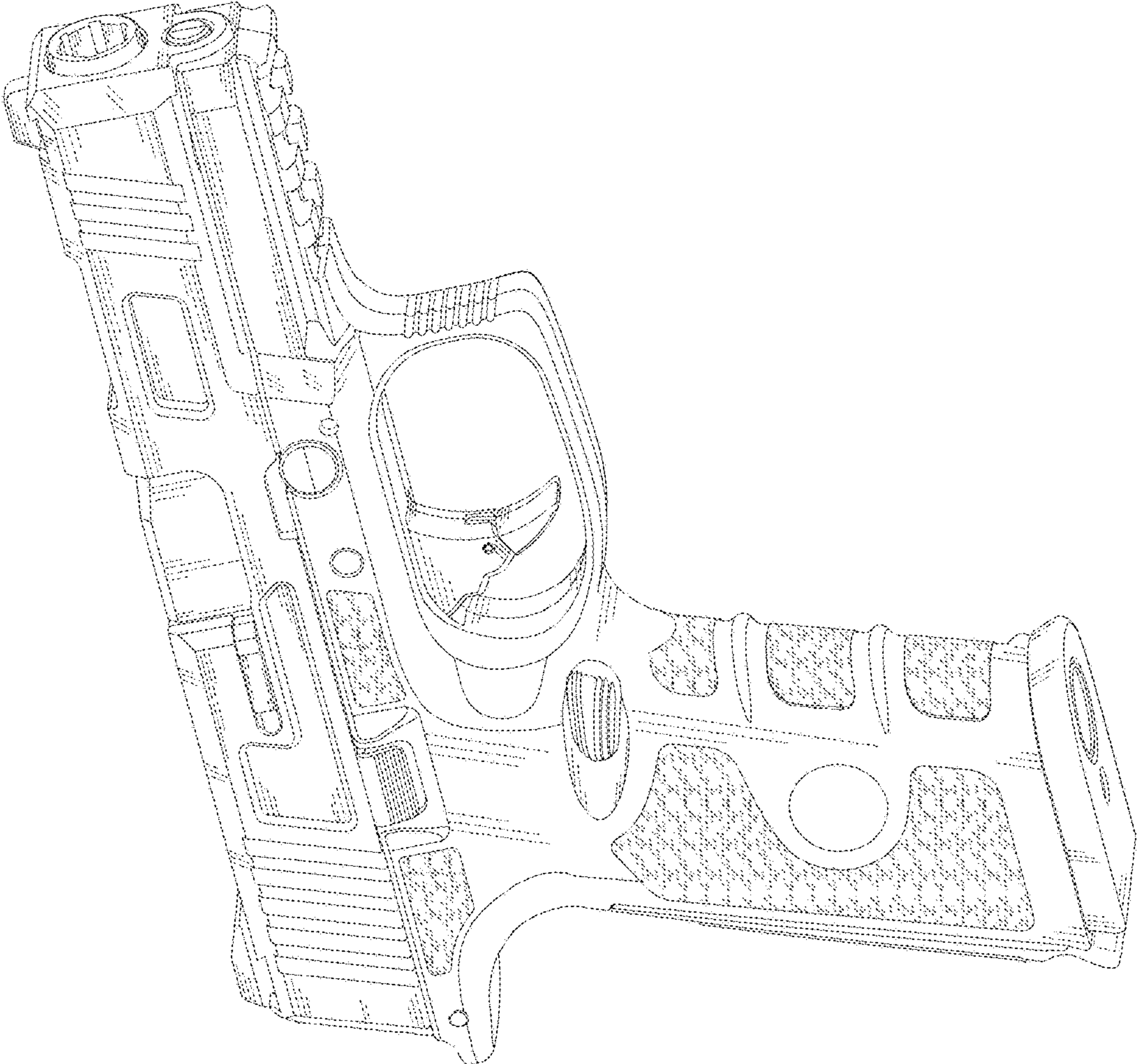


FIG.2

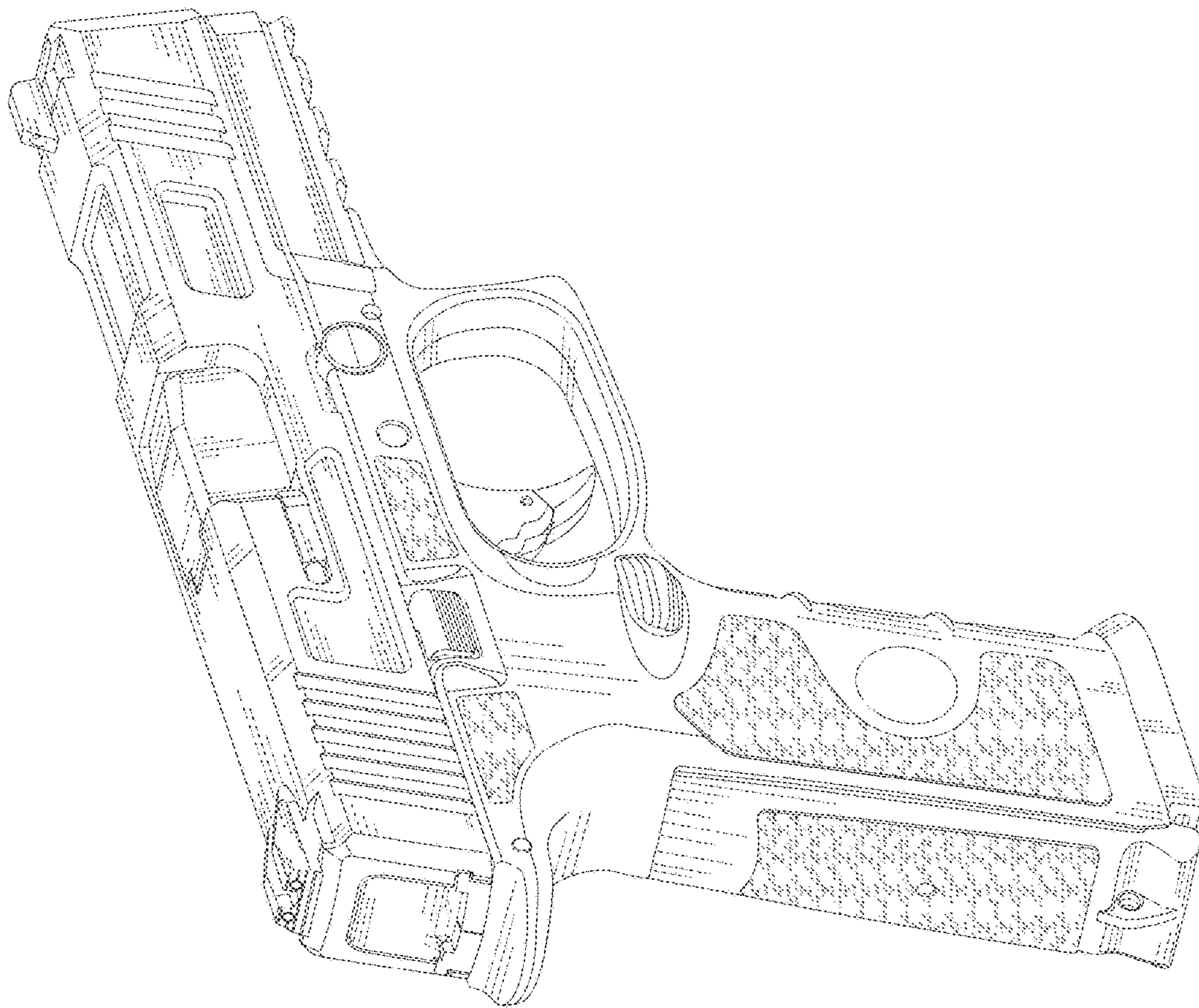


FIG.3

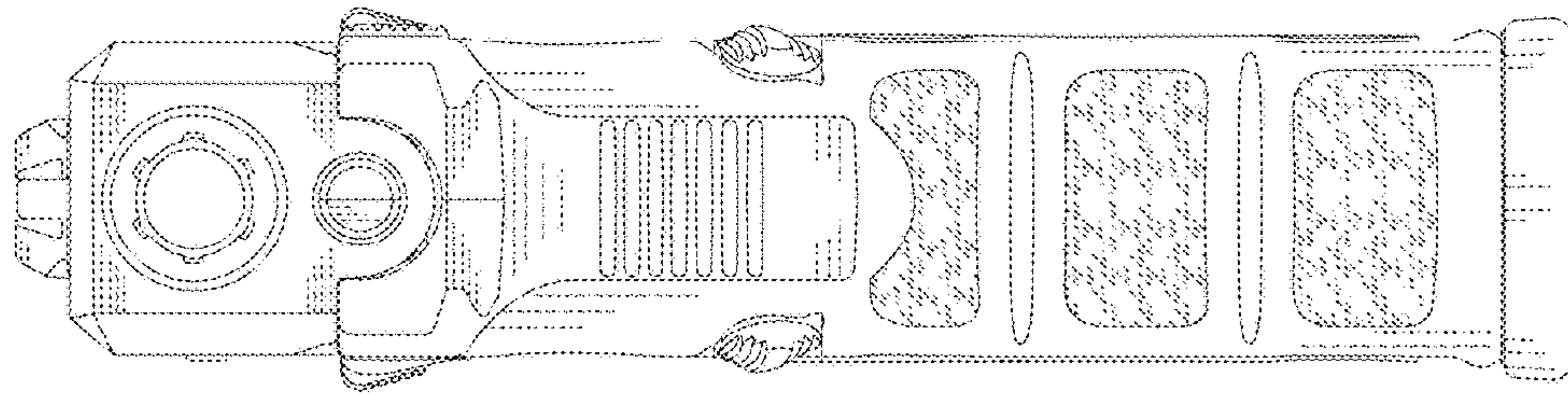


FIG. 4

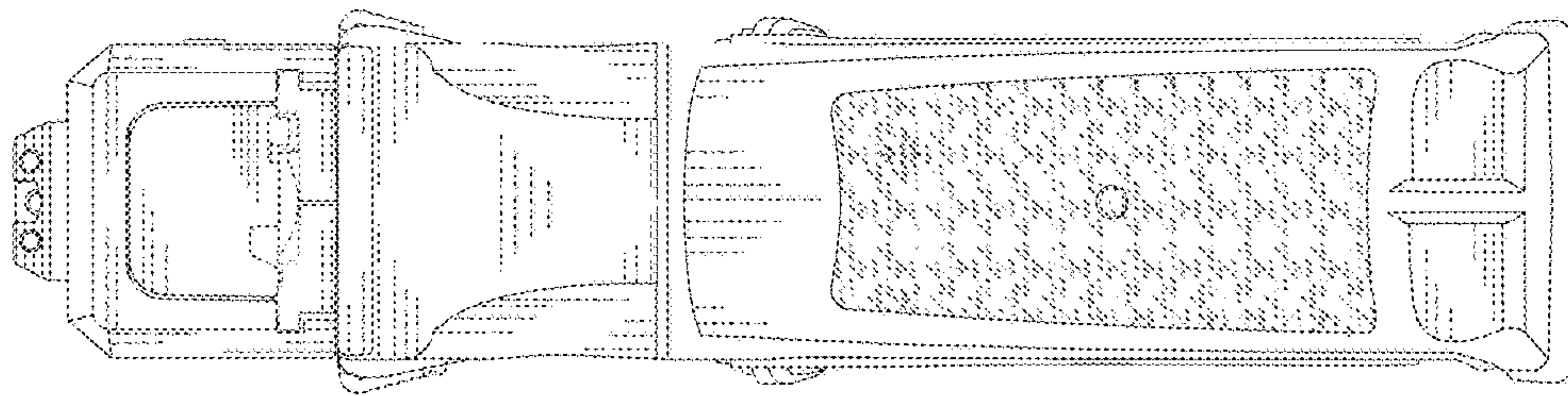


FIG. 5

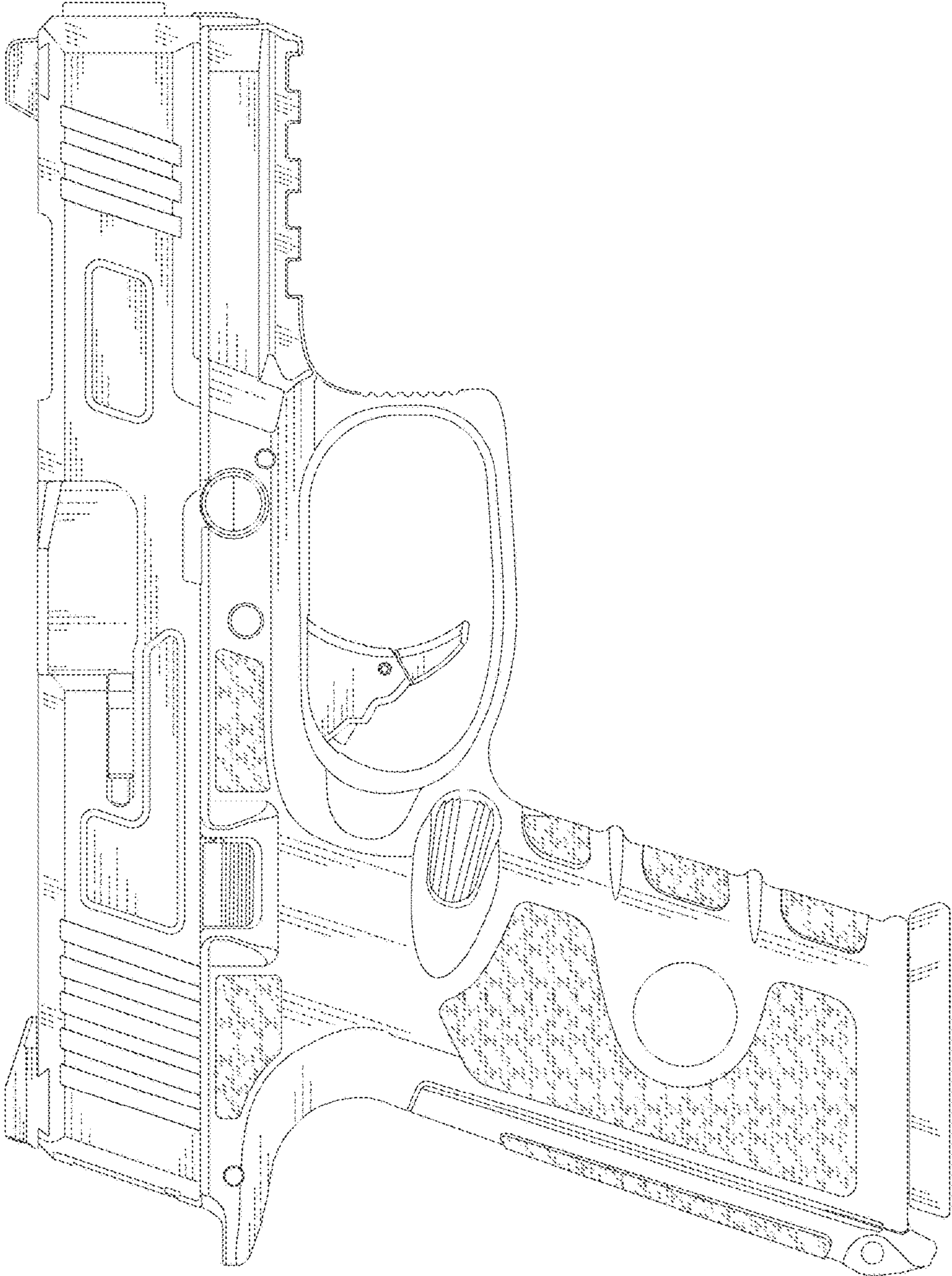


FIG.6

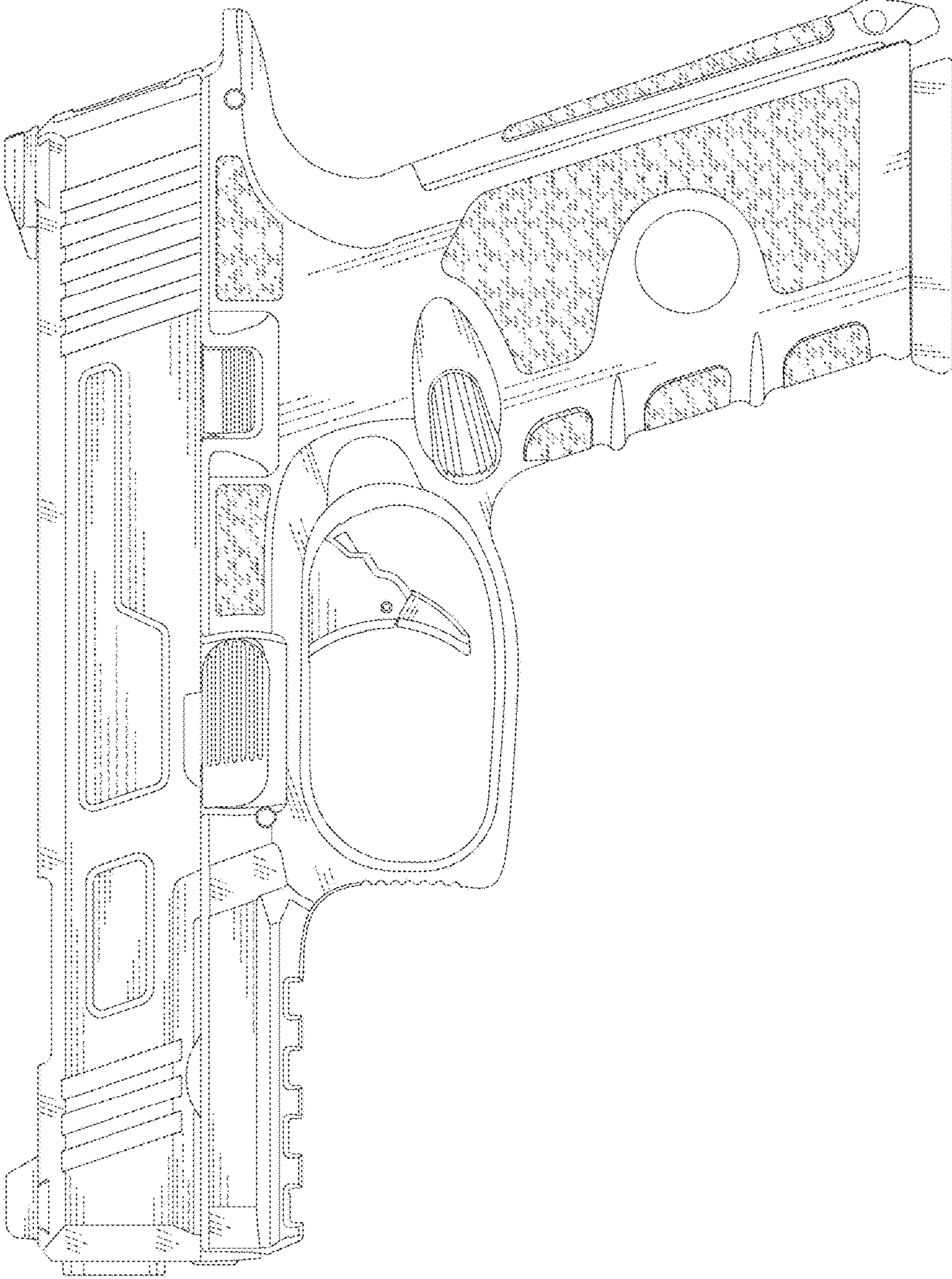


FIG. 7

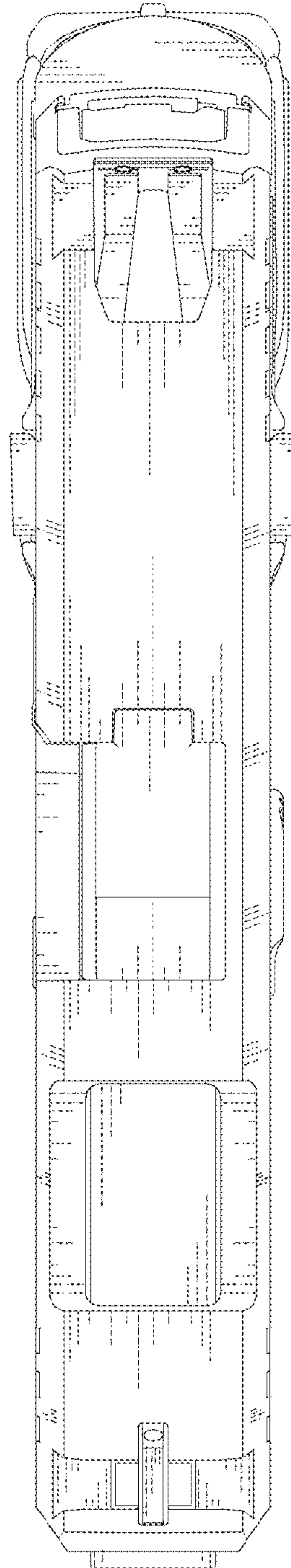


FIG. 8

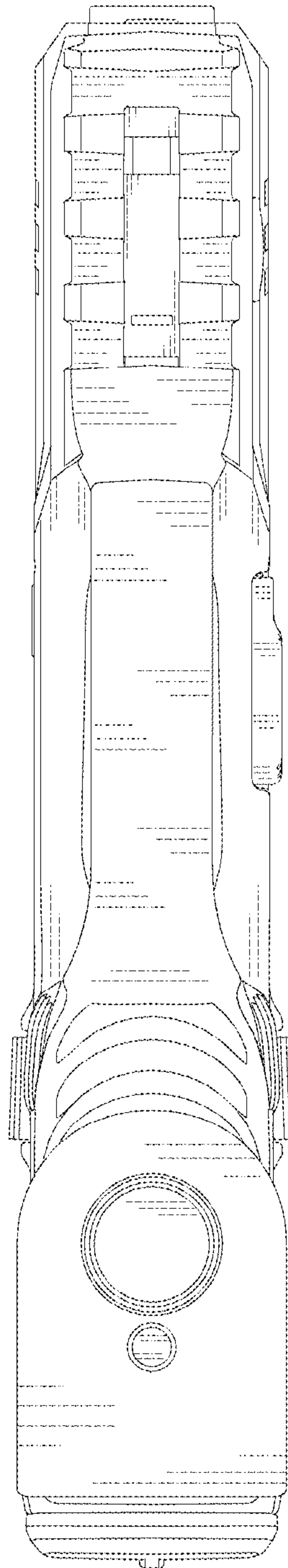


FIG. 9