

US00D839969S

(12) **United States Design Patent** (10) **Patent No.:** **US D839,969 S**
Kim et al. (45) **Date of Patent:** **** Feb. 5, 2019**

(54) **CONTROLLER**
(71) Applicant: **SZ DJI Technology Co., Ltd.**,
Shenzhen (CN)
(72) Inventors: **Min Kim**, Shenzhen (CN); **Haibin Zheng**, Shenzhen (CN)
(73) Assignee: **SZ DJI Technology Co., Ltd.**,
Shenzhen (CN)
(**) Term: **15 Years**

D546,904 S * 7/2007 Bowen D21/566
D582,308 S * 12/2008 Kajita D10/94
D605,237 S * 12/2009 Uemura D21/566
D631,922 S * 2/2011 Kang D21/453
D707,758 S * 6/2014 Norman D14/401
D711,878 S * 8/2014 Bellinghausen D14/401
D712,982 S * 9/2014 Barajas D21/566
D723,705 S * 3/2015 Mininger et al.
D735,721 S * 8/2015 Mar D14/401
D749,527 S * 2/2016 Li
D782,581 S * 3/2017 Barajas D21/566
D784,989 S * 4/2017 Kujawski D14/401

(Continued)

(21) Appl. No.: **29/590,870**
(22) Filed: **Jan. 13, 2017**

FOREIGN PATENT DOCUMENTS

CN 300936145D 6/2009
CN 301012935D 9/2009
CN 301996446 S 7/2012

(Continued)

Related U.S. Application Data

(63) Continuation of application No. 29/564,618, filed on
May 13, 2016.
(51) **LOC (11) Cl.** **21-01**
(52) **U.S. Cl.**
USPC **D21/566**; D21/333; D14/401
(58) **Field of Classification Search**
USPC D14/218, 349, 401, 480.5; D13/168,
D13/173, 162, 162.1, 166, 171, 174;
D21/333, 566
CPC H03J 1/0025; H03J 9/00; H03J 9/02; H03J
9/04; H03J 9/06; H04B 1/202; G05B
11/01; A63H 17/262; A63H 30/04; A63H
29/00; A63F 13/06
See application file for complete search history.

Primary Examiner — Cynthia M. Chin
(74) *Attorney, Agent, or Firm* — Sterne, Kessler,
Goldstein & Fox P.L.L.C.

(57) **CLAIM**

The ornamental design for a controller, as shown and described.

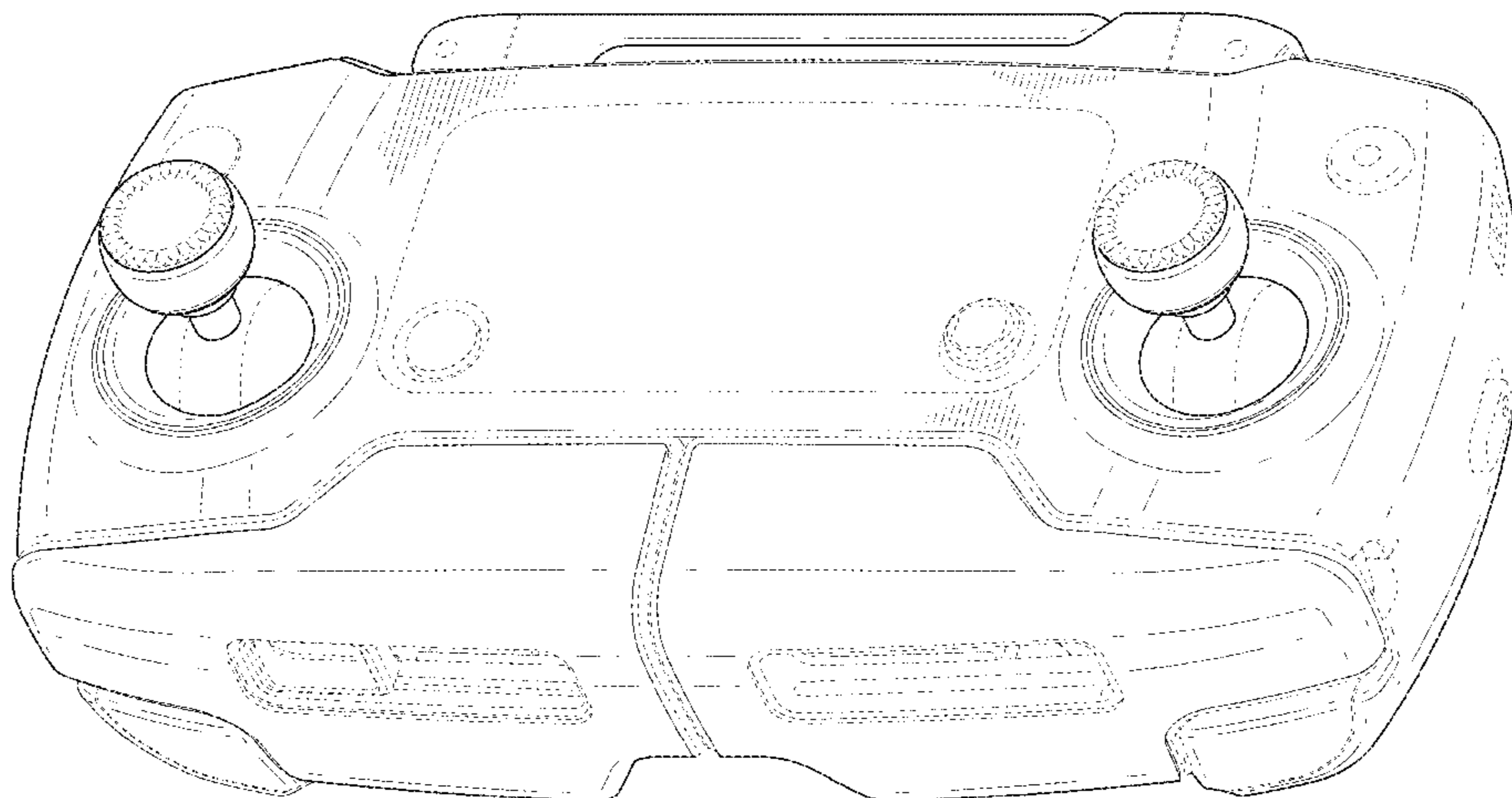
DESCRIPTION

FIG. 1 is a bottom front perspective view of a controller showing the claimed design;
FIG. 2 is a top rear perspective view thereof;
FIG. 3 is a front view thereof;
FIG. 4 is a rear view thereof;
FIG. 5 is a right side view thereof;
FIG. 6 is a left side view thereof;
FIG. 7 is a top view thereof; and,
FIG. 8 is a bottom view thereof.
The broken lines in the figures show portions of the controller that form no part of the claimed design.

(56) **References Cited**
U.S. PATENT DOCUMENTS

D381,961 S * 8/1997 Watanabe D13/168
D435,552 S * 12/2000 Dougan D14/401
D478,590 S * 8/2003 Hussaini D14/401
D504,430 S * 4/2005 Takahashi D14/401
D543,952 S * 6/2007 Wu D13/168

1 Claim, 7 Drawing Sheets



(56)

References Cited

U.S. PATENT DOCUMENTS

D799,599 S * 10/2017 Kujawski D21/333

FOREIGN PATENT DOCUMENTS

CN	302063804 S	9/2012
CN	302190300 S	11/2012
CN	302497878 S	7/2013
CN	302560845 S	9/2013
CN	302641200 S	11/2013
CN	302993345 S	11/2014
CN	303000243 S	11/2014
CN	303082699 S	1/2015
CN	303329717 S	8/2015
CN	303348016 S	8/2015
CN	303532139 S	12/2015
CN	303542402 S	1/2016
CN	303655383 S	4/2016

* cited by examiner

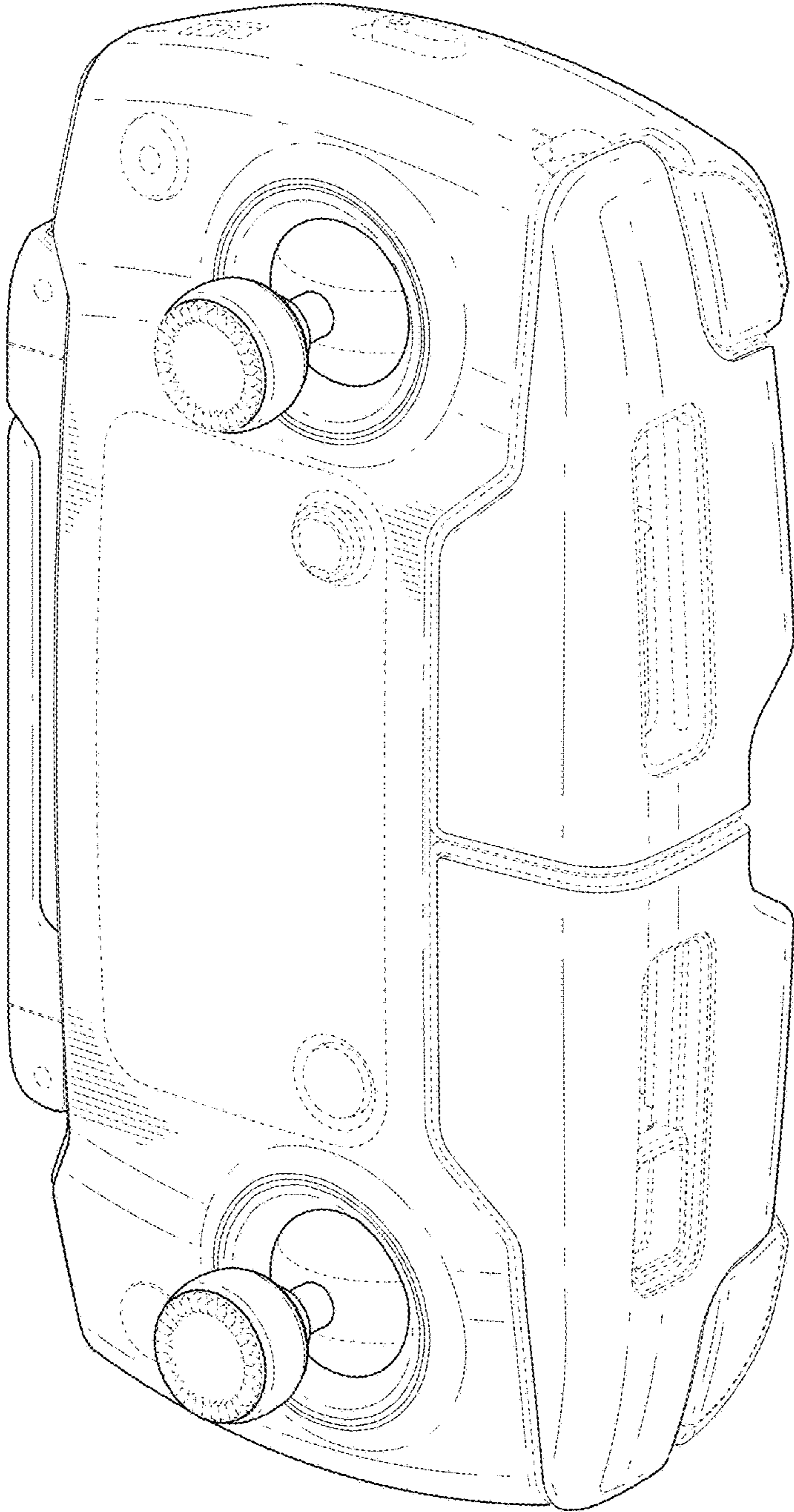


FIG. 1

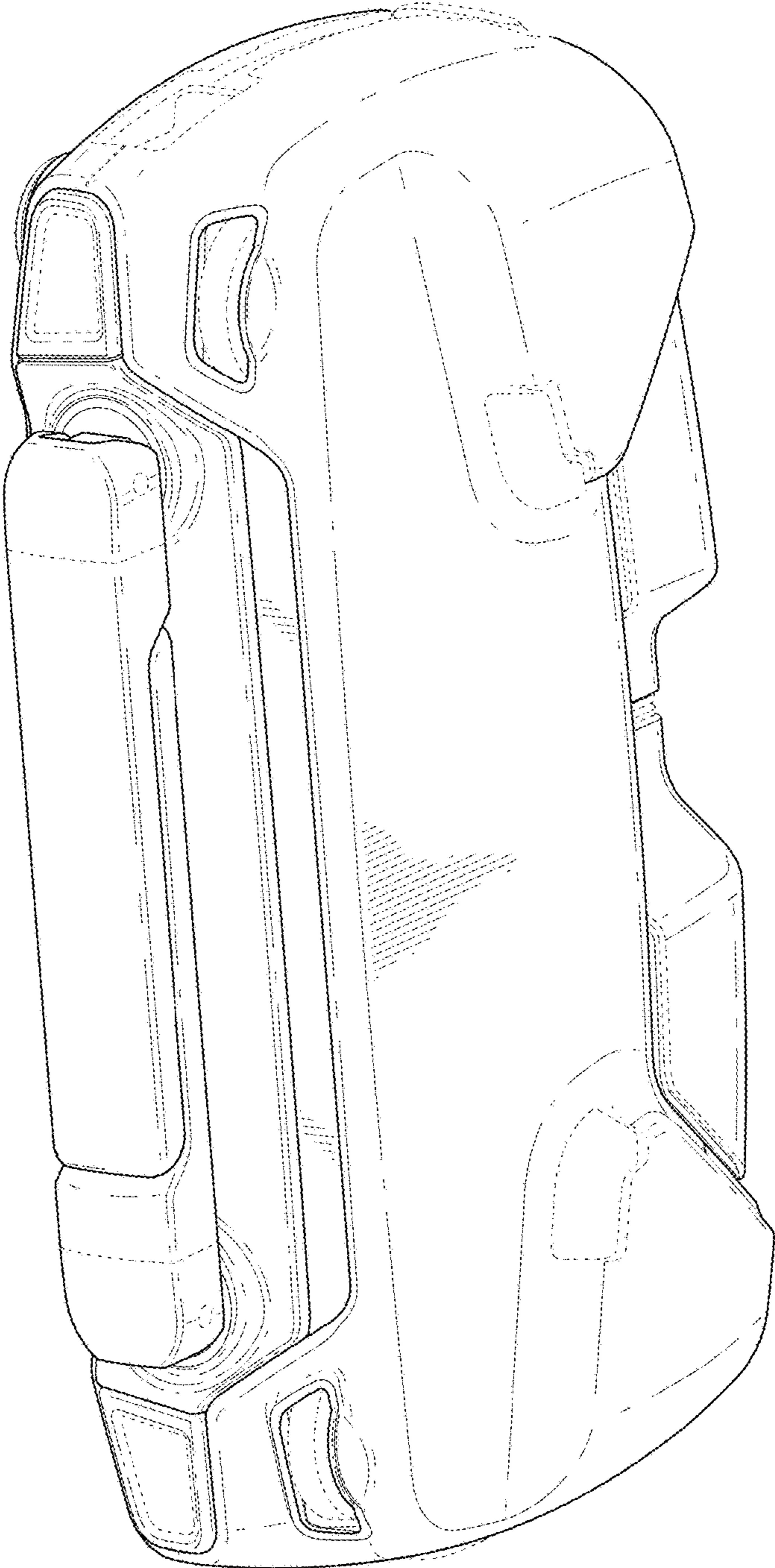


FIG. 2

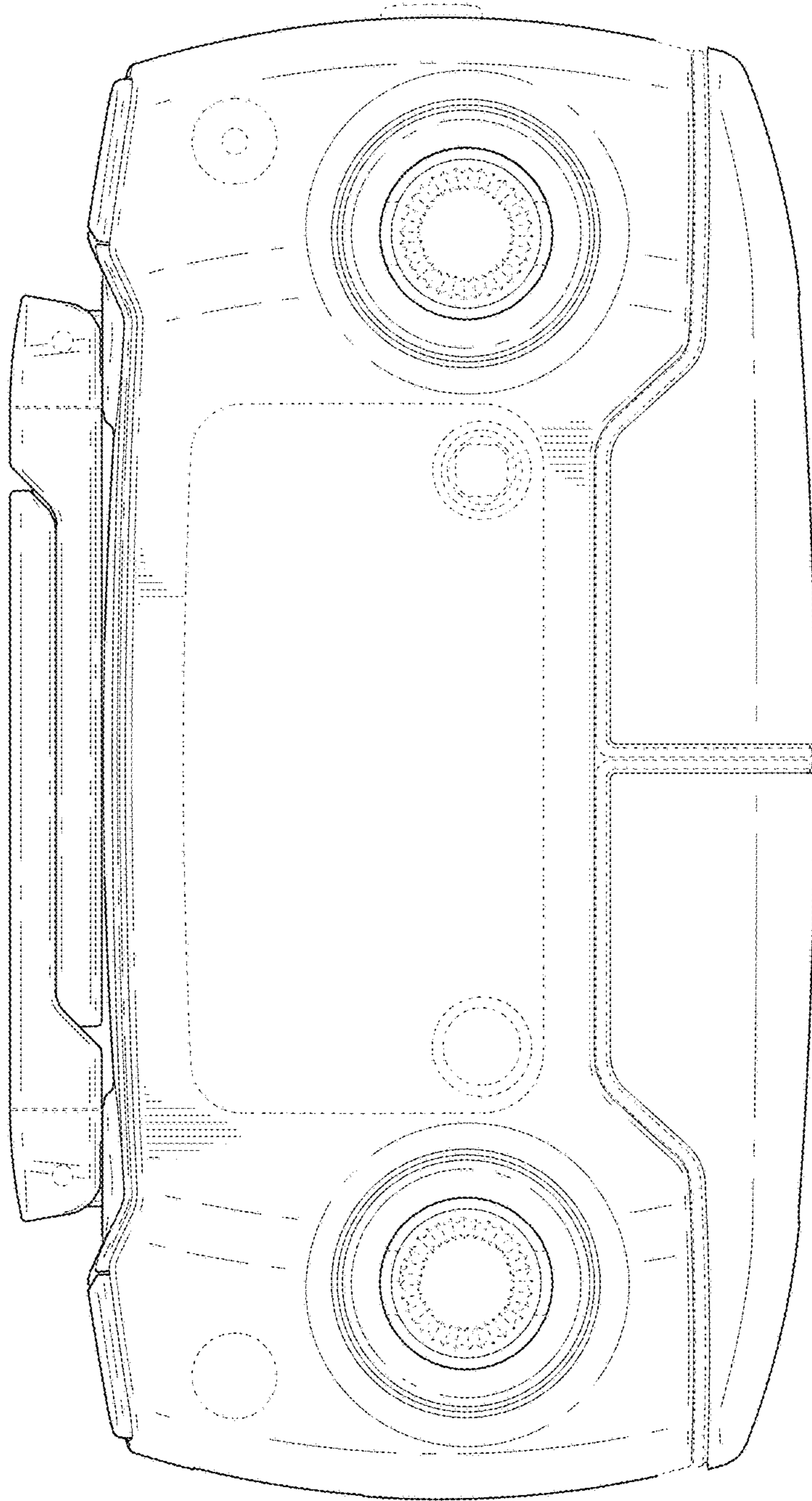


FIG. 3

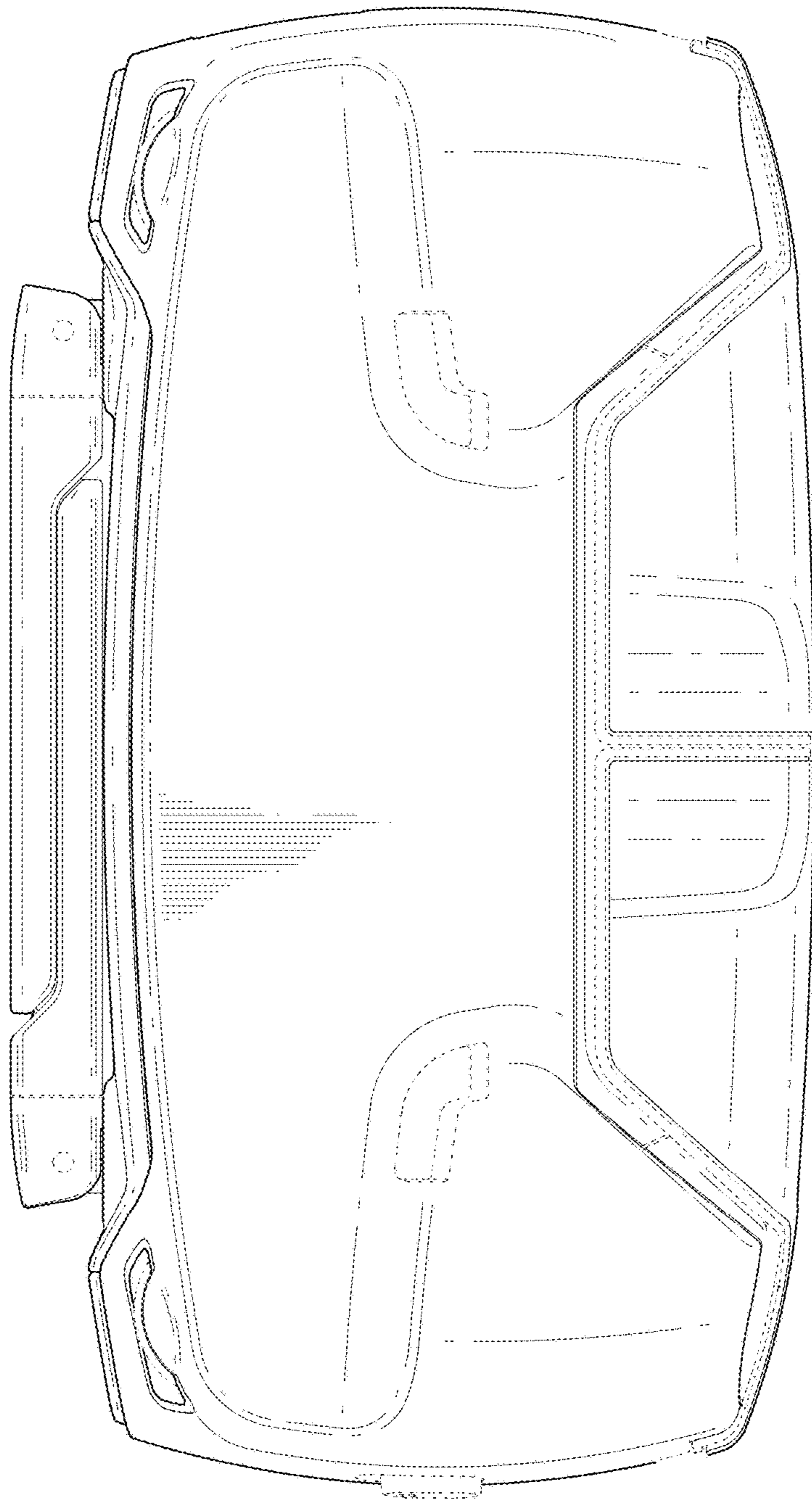


FIG. 4

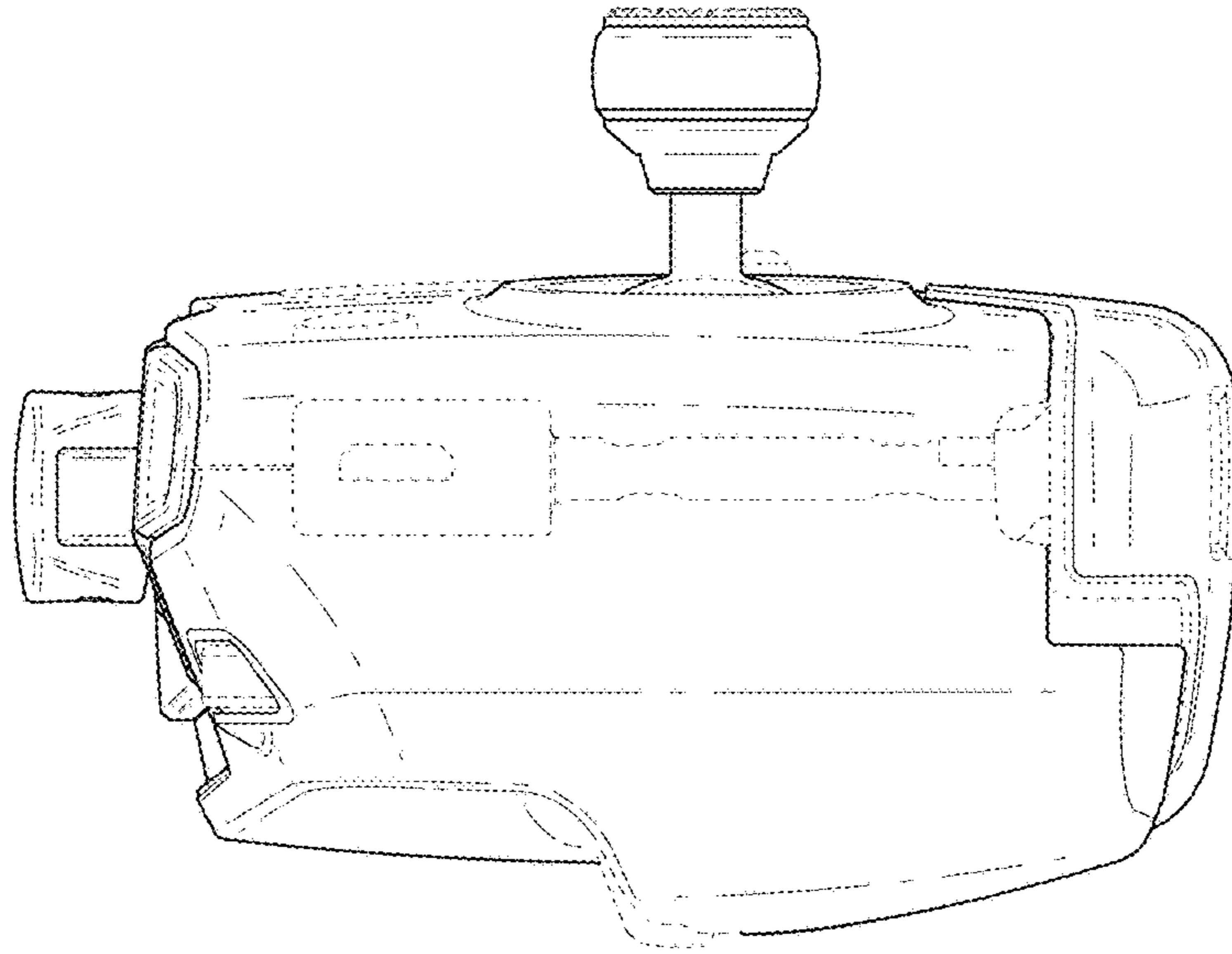


FIG. 6

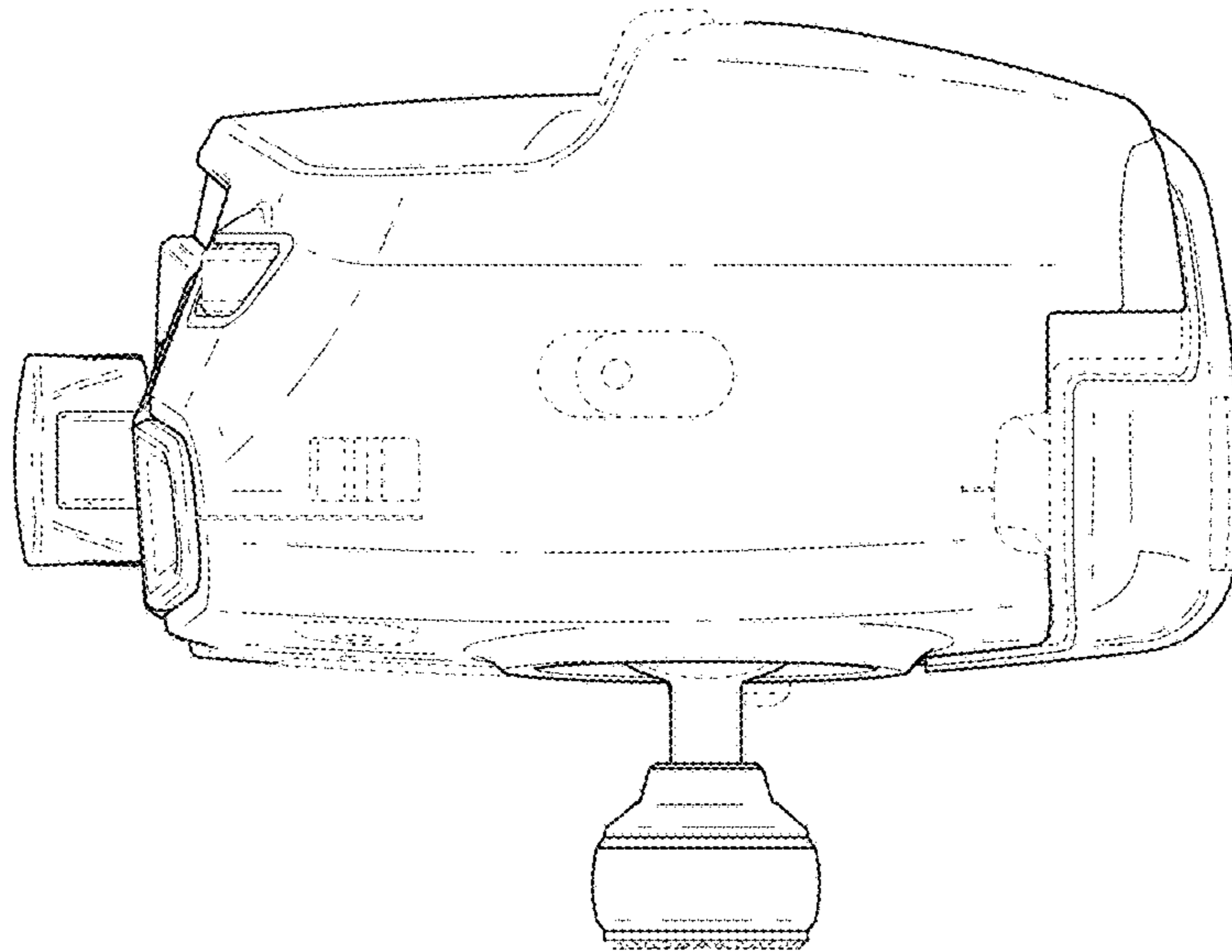


FIG. 5

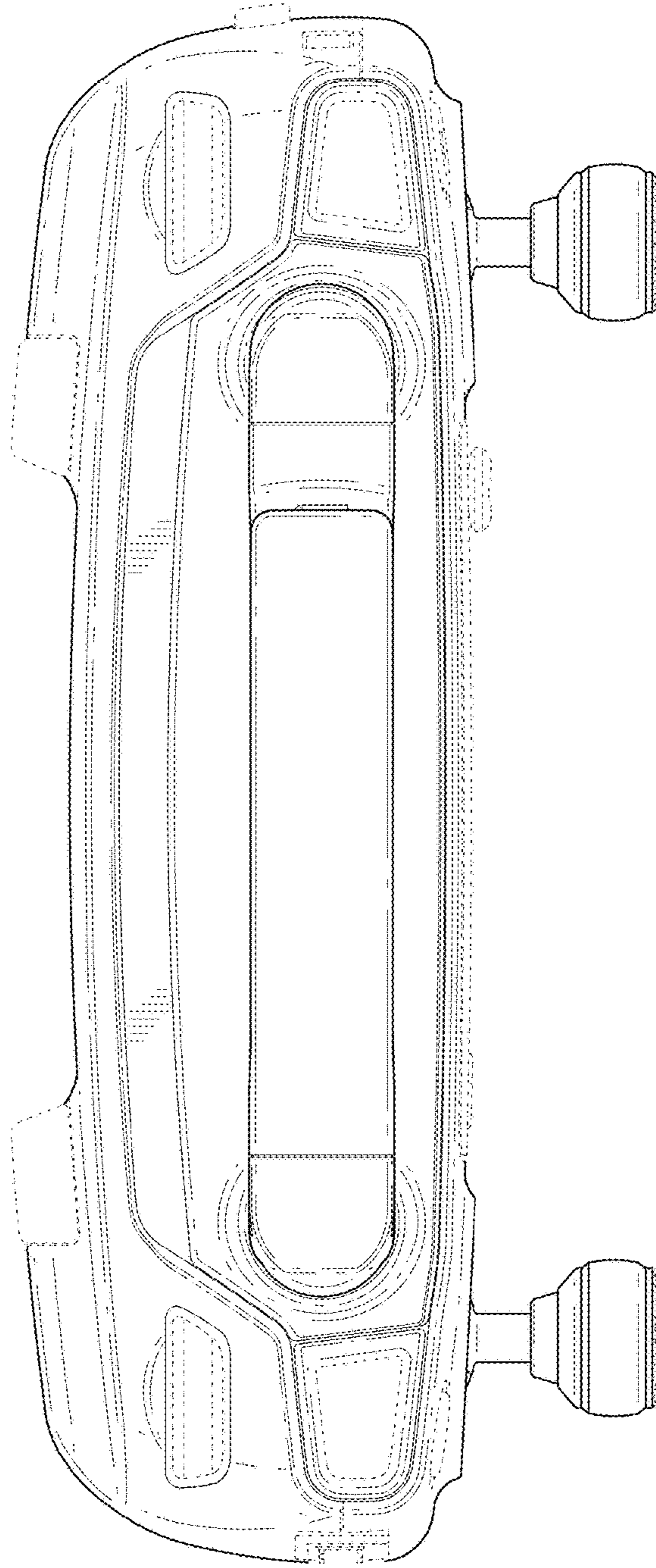


FIG. 7

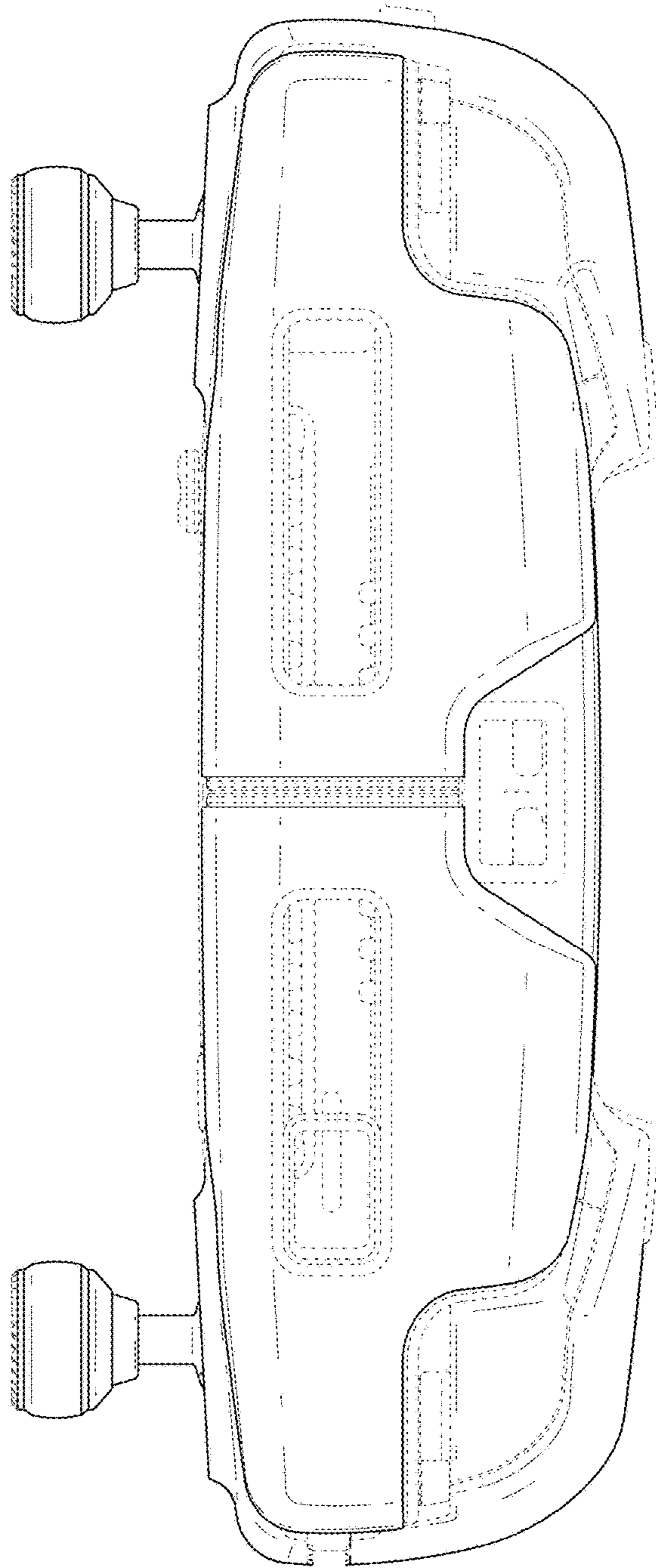


FIG. 8