



US00D839967S

(12) **United States Design Patent**
Horikoshi

(10) **Patent No.:** **US D839,967 S**
(45) **Date of Patent:** **** Feb. 5, 2019**

(54) **SPINNING TOP TOY**
(71) Applicant: **TOMY COMPANY, LTD.**, Tokyo (JP)
(72) Inventor: **Kenji Horikoshi**, Tokyo (JP)
(73) Assignee: **TOMY COMPANY, LTD.**, Tokyo (JP)
(**) Term: **15 Years**
(21) Appl. No.: **29/627,666**
(22) Filed: **Nov. 29, 2017**

D666,252 S * 8/2012 Ujita D21/460
D666,253 S * 8/2012 Ujita D21/460
D827,046 S * 8/2018 Horikoshi D21/460
D828,456 S * 9/2018 Muraki D21/460

FOREIGN PATENT DOCUMENTS

CN 301872977 * 3/2012
CN 301877951 * 4/2012
CN 302300475 * 1/2013
EM 003047489-0003 * 4/2016
EM 003253442-0008 * 7/2016
JP D1549751 * 5/2016
WO D098063-002 * 10/2017

* cited by examiner

(30) **Foreign Application Priority Data**
Jun. 20, 2017 (JP) 2017-013258
(51) **LOC (11) Cl.** **21-01**
(52) **U.S. Cl.**
USPC **D21/460**
(58) **Field of Classification Search**
USPC D21/455-464; 446/236-266
CPC A63H 1/00-1/32
See application file for complete search history.

Primary Examiner — Catherine A Tuttle
(74) *Attorney, Agent, or Firm* — Staas & Halsey LLP

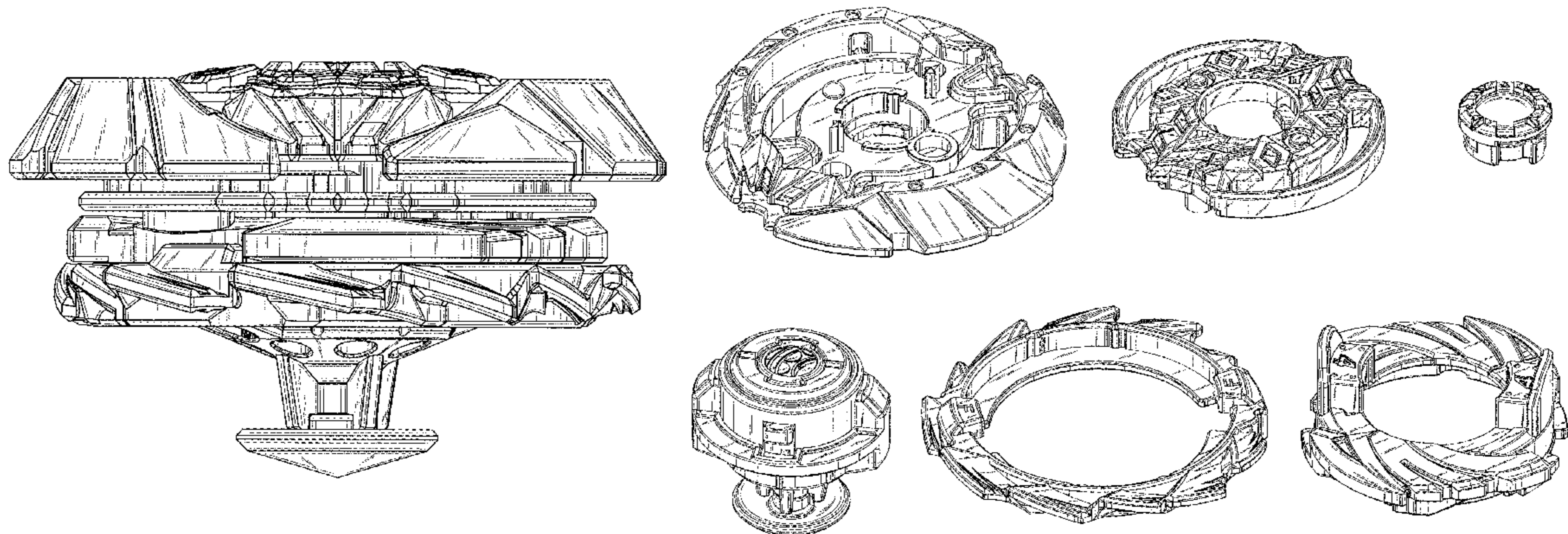
(57) **CLAIM**
The ornamental design for a spinning top toy, as shown.

DESCRIPTION

FIG. 1 is a front view of the spinning top toy showing my design;
FIG. 2 is a left side view thereof;
FIG. 3 is a rear view thereof;
FIG. 4 is a right side view thereof;
FIG. 5 is a top view thereof;
FIG. 6 is a bottom view thereof;
FIG. 7 is a perspective view thereof; and,
FIG. 8 is a disassembled perspective view thereof.

1 Claim, 8 Drawing Sheets

(56) **References Cited**
U.S. PATENT DOCUMENTS
D629,051 S * 12/2010 Nishimoto D21/460
D629,468 S * 12/2010 Ujita D21/460
D629,469 S * 12/2010 Nishimoto D21/460
D629,848 S * 12/2010 Ujita D21/460
D646,729 S * 10/2011 Ujita D21/460
D662,556 S * 6/2012 Horikoshi D21/460
D665,859 S * 8/2012 Horikoshi D21/460



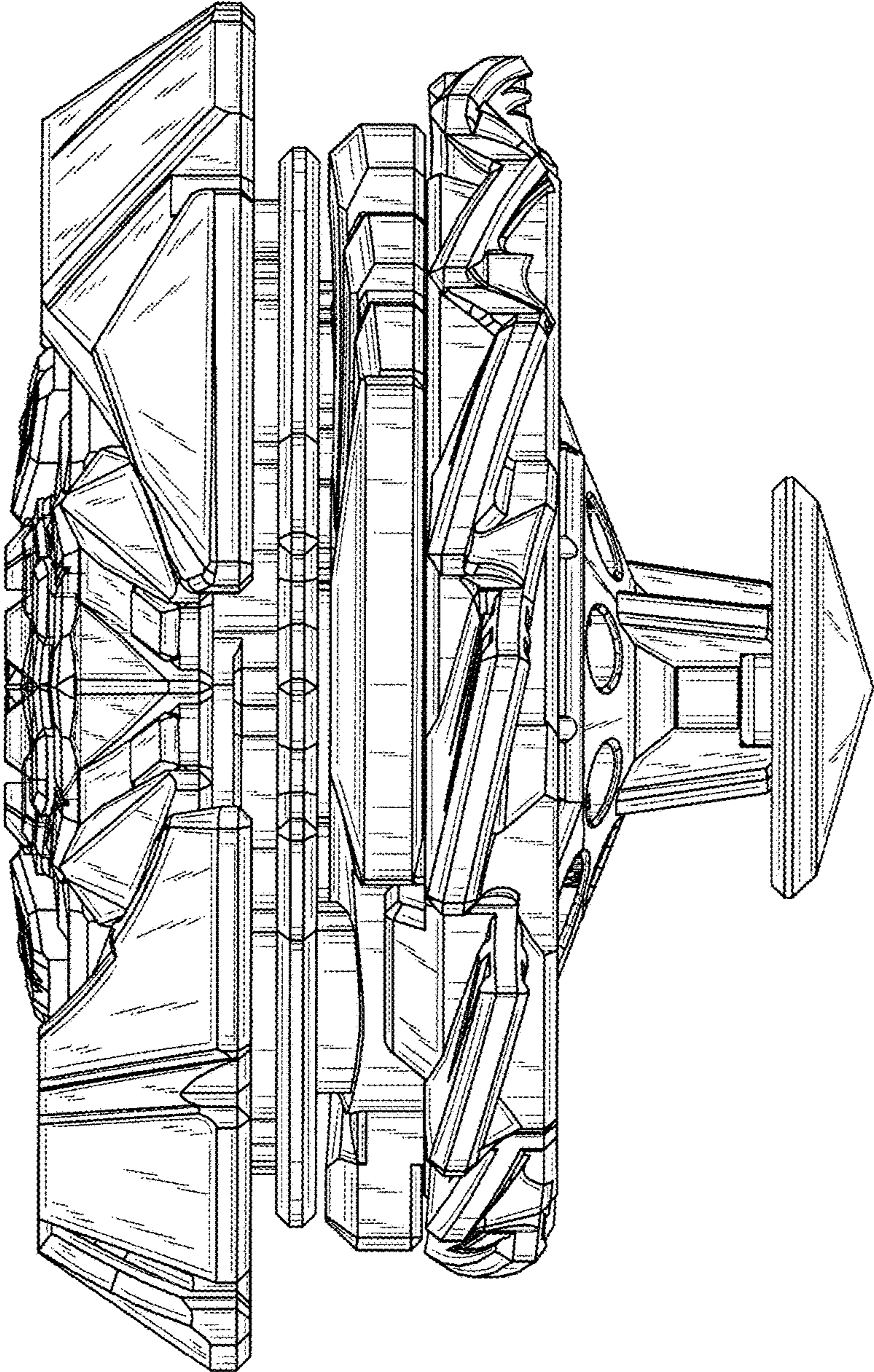


FIG. 1

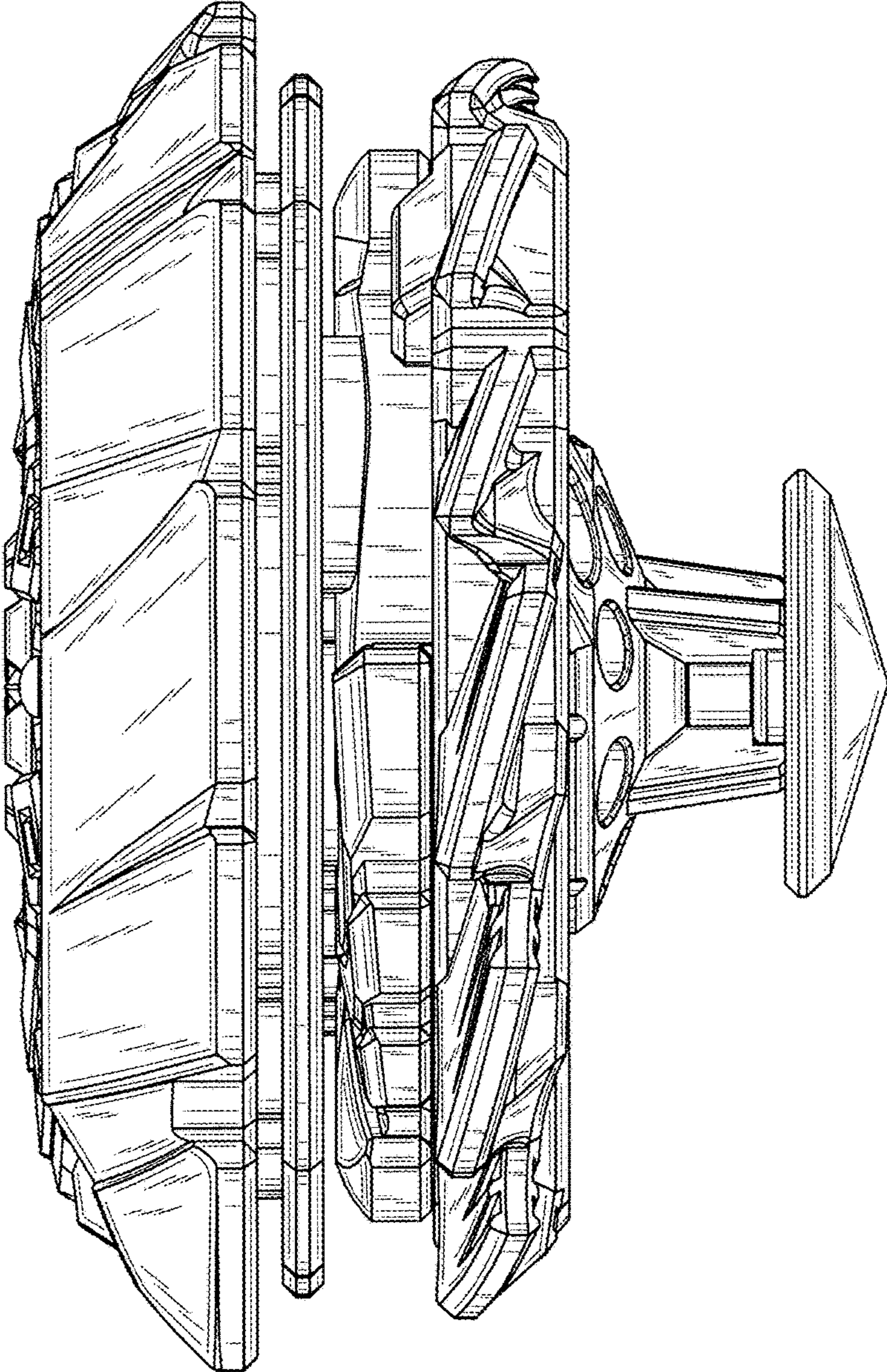


FIG. 2

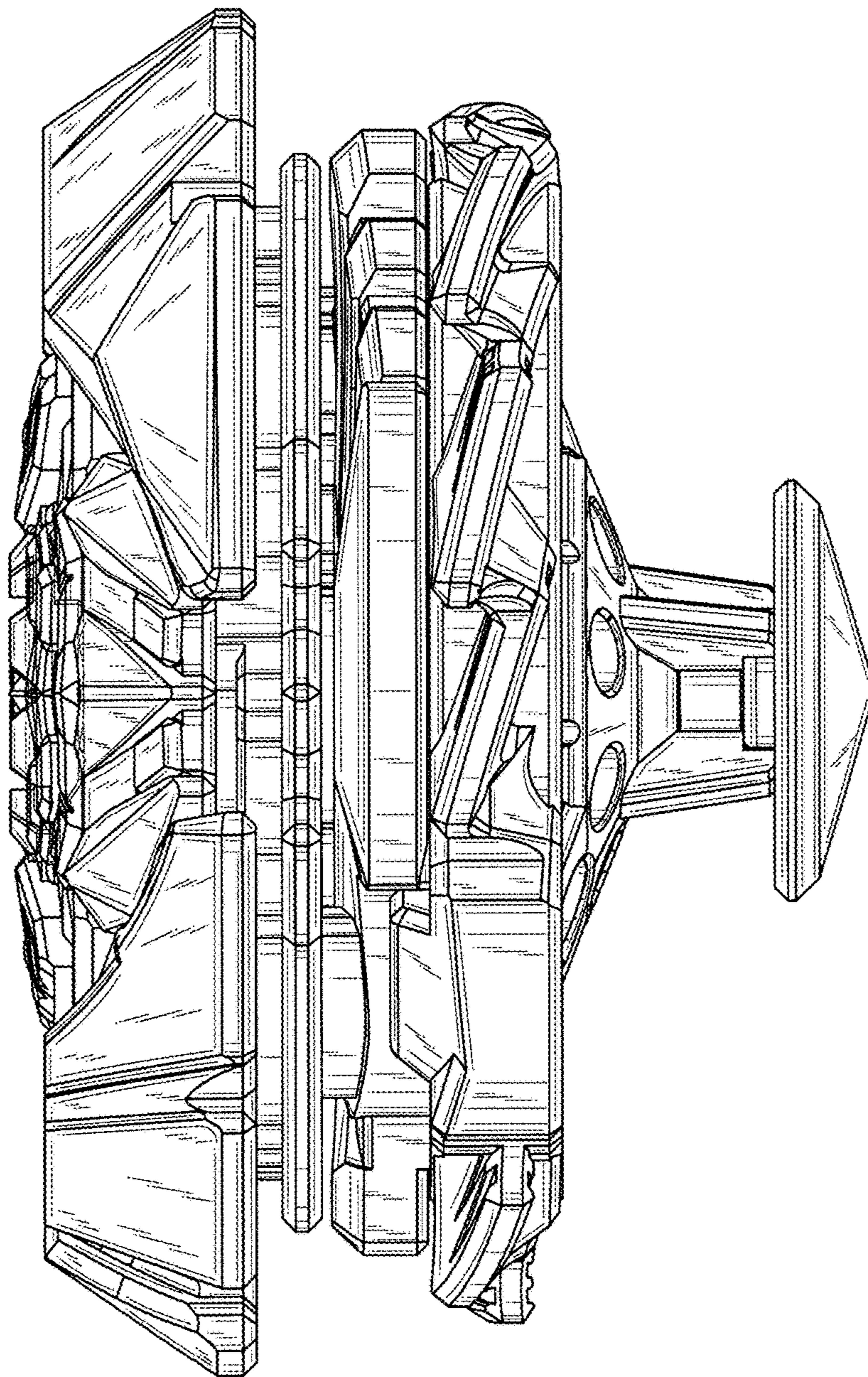


FIG. 3

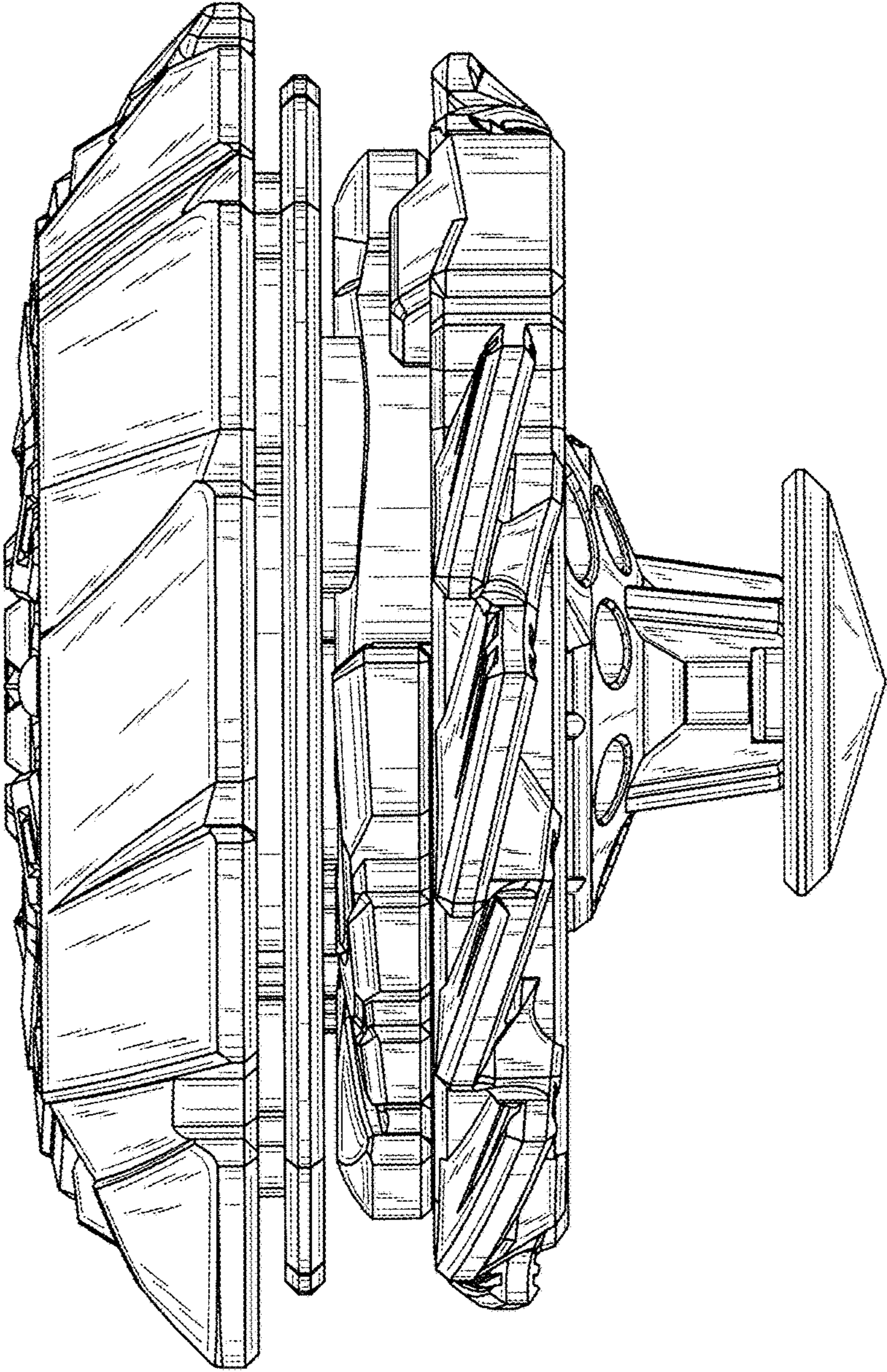


FIG. 4

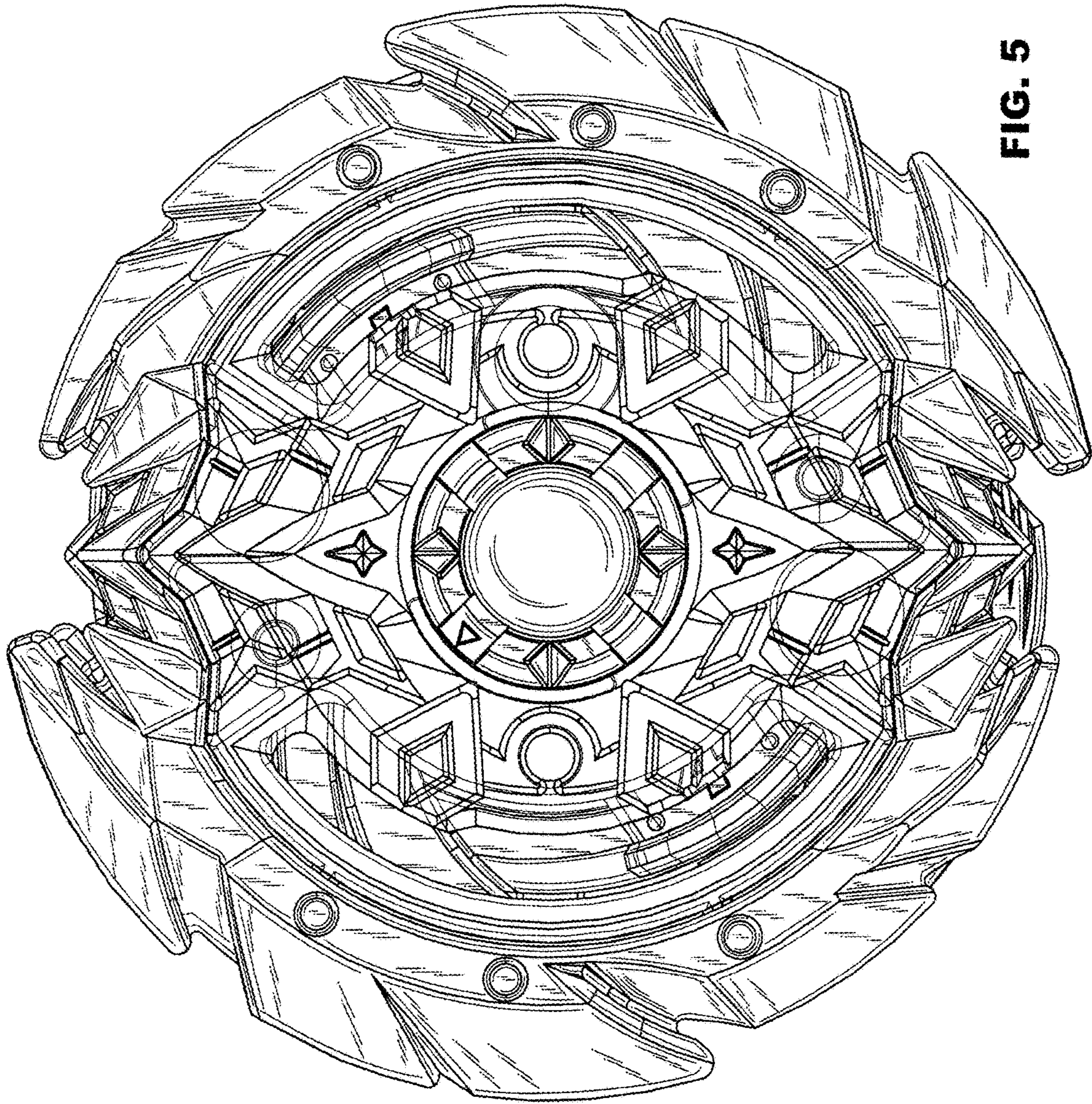


FIG. 5

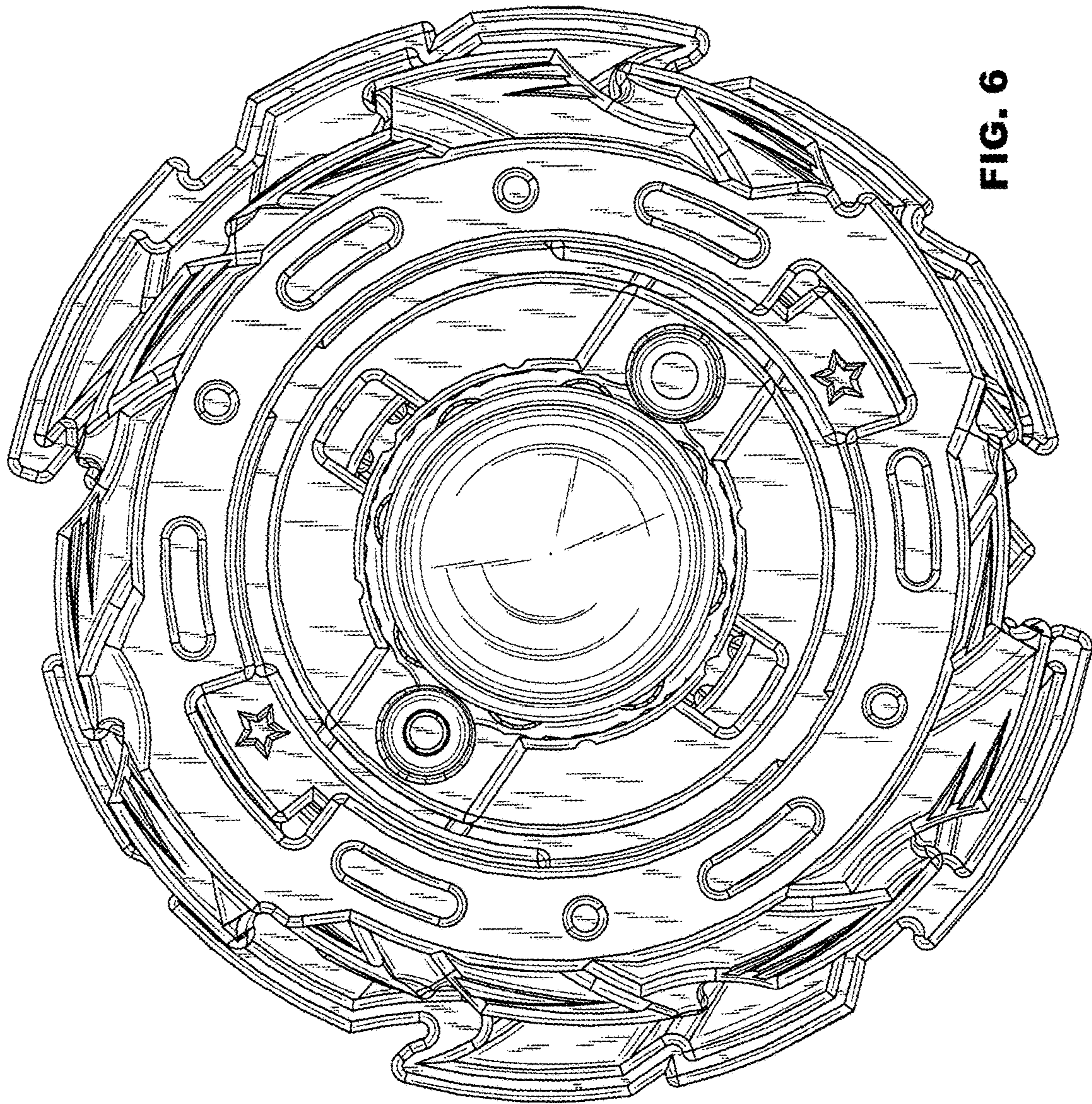


FIG. 6

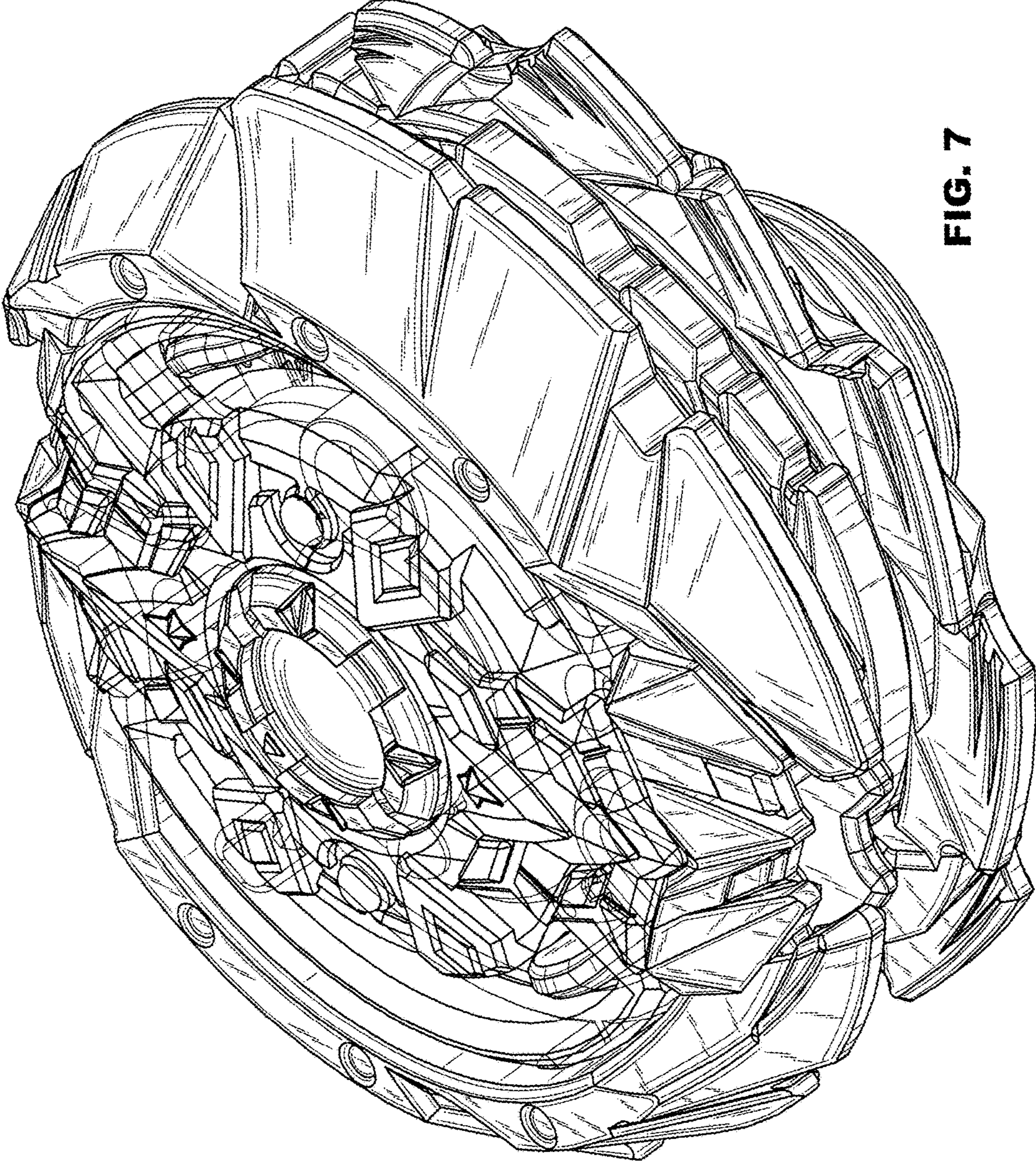


FIG. 7

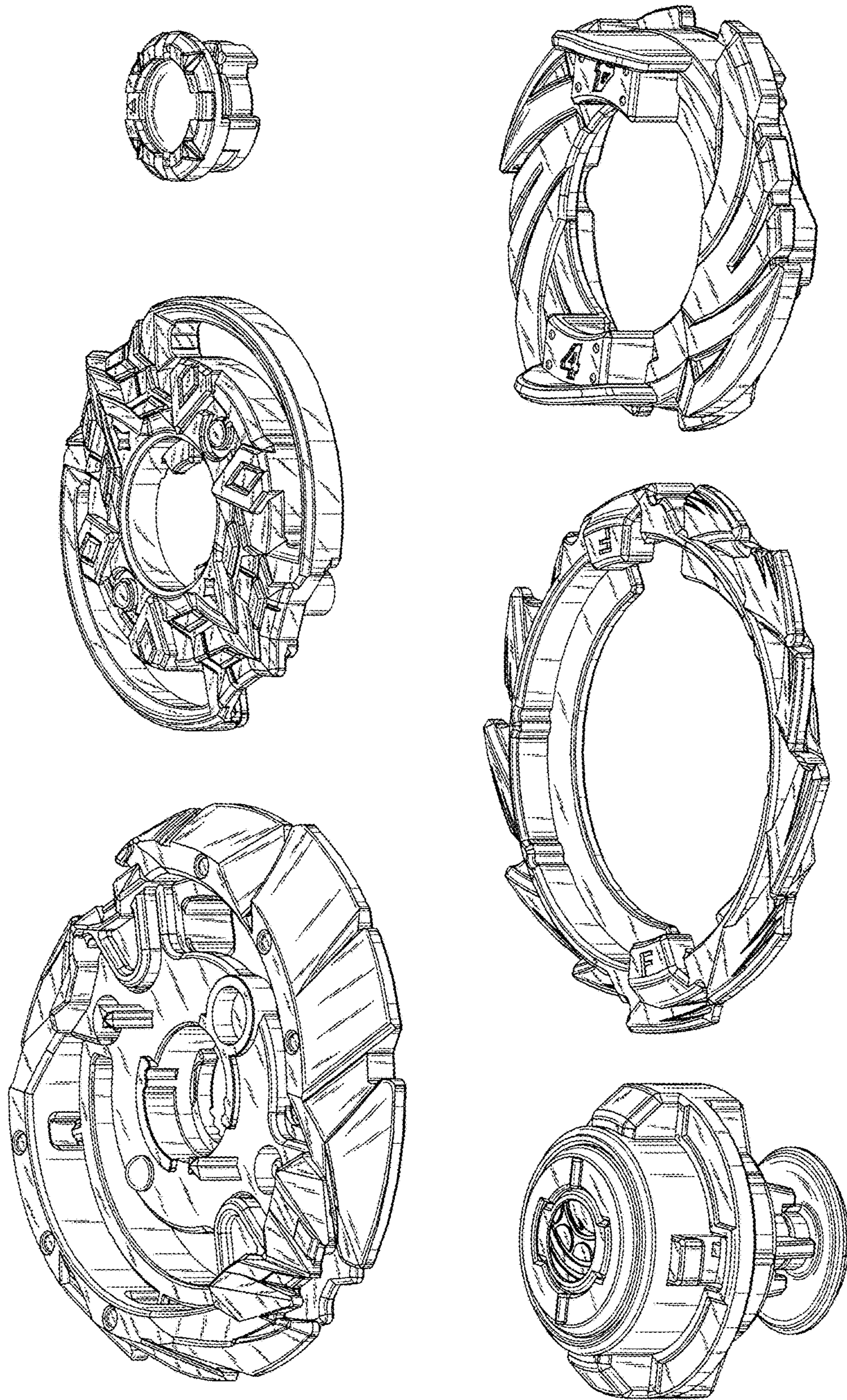


FIG. 8