



US00D839965S

(12) **United States Design Patent** (10) **Patent No.:** **US D839,965 S**
Miller et al. (45) **Date of Patent:** **** Feb. 5, 2019**

(54) **CHIP RACKS**

(71) Applicant: **Bally Gaming, Inc.**, Las Vegas, NV (US)

(72) Inventors: **Arthur C. Miller**, Las Vegas, NV (US);
Dean A. Isaacs, Las Vegas, NV (US);
Russell D. Isaacs, Las Vegas, NV (US);
William Florence, Shepherdstown, WV (US)

(73) Assignee: **Bally Gaming, Inc.**, Las Vegas, NV (US)

(**) Term: **15 Years**

(21) Appl. No.: **29/569,103**

(22) Filed: **Jun. 23, 2016**

Related U.S. Application Data

(63) Continuation-in-part of application No. 14/047,841, filed on Oct. 7, 2013, now Pat. No. 9,839,837, which (Continued)

(51) **LOC (11) Cl.** **21-01**

(52) **U.S. Cl.**
USPC **D21/392**

(58) **Field of Classification Search**
USPC D21/392
(Continued)

(56) **References Cited**

U.S. PATENT DOCUMENTS

233,829 A 11/1880 Adt
500,955 A 7/1893 Rusk
(Continued)

FOREIGN PATENT DOCUMENTS

CN 201891317 7/2011
DE 1039429 9/1958
(Continued)

OTHER PUBLICATIONS

http://www.techartinc.com/maxtime_4h_about.shtml.

(Continued)

Primary Examiner — George D. Kirschbaum

(74) *Attorney, Agent, or Firm* — TraskBritt

(57) **CLAIM**

The ornamental design for chip racks, as shown and described.

DESCRIPTION

FIG. 1 is a left front perspective view of a first embodiment of the design.

FIG. 2 is a top plan view thereof.

FIG. 3 is a right side elevational view thereof.

FIG. 4 is a front elevational view thereof.

FIG. 5 is a bottom plan view thereof.

FIG. 6 is a rear elevational view thereof.

FIG. 7 is a left elevational view thereof.

FIG. 8 is a right front perspective view thereof.

FIG. 9 is a left rear perspective view thereof.

FIG. 10 is a right rear perspective view thereof.

FIG. 11 is a left front perspective view of a second embodiment of the design.

FIG. 12 is a top plan view thereof.

FIG. 13 is a right side elevational view thereof.

FIG. 14 is a front elevational view thereof.

FIG. 15 is a bottom plan view thereof.

FIG. 16 is a rear elevational view thereof.

FIG. 17 is a left elevational view thereof.

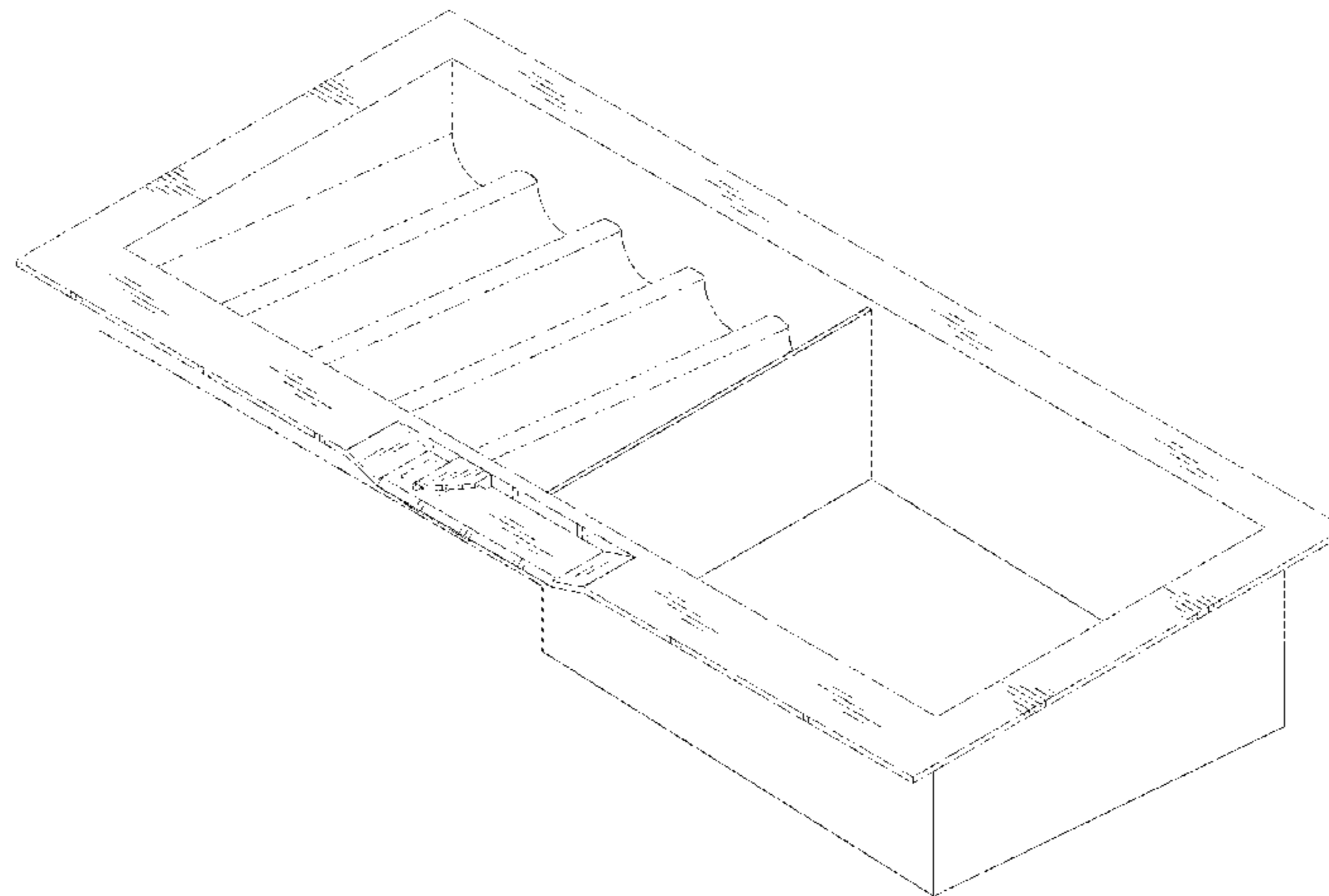
FIG. 18 is a right front perspective view thereof.

FIG. 19 is a left rear perspective view thereof; and,

FIG. 20 is a right rear perspective view thereof.

The broken lines depict unclaimed environmental subject matter.

1 Claim, 20 Drawing Sheets



Related U.S. Application Data

is a continuation of application No. 13/452,255, filed on Apr. 20, 2012, now Pat. No. 8,567,784, which is a continuation-in-part of application No. 29/399,334, filed on Aug. 12, 2011, now Pat. No. Des. 692,068, and a continuation-in-part of application No. 29/399,004, filed on Aug. 8, 2011, now Pat. No. Des. 692,067, and a continuation-in-part of application No. 29/399,000, filed on Aug. 8, 2011, now Pat. No. Des. 692,066.

(58) **Field of Classification Search**

CPC G07D 9/002
See application file for complete search history.

(56) **References Cited**

U.S. PATENT DOCUMENTS

1,356,398	A	10/1920	Owens	
1,488,025	A	3/1924	Poynter	
1,579,276	A	4/1926	Birnberg	
1,590,463	A	6/1926	Wood	
1,919,922	A	7/1933	Baker, Jr. et al.	
2,046,595	A	7/1936	Yerkes	
2,149,687	A	3/1939	Rivers	
2,620,063	A	12/1952	Stanton	
3,034,512	A	5/1962	Hunter	
3,107,467	A	10/1963	Gates	
3,165,319	A	1/1965	Benima	
3,222,071	A	12/1965	Lang	
3,306,462	A *	2/1967	Da Cruz G07D 9/002 206/0.84
3,312,473	A	4/1967	Friedman et al.	
3,489,907	A	1/1970	Kenez	
3,529,829	A	9/1970	Seifert	
3,658,342	A	4/1972	Borea	
3,690,670	A	9/1972	Cassady et al.	
3,704,938	A	12/1972	Fanselow	
3,706,874	A	12/1972	Lockard	
3,716,238	A	2/1973	Porter	
3,731,936	A	5/1973	Copeland	
3,742,616	A	7/1973	Heller	
3,743,294	A	7/1973	Forster	
3,751,041	A	8/1973	Seifert	
3,779,554	A	12/1973	Brix	
3,814,436	A	6/1974	Boren	
3,858,797	A	1/1975	Takeuchi	
3,929,339	A	12/1975	Mattioli	
4,026,309	A	5/1977	Howard	
D248,233	S	6/1978	Dibenedetto	
4,146,229	A	3/1979	Morse	
D256,034	S	7/1980	Beaman	
4,314,700	A	2/1982	Dylag	
D274,441	S	6/1984	Stevenson	
4,531,187	A	7/1985	Uhland	
4,534,562	A	8/1985	Cuff et al.	
D285,859	S	9/1986	Ooki	
4,667,959	A	5/1987	Pfeiffer et al.	
4,814,589	A	3/1989	Storch et al.	
4,822,050	A	4/1989	Normand et al.	
D305,882	S	2/1990	Kato et al.	
D312,247	S	11/1990	Simoneaux et al.	
D317,951	S	7/1991	Miller	
5,039,102	A	8/1991	Miller	
D319,825	S	9/1991	Andrew	
5,067,713	A	11/1991	Soules et al.	
D323,490	S	1/1992	Jarilla-Valiente	
5,110,134	A	5/1992	Laughlin et al.	
5,166,502	A	11/1992	Rendleman et al.	
5,219,172	A	6/1993	Laughlin et al.	
5,224,712	A	7/1993	Laughlin et al.	
5,283,422	A	1/1994	Storch et al.	
5,312,104	A	5/1994	Miller	
5,362,053	A	11/1994	Miller	
5,364,106	A	11/1994	Laughlin et al.	

5,374,061	A	12/1994	Albrecht	
5,451,054	A	9/1995	Orenstein	
5,531,331	A	7/1996	Barnett	
5,651,548	A	7/1997	French et al.	
5,669,816	A	9/1997	Garczynski et al.	
5,681,039	A	10/1997	Miller	
5,722,893	A	3/1998	Hill et al.	
5,757,876	A	5/1998	Dam et al.	
5,772,505	A	6/1998	Garczynski et al.	
5,779,546	A	7/1998	Meissner et al.	
5,781,647	A	7/1998	Fishbine et al.	
5,809,482	A	9/1998	Strisower	
5,933,244	A	8/1999	Kiritchenko	
5,941,769	A	8/1999	Order	
5,961,121	A	10/1999	Brown	
6,039,650	A	3/2000	Hill	
6,126,166	A	10/2000	Lorson et al.	
6,254,484	B1	7/2001	McCrea, Jr.	
6,267,671	B1	7/2001	Hogan	
6,299,536	B1	10/2001	Hill	
6,313,871	B1	11/2001	Schubert	
6,346,044	B1	2/2002	McCrea, Jr.	
6,431,984	B2	8/2002	Coyer et al.	
6,460,848	B1	10/2002	Soltys et al.	
6,514,140	B1	2/2003	Storch	
6,517,435	B2	2/2003	Soltys et al.	
6,517,436	B2	2/2003	Soltys et al.	
6,520,857	B2	2/2003	Soltys et al.	
6,527,271	B2	3/2003	Soltys et al.	
6,530,836	B2	3/2003	Soltys et al.	
6,532,297	B1	3/2003	Lindquist	
6,533,276	B2	3/2003	Soltys et al.	
6,567,159	B1	5/2003	Corech	
6,579,180	B2	6/2003	Soltys et al.	
6,595,857	B2	7/2003	Soltys et al.	
6,609,710	B1	8/2003	Order	
6,619,662	B2	9/2003	Miller	
6,626,750	B2	9/2003	Momemy	
6,629,889	B2	10/2003	Mothwurf	
6,638,161	B2	10/2003	Soltys et al.	
D482,735	S	11/2003	Evans	
6,651,985	B2	11/2003	Sines et al.	
6,652,379	B2	11/2003	Soltys et al.	
6,663,490	B2	12/2003	Soltys et al.	
6,685,568	B2	2/2004	Soltys et al.	
6,688,979	B2	2/2004	Soltys et al.	
6,712,696	B2	3/2004	Soltys et al.	
6,758,751	B2	7/2004	Soltys et al.	
6,845,905	B2	1/2005	Blad et al.	
6,848,994	B1	2/2005	Knust et al.	
6,857,961	B2	2/2005	Soltys et al.	
6,964,612	B2	11/2005	Soltys et al.	
6,991,544	B2	1/2006	Soltys et al.	
7,011,309	B2	3/2006	Soltys et al.	
7,029,009	B2	4/2006	Grauzer et al.	
D522,511	S	6/2006	Sekou	
7,255,642	B2	8/2007	Sines et al.	
7,316,615	B2	1/2008	Soltys et al.	
7,374,170	B2	5/2008	Grauzer et al.	
7,390,256	B2	6/2008	Soltys et al.	
7,717,427	B2	5/2010	Grauzer et al.	
7,775,887	B2	8/2010	Kuhn et al.	
7,780,512	B2	8/2010	Sines et al.	
7,803,051	B2	9/2010	Kuhn et al.	
7,933,448	B2	4/2011	Downs, III	
8,118,305	B2	2/2012	Grauzer et al.	
8,142,271	B2	3/2012	Kuhn et al.	
D657,427	S	4/2012	Gelinotte et al.	
8,287,386	B2	10/2012	Miller et al.	
8,387,987	B2	3/2013	Snow et al.	
8,398,084	B2	3/2013	Hall	
D680,537	S	4/2013	Miller et al.	
D692,066	S *	10/2013	Miller D21/392
D692,067	S *	10/2013	Miller D21/392
D692,068	S *	10/2013	Miller D21/392
D714,877	S *	10/2014	Kneitel D21/392
2002/0086727	A1	7/2002	Soltys et al.	
2002/0155869	A1	10/2002	Soltys et al.	
2002/0165029	A1	11/2002	Soltys et al.	

(56)

References Cited

U.S. PATENT DOCUMENTS

2003/0220136 A1 11/2003 Soltys et al.
 2004/0219975 A1 11/2004 Soltys et al.
 2005/0239542 A1 10/2005 Olsen
 2005/0258597 A1 11/2005 Soltys et al.
 2005/0282623 A1 12/2005 Matsuno et al.
 2006/0019739 A1 1/2006 Soltys et al.
 2006/0063577 A1 3/2006 Downs, III et al.
 2006/0199649 A1 9/2006 Soltys et al.
 2007/0026949 A1 2/2007 Charlier et al.
 2007/0240462 A1 10/2007 James et al.
 2009/0291762 A1 11/2009 Walker

FOREIGN PATENT DOCUMENTS

DE 3524641 A1 1/1987
 DE 3807127 A1 9/1989
 EP 0310516 A1 4/1989
 FR 1356398 2/1964
 FR 2109213 5/1972

FR 2186839 1/1974
 FR 2427107 12/1979
 FR 2576518 8/1986
 GB 2061490 A 5/1981
 WO 9942186 8/1999
 WO 0120489 A1 3/2001
 WO 02068074 A2 9/2002
 WO 2008078169 A2 7/2008

OTHER PUBLICATIONS

http://www.techartinc.com/maxtime_4h_faq.shtml.
 Poker Table Supplies & Hardware [Viewed on internet on Jun. 28, 2016] <http://web.archive.org/web/20111223215654/http://www.ryeparkpoker.com/table-parts/poker-table-hardware.htm>; Published on Dec. 26, 2007 as per Wayback Machine.
 Casino Industry products—Casino Chip Trays [Viewed on internet on Jun. 28, 2016] <http://web.archive.org/web/20120418234345/http://www.servicecentralinc.com/casino-industry-products.htm>; Published on Apr. 8, 2012 as per Wayback Machine.

* cited by examiner

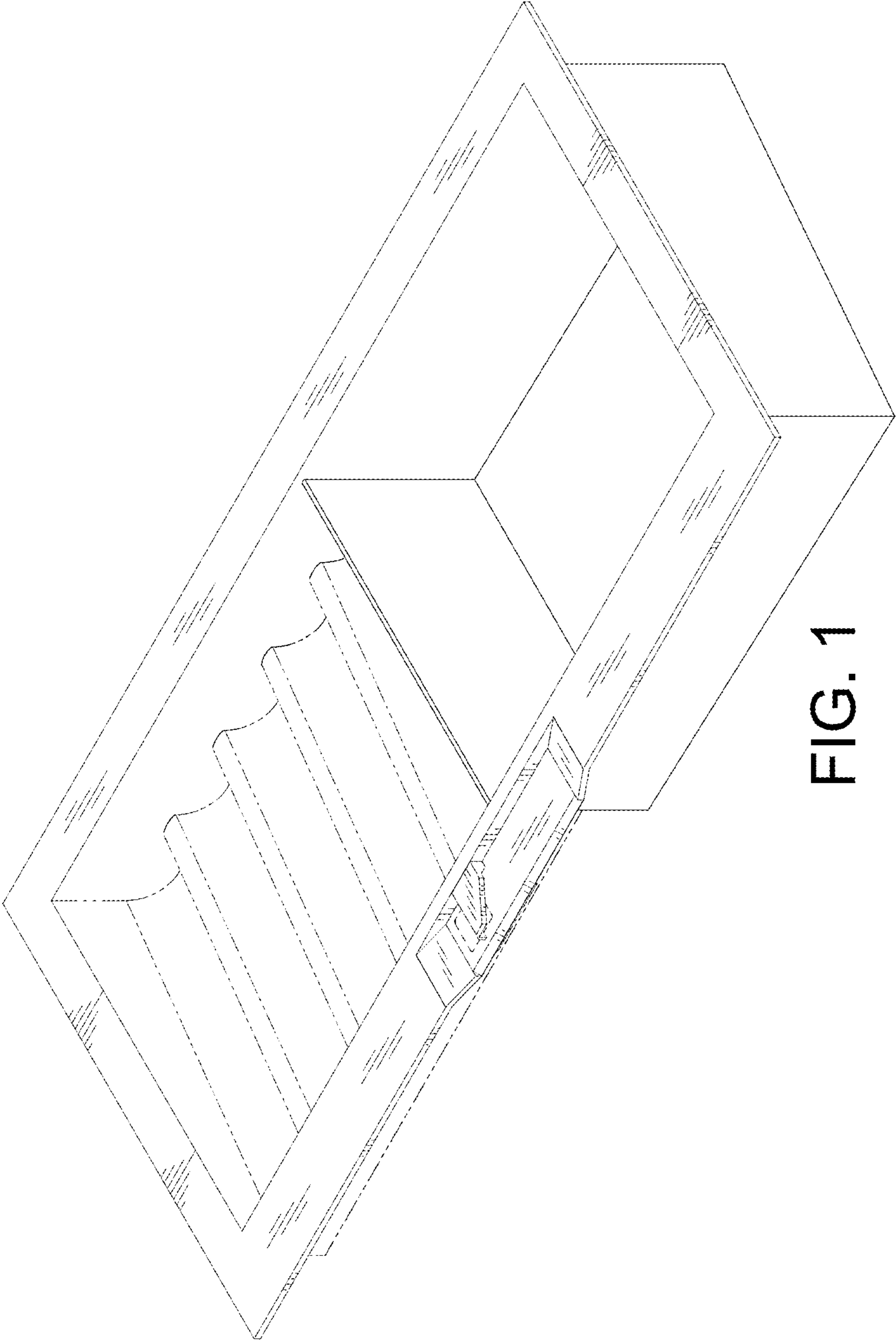


FIG. 1

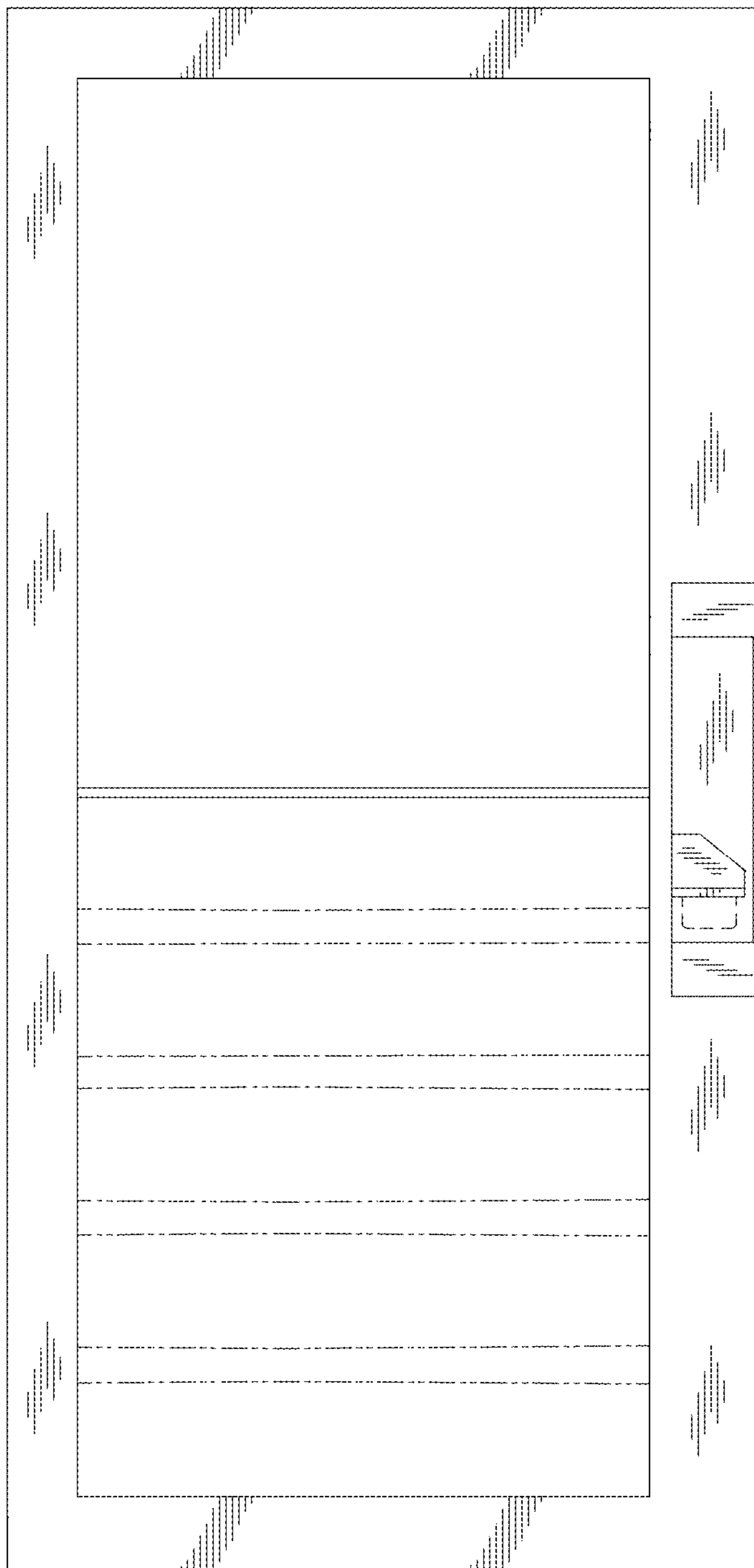


FIG. 2

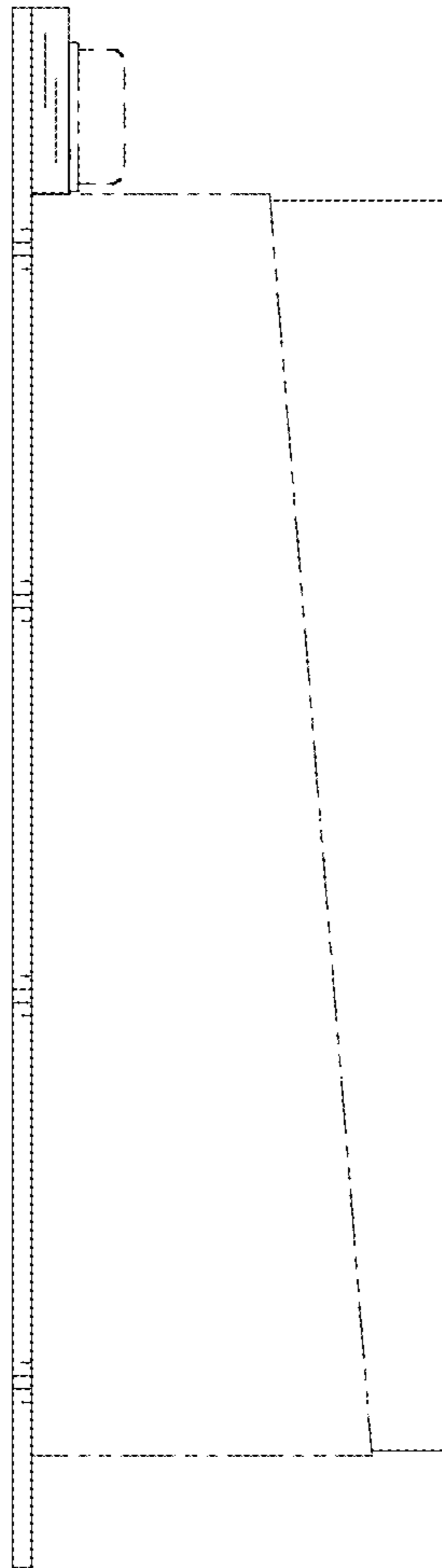


FIG. 3

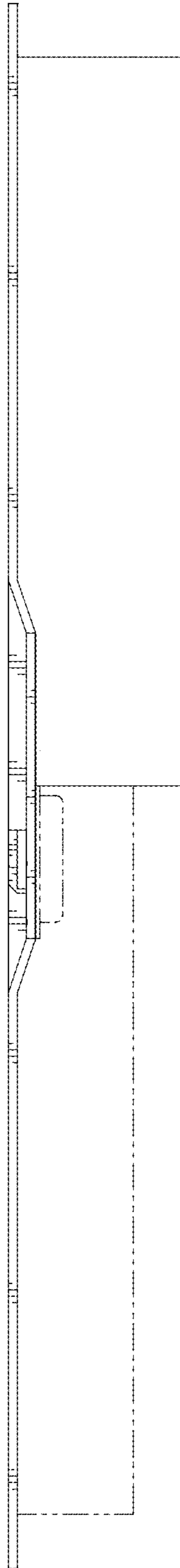


FIG. 4

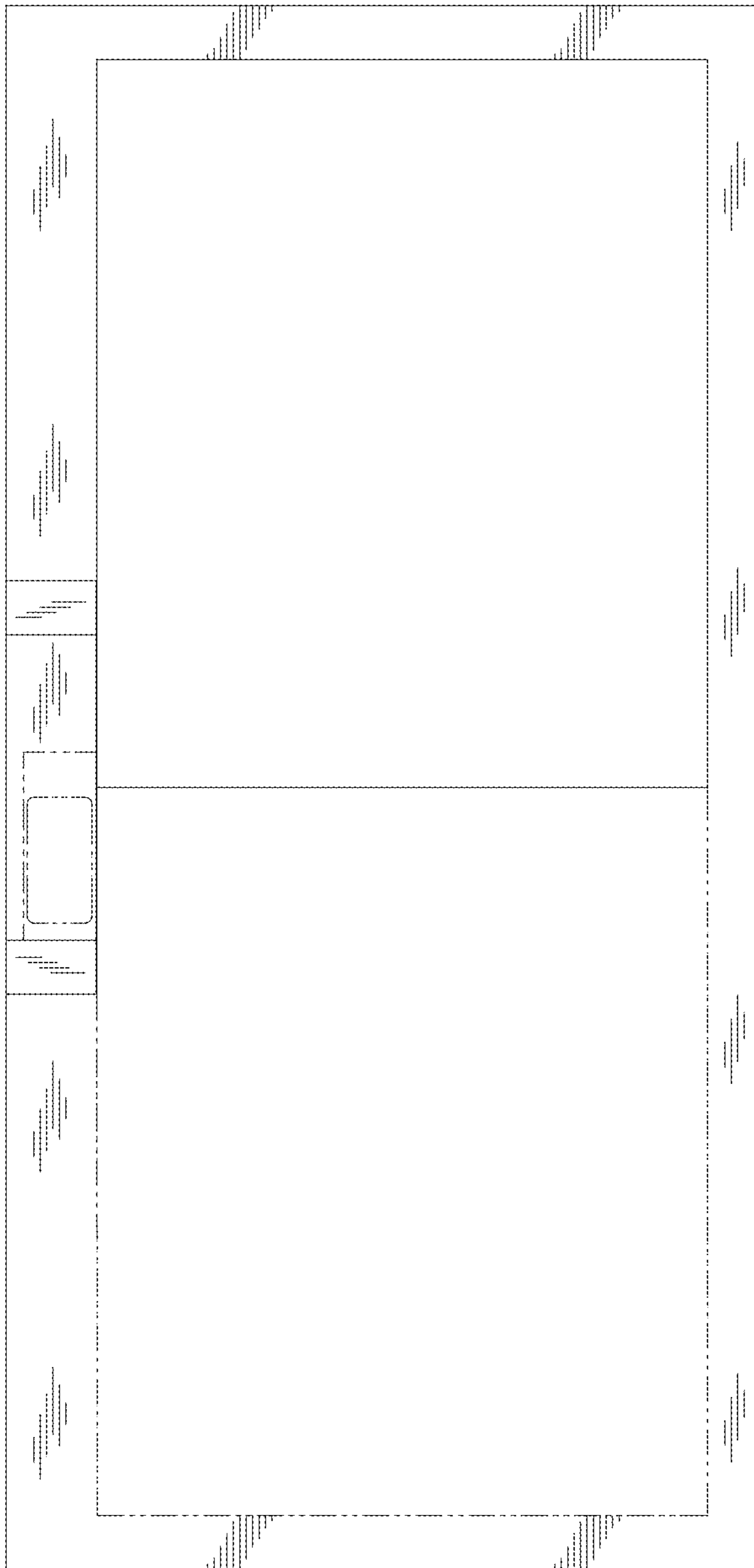


FIG. 5

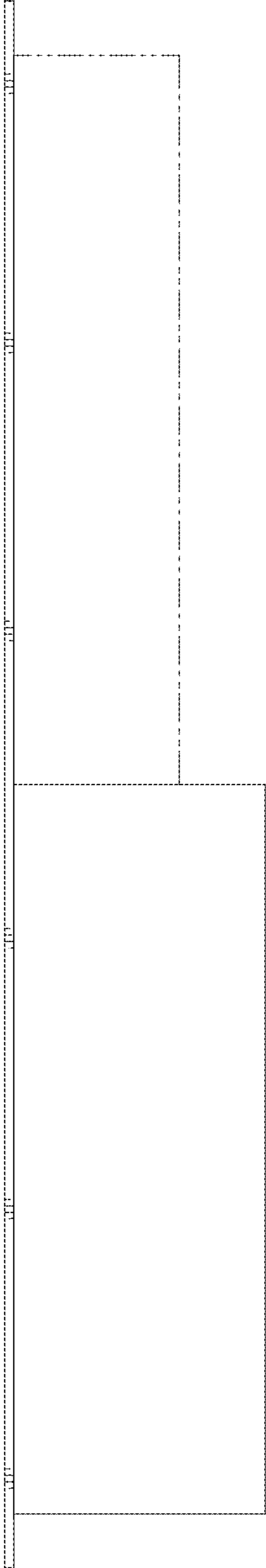


FIG. 6

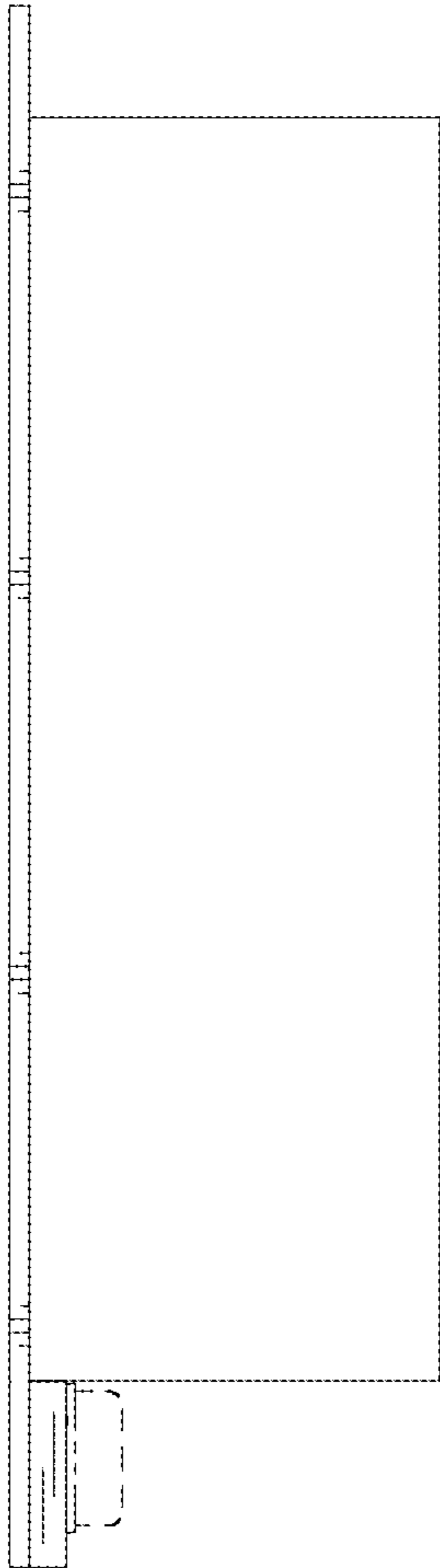


FIG. 7

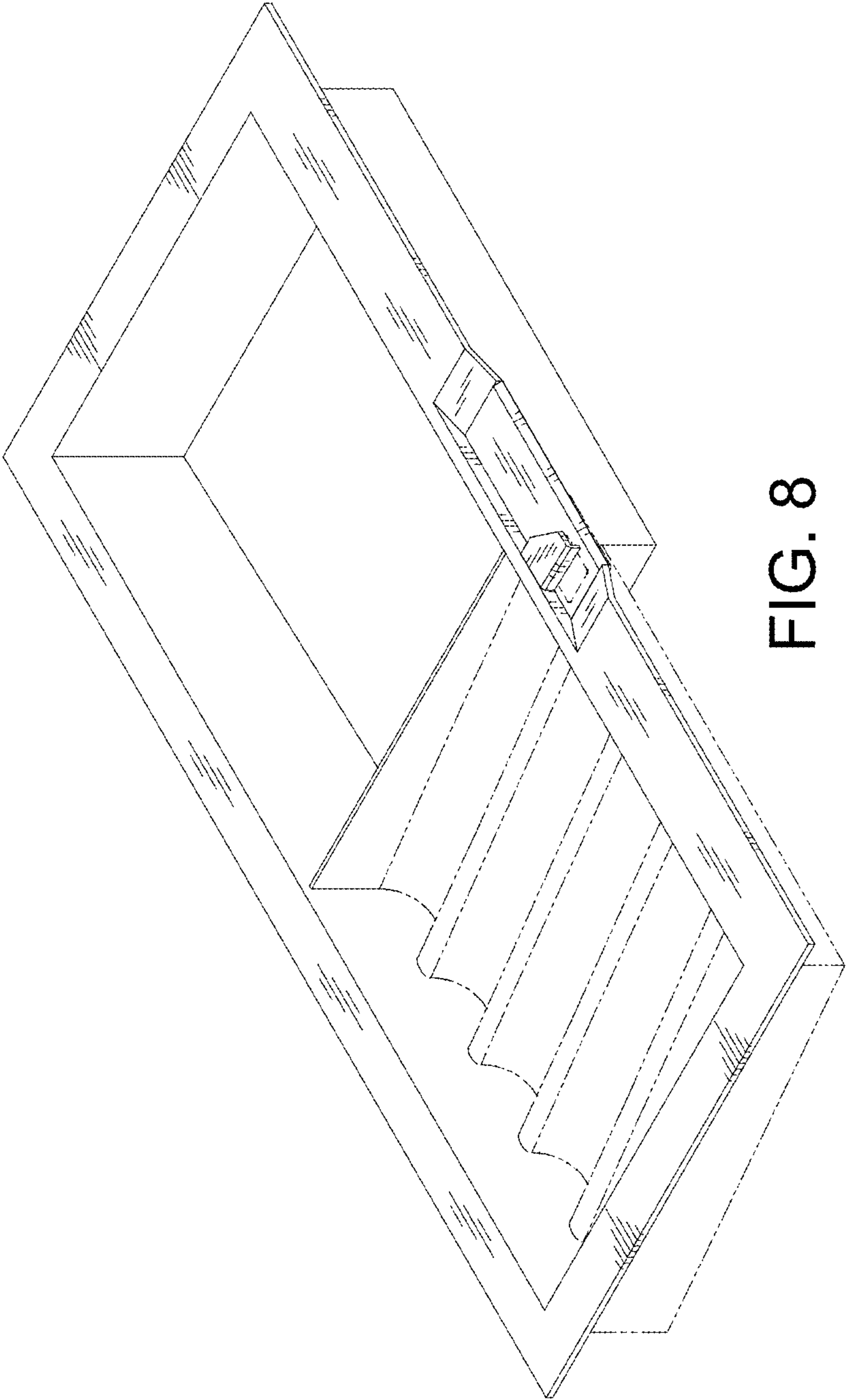


FIG. 8

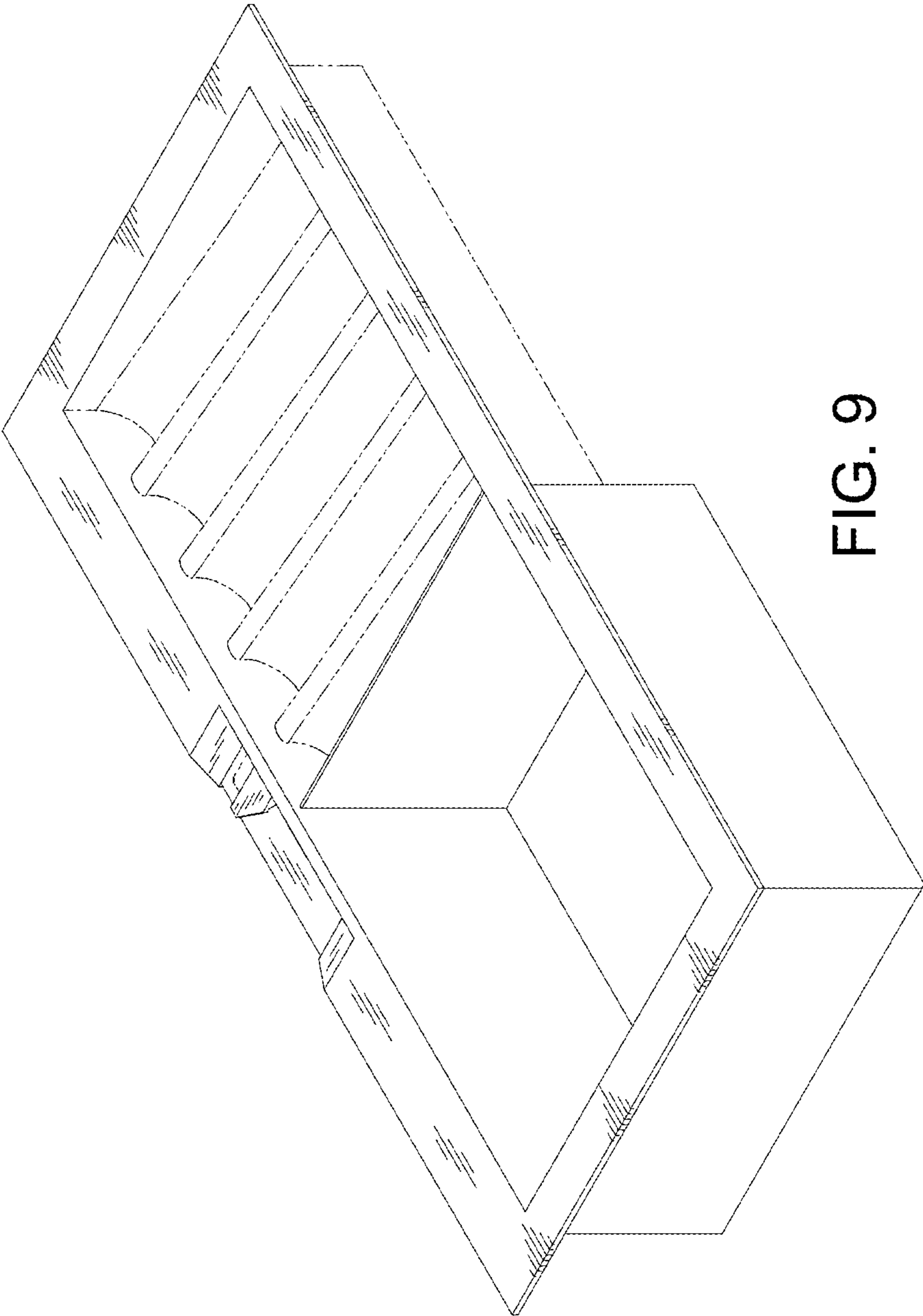


FIG. 9

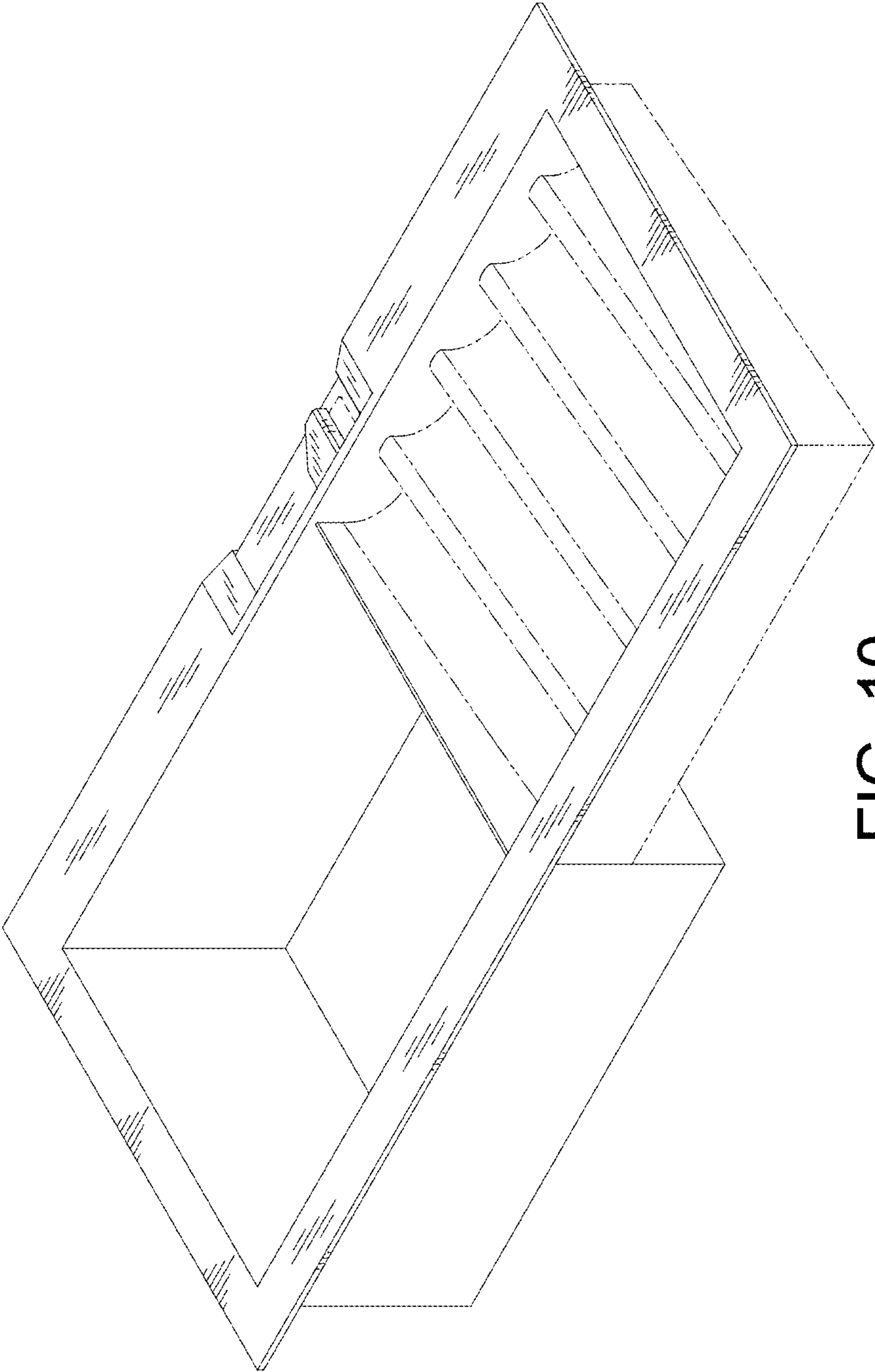


FIG. 10

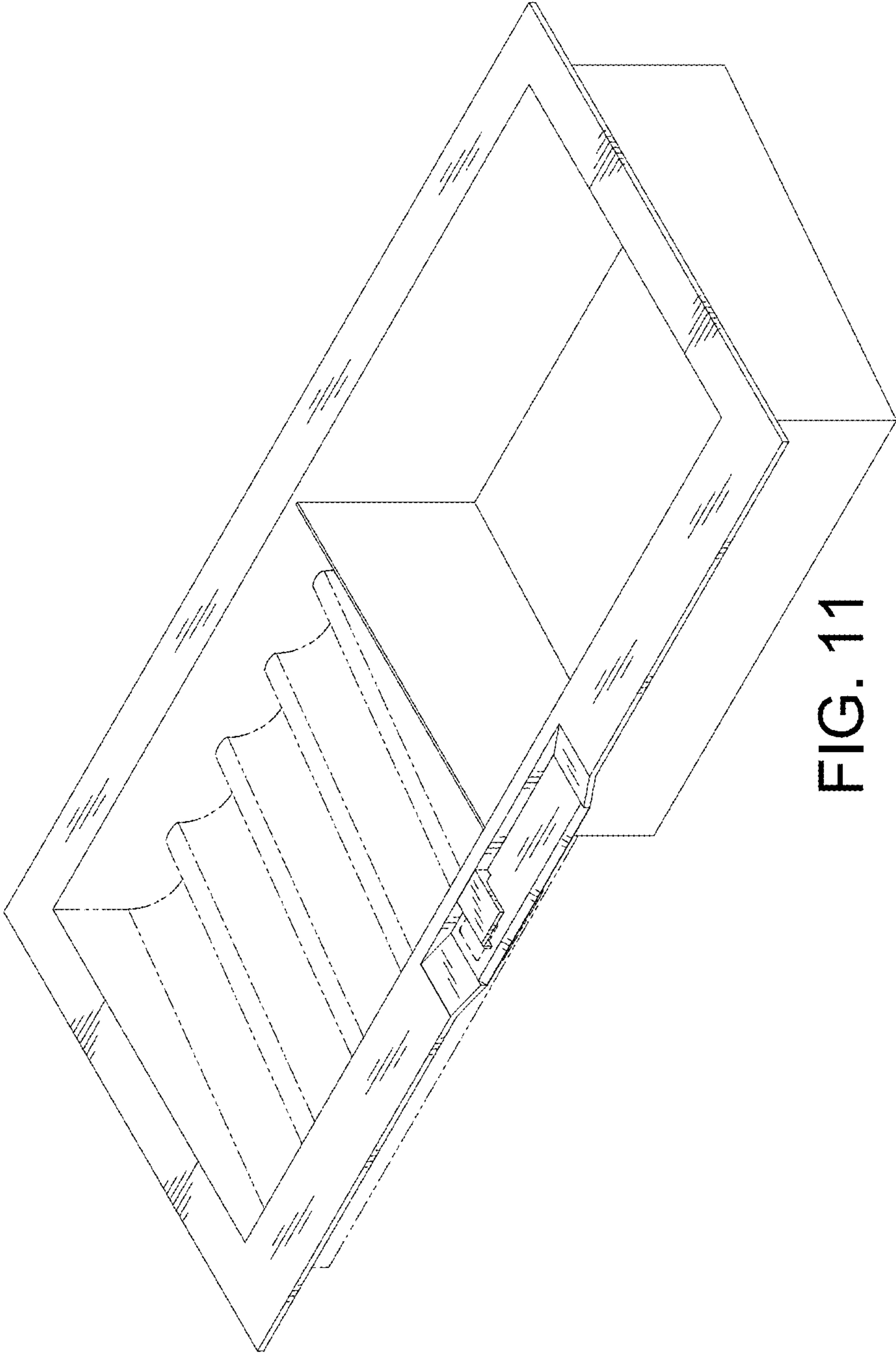


FIG. 11

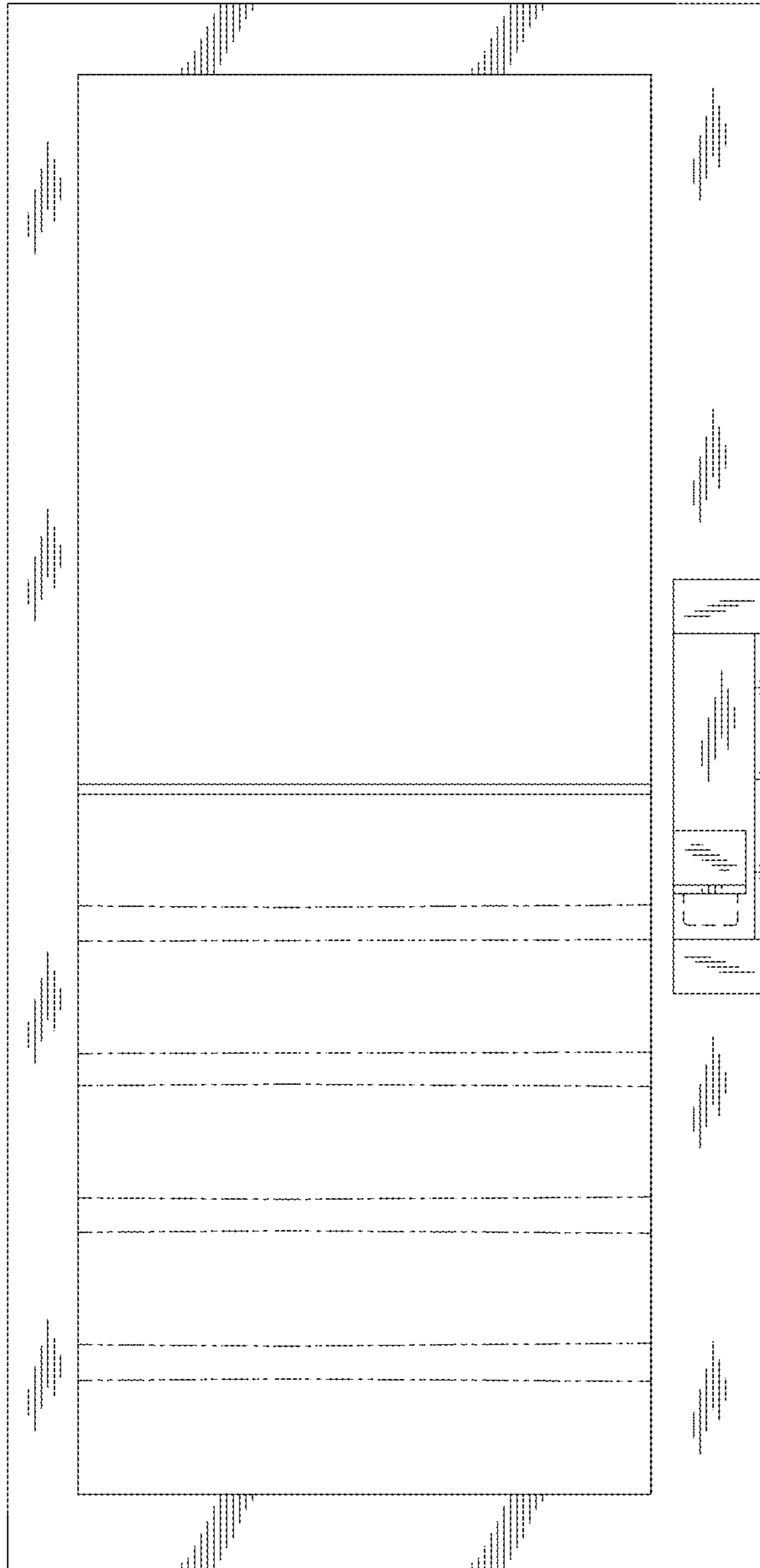


FIG. 12

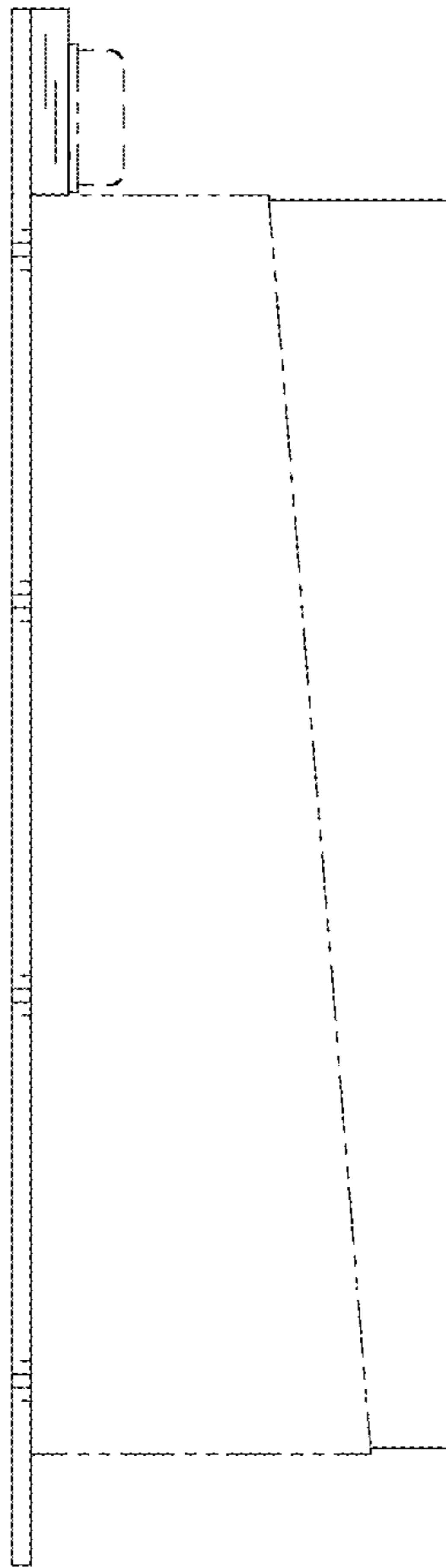


FIG. 13

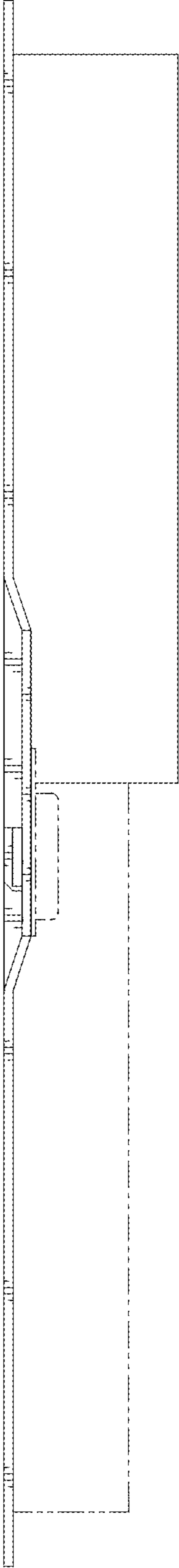


FIG. 14

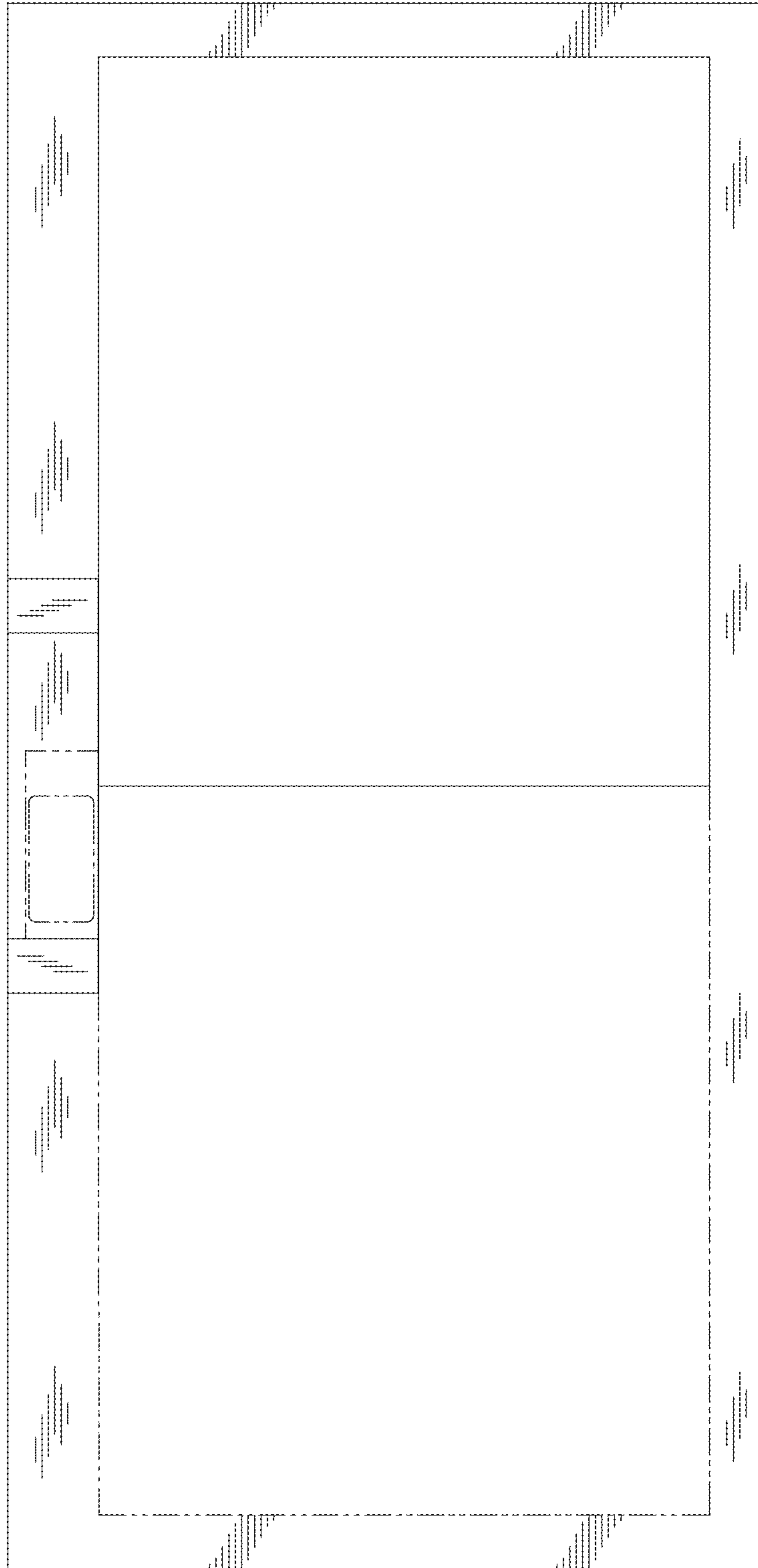


FIG. 15

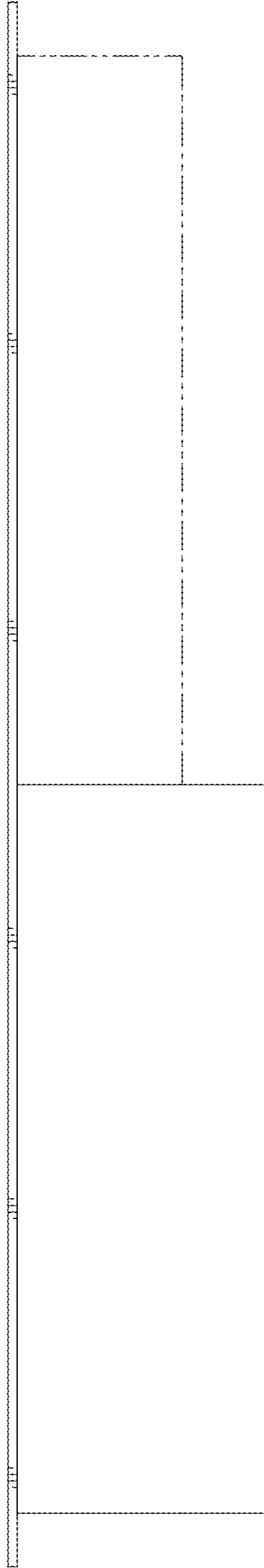


FIG. 16

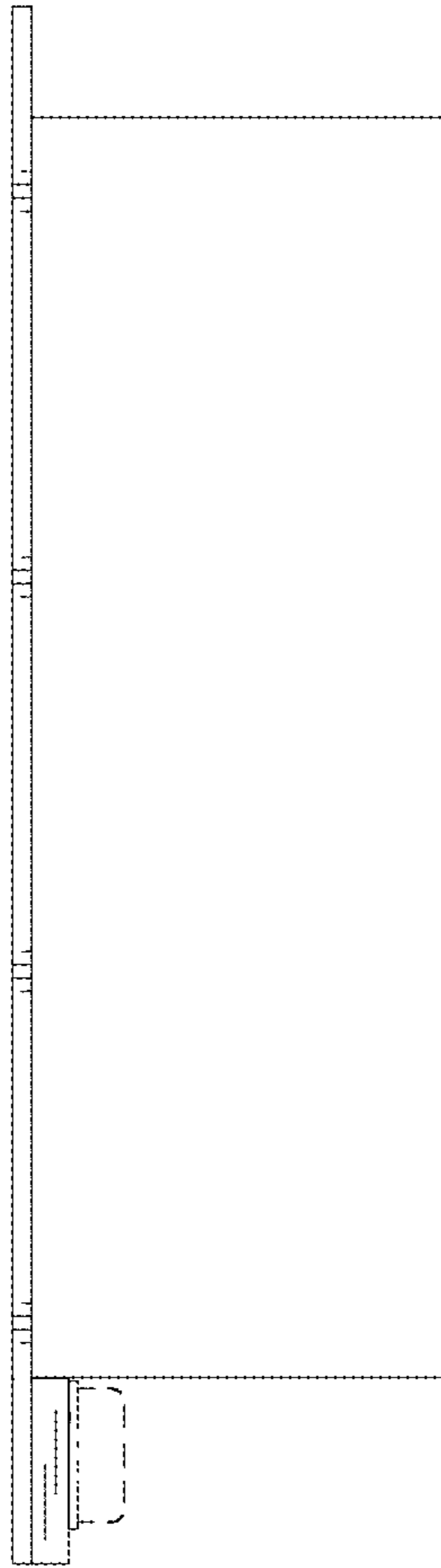


FIG. 17

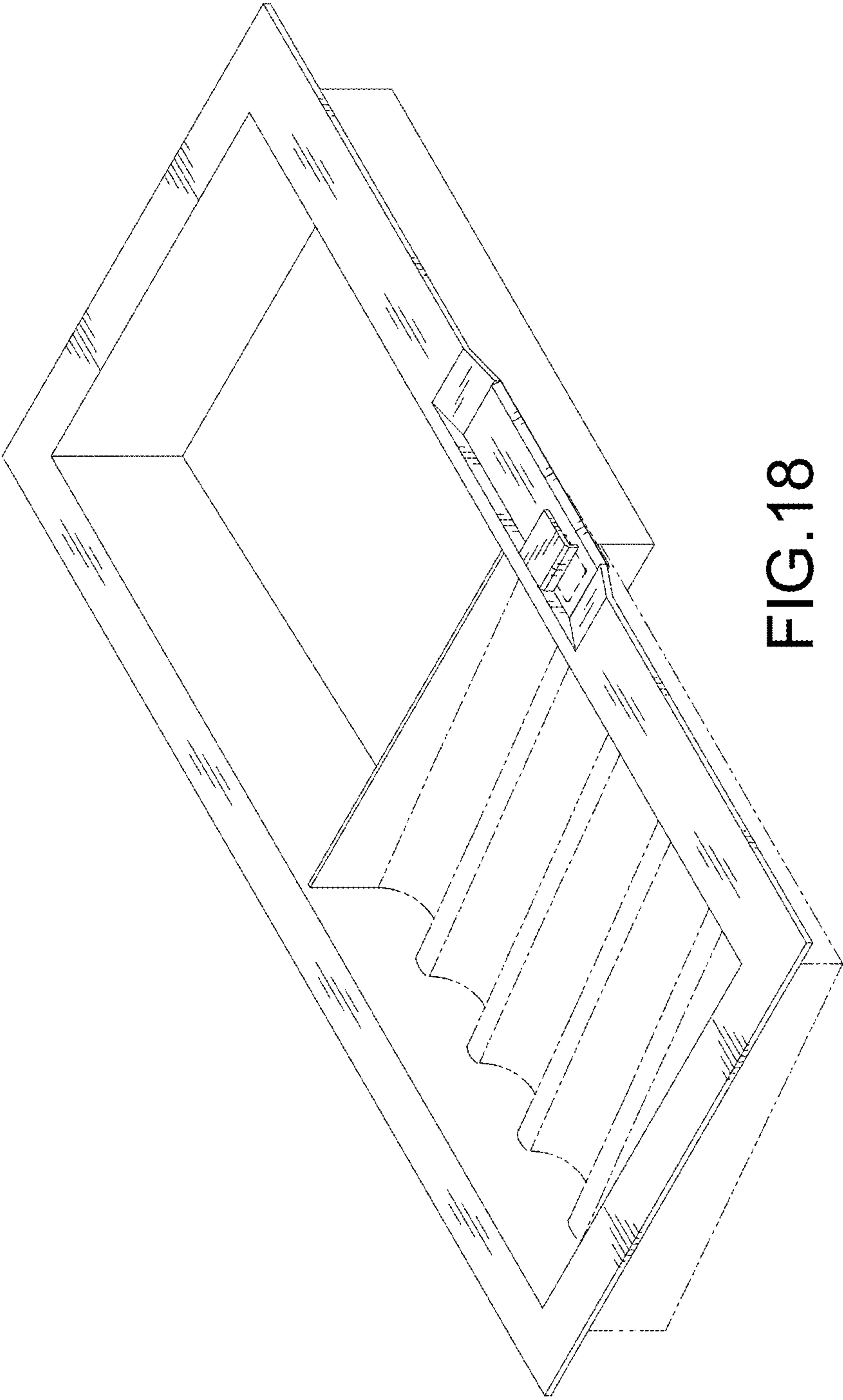


FIG.18

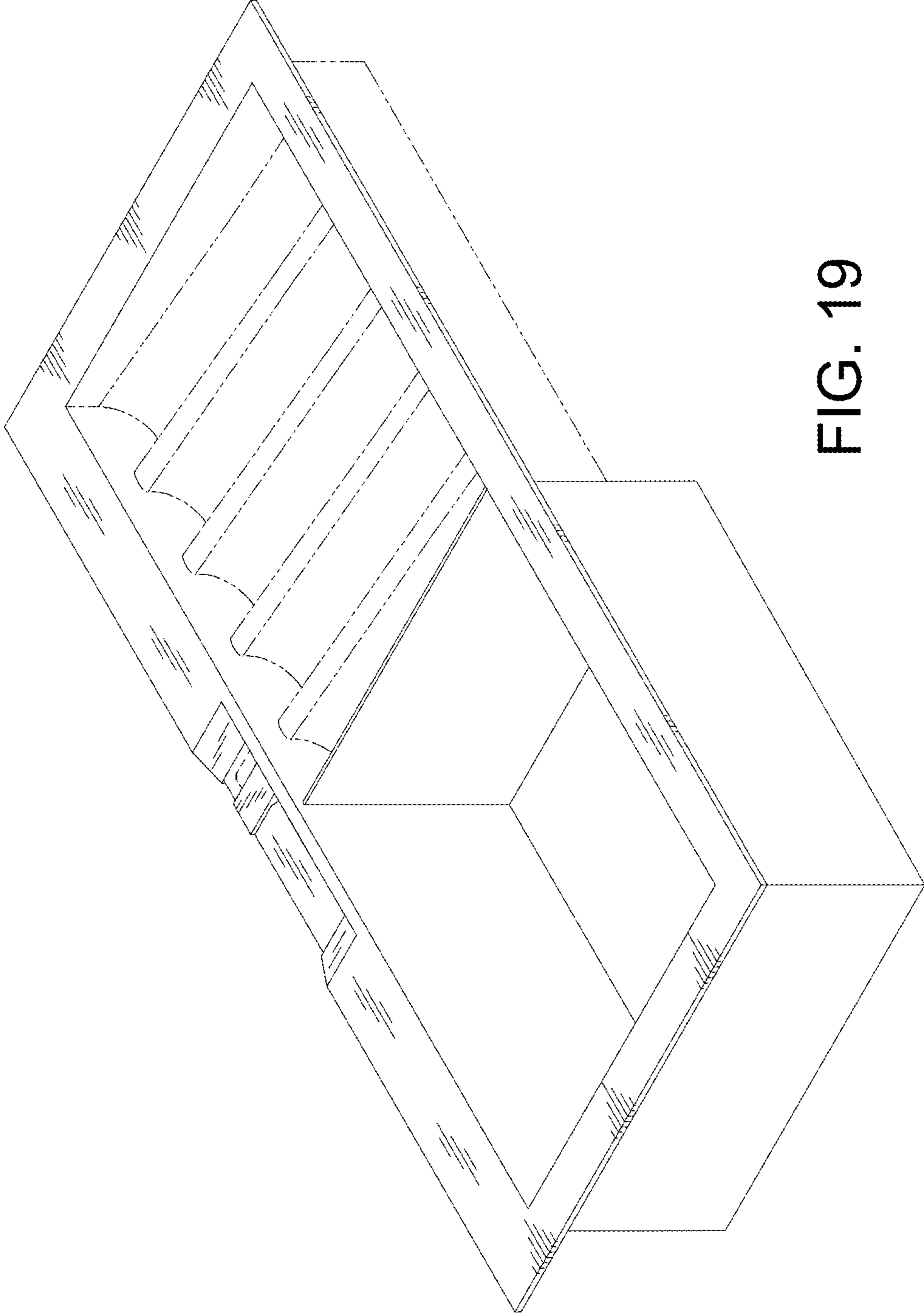


FIG. 19

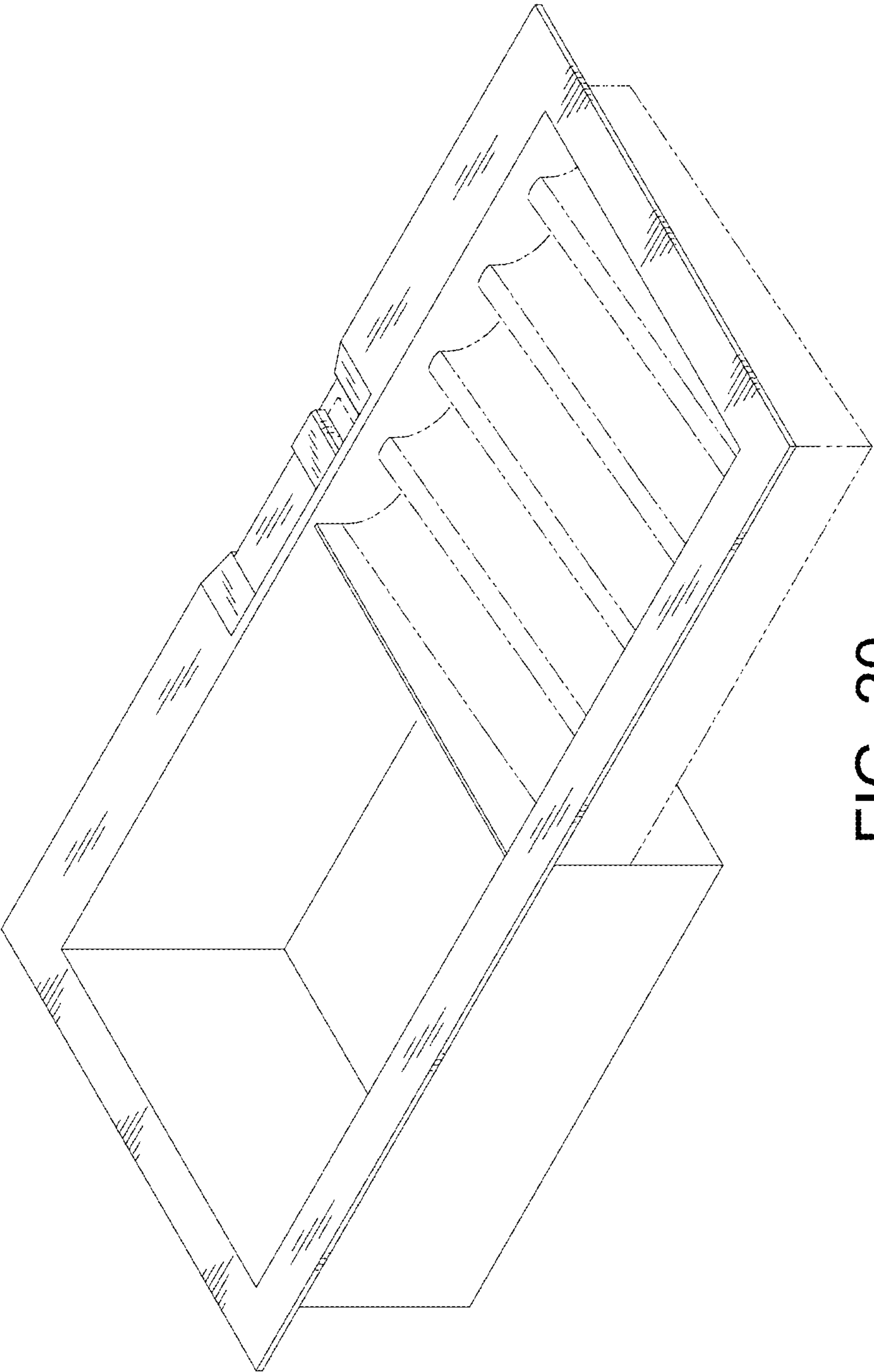


FIG. 20