



US00D839964S

(12) **United States Design Patent** (10) **Patent No.:** **US D839,964 S**  
**Hallen** (45) **Date of Patent:** **\*\* Feb. 5, 2019**

- (54) **COLLECTIBLE HOCKEY PROP** 5,338,041 A \* 8/1994 Jones ..... A63F 3/02  
 273/259  
 (71) Applicant: **Christian Eric Hallen**, Lake Bluff, IL 5,433,443 A \* 7/1995 Ples ..... A63F 7/0684  
 (US) 273/108.51  
 5,865,436 A \* 2/1999 Conti ..... A63F 3/00031  
 273/241  
 (72) Inventor: **Christian Eric Hallen**, Lake Bluff, IL 6,478,299 B2 \* 11/2002 Bialler ..... A63F 7/0684  
 (US) 273/108.1  
 6,682,070 B1 \* 1/2004 Rosenfeld ..... A63F 7/068  
 273/108.1

(\*\*) Term: **15 Years**

(21) Appl. No.: **29/556,029**

(22) Filed: **Feb. 26, 2016**

(51) **LOC (11) Cl.** ..... **21-01**

(52) **U.S. Cl.**  
USPC ..... **D21/386**

(58) **Field of Classification Search**  
USPC ..... D21/300, 334, 335, 338–341, 343, 345,  
D21/346, 348–351, 355, 357, 359, 362,  
D21/363, 365  
CPC ..... A63F 3/00006; A63F 3/00056; A63F  
3/00138  
See application file for complete search history.

(56) **References Cited**

**U.S. PATENT DOCUMENTS**

- 3,785,648 A \* 1/1974 Kobayashi ..... A63F 7/068  
 273/108.51  
 3,912,269 A \* 10/1975 Barlow ..... A63F 7/0684  
 273/108.51  
 5,016,878 A \* 5/1991 Hay ..... A63F 7/068  
 273/108.51  
 5,242,164 A \* 9/1993 Nicoll ..... A63F 7/0668  
 273/108.5

\* cited by examiner

*Primary Examiner* — George D. Kirschbaum

*Assistant Examiner* — Joseph J Kukella

(74) *Attorney, Agent, or Firm* — Dunlap Bennett &  
Ludwig PLLC

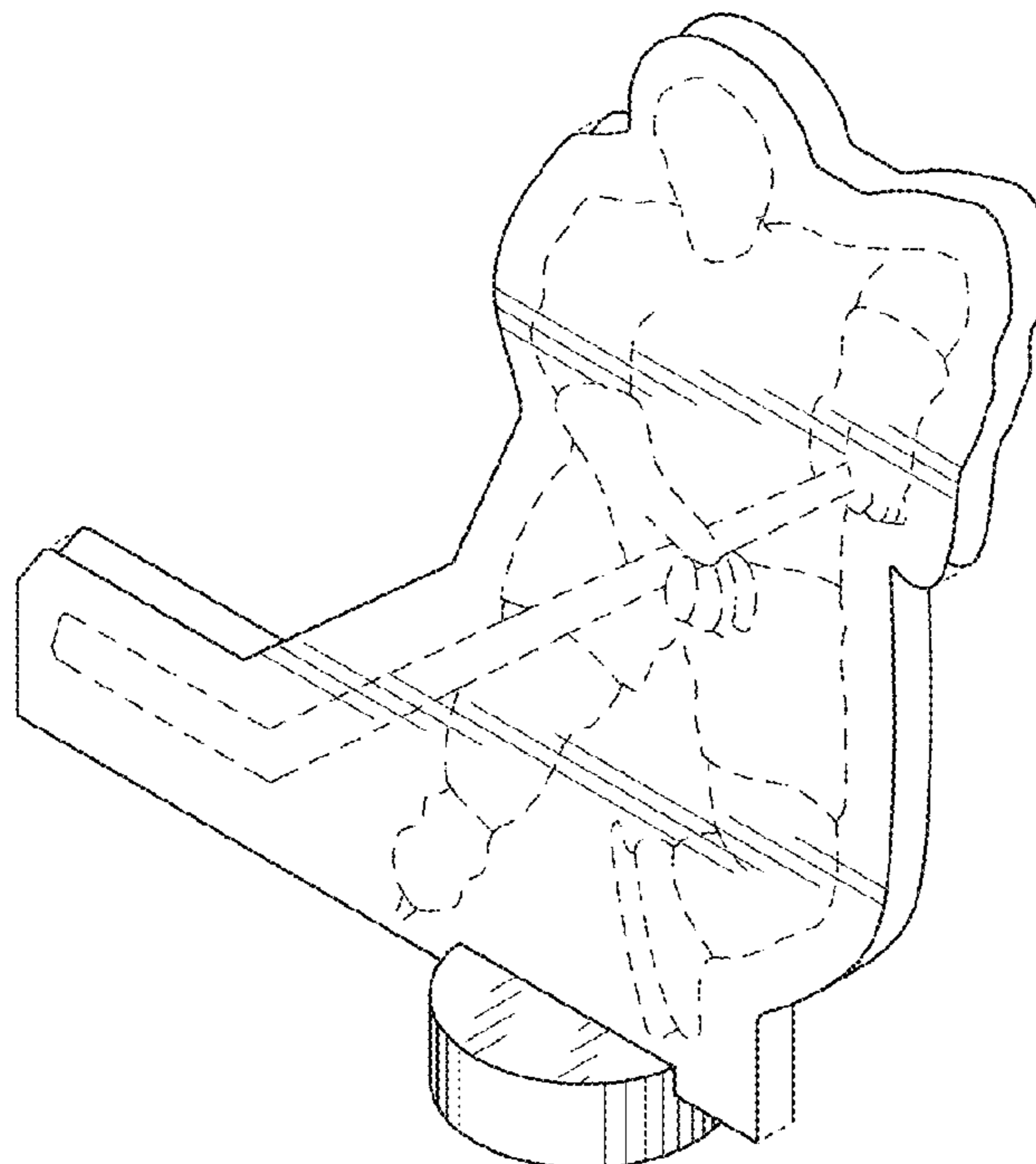
(57) **CLAIM**

The ornamental design for a collectible hockey prop, as shown and described.

**DESCRIPTION**

FIG. 1 is a front perspective view of a collectible hockey prop;  
 FIG. 2 is a front elevation view of FIG. 1;  
 FIG. 3 is a top plan view of FIG. 1;  
 FIG. 4 is a bottom plan view of FIG. 1;  
 FIG. 5 is a rear elevation view of FIG. 1;  
 FIG. 6 is a right elevation view of FIG. 1; and,  
 FIG. 7 is a left elevation view of FIG. 1.  
 The broken lines shown in the drawings depict portions of the collectible hockey prop that form no part of the claimed design.

**1 Claim, 2 Drawing Sheets**



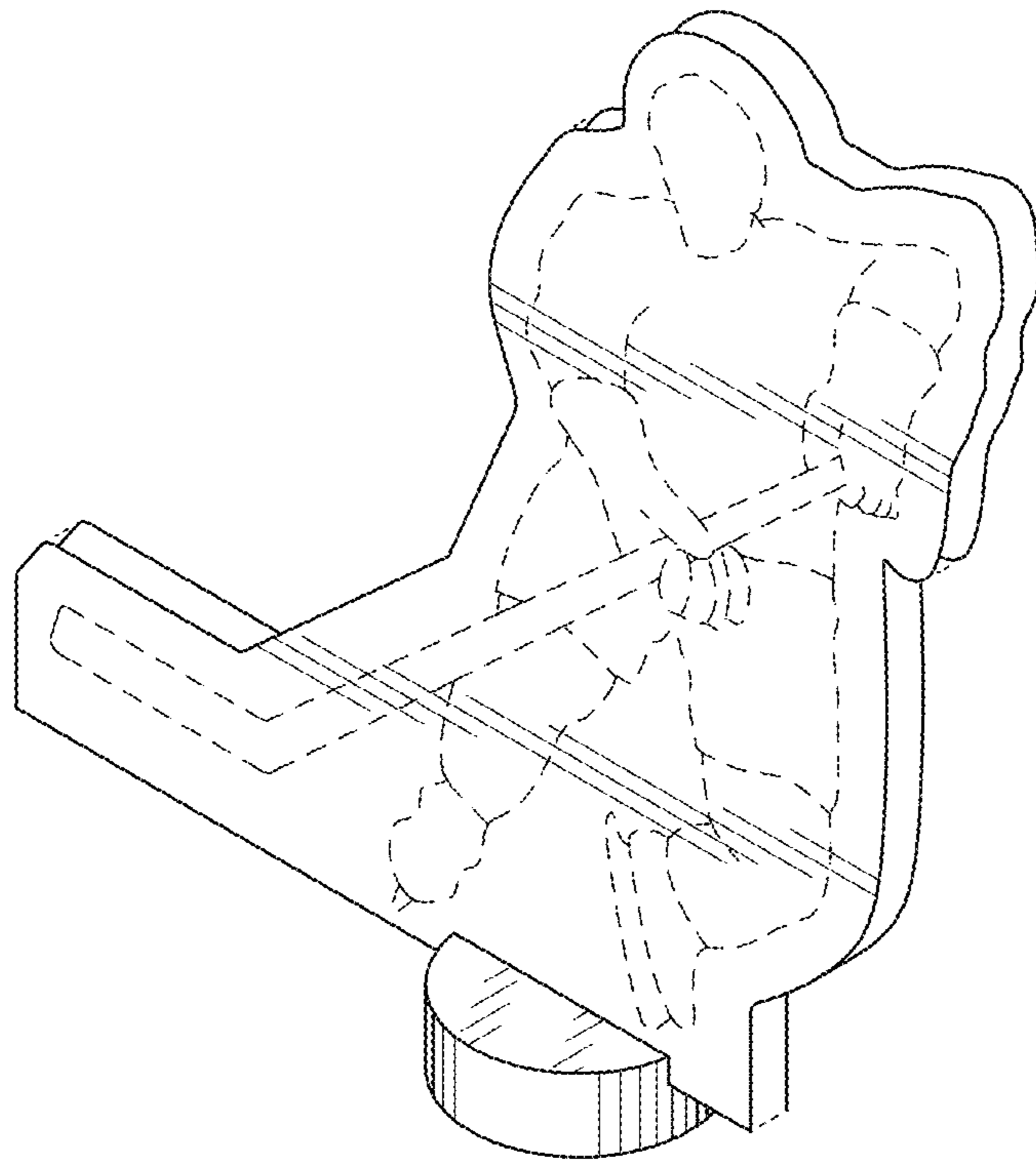


FIG. 1

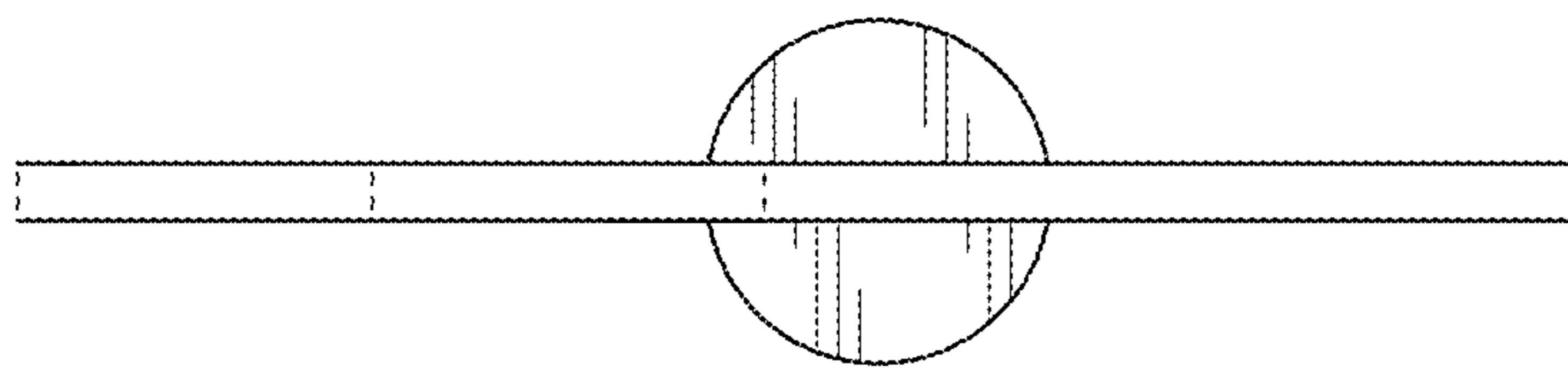


FIG. 2

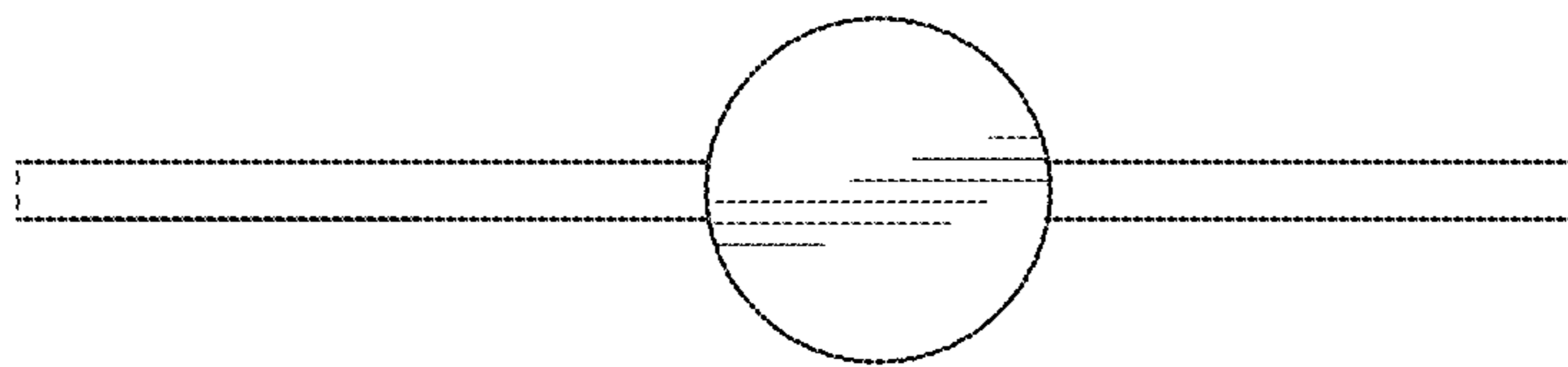


FIG. 3

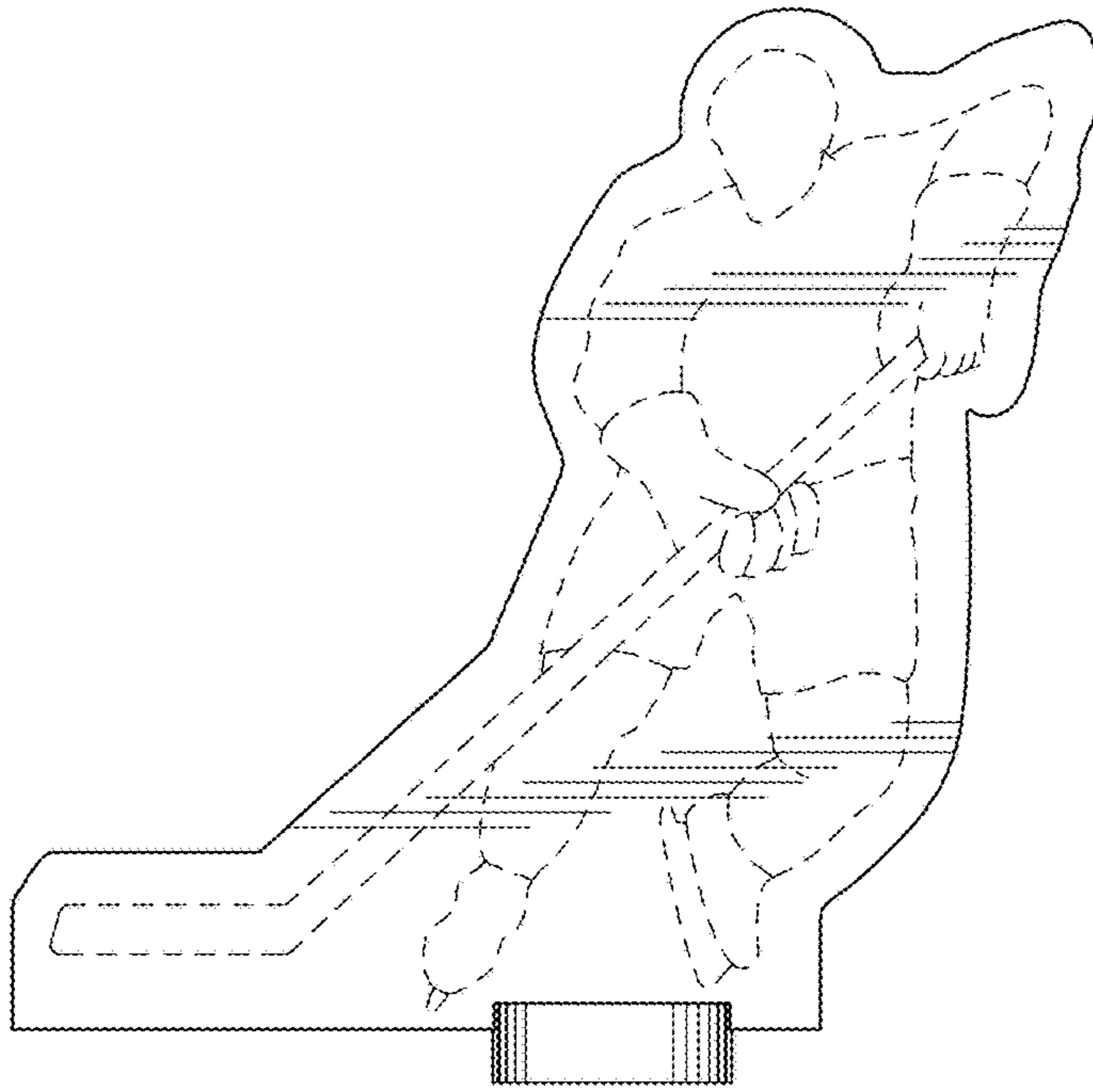


FIG. 4

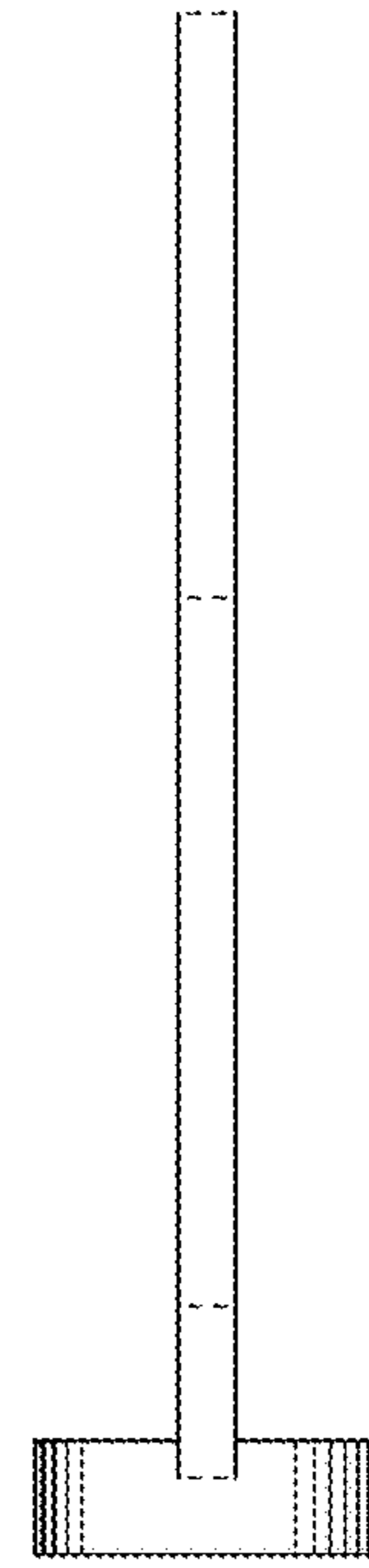


FIG. 6

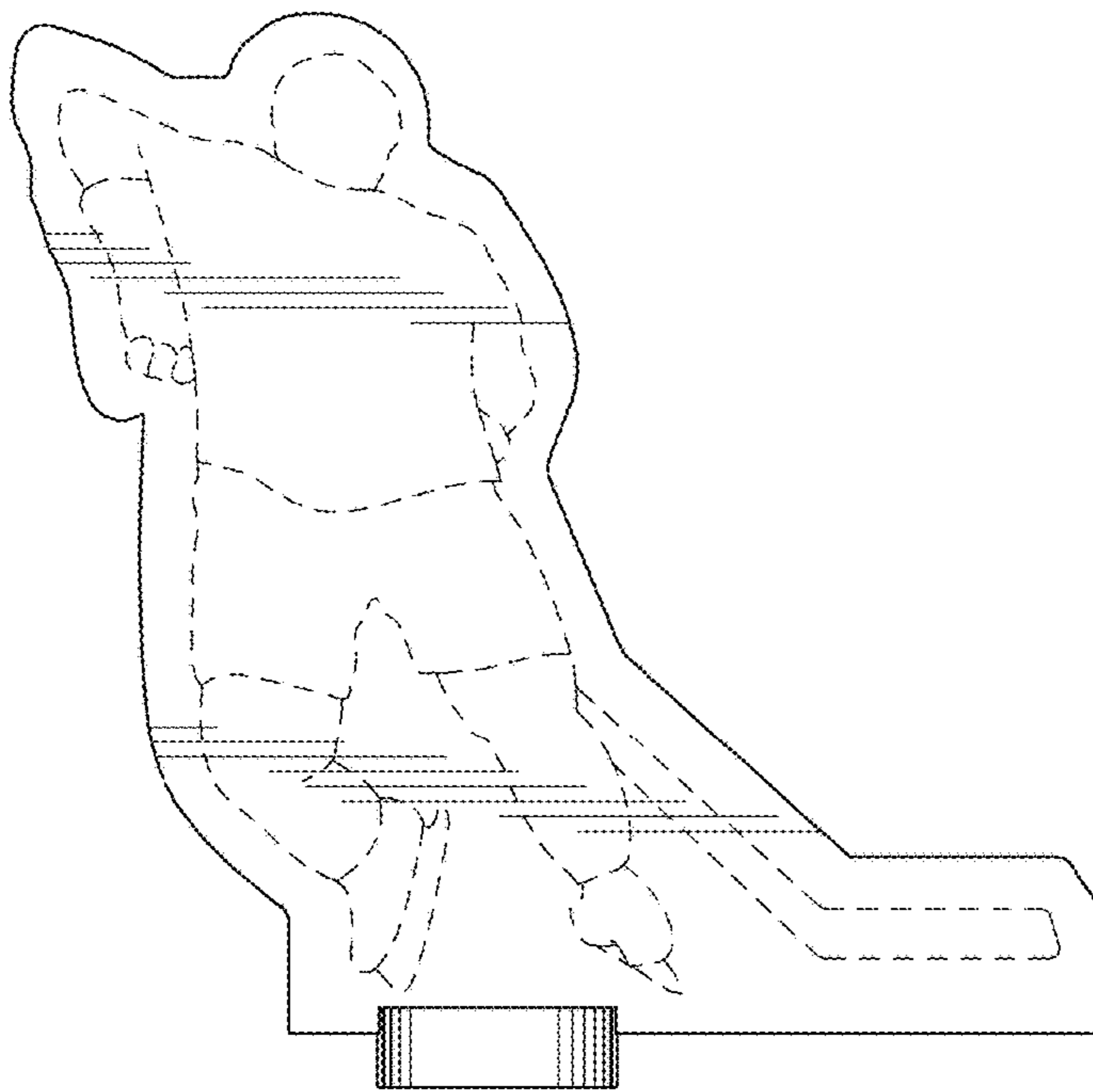


FIG. 5

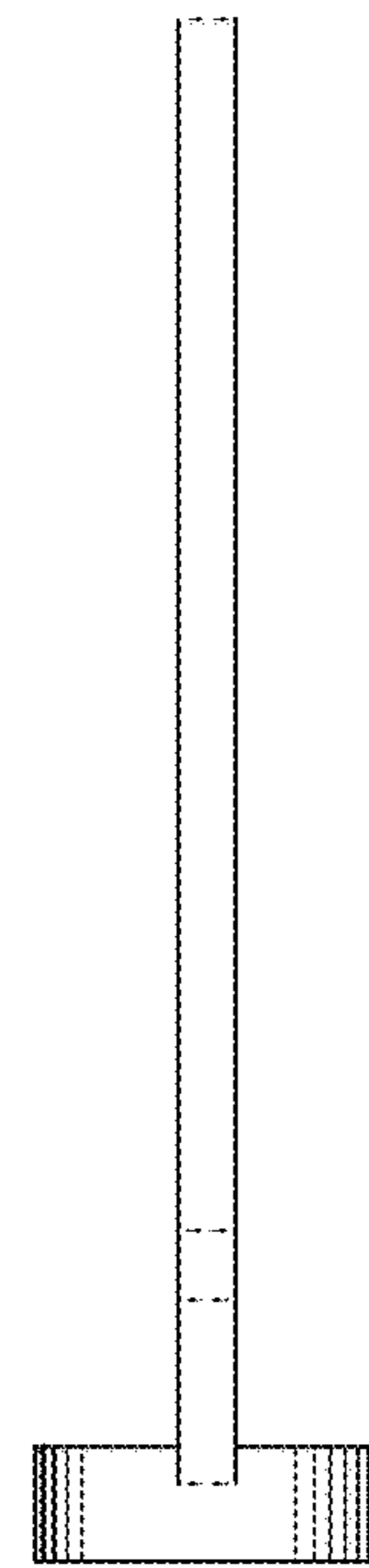


FIG. 7