



US00D839963S

(12) **United States Design Patent** (10) **Patent No.:** **US D839,963 S**
Canchola et al. (45) **Date of Patent:** **** Feb. 5, 2019**

- (54) **TAG**
- (71) Applicants: **Kim Canchola**, Canyon County, CA (US); **Marlena N. Coleman**, Studio City, CA (US); **Ronald G. Ennis**, Los Angeles, CA (US); **Shane Taghavi**, Valencia, CA (US)
- (72) Inventors: **Kim Canchola**, Canyon County, CA (US); **Marlena N. Coleman**, Studio City, CA (US); **Ronald G. Ennis**, Los Angeles, CA (US); **Shane Taghavi**, Valencia, CA (US)
- (73) Assignee: **Precision Dynamics Corporation**, Valencia, CA (US)
- (**) Term: **15 Years**
- (21) Appl. No.: **29/560,544**
- (22) Filed: **Apr. 7, 2016**

Related U.S. Application Data

- (62) Division of application No. 29/498,427, filed on Aug. 4, 2014, now Pat. No. Des. 762,263.
- (51) **LOC (11) Cl.** **19-08**
- (52) **U.S. Cl.**
USPC **D20/22**
- (58) **Field of Classification Search**
USPC D20/10, 11, 19, 22-28, 40, 99; D11/3, 5; D19/1, 2, 4, 9, 10
CPC G09F 1/00; G09F 1/02; G09F 1/06; G09F 1/10; G09F 1/12; G09F 3/00; G09F 3/005; G09F 3/02; G09F 3/04; G09F 3/08; G09F

(Continued)

(56) **References Cited**

U.S. PATENT DOCUMENTS

- 2,641,074 A 6/1953 Richmond
- 3,197,899 A * 8/1965 Twentier G09F 3/005
40/633

(Continued)

Primary Examiner — Mary Ann Calabrese
(74) *Attorney, Agent, or Firm* — Quarles & Brady LLP

(57) **CLAIM**

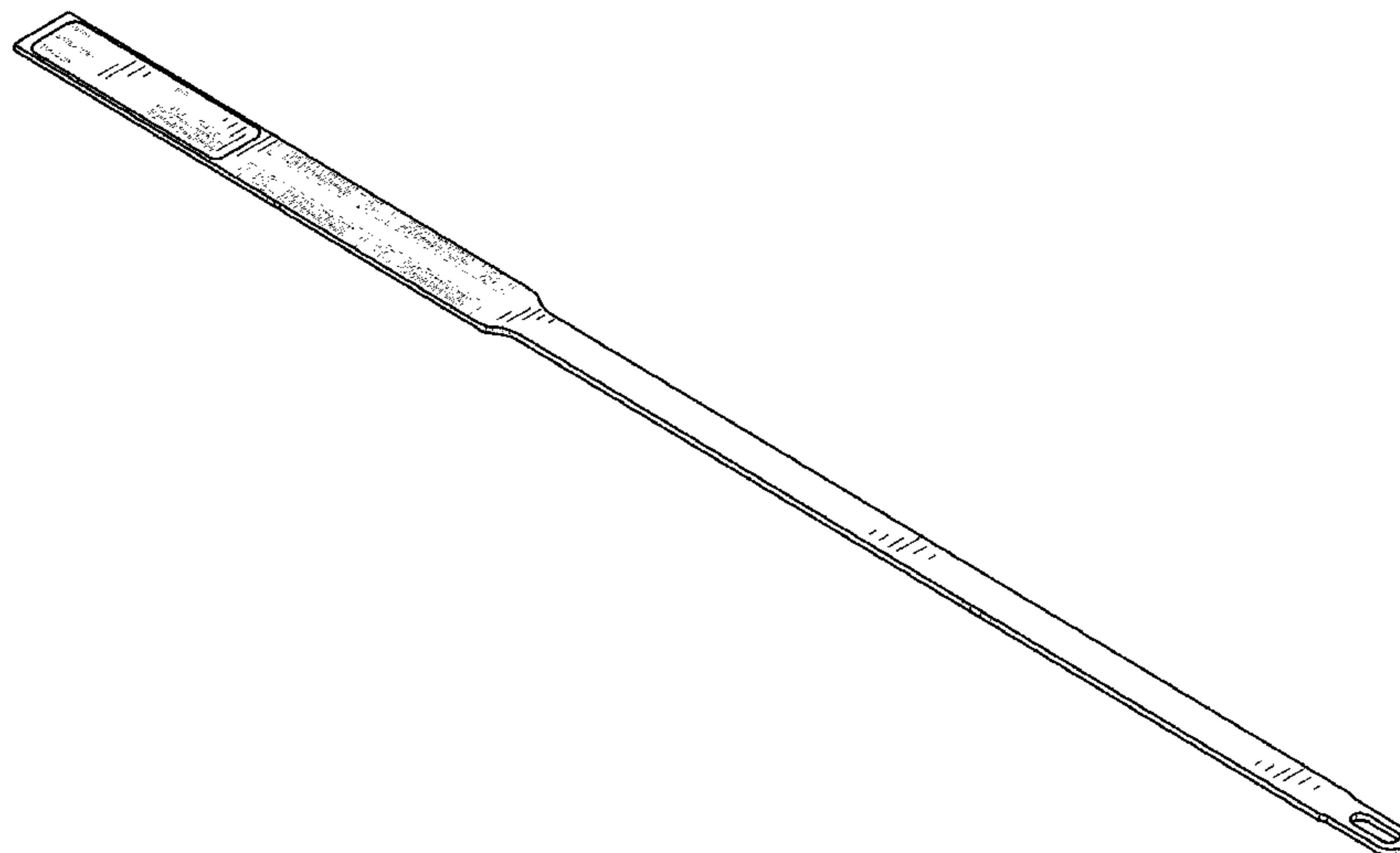
The ornamental design for a tag, as shown and described.

DESCRIPTION

FIG. 1 is a top, front, and right perspective view of a left hand version of the tag embodying our new design; FIG. 2 is a top plan view of the left hand version of the tag; FIG. 3 is a bottom plan view of the left hand version of the tag; FIG. 4 is a rear elevational view of the left hand version of the tag; FIG. 5 is a right elevational view of the left hand version of the tag; FIG. 6 is a left elevational view of the left hand version of the tag; FIG. 7 is a top, front, and right perspective view of a left hand version of the tag embodying our new design; FIG. 8 is a top plan view thereof; FIG. 9 is a bottom plan view thereof; FIG. 10 is a rear elevational view of the left hand version of the tag; FIG. 11 is a right elevational view of the left hand version of the tag; and, FIG. 12 is a left elevational view of the left hand version of the tag.

The broken line representations in the views are for illustrative purposes only and form no part of the claimed design. Instead, these broken lines illustrate boundaries, text, and barcodes that form no part of the claimed design. FIGS. 7-10 are shown broken away in its length. The appearance of any portion of the article between the break lines forms no part of claimed design.

1 Claim, 4 Drawing Sheets



(58) **Field of Classification Search**

CPC 3/14; G09F 3/16; G09F 3/20; G09F 3/203;
 G09F 3/207; G09F 3/0288; G09F 3/0289;
 G09F 3/0298; G09F 2003/0208; G09F
 2003/0222; G09F 2003/023; G09F
 2003/0257; G09F 2003/0264; G09F
 2003/0266; G09F 2003/0272; G09F
 2003/0273; G09F 2003/0285; A44C
 5/0053; A61B 5/117; B32B 3/10

See application file for complete search history.

6,546,656 B2 4/2003 Twentier
 D548,129 S 8/2007 Fineide
 D600,154 S * 9/2009 Ali A44C 5/0023
 D11/5
 7,779,570 B2 8/2010 Riley
 8,028,450 B2 10/2011 Landsman et al.
 8,117,777 B2 2/2012 Chadwick
 8,296,982 B2 10/2012 Bekker
 D675,123 S 1/2013 Nunez
 D703,755 S 4/2014 Joseph et al.
 D703,756 S 4/2014 Ennis et al.
 D707,296 S 6/2014 Joseph et al.
 9,235,994 B1 1/2016 Waltersdorf
 D762,263 S * 7/2016 Canchola D20/27
 D803,318 S * 11/2017 Ennis A44C 5/0053
 D20/22

(56) **References Cited**

U.S. PATENT DOCUMENTS

3,965,589 A 6/1976 McDermott
 4,199,882 A 4/1980 Clayman
 4,616,436 A 10/1986 De Woskin
 4,906,025 A 3/1990 Schreindl
 4,914,843 A * 4/1990 DeWoskin G09F 3/005
 283/75
 5,111,605 A 5/1992 Bossi
 5,657,645 A * 8/1997 Abraham A44C 5/0053
 63/3
 5,914,197 A * 6/1999 Goudjil A44C 5/0023
 250/372

2003/0075918 A1 4/2003 Levine et al.
 2003/0173408 A1 * 9/2003 Mosher, Jr. A61B 5/117
 235/492
 2005/0091896 A1 5/2005 Kotik et al.
 2005/0279001 A1 12/2005 Riley
 2006/0230661 A1 10/2006 Bekker
 2009/0171788 A1 7/2009 Tropper et al.
 2012/0037302 A1 2/2012 Valenti, Jr. et al.
 2013/0266685 A1 10/2013 Santiago
 2016/0078787 A1 * 3/2016 Canchola G09F 3/005
 40/633

* cited by examiner

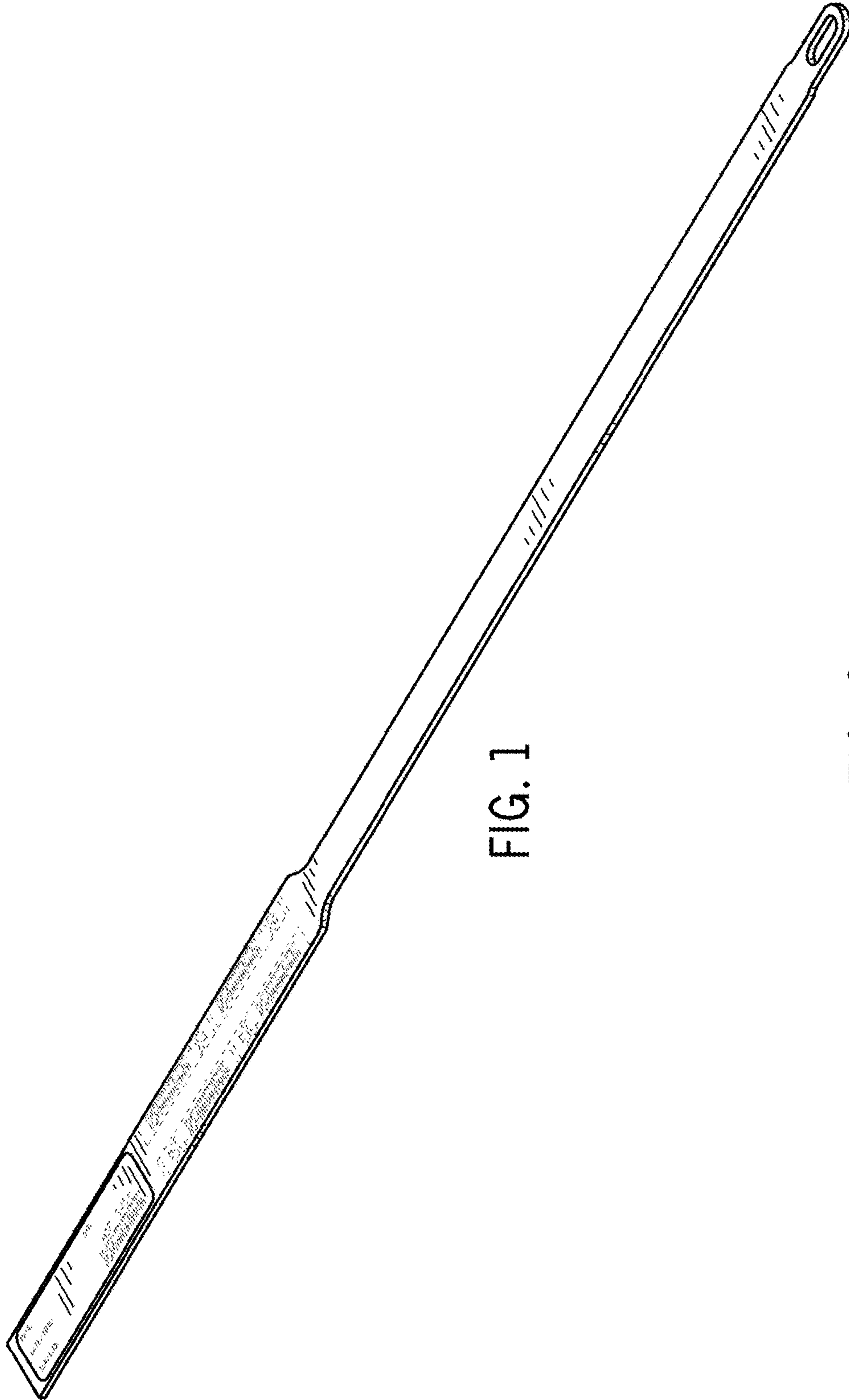


FIG. 1

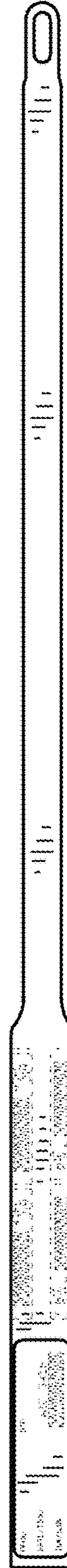


FIG. 2

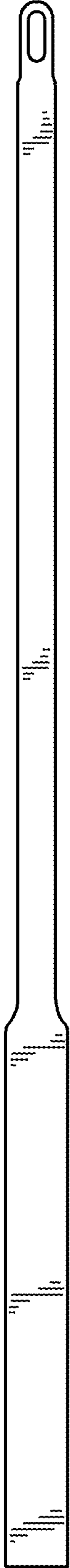


FIG. 3



FIG. 4



FIG. 5



FIG. 6

3 / 4

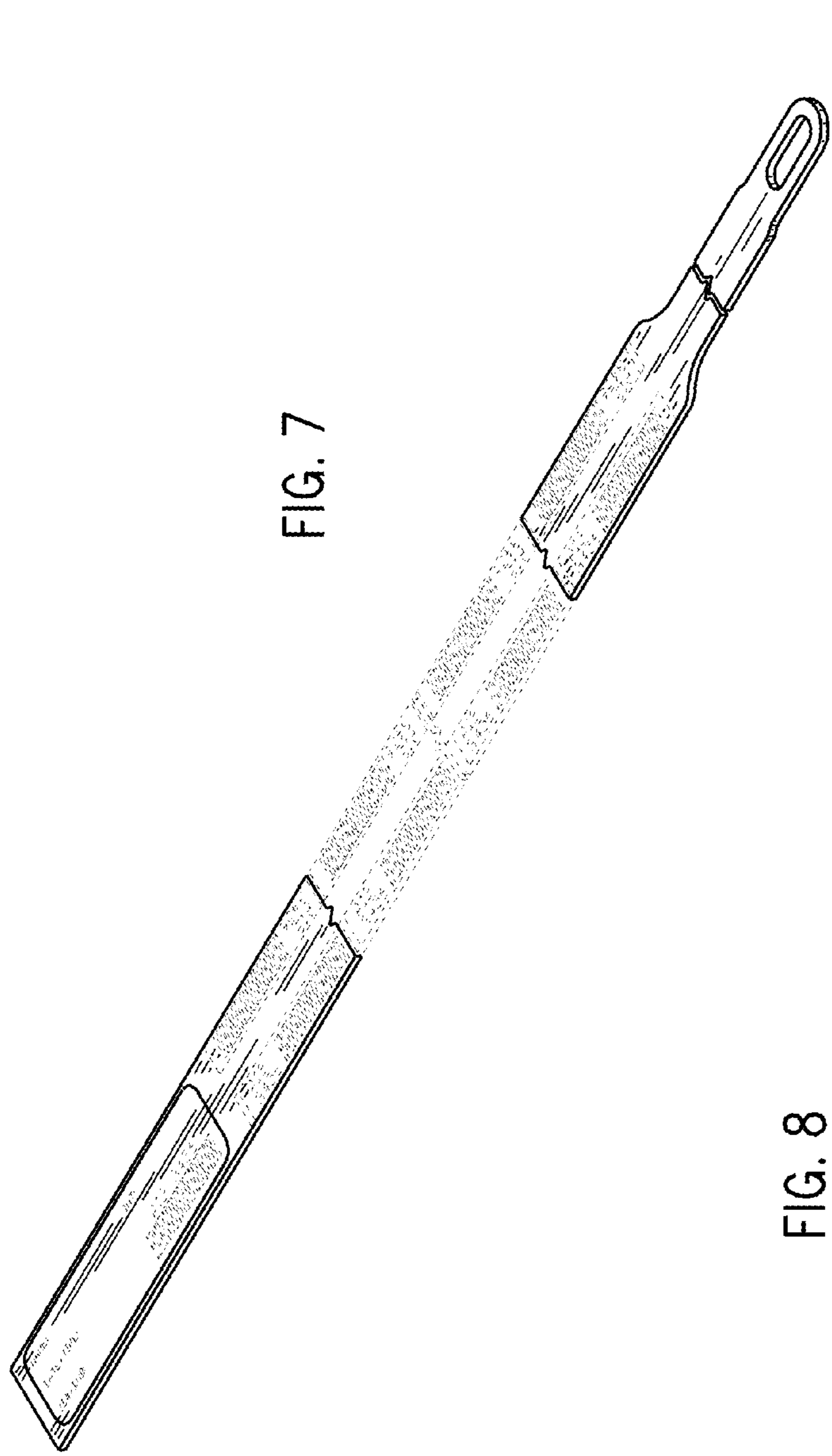


FIG. 7

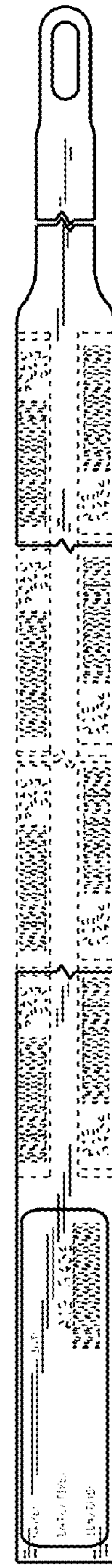


FIG. 8

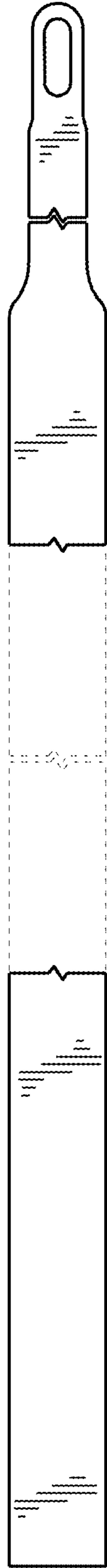


FIG. 9

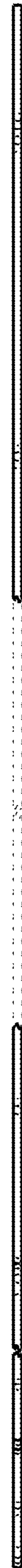


FIG. 10

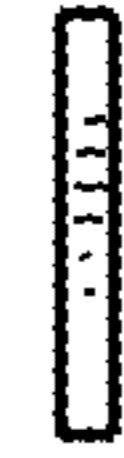


FIG. 11

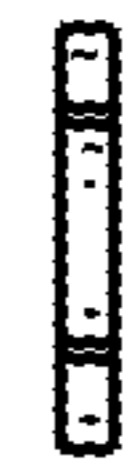


FIG. 12