



US00D839962S

(12) **United States Design Patent** (10) **Patent No.:** **US D839,962 S**
Canchola et al. (45) **Date of Patent:** **** Feb. 5, 2019**

(54) **WRIST BAND WITH A DETACHABLE FLAG LABEL**

FOREIGN PATENT DOCUMENTS

WO 2005017883 A2 2/2005

(71) Applicants: **Kim Canchola**, Canyon Country, CA (US); **Ronald G. Ennis**, Los Angeles, CA (US); **Shane Taghavi**, Valencia, CA (US)

OTHER PUBLICATIONS

Medi-Dose EPS, LiquiDose Flag and Receipt Labels—Small Thermal—LDF200-T, Product Information, Copyright 2010 The Medi-Dose Group (Medi-Dose / EPS / Vu-Pak), <http://www.medidose.com/FlagandReceiptLabels-SmallThermal-LDF200-T.aspx>, Printed May 21, 2014.

(72) Inventors: **Kim Canchola**, Canyon Country, CA (US); **Ronald G. Ennis**, Los Angeles, CA (US); **Shane Taghavi**, Valencia, CA (US)

Primary Examiner — Mary Ann Calabrese

(73) Assignee: **Precision Dynamics Corporation**, Valencia, CA (US)

(74) *Attorney, Agent, or Firm* — Quarles & Brady LLP

(**) Term: **15 Years**

(57) **CLAIM**

The ornamental design for a wristband with a detachable flag label, as shown and described.

(21) Appl. No.: **29/560,427**

DESCRIPTION

(22) Filed: **Apr. 6, 2016**

Related U.S. Application Data

(62) Division of application No. 29/502,335, filed on Sep. 15, 2014, now Pat. No. Des. 772,984.

(51) **LOC (11) Cl.** **19-08**

(52) **U.S. Cl.**
USPC **D20/22**

(58) **Field of Classification Search**
USPC D20/10, 11, 19, 22–28, 40, 99; D11/3, 5; D19/1, 2, 4, 9, 10

(Continued)

(56) **References Cited**

U.S. PATENT DOCUMENTS

3,197,899 A * 8/1965 Twentier G09F 3/005
40/633
4,914,843 A * 4/1990 DeWoskin G09F 3/005
283/75

(Continued)

FIG. 1 is a top, front, and left perspective view of a wristband with a detachable flag label, according to our new design;

FIG. 2 is a top plan view of the wristband with the detachable flag label of FIG. 1;

FIG. 3 is a bottom plan view of the wristband with the detachable flag label of FIG. 1;

FIG. 4 is a front elevational view of the wristband with the detachable flag label of FIG. 1;

FIG. 5 is a rear elevational view of the wristband with the detachable flag label of FIG. 1;

FIG. 6 is a left elevational view of the wristband with the detachable flag label of FIG. 1;

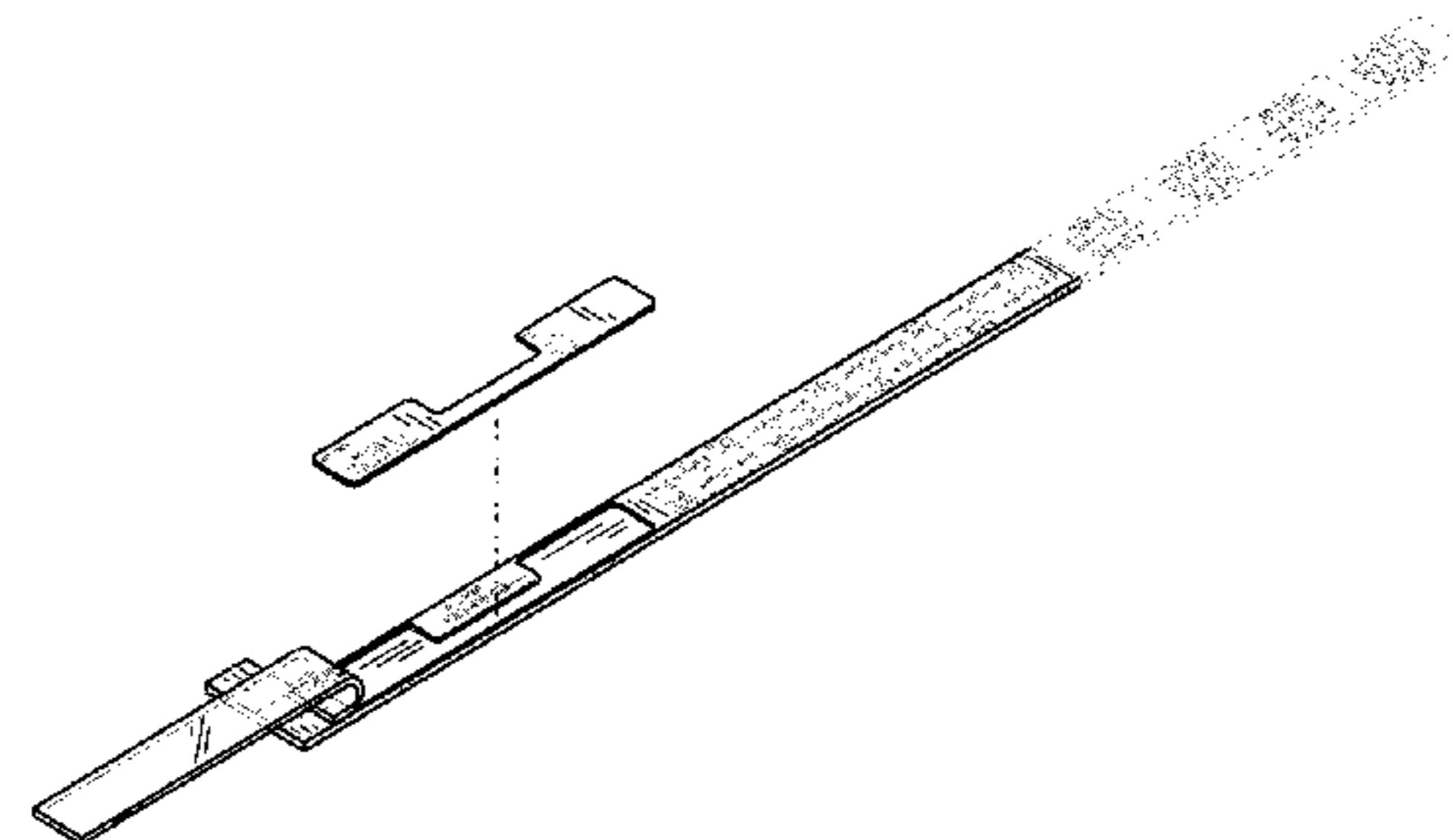
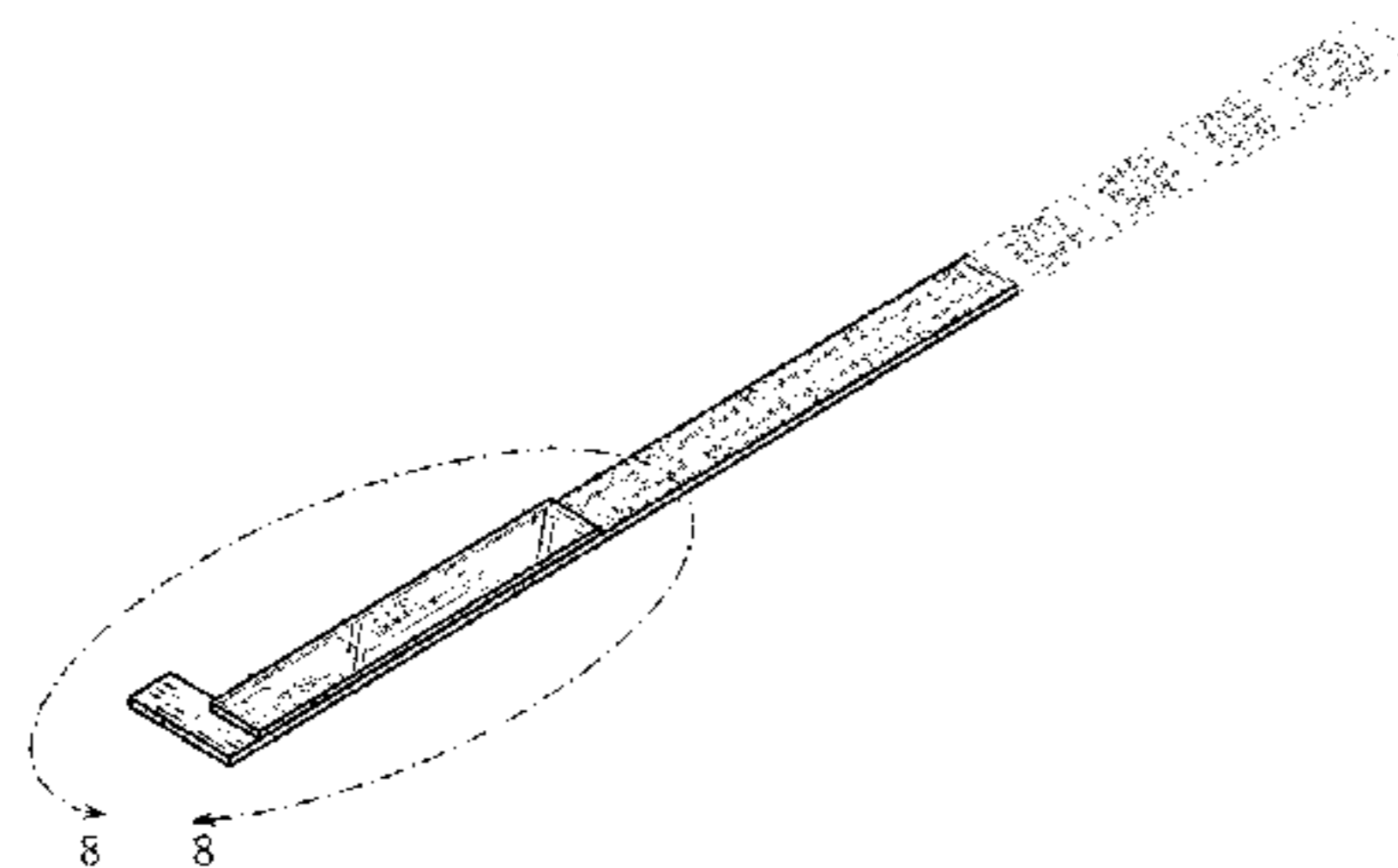
FIG. 7 is a right elevational view of the wristband with the detachable flag label of FIG. 1;

FIG. 8 is a detailed view of the wristband with the detachable flag label taken from line 8-8 of FIG. 1; and,

FIG. 9 is an exploded view showing the flag label separated from the remainder of the wristband.

The broken lines illustrate boundaries and text that form no part of the claimed design.

1 Claim, 5 Drawing Sheets



(58) **Field of Classification Search**

CPC G09F 1/00; G09F 1/02; G09F 1/06; G09F 1/10; G09F 1/12; G09F 3/00; G09F 3/005; G09F 3/02; G09F 3/04; G09F 3/08; G09F 3/14; G09F 3/16; G09F 3/20; G09F 3/203; G09F 3/207; G09F 3/0288; G09F 3/0289; G09F 3/0298; G09F 2003/0208; G09F 2003/0222; G09F 2003/023; G09F 2003/0257; G09F 2003/0264; G09F 2003/0266; G09F 2003/0272; G09F 2003/0273; G09F 2003/0285; A44C 5/0053; A61B 5/117; B32B 3/10

See application file for complete search history.

(56) **References Cited**

U.S. PATENT DOCUMENTS

4,921,277 A 5/1990 McDonough
 5,914,197 A * 6/1999 Goudjil A44C 5/0023
 250/372
 D519,871 S 5/2006 Curtis et al.
 7,047,682 B2 5/2006 Riley
 7,119,690 B2 10/2006 Lerch et al.
 RE41,822 E 10/2010 Henley
 7,941,949 B2 5/2011 Cloninger

D653,148 S 1/2012 Bekker
 8,296,982 B2 10/2012 Bekker
 8,490,307 B2 7/2013 Landsman et al.
 D703,755 S 4/2014 Joseph et al.
 D703,756 S 4/2014 Ennis et al.
 D707,296 S 6/2014 Joseph et al.
 D712,295 S 9/2014 Ennis et al.
 9,235,994 B1 * 1/2016 Waltersdorf G09F 3/201
 D762,263 S * 7/2016 Canchola A61B 5/117
 D20/27
 D772,984 S * 11/2016 Canchola A44C 5/0023
 D20/22
 D803,318 S * 11/2017 Ennis G09F 3/005
 D20/22
 2003/0173408 A1 * 9/2003 Mosher, Jr. A61B 5/117
 235/492
 2005/0091896 A1 * 5/2005 Kotik G06K 19/041
 40/633
 2006/0202829 A1 9/2006 Girvin et al.
 2006/0230661 A1 10/2006 Bekker
 2007/0028495 A1 * 2/2007 Kotik G06K 19/041
 40/633
 2012/0036753 A1 2/2012 Landsman et al.
 2012/0037302 A1 * 2/2012 Valenti, Jr. B32B 3/10
 156/234
 2012/0313364 A1 12/2012 Tessitore
 2016/0078787 A1 * 3/2016 Canchola G09F 3/005
 40/633

* cited by examiner

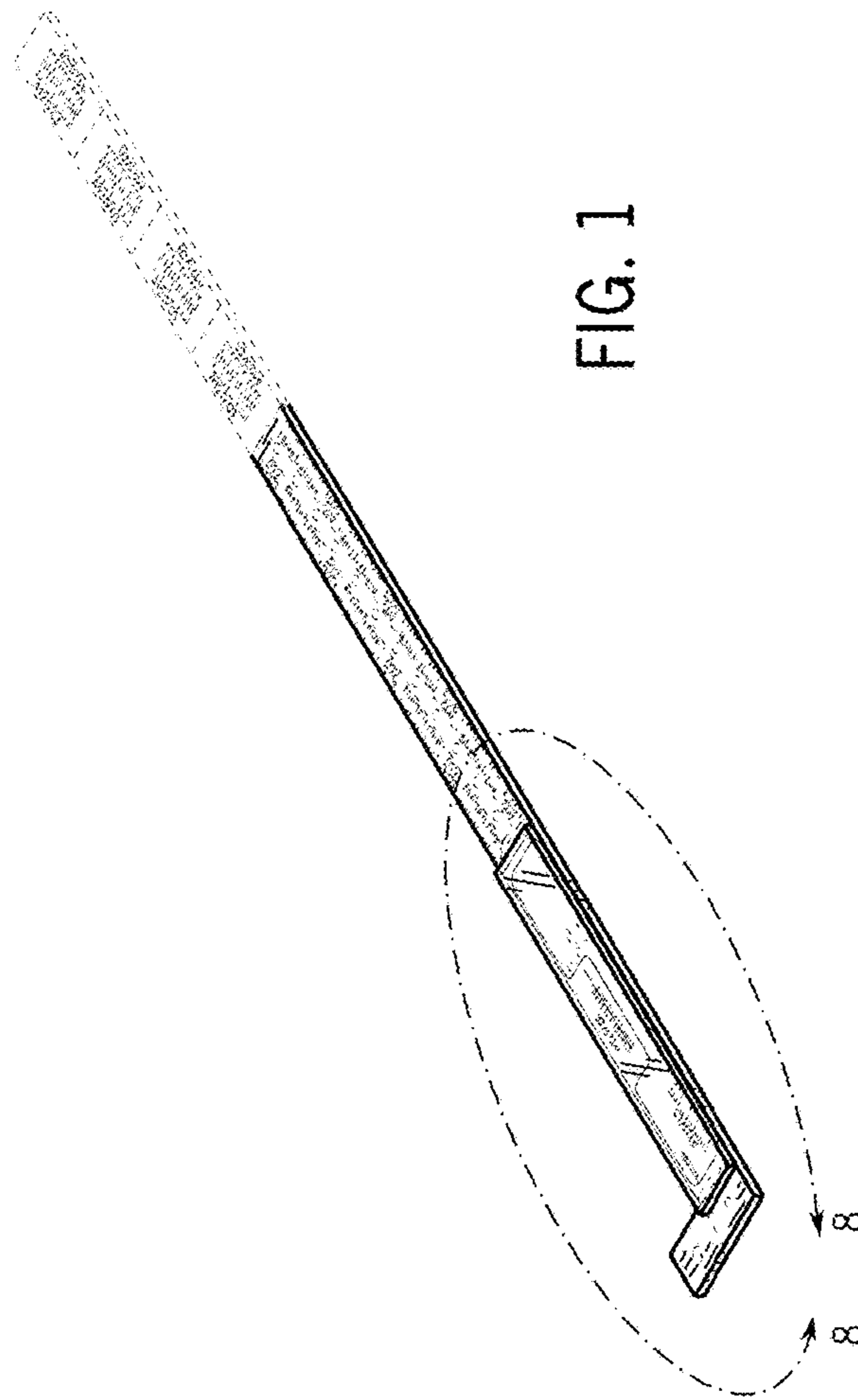




FIG. 2

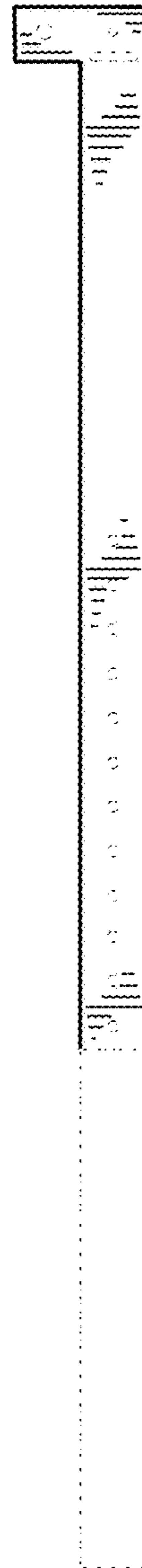


FIG. 3



FIG. 4



FIG. 5



FIG. 6



FIG. 7

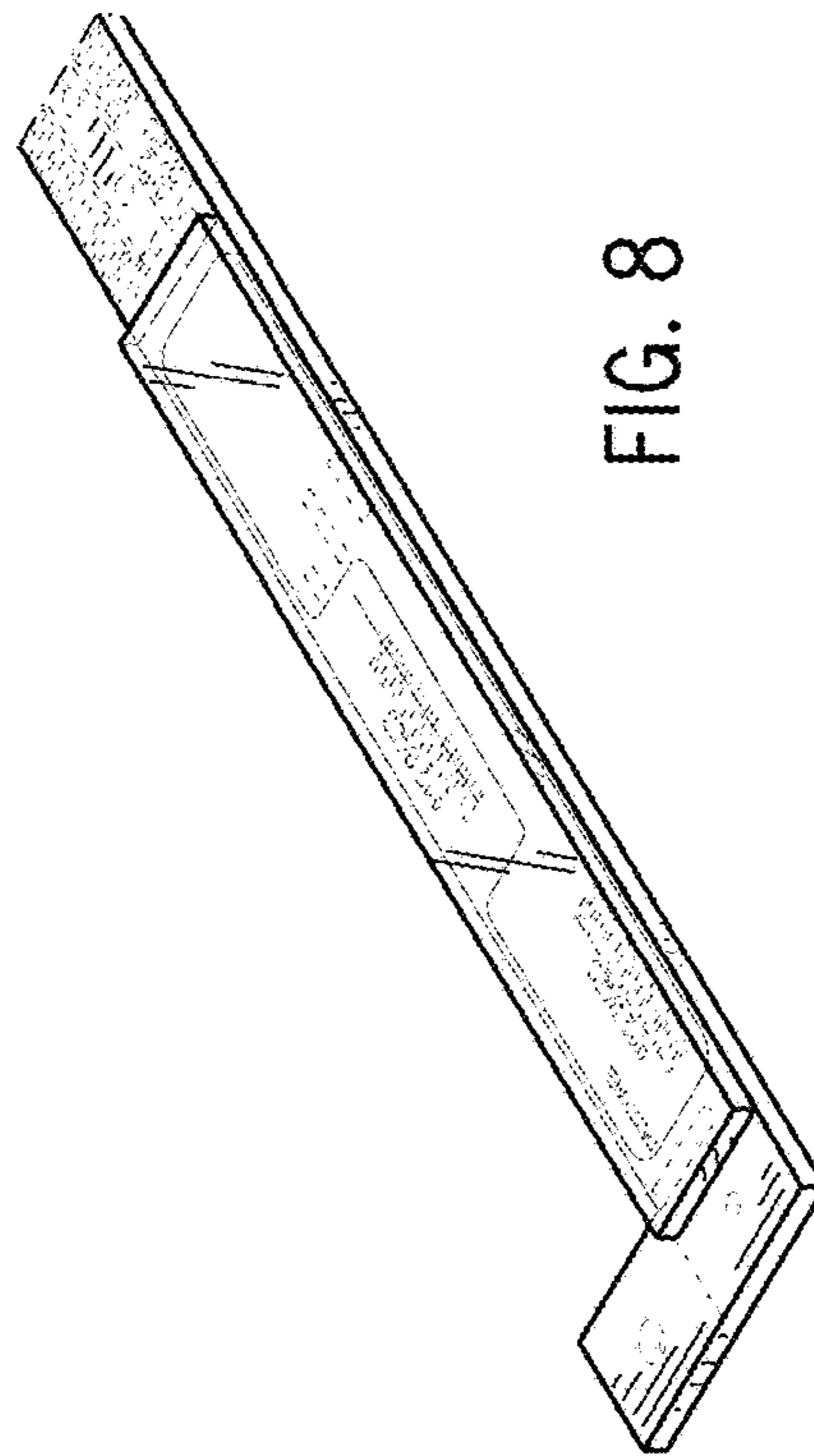


FIG. 8

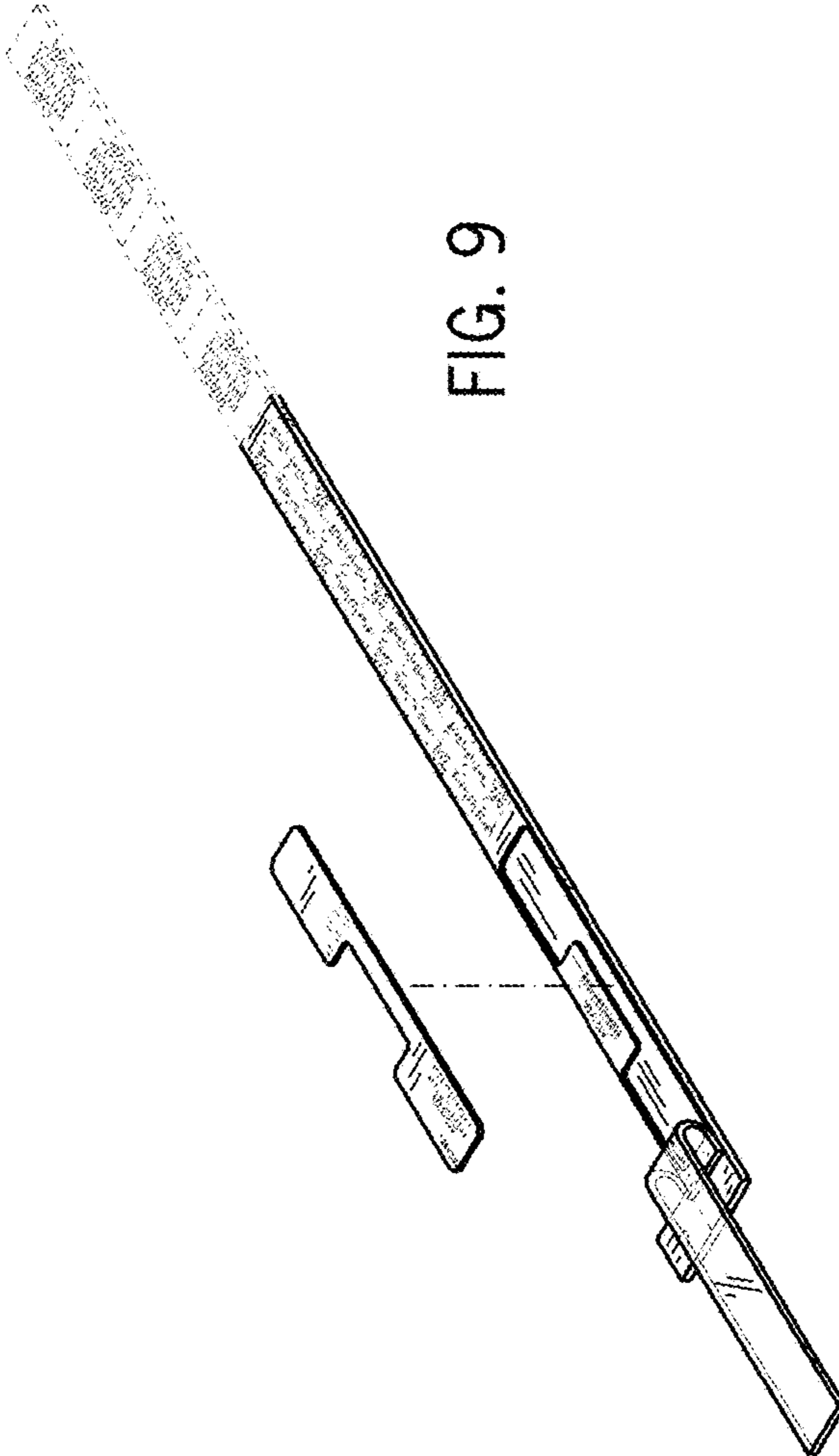


FIG. 9