



US00D839961S

(12) **United States Design Patent**
Hall et al.

(10) **Patent No.:** **US D839,961 S**
(45) **Date of Patent:** **** Feb. 5, 2019**

- (54) **RECEPTACLE BILLBOARD** 6,105,293 A * 8/2000 Eason A01G 9/006
40/645
- (71) Applicant: **Rubbermaid Commercial Products** D480,434 S * 10/2003 Brinkman D20/43
LLC, Atlanta, GA (US) D546,892 S * 7/2007 Bruegmann D20/44
7,325,348 B2 * 2/2008 Mueller G09F 3/204
40/649
- (72) Inventors: **Miguel Arthur Hall**, Cornelius, NC D573,656 S * 7/2008 Wamsley D20/43
(US); **Ryan Michael Baker**, Charlotte, D640,750 S * 6/2011 Bird D20/44
NC (US); **Michael Paul Dawson**, 8,286,379 B2 * 10/2012 Martin A01G 9/006
Huntersville, NC (US); **Paul Martus**, 40/645
Grand Rapids, MI (US)

(Continued)

(73) Assignee: **Rubbermaid Commercial Products**
LLC, Atlanta, GA (US)

Primary Examiner — Mary Ann Calabrese

Assistant Examiner — Sloan Rozin

(74) *Attorney, Agent, or Firm* — Eversheds Sutherland
(US) LLP

(**) Term: **15 Years**

(21) Appl. No.: **29/604,638**

(57) **CLAIM**

We claim the ornamental design for a receptacle billboard,
as shown and described.

(22) Filed: **May 18, 2017**

(51) **LOC (11) Cl.** **20-03**

(52) **U.S. Cl.**
USPC **D20/10**

(58) **Field of Classification Search**
USPC ... D20/10, 11, 22–25, 27–29, 31, 39–43, 99
CPC .. G09F 21/026; G09F 2021/023; G09F 21/02;
G09F 2003/0208; G09F 2003/0264; G09F
7/00; G09F 3/206; G09F 13/00; G09F
2007/1807; G09F 13/04; G09F
2013/0427; G09F 2013/0495; G09F 1/00;
G09F 1/02; G09F 2003/023; G09F
2003/0261; G09D 3/00

See application file for complete search history.

(56) **References Cited**

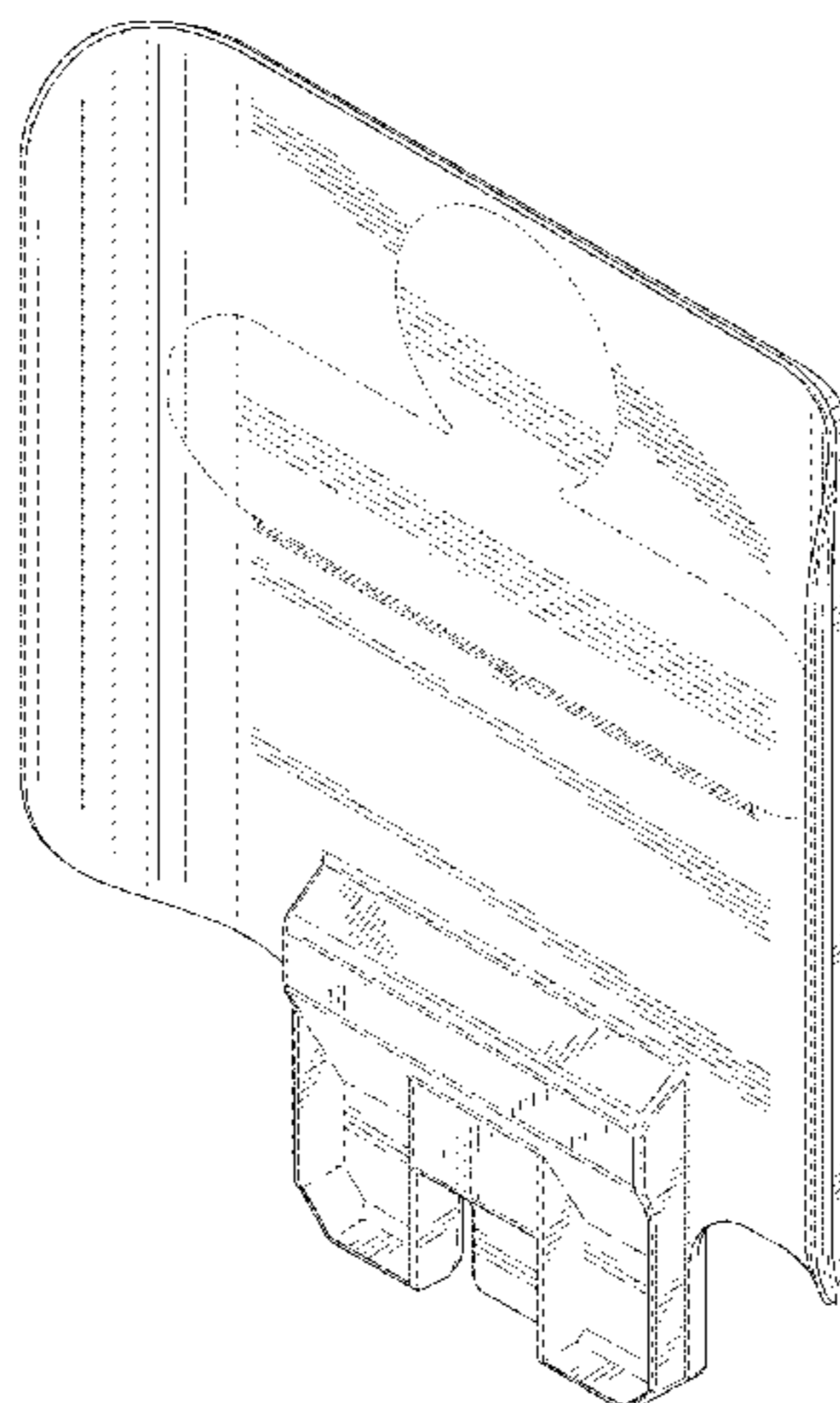
U.S. PATENT DOCUMENTS

- 2,639,524 A * 5/1953 Irving G09F 3/12
40/645
- 3,057,093 A * 10/1962 Gallo G09F 1/10
40/645
- 5,369,902 A * 12/1994 Minster G09F 3/12
156/306.6

DESCRIPTION

FIG. 1 is an upper perspective view showing our new design for a receptacle billboard;
 FIG. 2 is a lower perspective view showing the design of FIG. 1;
 FIG. 3 is a front view showing the design of FIG. 1;
 FIG. 4 is a back view showing the design of FIG. 1;
 FIG. 5 is a first side view showing the design of FIG. 1;
 FIG. 6 is a second side view showing the design of FIG. 1;
 FIG. 7 is a top view showing the design of FIG. 1;
 FIG. 8 is a bottom view showing the design of FIG. 1;
 FIG. 9 is an upper perspective view showing the receptacle billboard of FIG. 1 associated with a waste receptacle; and,
 FIG. 10 is a cross-sectional view taken along 10-10 in FIG. 4, showing the receptacle billboard of FIG. 1 associated with a waste receptacle.
 In FIGS. 1-9, the broken lines illustrate environment and do not form part of the claimed design.

1 Claim, 8 Drawing Sheets



(56)

References Cited

U.S. PATENT DOCUMENTS

D692,955 S * 11/2013 Kopco D20/43
D704,774 S * 5/2014 Kopco D20/43
D705,359 S * 5/2014 Kopco D20/43
9,038,300 B2 * 5/2015 Theisen G09F 3/204
40/658
D755,303 S * 5/2016 Bissonnette D20/43
D775,280 S * 12/2016 Champ D20/43
D777,840 S * 1/2017 Kott D20/43
D777,841 S * 1/2017 Kott D20/43
D778,367 S * 2/2017 Kott D20/43
D783,719 S * 4/2017 Piffaretti D20/10
D791,876 S * 7/2017 Nogueira Pires D20/10
D796,579 S * 9/2017 Souhala D20/43

* cited by examiner

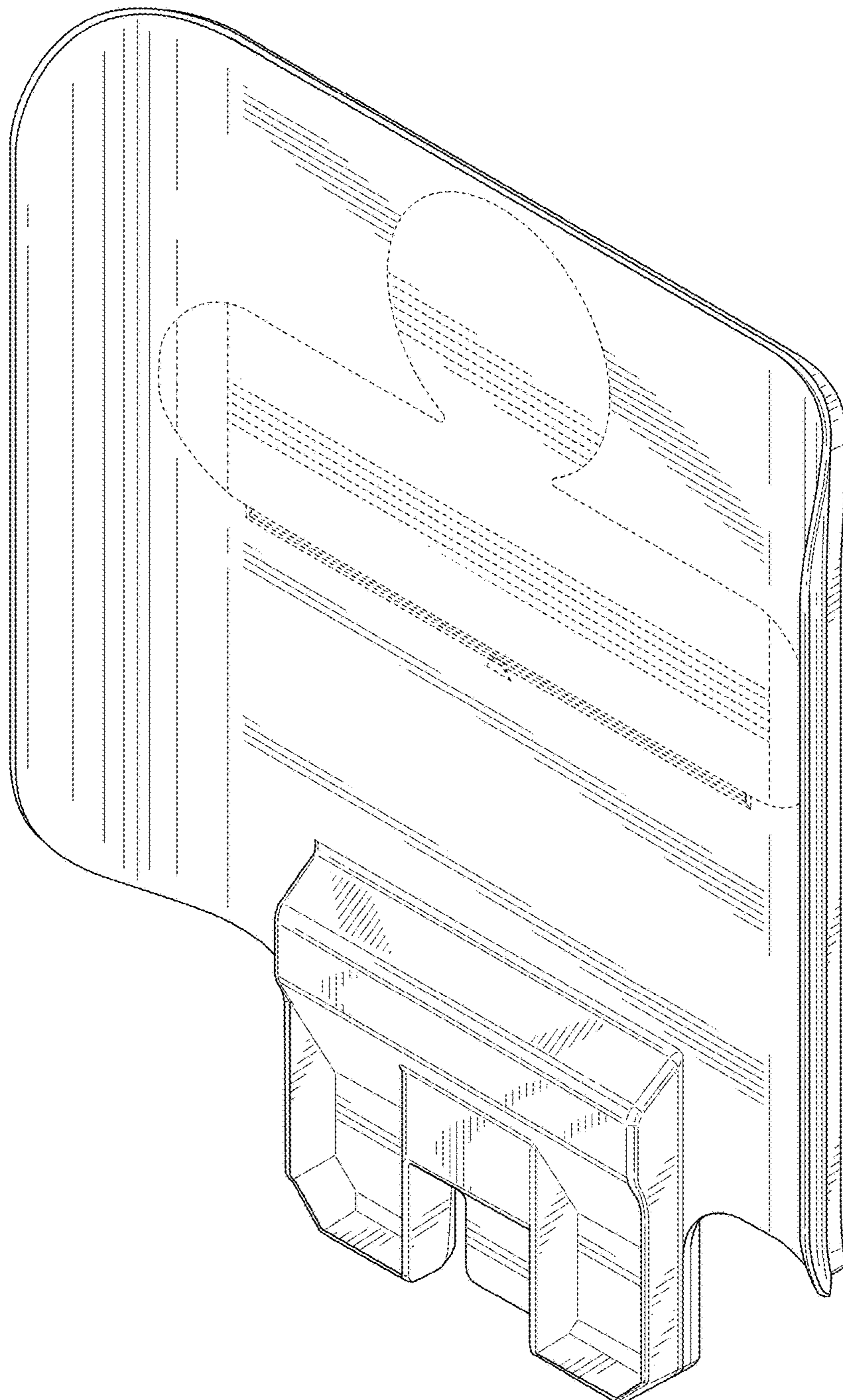


FIG. 1

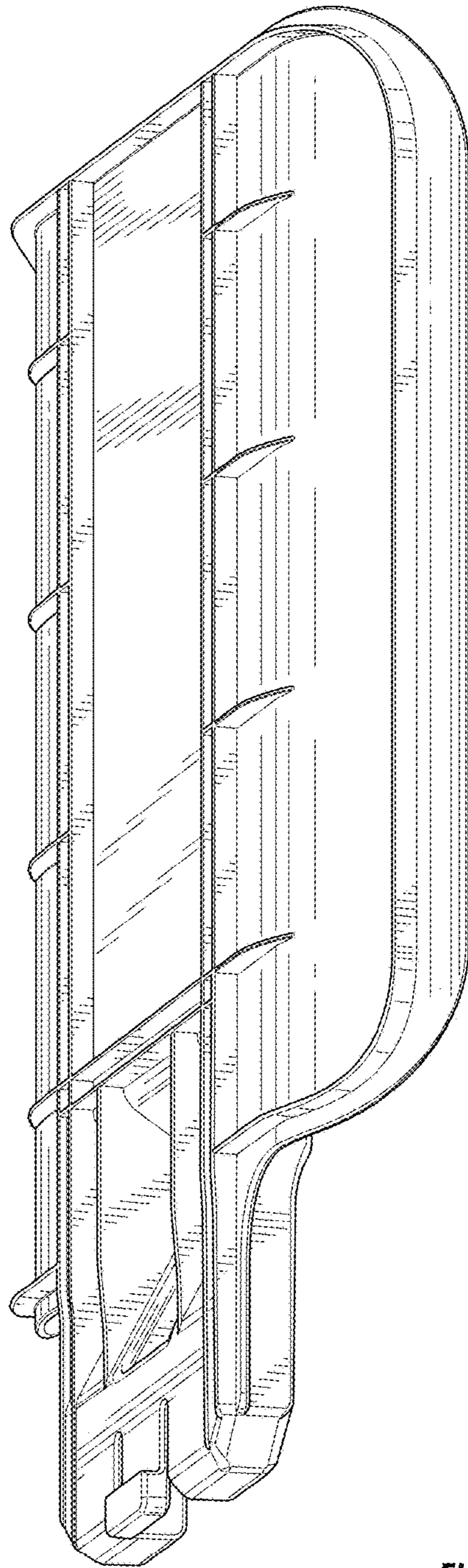


FIG. 2

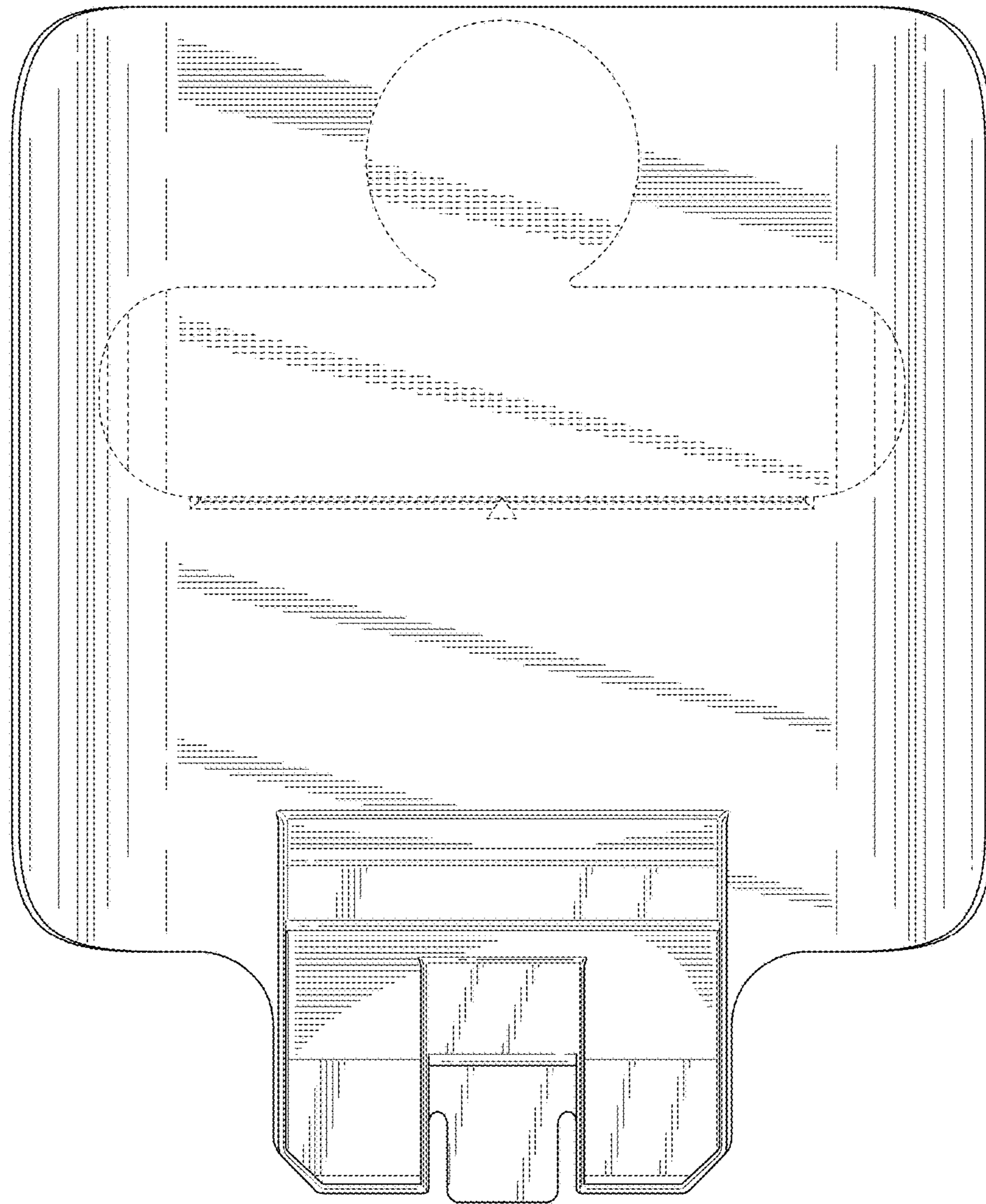
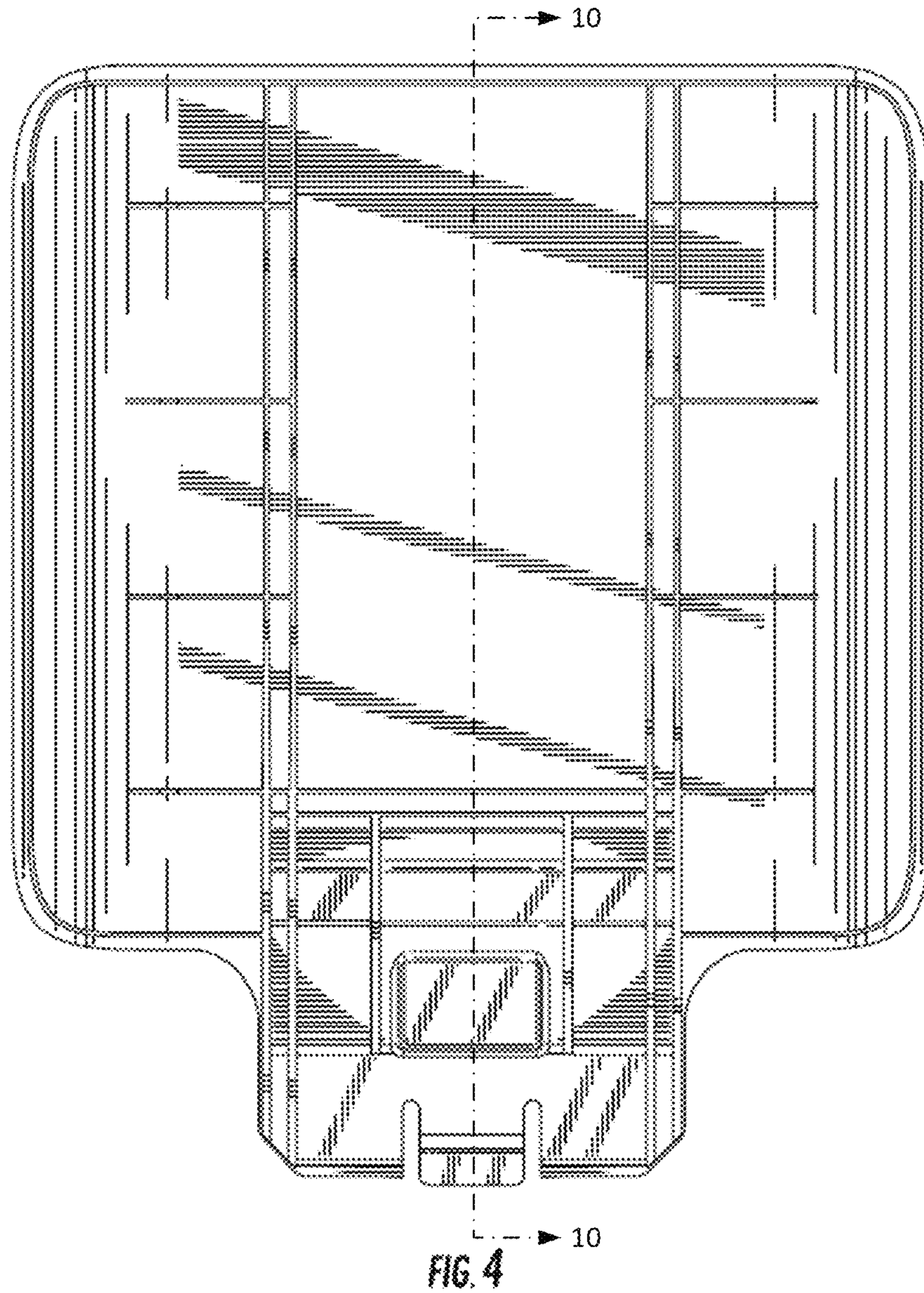


FIG. 3



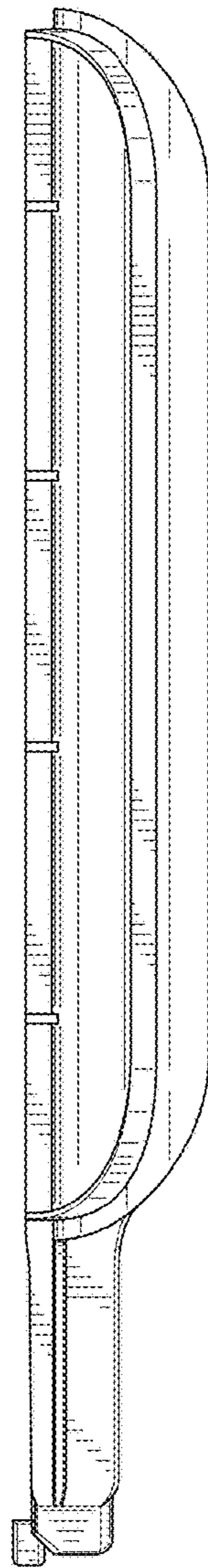


FIG. 5

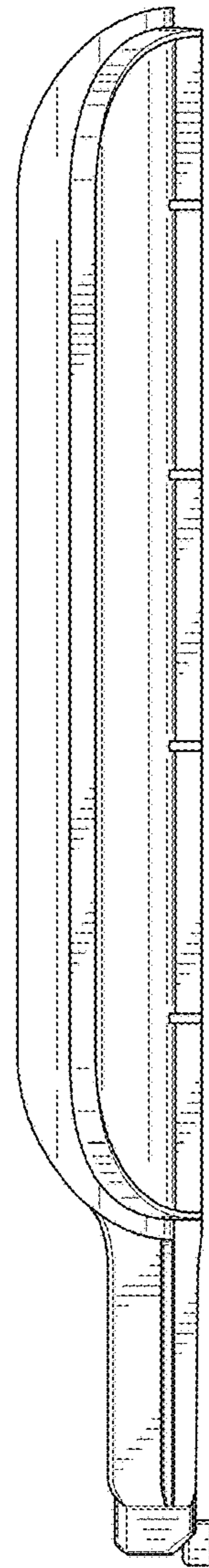


FIG. 6

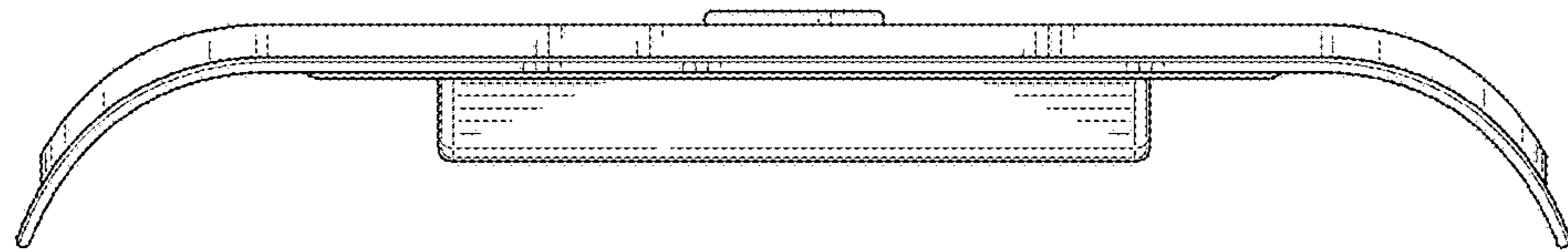


FIG. 7

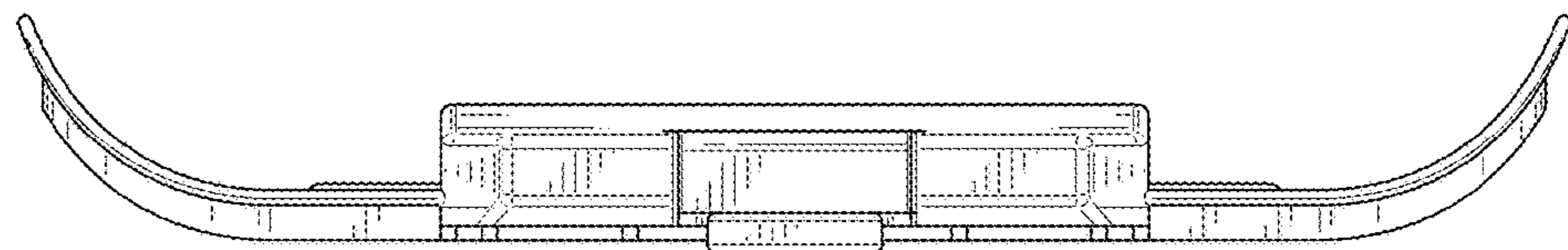


FIG. 8

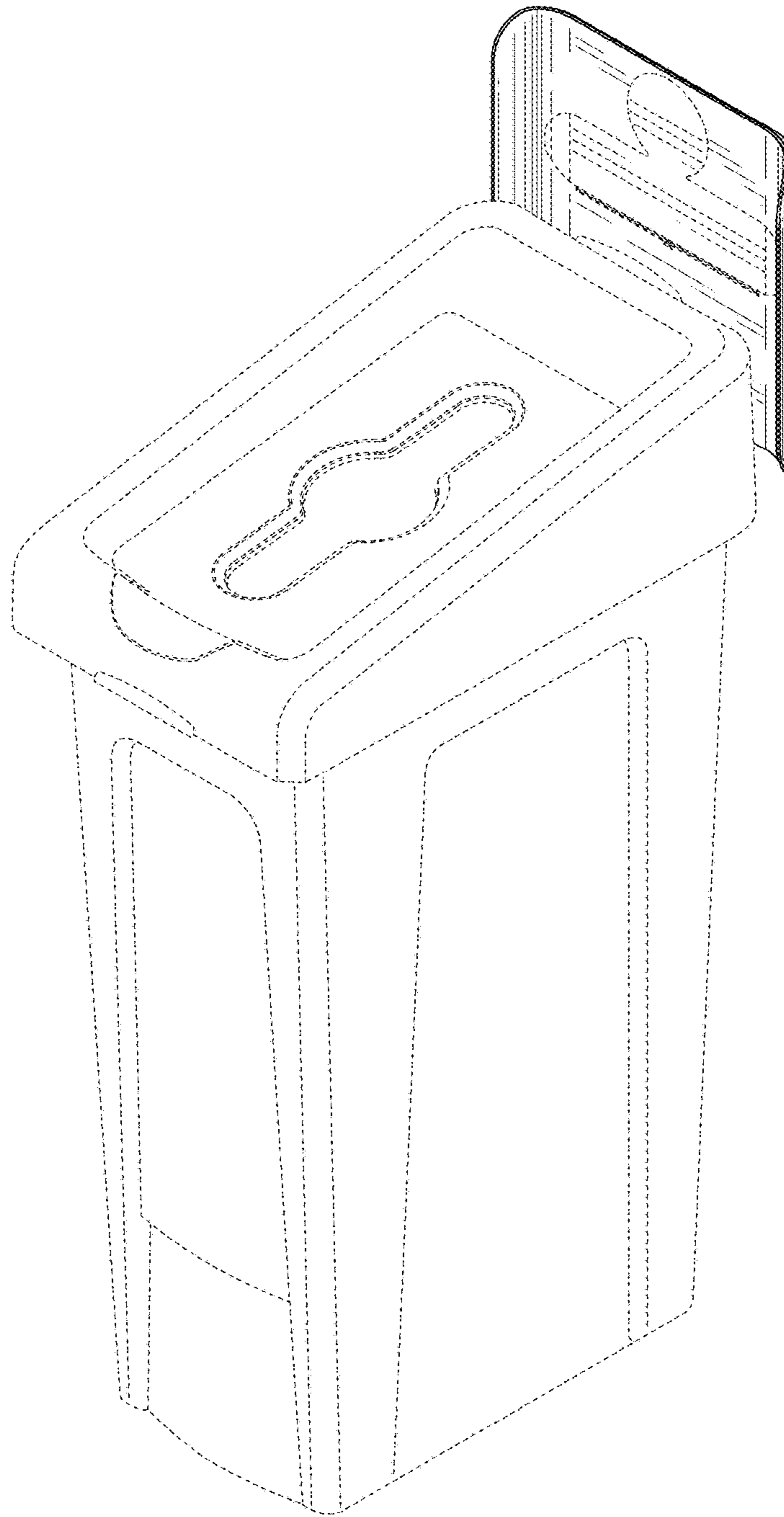


FIG. 9

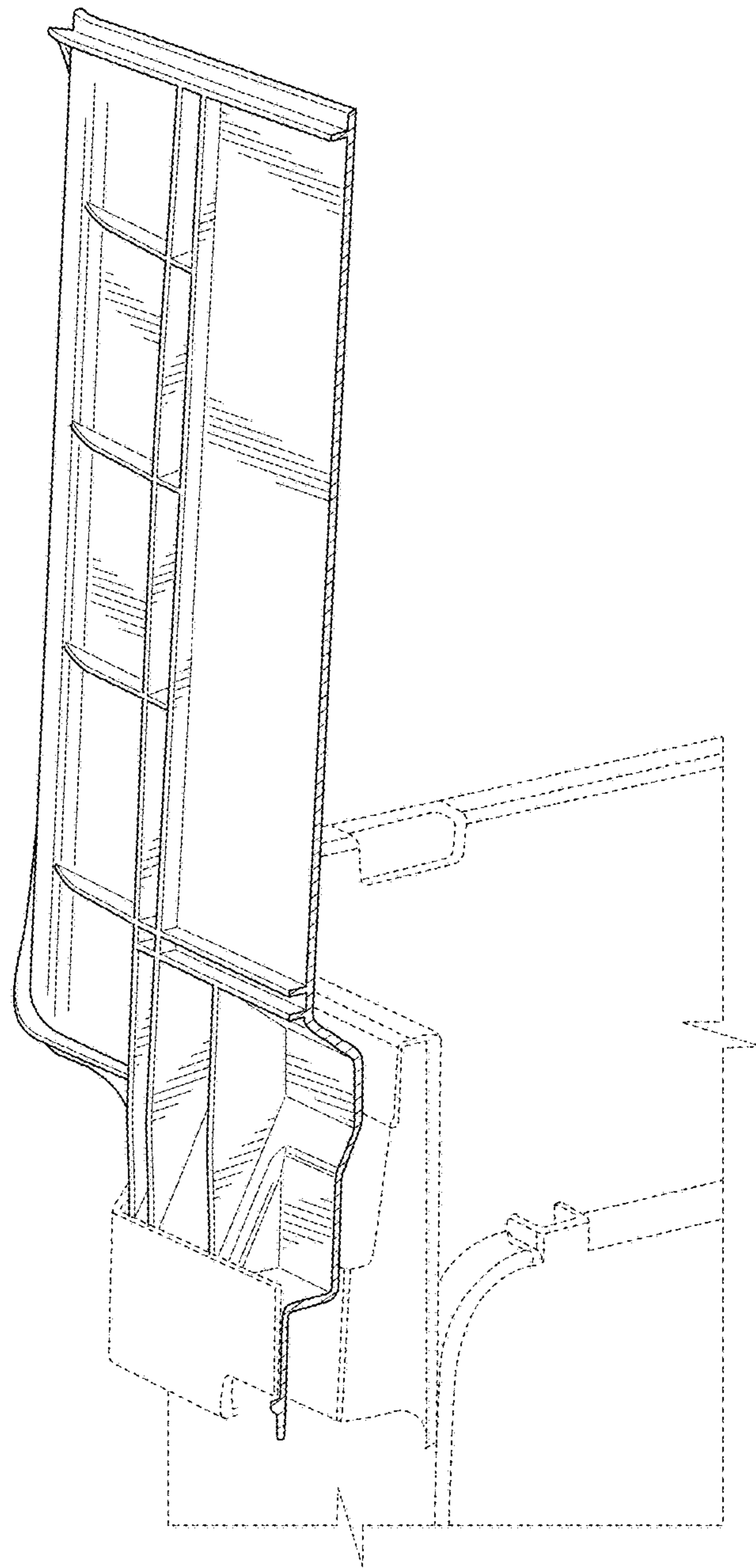


FIG. 10