



US00D839958S

(12) **United States Design Patent**
Stevens

(10) **Patent No.:** **US D839,958 S**

(45) **Date of Patent:** **** Feb. 5, 2019**

- (54) **WRITING AID**
- (71) Applicant: **Kimberly R. Stevens**, Williamston, NC (US)
- (72) Inventor: **Kimberly R. Stevens**, Williamston, NC (US)
- (**) Term: **15 Years**
- (21) Appl. No.: **29/607,698**
- (22) Filed: **Jun. 15, 2017**
- (51) **LOC (11) Cl.** **19-06**
- (52) **U.S. Cl.**
USPC **D19/101**
- (58) **Field of Classification Search**
USPC D19/32, 34, 37, 40, 101, 108; D10/37, D10/40, 64; D9/457
CPC G09B 11/00; G09B 11/04; G09B 11/06; G09B 21/002; B43L 13/02; B43L 13/028; B43L 13/04; B43L 13/20
See application file for complete search history.

- 1,607,544 A * 11/1926 McCready B41J 29/15 116/240
- 1,862,573 A * 6/1932 Grosz B42D 3/14 116/239
- 2,081,893 A * 5/1937 Lozier B44C 5/00 428/10
- 2,337,405 A * 12/1943 Noel B42D 1/005 225/88
- 2,585,421 A * 2/1952 Armand B42D 9/008 116/235
- D184,834 S * 4/1959 Schlaechter D10/64
- D216,439 S * 1/1970 Simms D10/64
- 4,183,143 A * 1/1980 Root B43L 13/04 156/230

(Continued)

OTHER PUBLICATIONS

Typoscope, 3 1/2x5 inches, MaxiAids, ASIN: B00011R5ZG, UPC: 612750921803, Amazon.com, earliest of two reviews dated Jan. 7, 2012.*

Primary Examiner — Elizabeth A. Albert
(74) *Attorney, Agent, or Firm* — Ward and Smith, P.A.; Ryan K. Simmons

(56) **References Cited**

U.S. PATENT DOCUMENTS

- 391,419 A * 10/1888 McColloch B41J 11/60 451/445
- 399,768 A * 3/1889 Mehrer B42D 9/008 116/235
- 598,666 A * 2/1898 Thomas B42D 9/005 116/236
- 627,132 A * 6/1899 McBride G09B 11/04 434/165
- 651,894 A * 6/1900 Shermer B41J 11/60 400/695
- 1,232,116 A * 7/1917 Stechan B42D 9/005 116/236
- 1,353,279 A * 9/1920 Schulthess B43L 7/00 116/240
- 1,538,331 A * 5/1925 Jett B42D 9/00 281/42

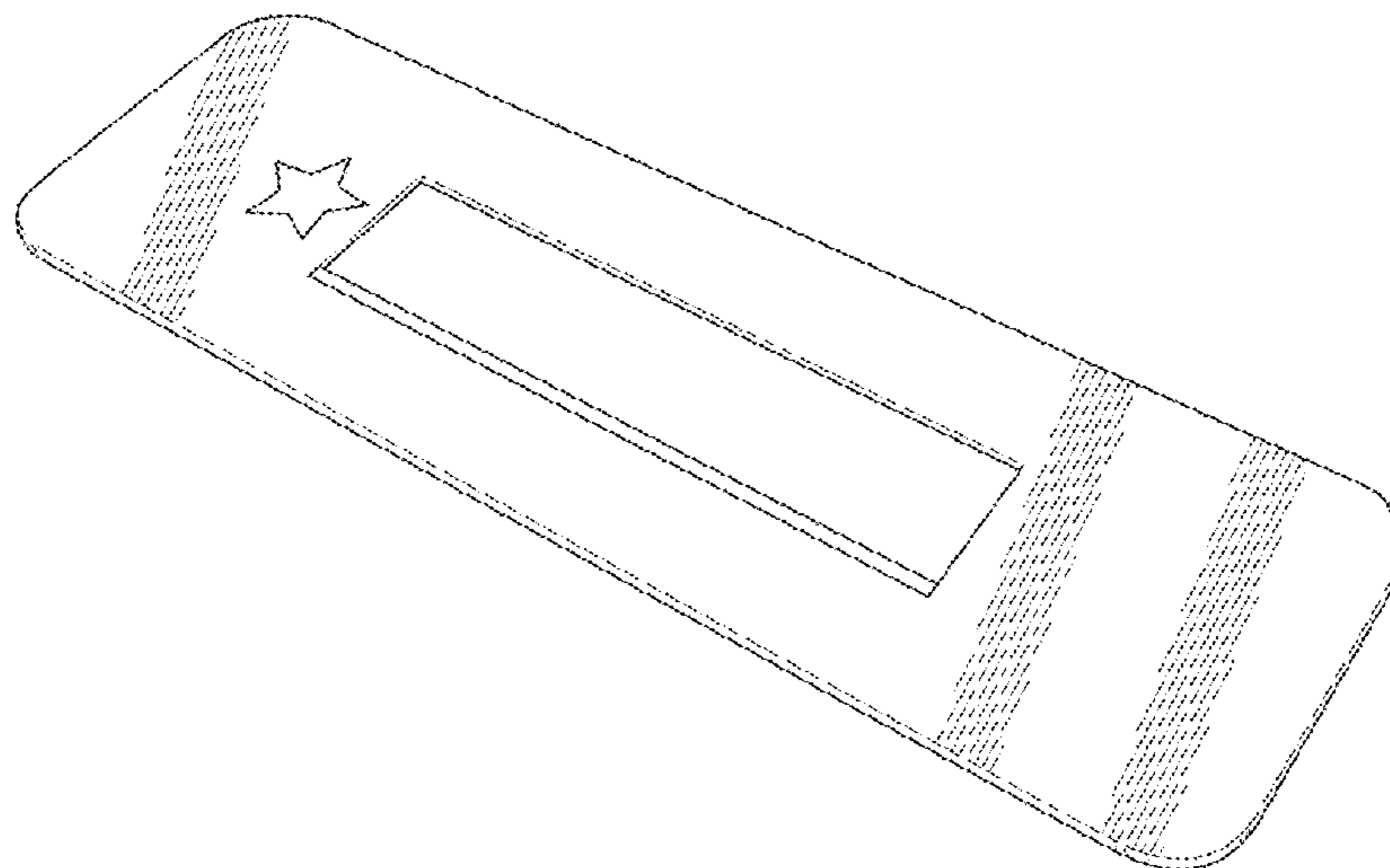
(57) **CLAIM**

The ornamental design for a writing aid, as shown and described.

DESCRIPTION

FIG. 1 is a perspective view of the writing aid showing my new design;
FIG. 2 is a top view thereof;
FIG. 3 is a bottom view thereof; and,
FIG. 4 is a perspective view of the writing aid of FIG. 1 in use.
The dashed lines are included for the purpose of illustrating portions of the writing aid that form no part of the claimed design.

1 Claim, 4 Drawing Sheets



(56)

References Cited

U.S. PATENT DOCUMENTS

4,186,683 A * 2/1980 LeRoy B42D 9/007
 116/235
 D281,173 S * 10/1985 Bloom D19/37
 4,901,665 A * 2/1990 Carlin B42D 9/008
 116/235
 D307,442 S * 4/1990 Cooper D10/61
 D314,865 S * 2/1991 Tuisku D3/247
 5,163,846 A * 11/1992 Lee B43L 1/00
 434/408
 D355,216 S * 2/1995 Grant D19/59
 5,403,104 A * 4/1995 Cappellina B41J 29/18
 400/706
 5,441,278 A * 8/1995 Nalder A63F 1/02
 273/293
 D374,459 S * 10/1996 Vartanian D10/64
 5,632,225 A * 5/1997 Krasner B42D 9/008
 116/235

D410,679 S * 6/1999 Blanchard D19/34
 D469,121 S * 1/2003 Manzo D19/34
 D483,077 S * 12/2003 Navarro-Machado D21/376
 6,832,915 B1 * 12/2004 Kirby G09B 17/02
 116/240
 D518,101 S * 3/2006 Boone-Johnson D19/34
 7,137,206 B2 * 11/2006 Lira-Nñez B43L 7/00
 33/41.2
 7,318,764 B2 * 1/2008 Elias A63F 9/12
 273/153 R
 D772,342 S * 11/2016 Navarro-Machado D21/380
 D805,580 S * 12/2017 Jensen D19/34
 2003/0228559 A1 * 12/2003 Hajjar G09B 11/00
 434/169
 2009/0301384 A1 * 12/2009 Beauregard, Jr. B42D 9/007
 116/234
 2016/0214425 A1 * 7/2016 Ko B43L 13/20
 2018/0018897 A1 * 1/2018 Harris G09B 11/04

* cited by examiner

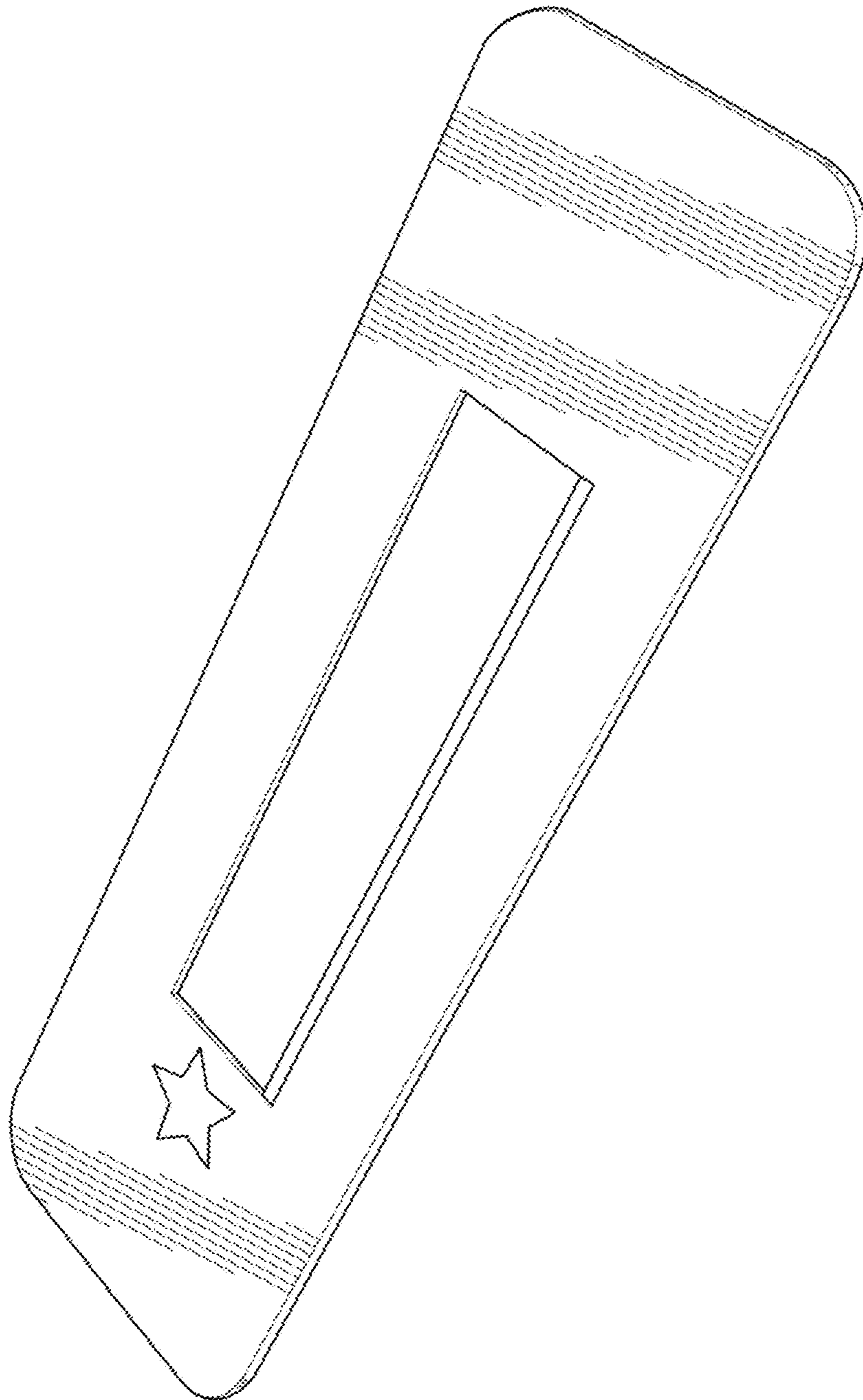


FIG. 1

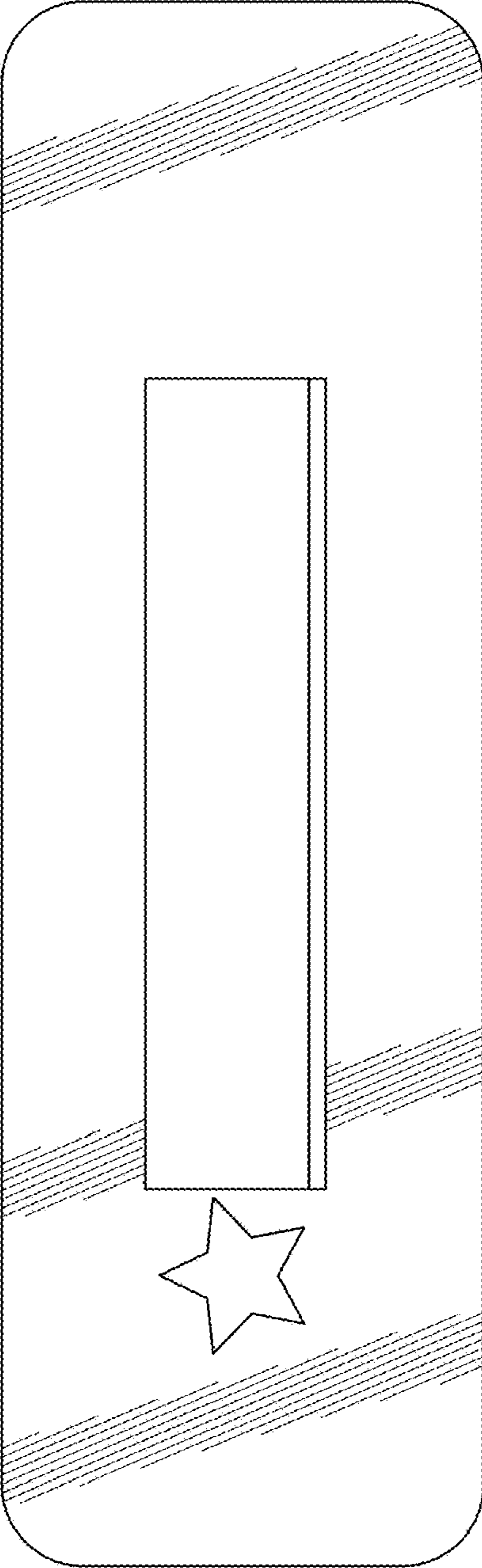


FIG. 2

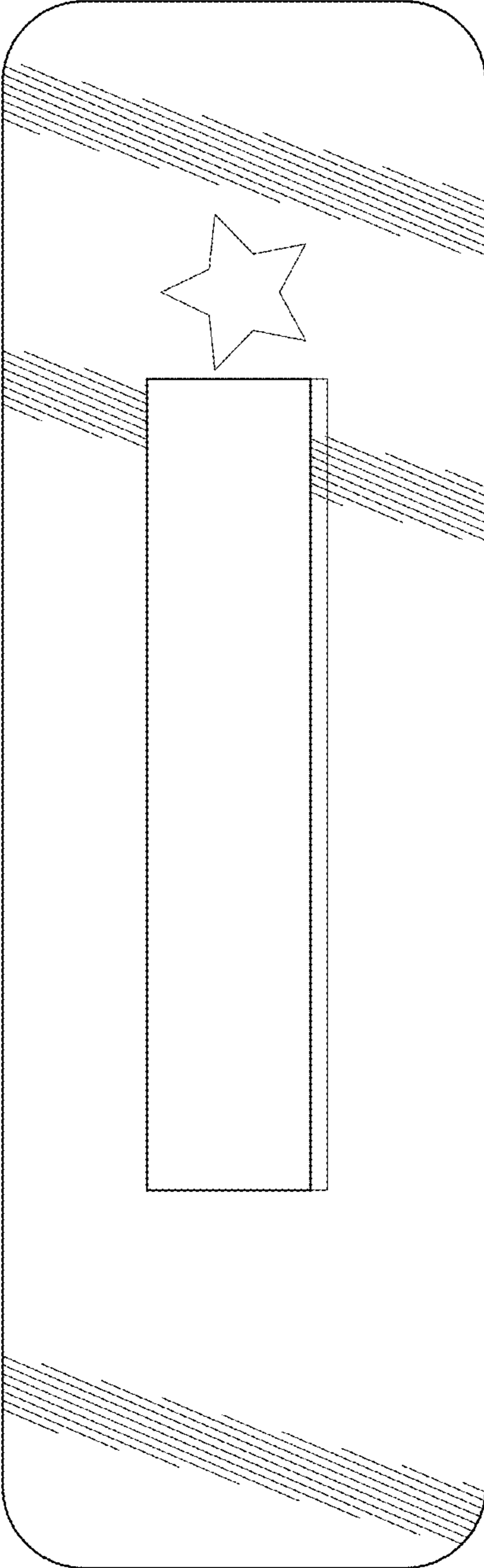


FIG. 3

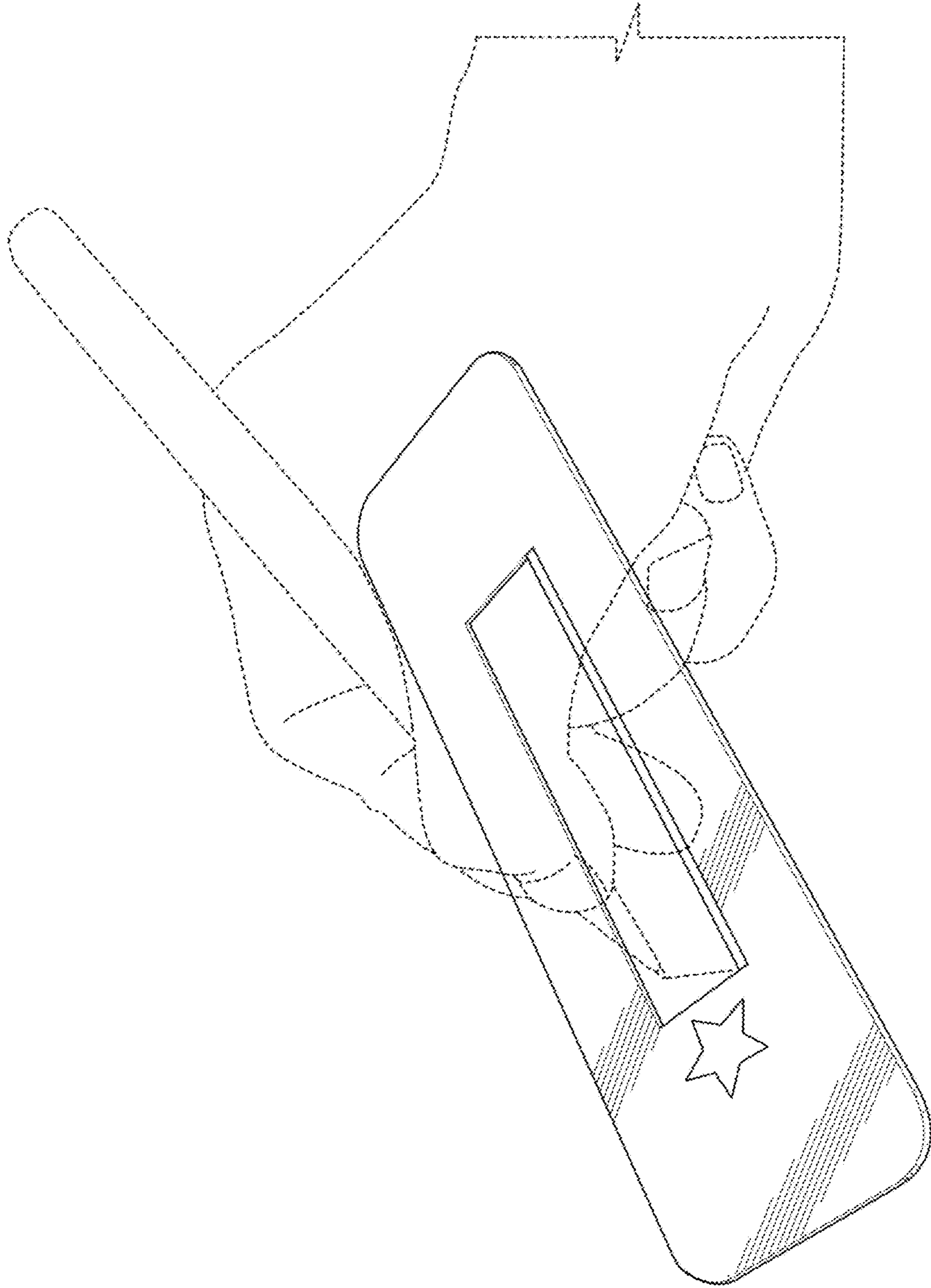


FIG. 4