



US00D839950S

(12) **United States Design Patent**
Chiang

(10) **Patent No.:** **US D839,950 S**

(45) **Date of Patent:** **** Feb. 5, 2019**

(54) **SWIMMING GOGGLE**

(71) Applicant: **Global Esprit Inc.**, New Taipei (TW)

(72) Inventor: **Herman Chiang**, New Taipei (TW)

(**) Term: **15 Years**

(21) Appl. No.: **29/607,763**

(22) Filed: **Jun. 16, 2017**

(51) **LOC (11) Cl.** **16-06**

(52) **U.S. Cl.**
USPC **D16/311**

(58) **Field of Classification Search**
USPC D16/101, 300–342, 900; D29/109–110;
D21/483, 659–661; D14/372; 351/41,
351/44, 45–48, 51–52, 62, 158, 92,
351/103–123, 140–153, 63, 59; 2/13, 15,
2/426–432, 447–449, 441, 434–437
CPC G02C 2200/08; G02C 1/06; G02C 5/14;
G02C 11/02; G02C 11/04; G02C 5/16;
G02C 2200/22; G02C 5/146; G02C
5/2254; G02C 5/008; G01C 5/16; A61M
2021/0044; A63B 33/002
See application file for complete search history.

(56) **References Cited**

U.S. PATENT DOCUMENTS

D555,700 S *	11/2007	Chiang	D16/303
D574,032 S *	7/2008	Chiang	D16/303
D585,472 S *	1/2009	Chiang	D16/303
D589,076 S *	3/2009	Chiang	D16/303
D589,077 S *	3/2009	Chiang	D16/303
D590,002 S *	4/2009	Chiang	D16/303
D601,610 S *	10/2009	Chiang	D16/303
D613,786 S *	4/2010	Chiang	D16/303
D633,549 S *	3/2011	Chiang	D16/303
D646,709 S *	10/2011	Mitchell	D16/306
8,042,937 B2 *	10/2011	Iimura	G02C 5/16 351/111
D648,371 S *	11/2011	Chiang	D16/303

D648,771 S *	11/2011	Rohrbach	D16/325
D649,579 S *	11/2011	Thixton	D16/321
D653,699 S *	2/2012	Shin	D16/320
8,117,680 B1 *	2/2012	Chou	A63B 33/002 2/450
D676,898 S *	2/2013	Shin	D16/335
D689,115 S *	9/2013	Kim	D16/309
D696,337 S *	12/2013	Chiang	D16/303
D711,958 S *	8/2014	Yoo	D16/300
D714,858 S *	10/2014	Thixton	D16/326
D717,858 S *	11/2014	Chiang	D16/303
D717,861 S *	11/2014	Chiang	D16/303
D717,862 S *	11/2014	Chiang	D16/303

(Continued)

OTHER PUBLICATIONS

Barracuda Dr.B Aquarevol Swim Goggle, announced: unknown, [online]. [site visited Jul. 14, 2018]. Available from Internet, <URL: <https://barracuda101.com/products/barracuda-dr-b-optical-swim-goggle-aquarevol-honeycomb-structured-gaskets-for-adults-94690>> (Year: 2018).*

Primary Examiner — Michelle E. Wilson

Assistant Examiner — Sanjeev Paul

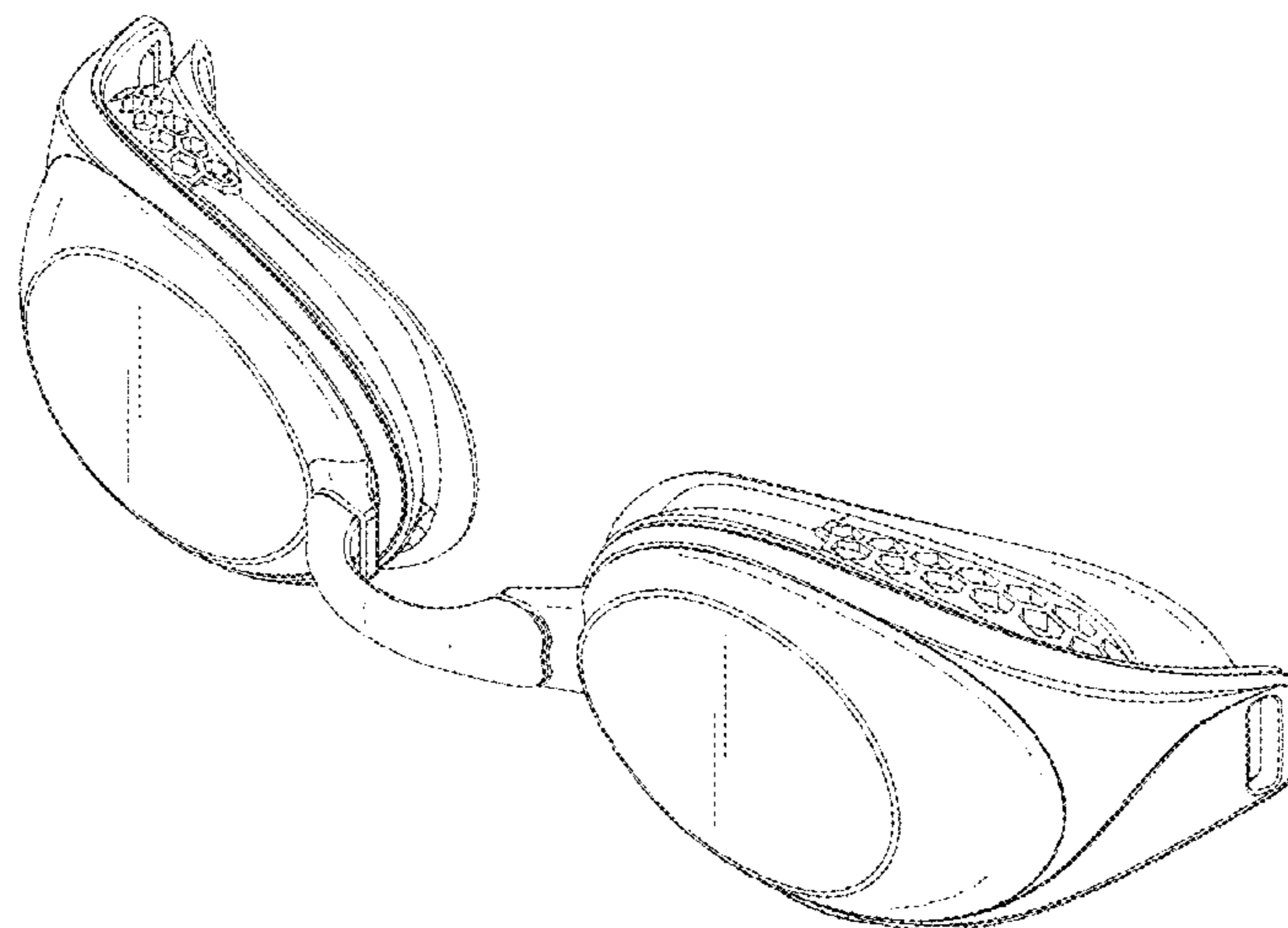
(57) **CLAIM**

The ornamental design for a swimming goggle, as shown and described.

DESCRIPTION

FIG. 1 is a perspective view of a swimming goggle showing my new design; FIG. 2 is a front elevational view thereof; FIG. 3 is a rear elevational view thereof; FIG. 4 is a left elevational view thereof; FIG. 5 is a right elevational view thereof; FIG. 6 is a top plan view thereof; and, FIG. 7 is a bottom plan view thereof. The broken lines in the FIG. 3 illustrate portions of the swimming goggle that form no part of the claimed design.

1 Claim, 7 Drawing Sheets



(56)

References Cited

U.S. PATENT DOCUMENTS

D717,863	S *	11/2014	Chiang	D16/303	2004/0187196	A1 *	9/2004	Haslbeck	A63B 33/002
D720,799	S *	1/2015	Thixton	D16/326						2/426
D723,611	S *	3/2015	Chiang	D16/303	2004/0187197	A1 *	9/2004	Chiang	A63B 33/002
D723,612	S *	3/2015	Chiang	D16/303						2/445
D727,396	S *	4/2015	Markovitz	D16/300	2004/0210991	A1 *	10/2004	Chiang	A63B 33/002
D728,008	S *	4/2015	Thixton	D16/335						2/445
D735,797	S *	8/2015	Aquino	D16/309	2008/0263753	A1 *	10/2008	Chiang	A63B 33/002
D745,081	S *	12/2015	Ooba	D16/303						2/431
D745,082	S *	12/2015	Ooba	D16/311	2009/0064399	A1 *	3/2009	Chou	A63B 33/002
D746,367	S *	12/2015	Shin	D16/326						2/442
D754,244	S *	4/2016	Shin	D16/335	2009/0300828	A1 *	12/2009	Chiang	A63B 33/002
D763,944	S *	8/2016	Shin	D16/326						2/428
D763,946	S *	8/2016	Chae	D16/326	2010/0024098	A1 *	2/2010	Chiang	A63B 33/002
D763,949	S *	8/2016	Shin	D16/335						2/428
D769,963	S *	10/2016	Shin	D16/335	2011/0004981	A1 *	1/2011	Chiang	A63B 33/002
D771,739	S *	11/2016	Shin	D16/326						2/446
D776,750	S *	1/2017	Kavoosi	D16/323	2011/0088150	A1 *	4/2011	Tominaga	A63B 33/002
D783,707	S *	4/2017	Uhm	D16/335						2/440
D786,336	S *	5/2017	Dandachli	D16/335	2011/0302702	A1 *	12/2011	Chiang	A63B 33/002
9,684,187	B2 *	6/2017	Rasier	G02C 3/006						2/442
D799,586	S *	10/2017	Thixton	D16/335	2014/0331395	A1 *	11/2014	Chiang	A63B 33/002
D801,425	S *	10/2017	Uhm	D16/335						2/442
D809,056	S *	1/2018	Flake	D16/330	2015/0055079	A1 *	2/2015	Holzer	G02C 5/001
9,864,210	B2 *	1/2018	Wang Lee	G02C 5/143						351/86
D810,815	S *	2/2018	Yoo	D16/335	2015/0346518	A1 *	12/2015	Levy	G02C 11/02
D812,129	S *	3/2018	Pinkney	D16/334						351/52
D818,519	S *	5/2018	Thixton	D16/321	2016/0016047	A1 *	1/2016	Chiang	A63B 33/002
9,964,779	B2 *	5/2018	Poole	G02C 7/10						2/440
9,983,417	B1 *	5/2018	Huang	G02C 5/2209	2016/0030811	A1 *	2/2016	Chiang	A63B 33/002
D820,347	S *	6/2018	Chae	D16/335						2/442
2002/0170108	A1 *	11/2002	Chiang	A63B 33/002	2016/0266401	A1 *	9/2016	Wong	G02C 1/08
											2/442
2002/0194669	A1 *	12/2002	Takeshi	A63B 33/002	2017/0176770	A1 *	6/2017	Wang Lee	G02C 5/16
											2/452
						2017/0205640	A1 *	7/2017	Lucero	G02C 11/10
						2017/0252609	A1 *	9/2017	Chiang	A63B 33/002
						2018/0081200	A1 *	3/2018	Giordanetti	G02C 1/06

* cited by examiner

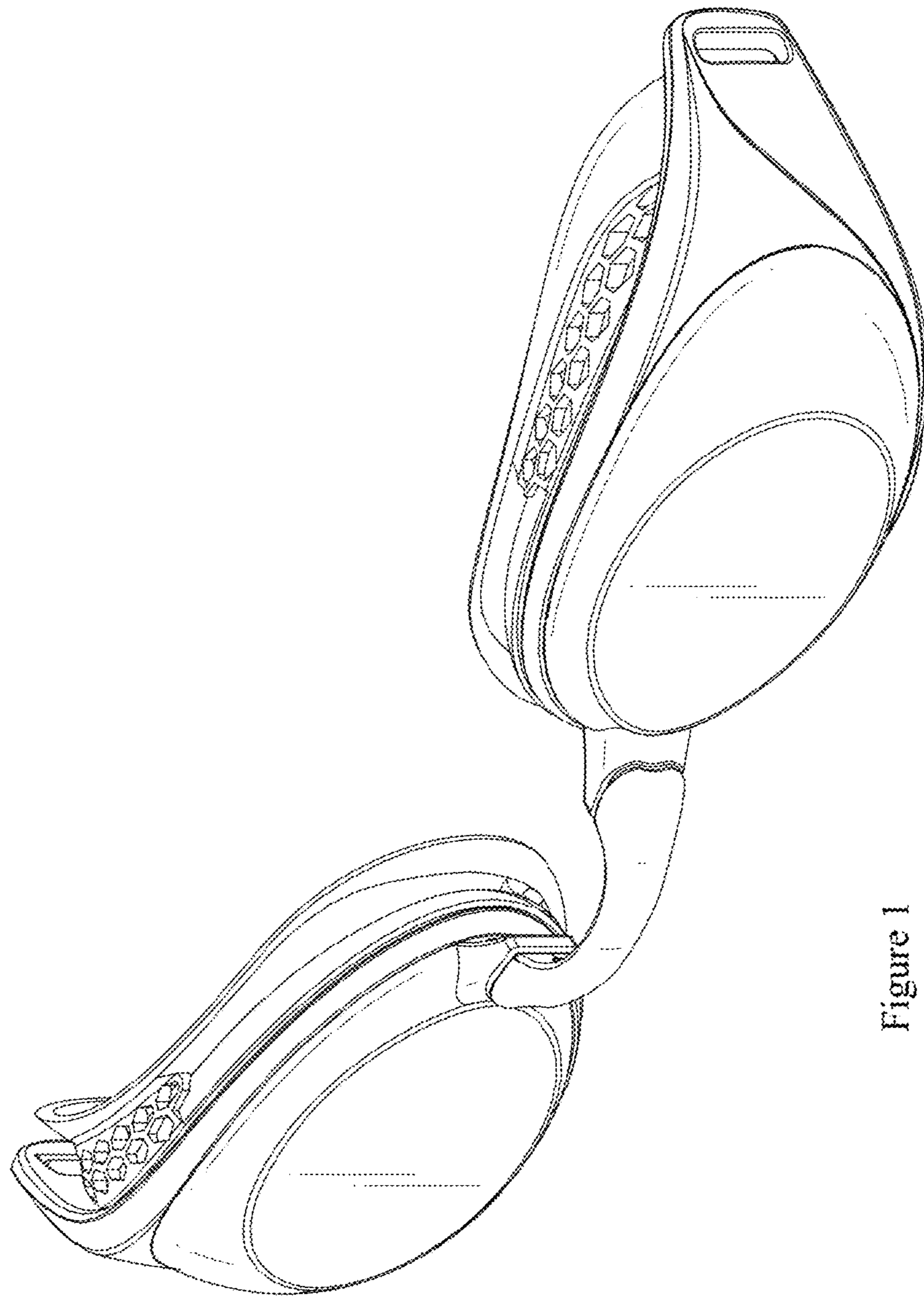


Figure 1

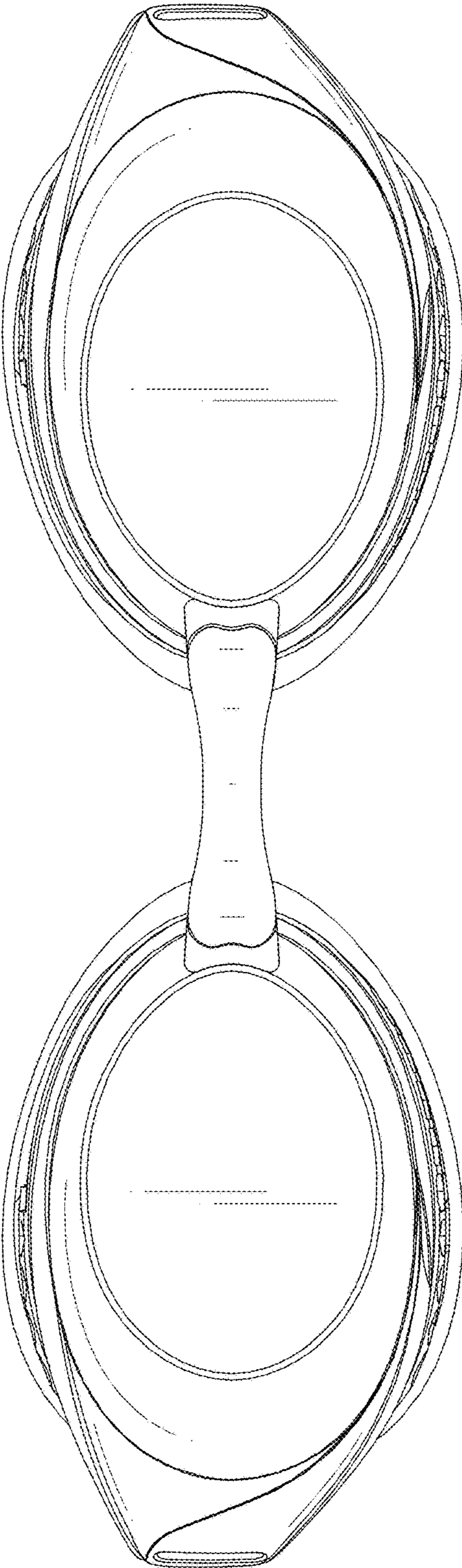


Figure 2

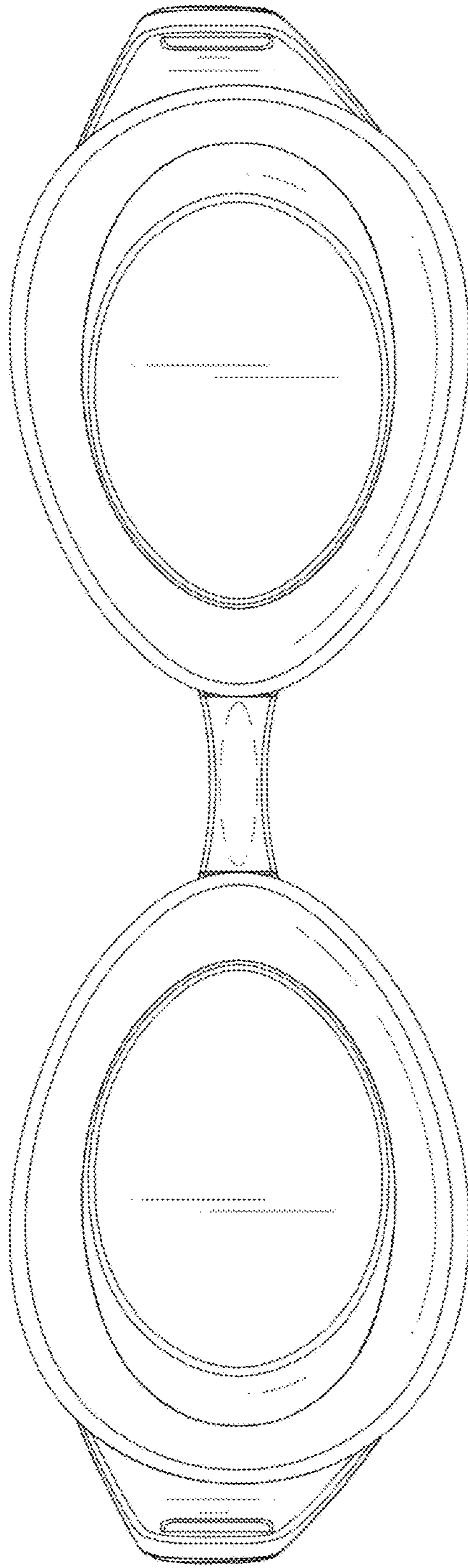


Figure 3

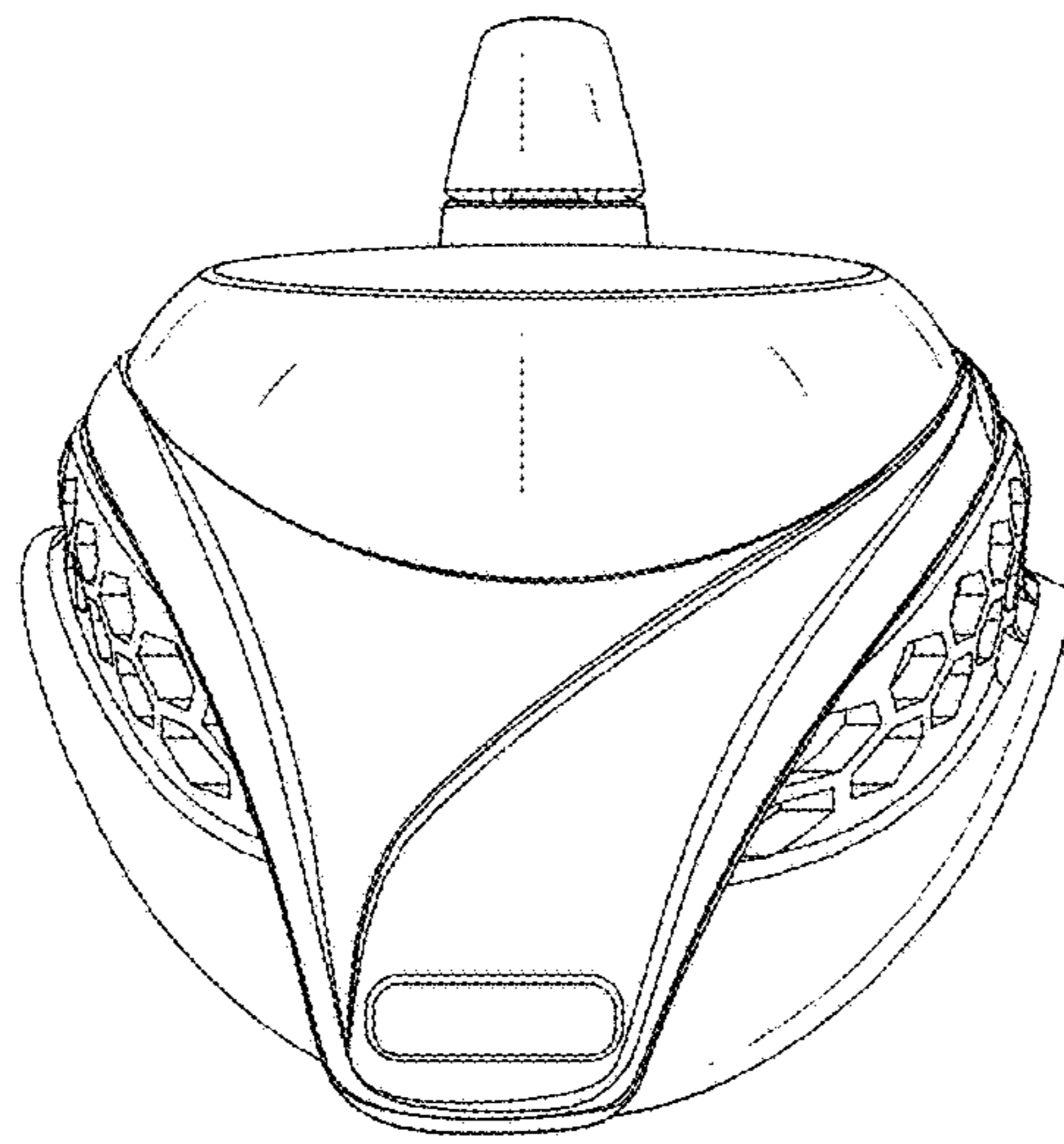


Figure 4

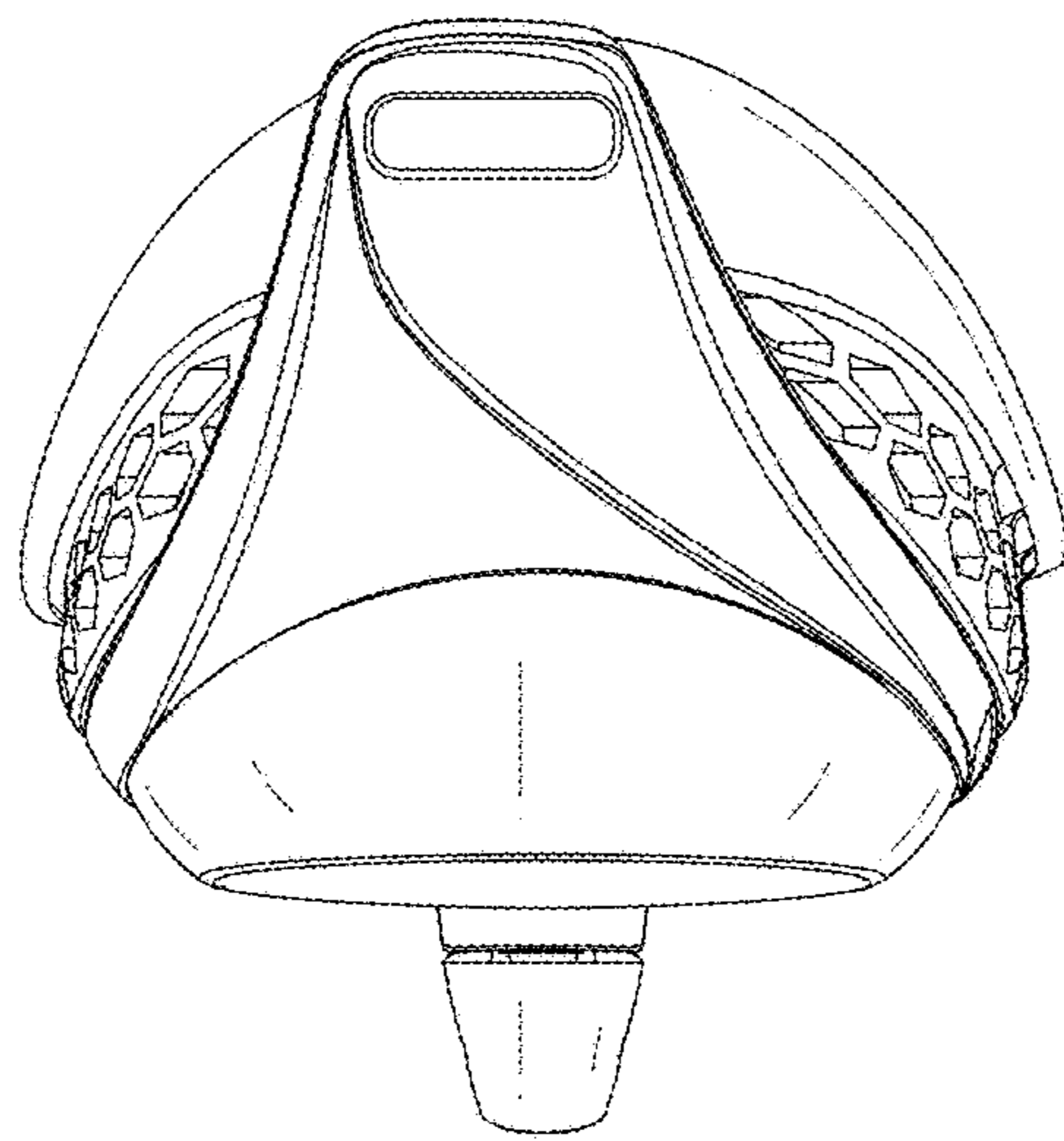


Figure 5

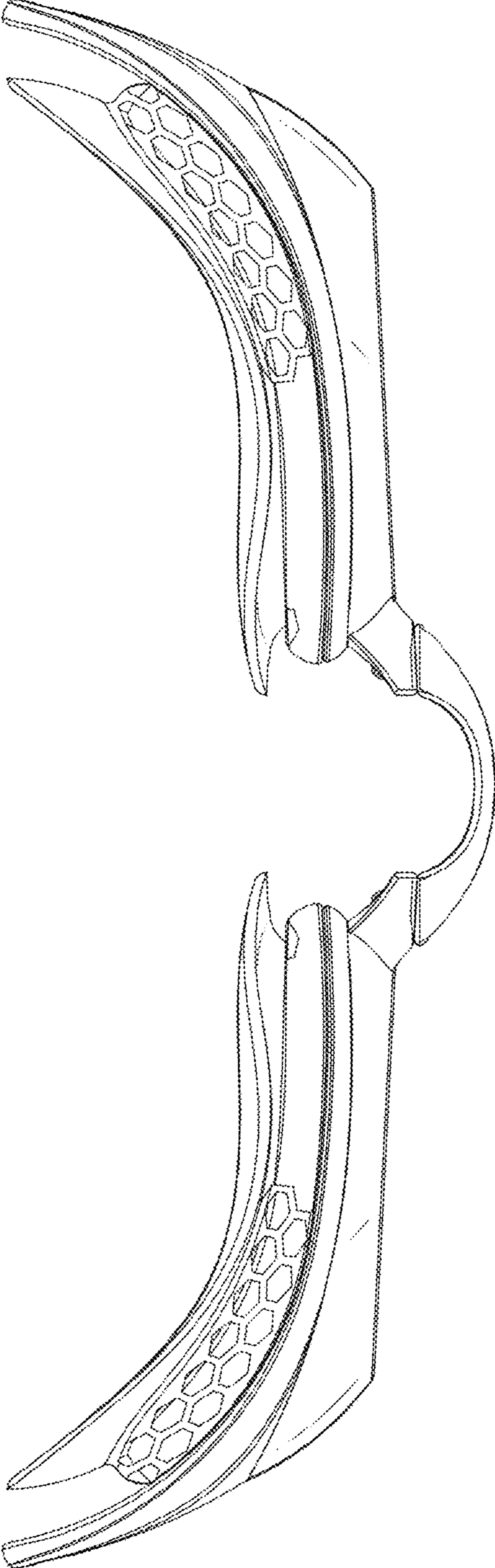


Figure 6

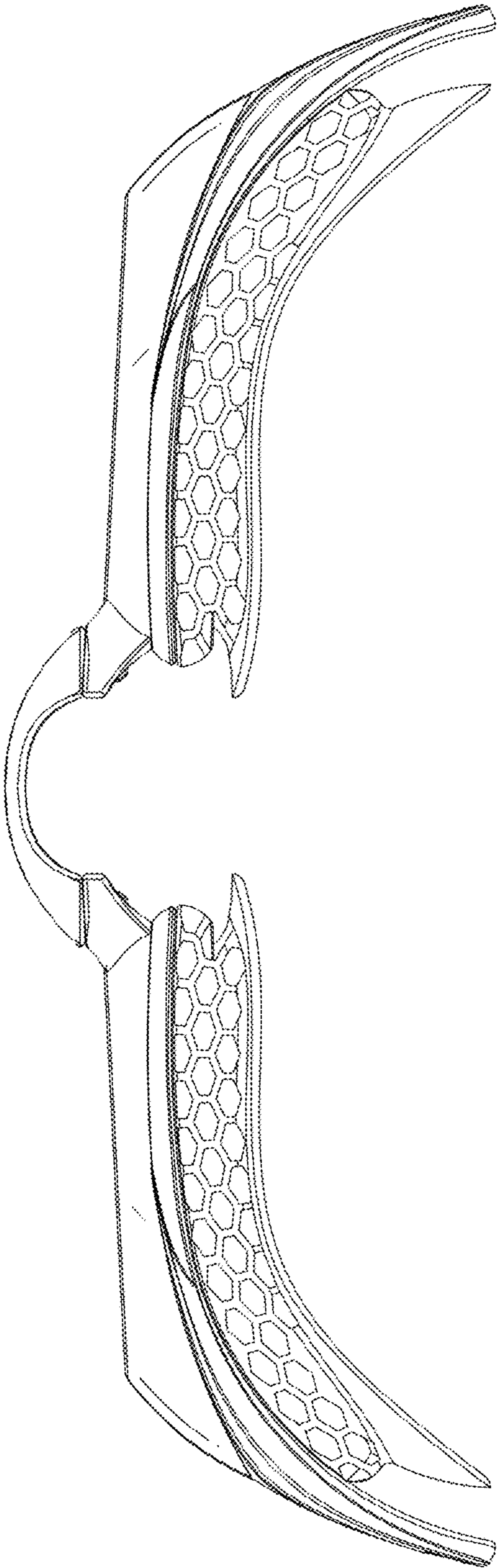


Figure 7