



US00D839949S

(12) **United States Design Patent** (10) **Patent No.:** **US D839,949 S**
Arens et al. (45) **Date of Patent:** **** Feb. 5, 2019**

(54) **IMAGE CAPTURE DEVICE HOLDER**
(71) Applicant: **Google LLC**, Mountain View, CA (US)
(72) Inventors: **Michael Robert Arens**, San Francisco, CA (US); **John Lapetina**, Los Altos Hills, CA (US); **Tressa Christie Scott**, Roxbury Crossing, MA (US); **Matthew Donald Wilson**, Shoreline, WA (US); **Eva Ariella Siobhan Snee**, Seattle, WA (US); **Juston Payne**, San Mateo, CA (US); **Aaron Michael Donsbach**, Seattle, WA (US); **Kenneth Sweet**, San Francisco, CA (US); **Maj Isabelle Olsson**, San Francisco, CA (US); **Natalie Naruns**, Los Altos, CA (US); **Dong Rim Lee**, San Jose, CA (US)

(73) Assignee: **Google LLC**, Mountain View, CA (US)
(**) Term: **15 Years**

(21) Appl. No.: **29/618,869**
(22) Filed: **Sep. 25, 2017**
(51) **LOC (11) Cl.** **16-05**
(52) **U.S. Cl.**
USPC **D16/242**
(58) **Field of Classification Search**
USPC D16/219, 237-250; D14/224, 229, 238, D14/251, 253, 447, 451, 457; D8/354, D8/355, 363, 373, 382, 383, 394, 395, D8/396
CPC A45F 5/00; F16M 11/06-11/10; G02B 7/00-7/002; G03B 17/56; G03B 17/561; G03B 17/563; G03B 17/565; G03B 17/566; G03B 17/568; H04N 5/2253-5/2254
See application file for complete search history.

(56) **References Cited**
U.S. PATENT DOCUMENTS

D239,082 S * 3/1976 Manning D8/383
D251,426 S * 3/1979 Molyneux D14/229

D349,041 S * 7/1994 Wical D11/164
D356,244 S * 3/1995 Merritt D8/394
D559,850 S * 1/2008 Lye D14/447
D574,375 S * 8/2008 Prest D14/217
D628,615 S * 12/2010 Siegel D16/237
D643,457 S * 8/2011 DeLong 16/219
D663,726 S * 7/2012 Gourley D14/251
D669,890 S * 10/2012 Hopkins D14/251

(Continued)

OTHER PUBLICATIONS

Google Clip a camera with its own artificial intelligence system Future technology.[online] Published Oct. 19, 2017. Retrieved May 14, 2018 from URL: <http://itechfuture.com/google-clip-a-camera-with-its-own-artificial-intelligence-system/>.*

(Continued)

Primary Examiner — Vy N Koenig
(74) *Attorney, Agent, or Firm* — Lerner, David, Littenberg, Krumholz & Mentlik, LLP

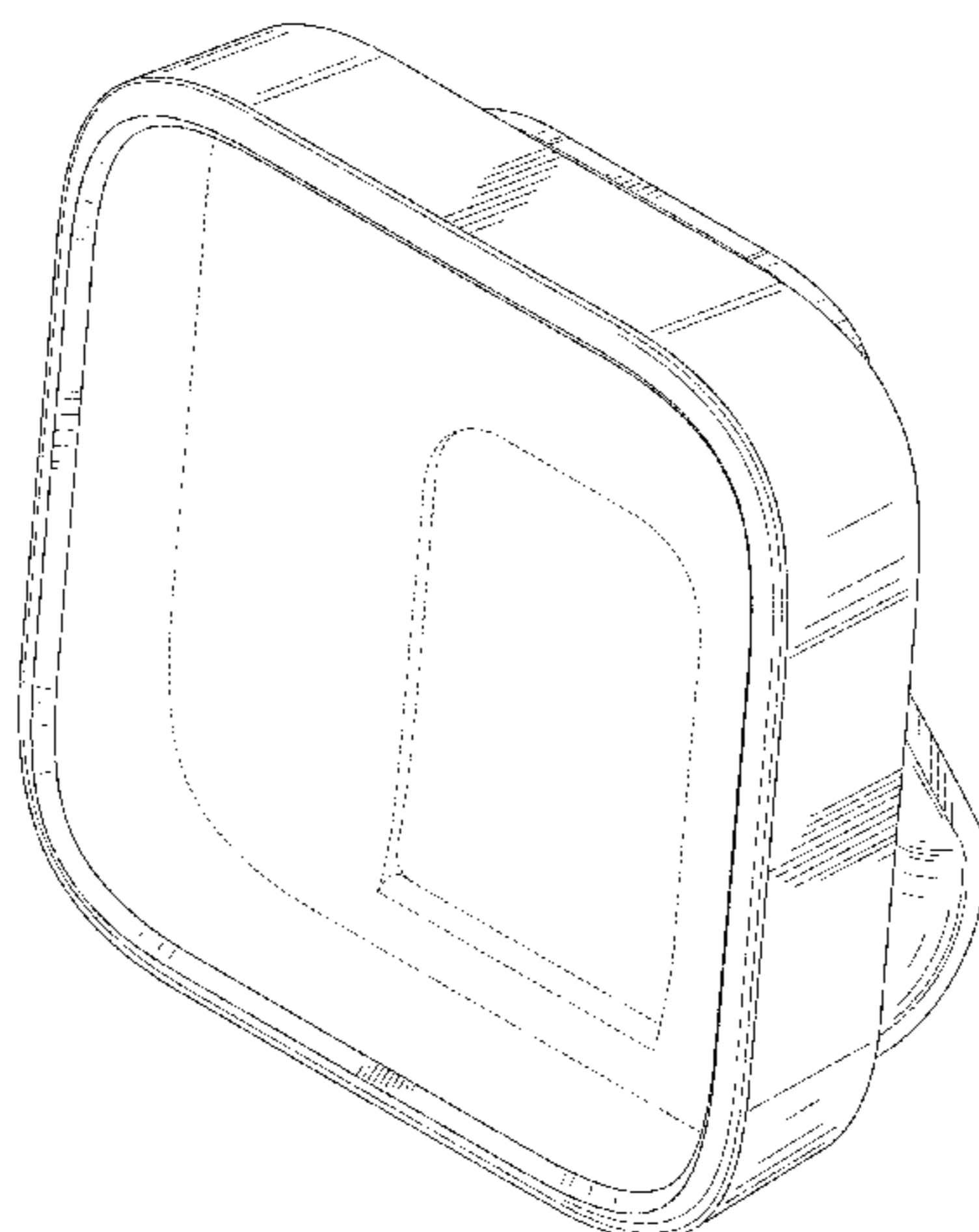
(57) **CLAIM**

The ornamental design for a image capture device holder, as shown and described.

DESCRIPTION

FIG. 1 is a front perspective view of an image capture device holder according to the new design; FIG. 2 is a rear perspective view of the holder of FIG. 1; FIG. 3 is a front view of the holder of FIG. 1; FIG. 4 is a rear view of the holder of FIG. 1; FIG. 5 is a side view of the holder of FIG. 1; FIG. 6 is an opposite side view of the holder of FIG. 1; FIG. 7 is a top plan view of the holder of FIG. 1; and, FIG. 8 is a bottom plan view of the holder of FIG. 1. The broken lines of the claimed design and the spaces therein are included for illustrating environmental aspects only and form no part of the claimed design.

1 Claim, 7 Drawing Sheets



(56)

References Cited

U.S. PATENT DOCUMENTS

D676,737	S	*	2/2013	Zimmerer	D8/394
D710,836	S	*	8/2014	Wengreen	D14/238
D733,788	S	*	7/2015	Baker	D16/237
D735,260	S	*	7/2015	Bould	D16/237
D755,786	S	*	5/2016	Lapetina	D14/344
D756,367	S	*	5/2016	Kim	D14/447
D765,623	S	*	9/2016	Yang	D14/224
D767,575	S	*	9/2016	Green	D14/447
D771,616	S	*	11/2016	Bo	D14/253
D780,187	S	*	2/2017	Lee	D14/253
D788,780	S	*	6/2017	Chen	D14/447
D798,305	S	*	9/2017	Wengreen	D14/447
D811,413	S	*	2/2018	Jeong	D14/447
D811,414	S	*	2/2018	Lee	D14/447
2013/0148955	A1	*	6/2013	Overall	G03B 11/00 396/544

OTHER PUBLICATIONS

Narrative Clip 2. [online] Published May 20, 2015. Retrieved May 14, 2018 from URL: <http://blog.getnarrative.com/2015/05/did-you-win-a-narrative-clip-2-if-not-theres-another-way-to-win/>.*

* cited by examiner

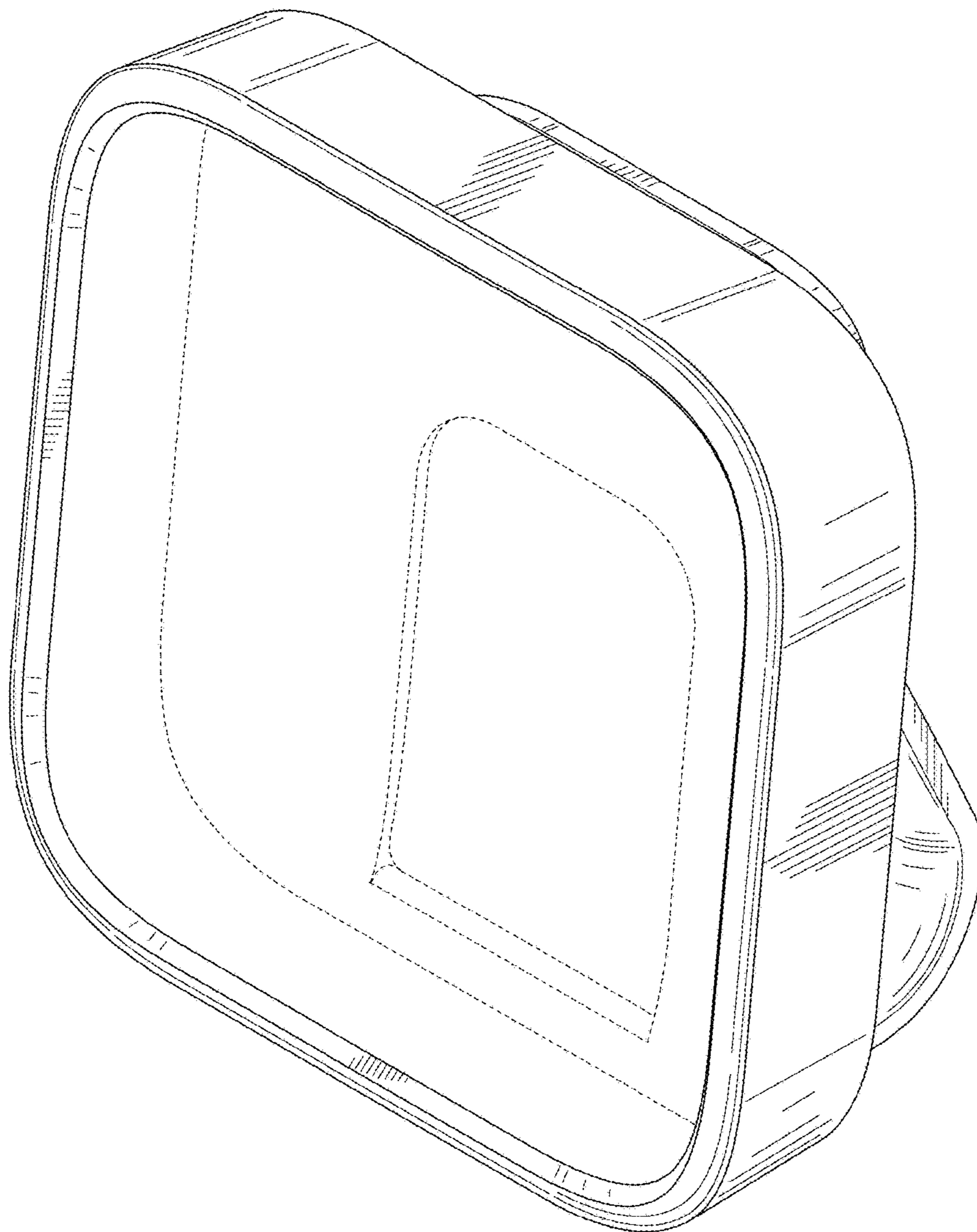


FIG. 1

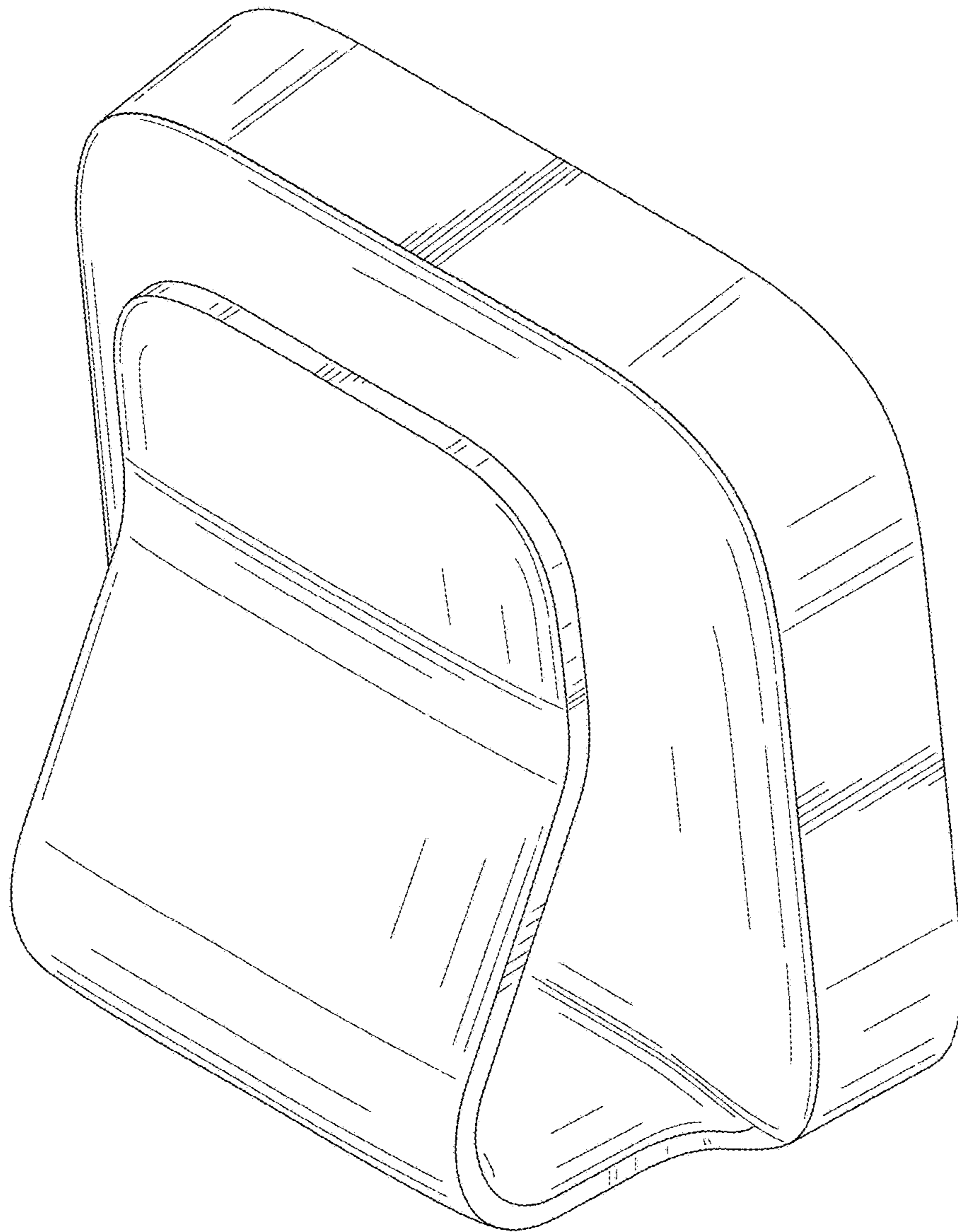


FIG. 2

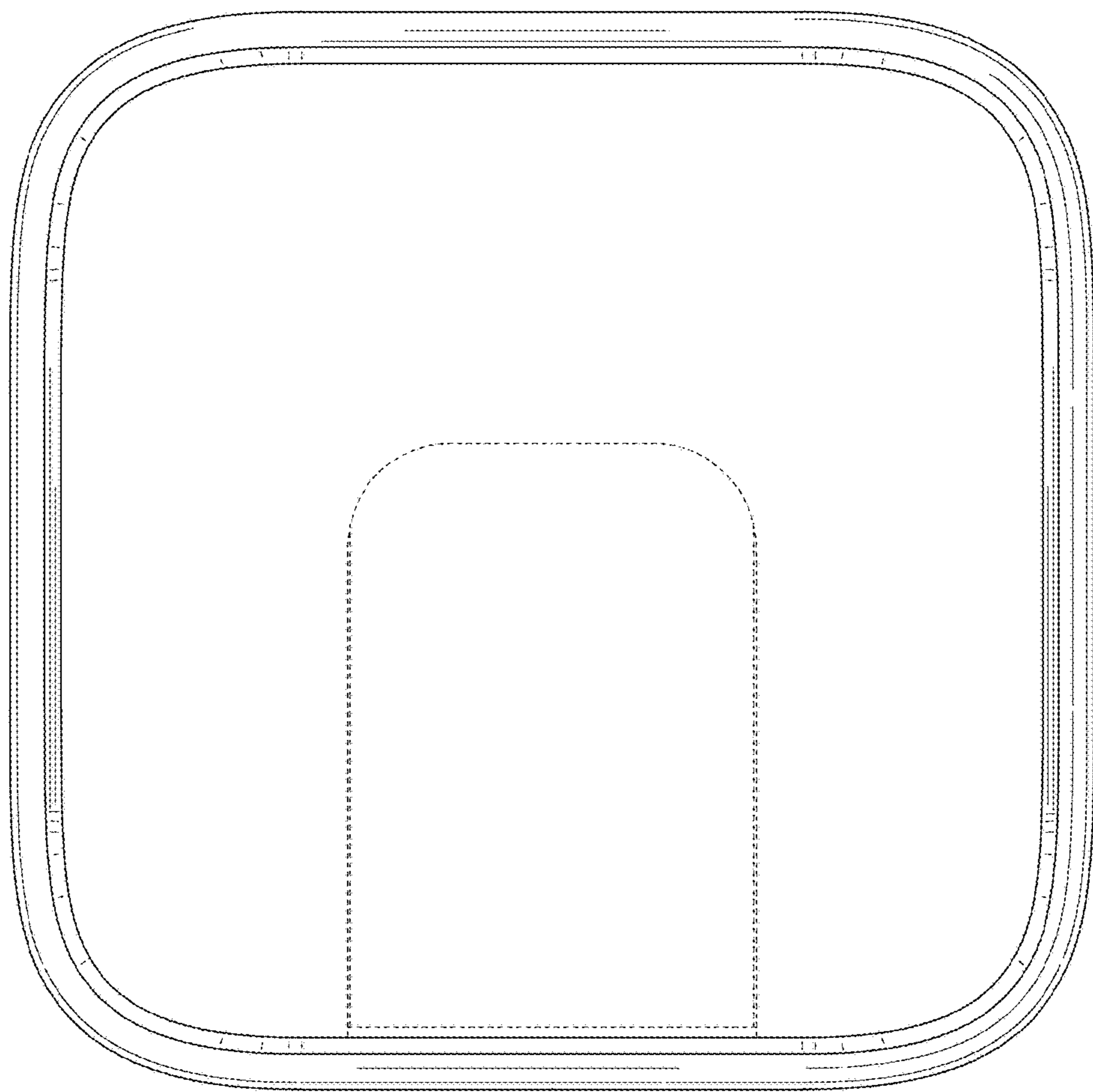


FIG. 3

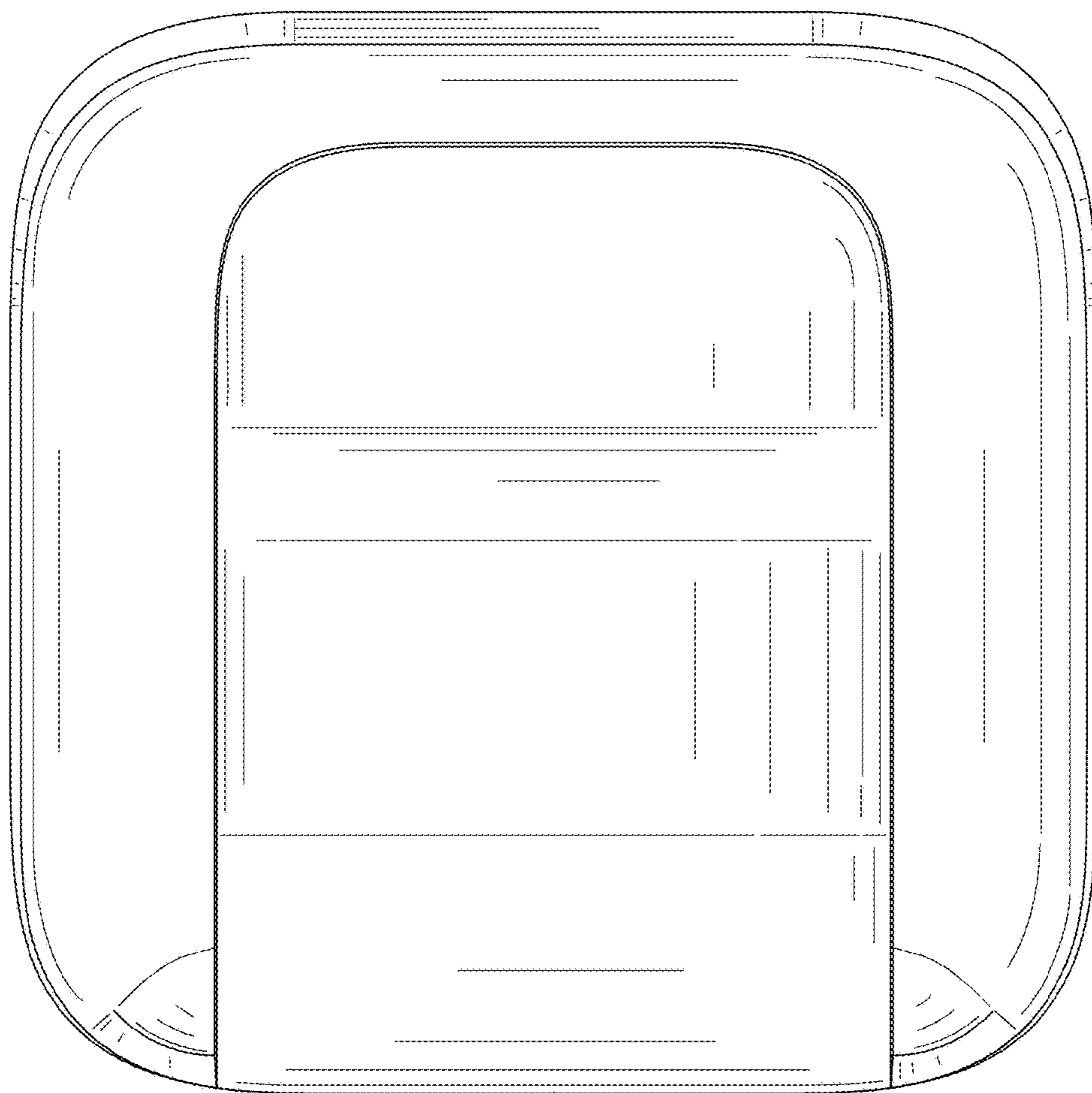


FIG. 4

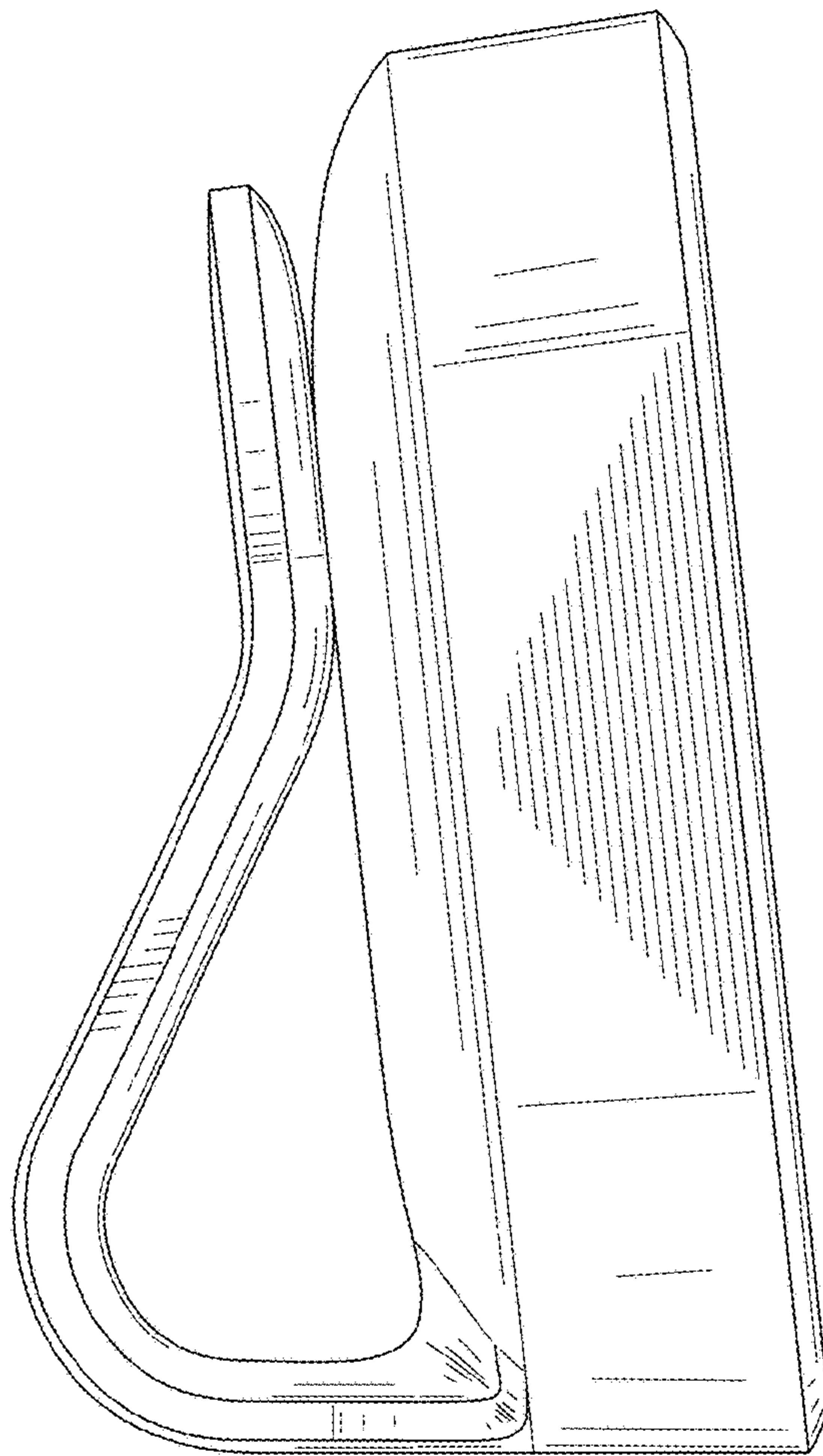


FIG. 5

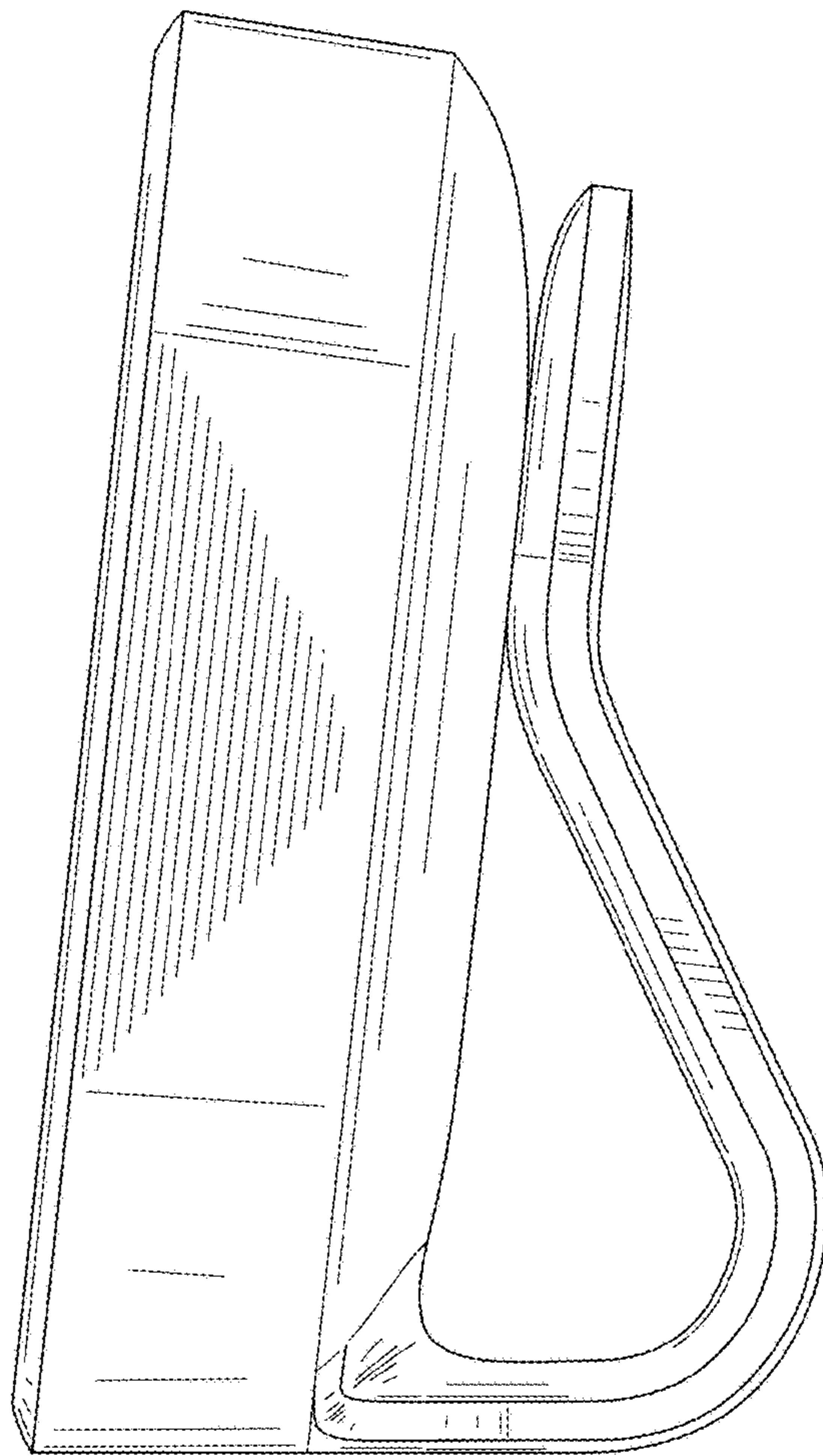


FIG. 6

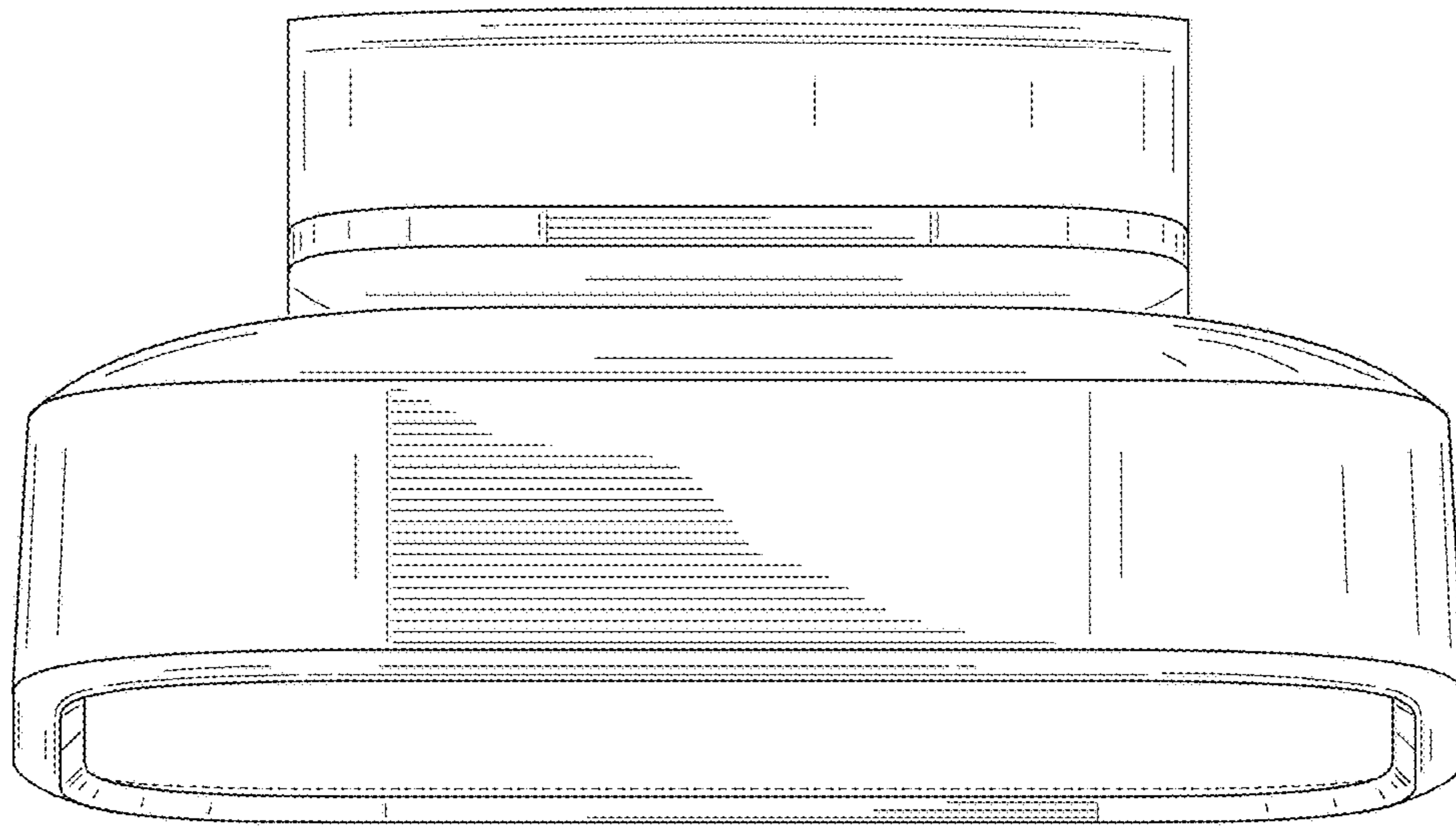


FIG. 7

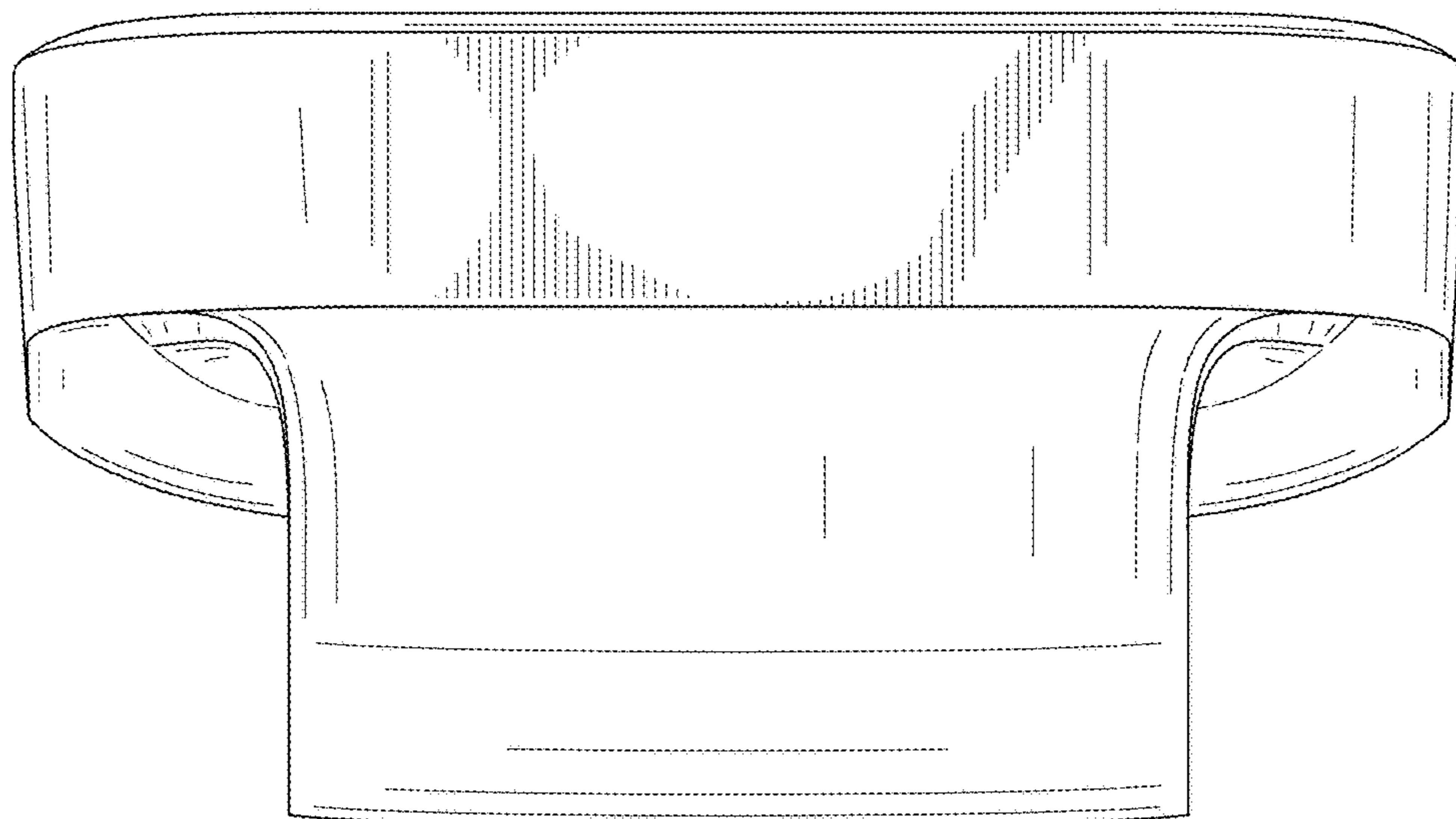


FIG. 8