



US00D839948S

(12) **United States Design Patent**
Chueh et al.

(10) **Patent No.:** **US D839,948 S**

(45) **Date of Patent:** **** Feb. 5, 2019**

(54) **CAMERA SUPPORT**

(71) Applicant: **AVer Information Inc.**, New Taipei (TW)

(72) Inventors: **Yin-Nan Chueh**, New Taipei (TW);
Wei-Ting Peng, New Taipei (TW);
Yu-Hsin Chang, New Taipei (TW);
Chang-Chih Wu, New Taipei (TW);
Wei-Yu Chen, New Taipei (TW);
Wei-Long Hsu, New Taipei (TW)

(73) Assignee: **AVER INFORMATION INC.**, New Taipei (TW)

(**) Term: **15 Years**

(21) Appl. No.: **29/598,452**

(22) Filed: **Mar. 27, 2017**

(51) **LOC (11) Cl.** **16-05**

(52) **U.S. Cl.**
USPC **D16/242**

(58) **Field of Classification Search**
USPC D16/200–220, 131, 237, 242, 239, 250,
D16/235, 130, 134, 136, 245; D26/118,
D26/138–140; D30/110, 119, 124;
D14/242, 203.1, 203.3, 203.7; D10/74,
D10/50, 64, 66
CPC H04M 2250/52; H04N 5/2251; H04N
5/2252; H04N 5/2253; H01H 2231/046;
G02B 13/00; G02B 13/19621; G03B
11/048; G03B 11/04; G03B 11/041;
G03B 11/043; G03B 11/045
See application file for complete search history.

(56) **References Cited**

U.S. PATENT DOCUMENTS

D119,695 S * 3/1940 Clark D19/61
2,892,268 A * 6/1959 Hagner G09B 27/02
434/285
D270,548 S * 9/1983 Rimer D19/61

5,383,099 A * 1/1995 Peters G03B 15/06
362/18
5,660,463 A * 8/1997 Ho F21V 21/30
362/269
D487,904 S * 3/2004 Brown D16/242
D495,355 S * 8/2004 Mudd D14/423
D525,241 S * 7/2006 Dyer D14/240
D535,109 S * 1/2007 Palmer D6/312

(Continued)

FOREIGN PATENT DOCUMENTS

TW D151337 1/2013

OTHER PUBLICATIONS

Striking Wall Mount Bath Sink Picture Design, published Jun. 17, 2018, [retrieved Sep. 14, 2018], Available from Internet, URL: <<http://www.chamisa.co/wall-mount-bath-sink/striking-wall-mount-bath-sink-picture-design/>>.*

(Continued)

Primary Examiner — Barbara Fox

Assistant Examiner — Mary C Ramirez

(74) *Attorney, Agent, or Firm* — CKC & Partners Co., Ltd.

(57) **CLAIM**

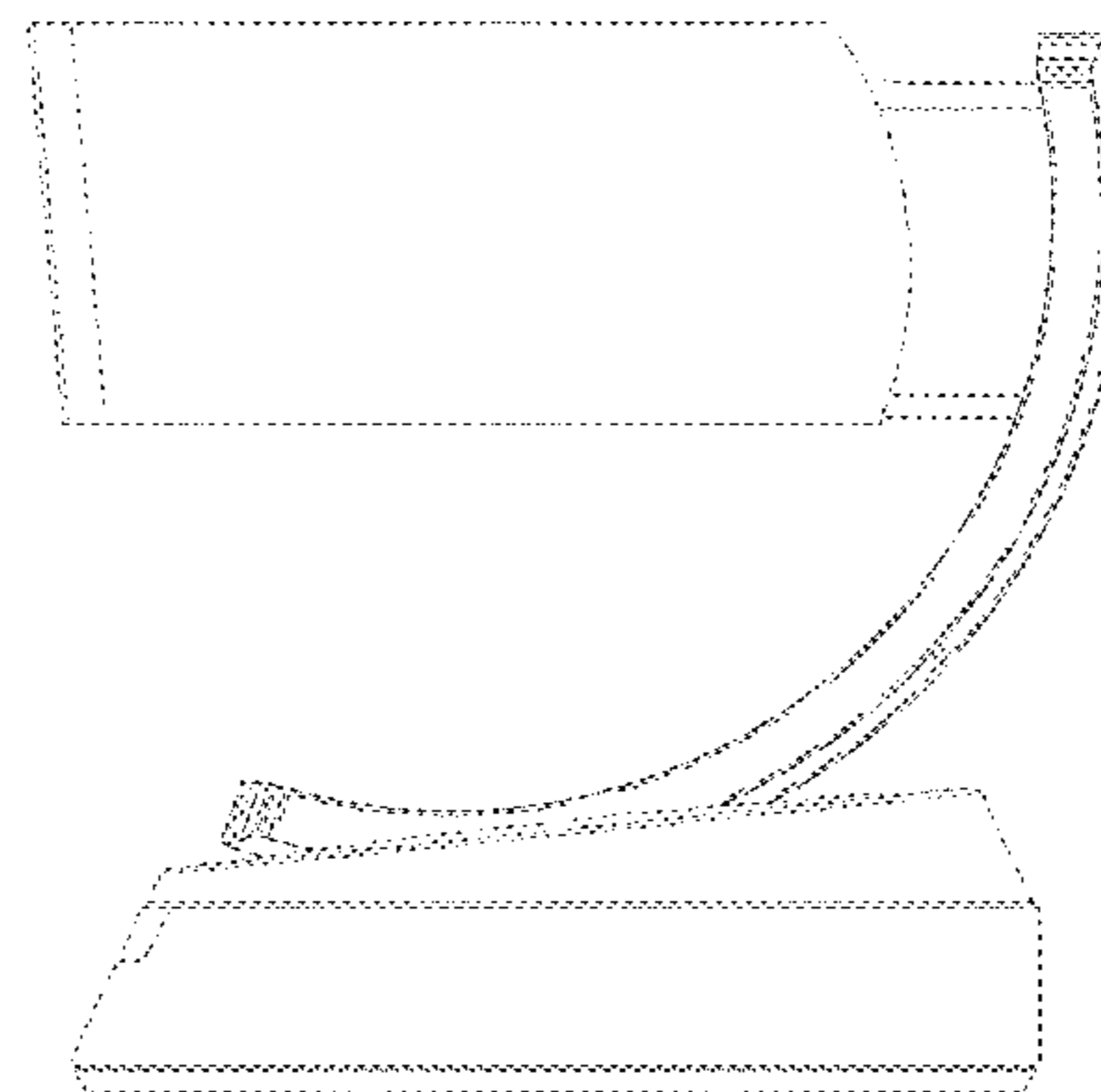
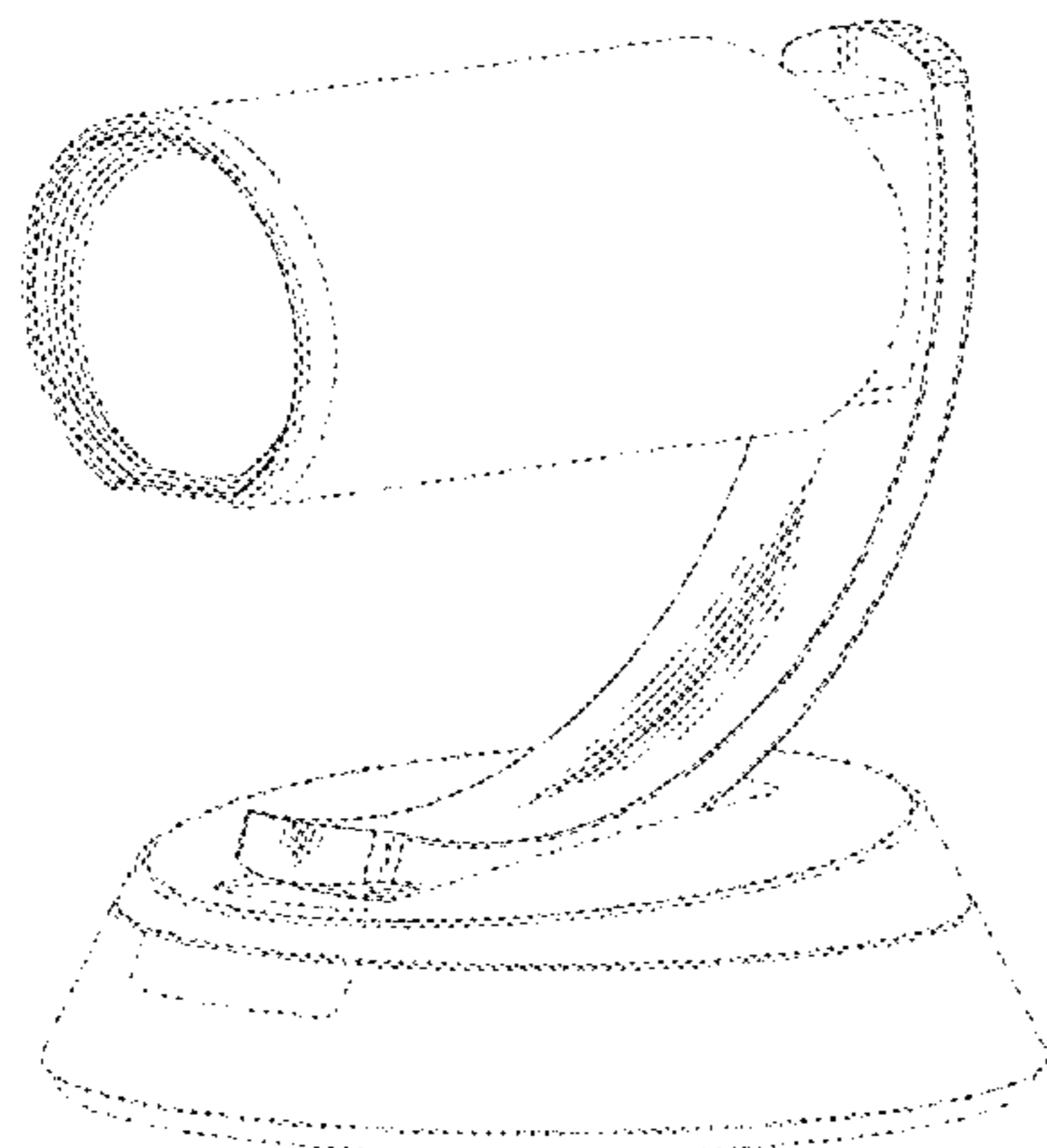
The ornamental design for a camera support, as shown and described.

DESCRIPTION

FIG. 1 is a perspective view of a camera support showing our new design;
FIG. 2 is a front elevational view thereof;
FIG. 3 is a rear elevational view thereof;
FIG. 4 is a left side elevational view thereof;
FIG. 5 is a right side elevational view thereof;
FIG. 6 is a top plan view thereof; and,
FIG. 7 is a bottom plan view thereof.

The broken lines shown in the drawings depict portions of the camera support that form no part of the claimed design.

1 Claim, 7 Drawing Sheets



(56)

References Cited

U.S. PATENT DOCUMENTS

D545,081 S * 6/2007 Lara D6/677
7,406,257 B2 * 7/2008 Yi H04N 9/3176
348/E5.026
D574,878 S * 8/2008 DeSorbo D16/242
D587,057 S * 2/2009 Mandel D7/301
D587,251 S * 2/2009 Morello D14/239
D587,254 S * 2/2009 Morello D14/239
D587,255 S * 2/2009 Morello D14/239
D587,257 S * 2/2009 Morello D14/239
D637,043 S * 5/2011 Baquero D7/601
D680,295 S * 4/2013 Pennington D99/28
D703,720 S * 4/2014 Umehara D16/237
D718,295 S * 11/2014 Fan D14/251
D727,395 S * 4/2015 Choi D16/242
D754,778 S * 4/2016 Terashita D16/242
D755,876 S * 5/2016 Moss D16/214
2003/0215773 A1 * 11/2003 Green G09B 27/08
434/131

OTHER PUBLICATIONS

The Curve Smart Phone, publication date unknown [online], [retrieved Sep. 14, 2018], Available from Internet, URL: <<http://www.inventionpartner.com/the-curve-smart-phone.html>>.*

BeoCom 2, published Jan. 9, 2013 [online], [retrieved Sep. 14, 2018], Available from Internet, URL: <<http://www.beoshop.co.uk/beocom2>>.*

* cited by examiner

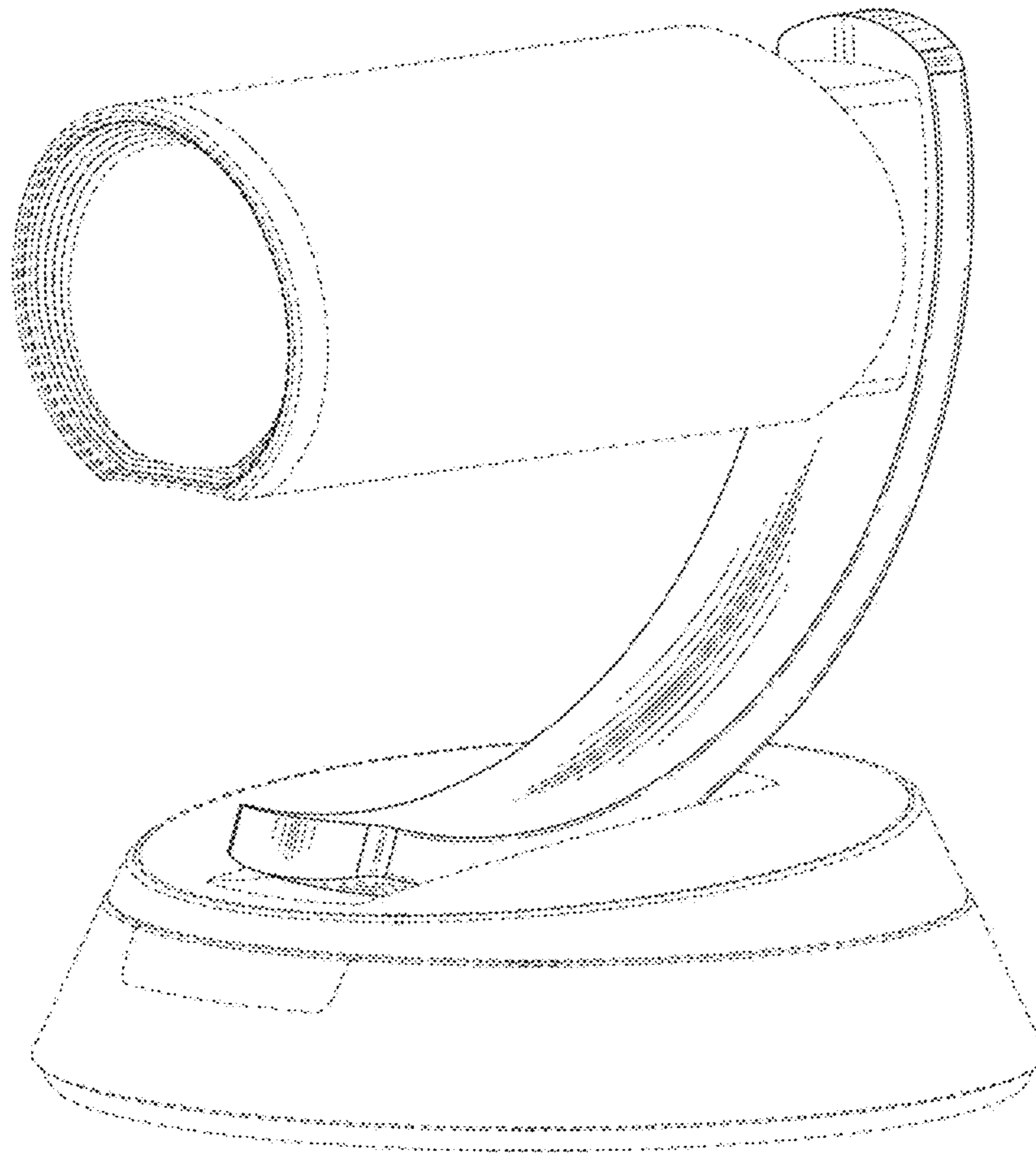


Fig. 1

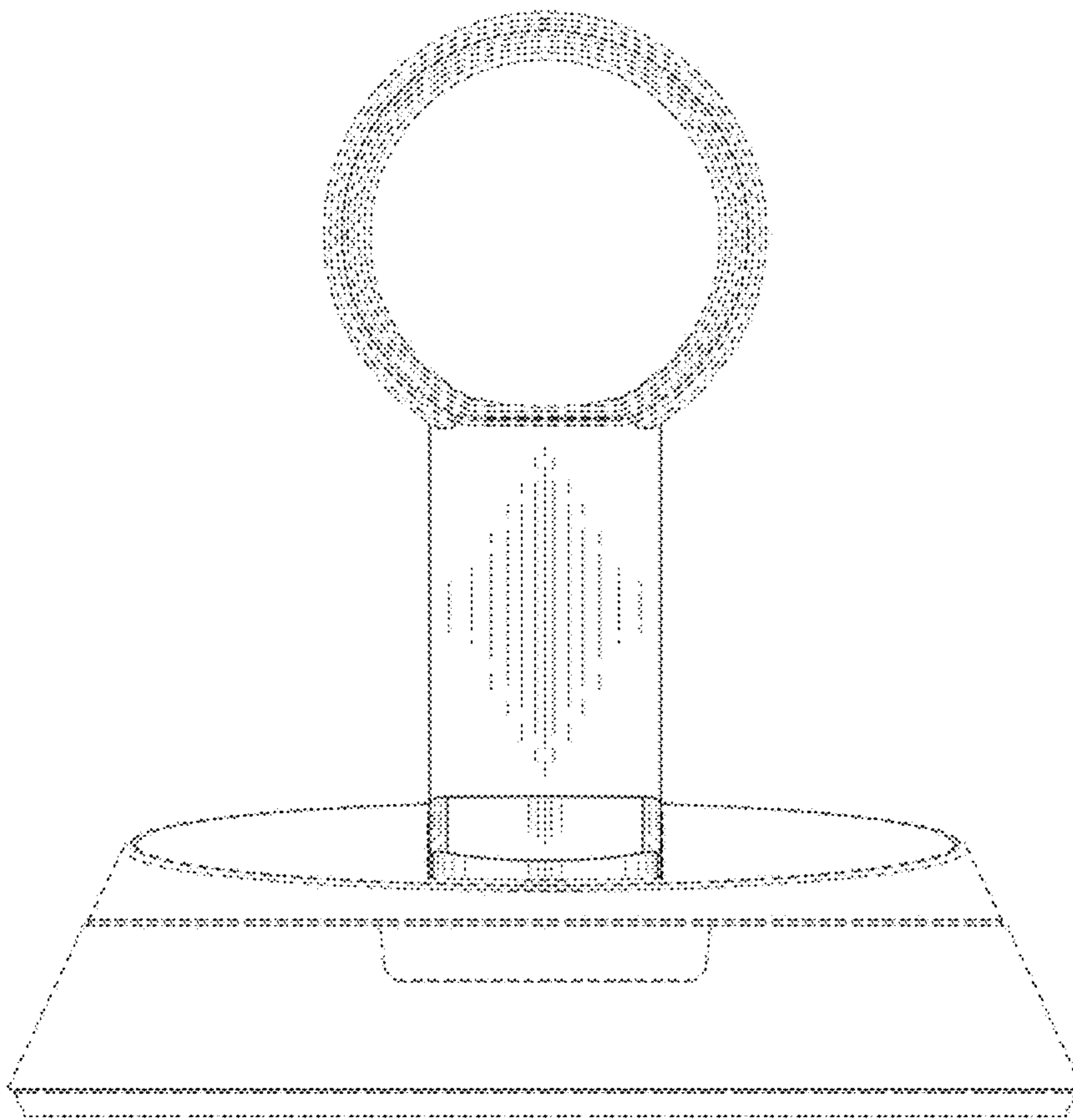


Fig. 2

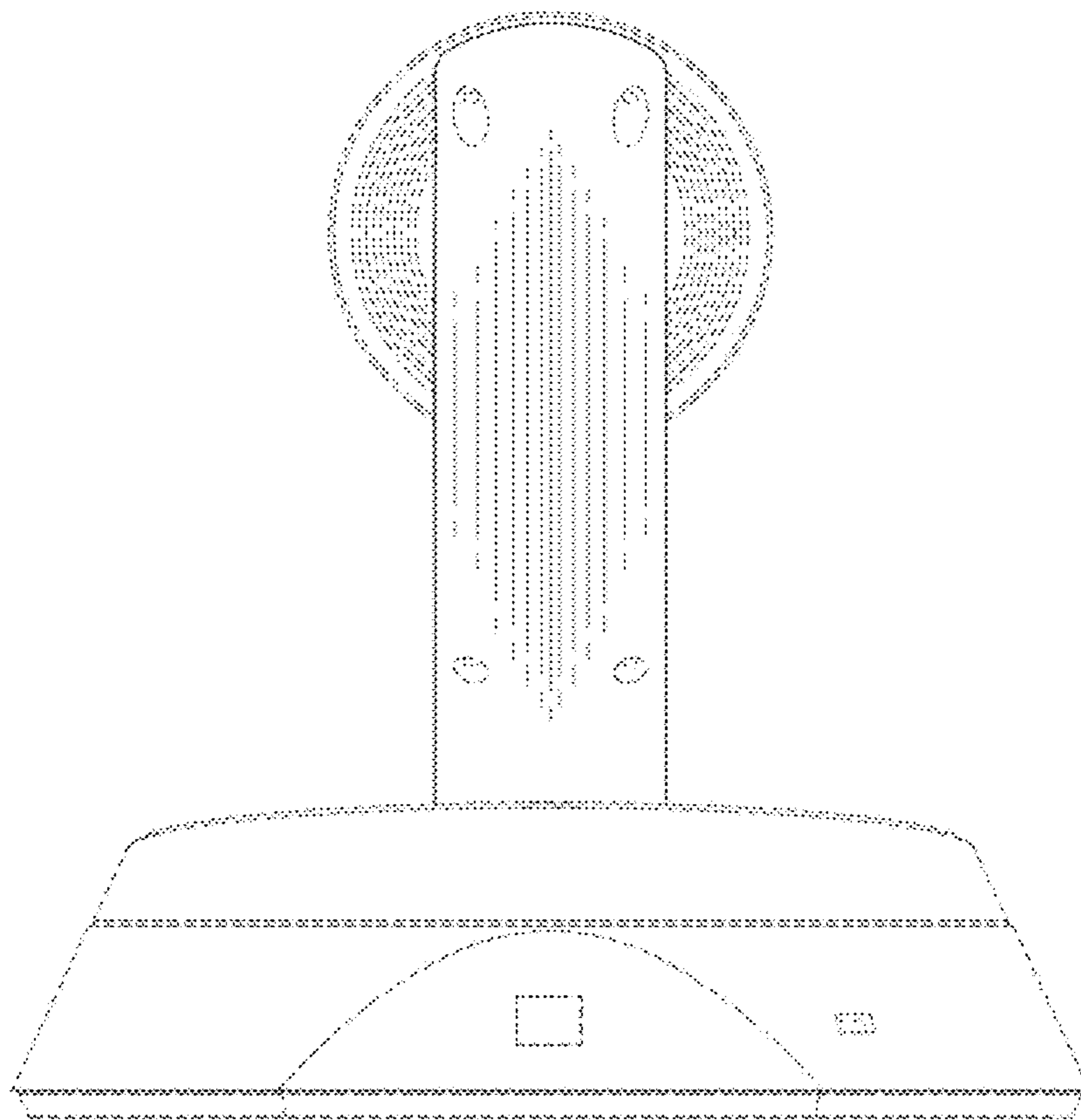


Fig. 3

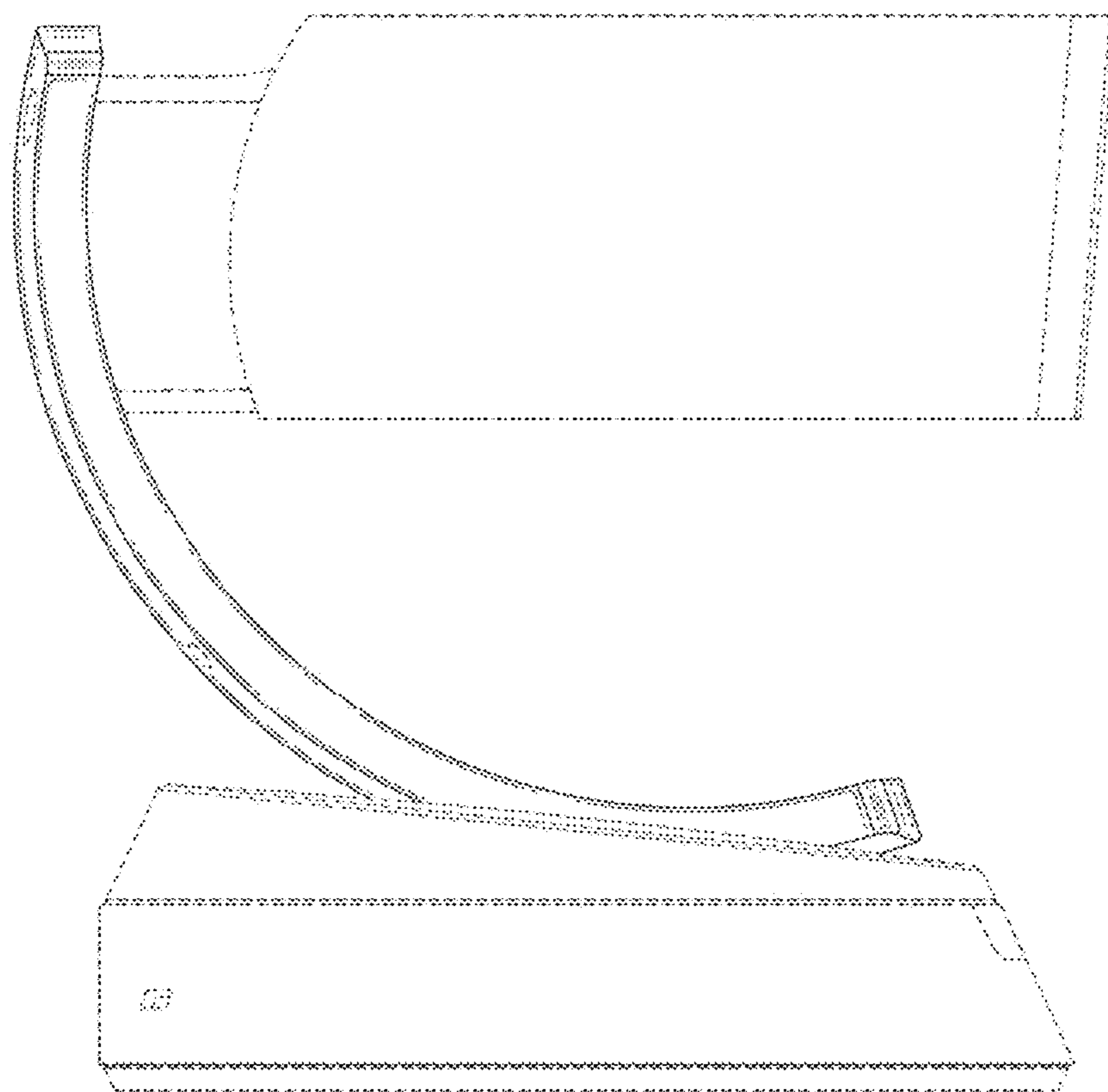


Fig. 4

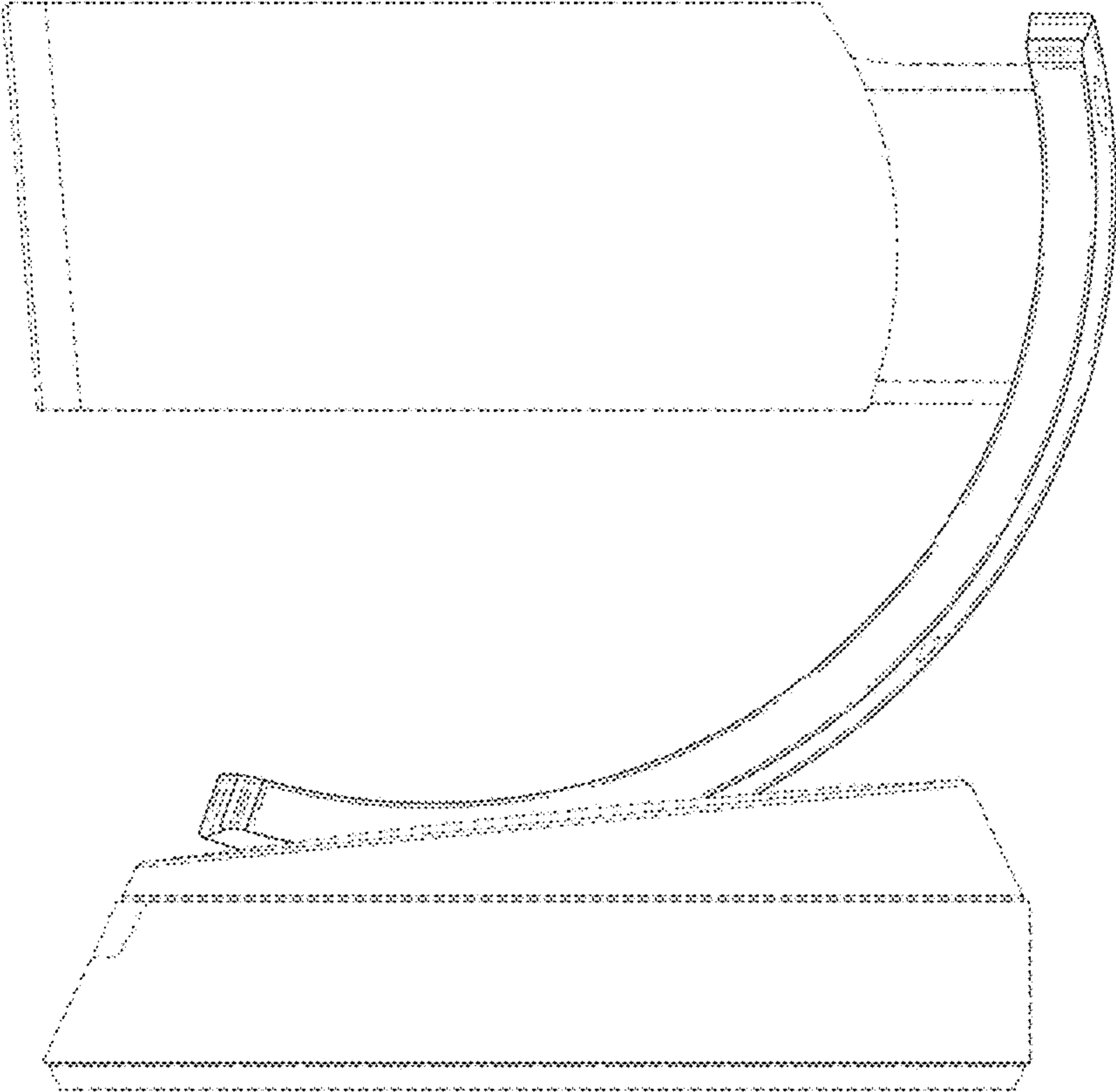


Fig. 5

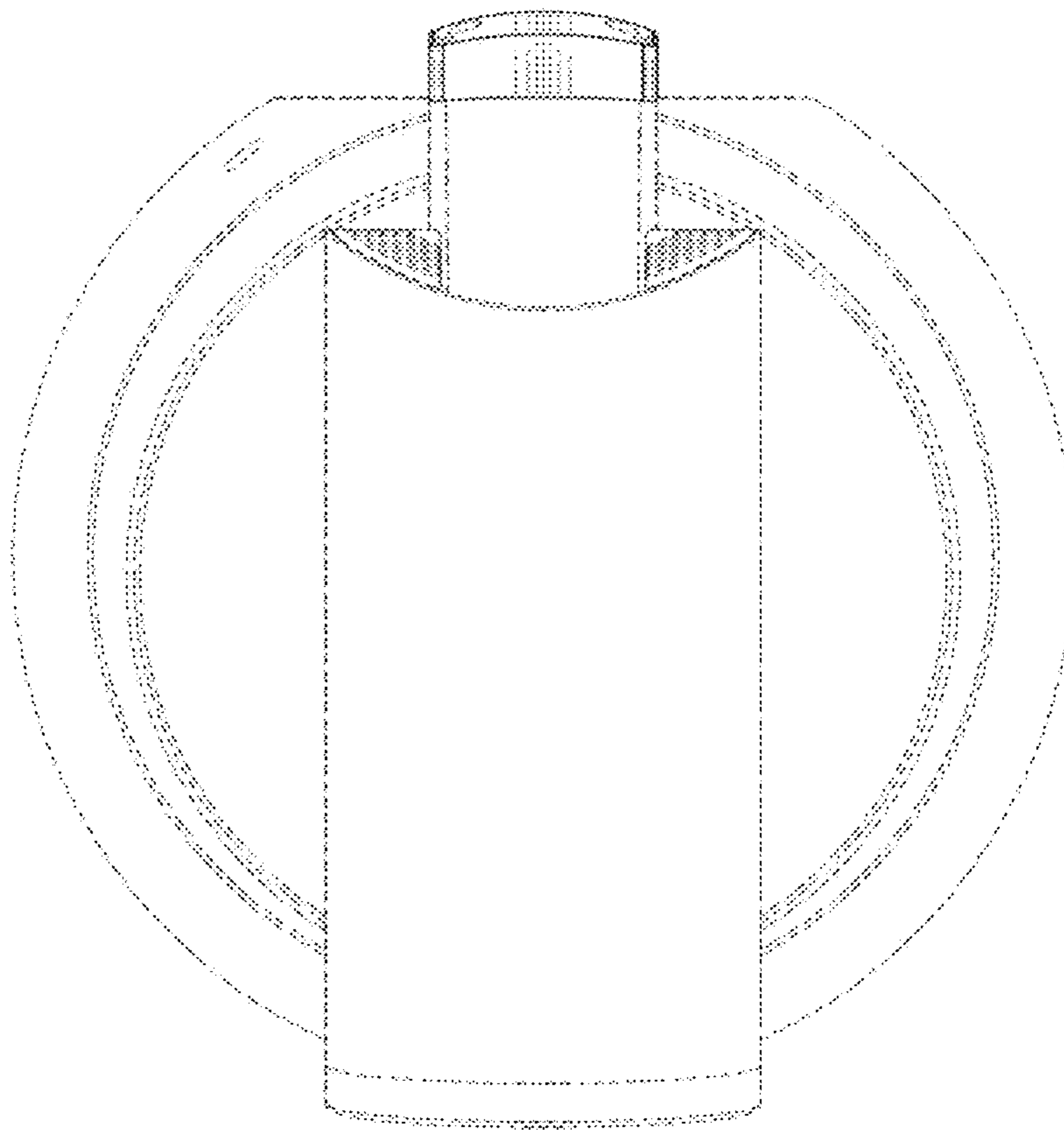


Fig. 6

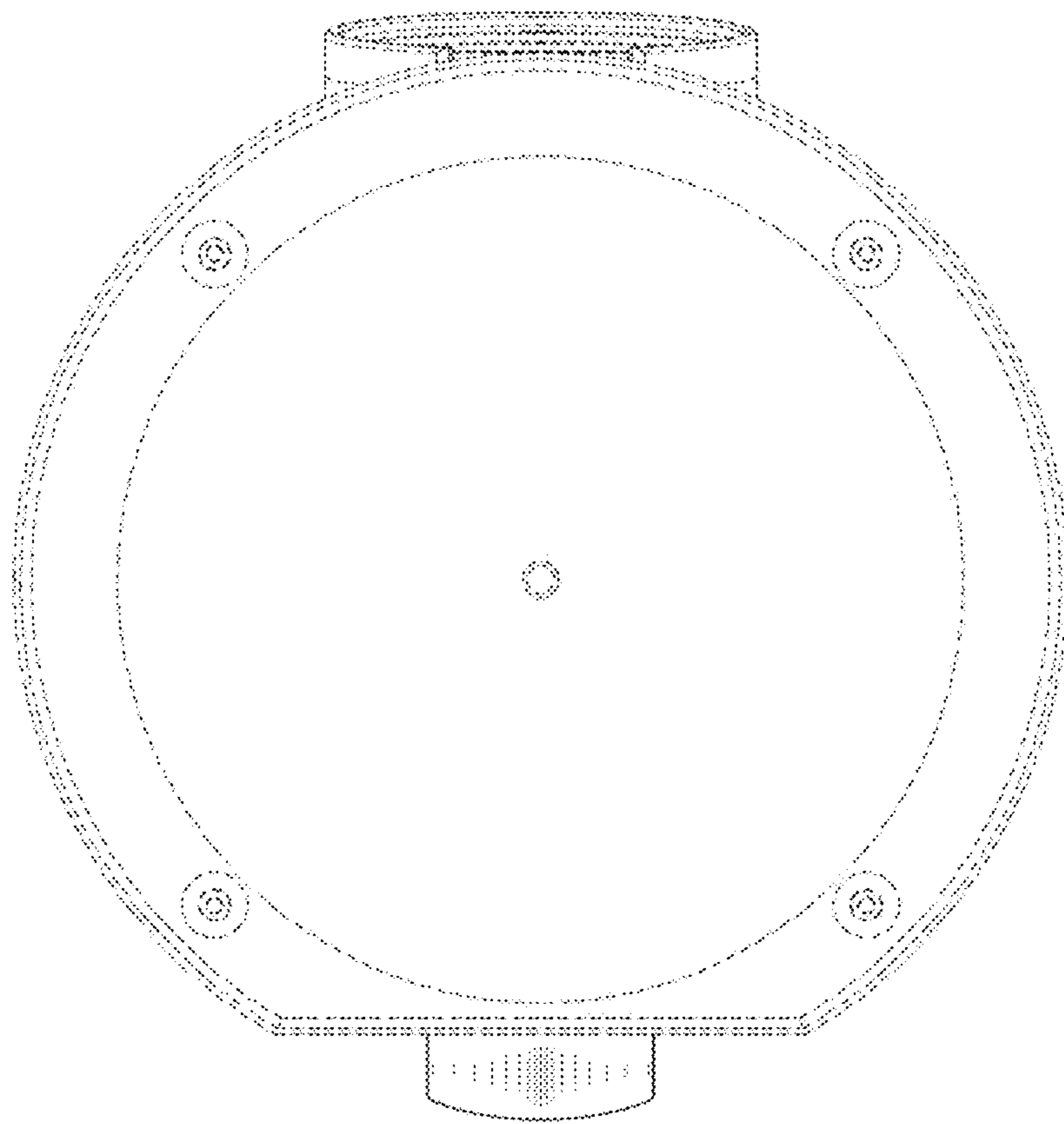


Fig. 7