



US00D839947S

(12) **United States Design Patent**  
**Cunningham et al.**

(10) **Patent No.:** **US D839,947 S**  
(45) **Date of Patent:** **\*\* Feb. 5, 2019**

(54) **QUICK RELEASE CAMERA STRAP**

(71) Applicant: **Peak Design**, San Francisco, CA (US)

(72) Inventors: **Joseph Cunningham**, San Francisco, CA (US); **Arthur Viger**, San Francisco, CA (US); **Peter Dering**, San Francisco, CA (US); **Peter Lockett**, Oakland, CA (US)

(73) Assignee: **Peak Design**, San Francisco, CA (US)

(\*\*) Term: **15 Years**

(21) Appl. No.: **29/621,492**

(22) Filed: **Oct. 9, 2017**

(51) **LOC (11) Cl.** ..... **16-05**

(52) **U.S. Cl.**  
USPC ..... **D16/237; D16/243**

(58) **Field of Classification Search**  
USPC ..... **D16/219, 237-250; D2/500-502, 626**  
(Continued)

(56) **References Cited**

**U.S. PATENT DOCUMENTS**

D462,710 S \* 9/2002 Babcock ..... D17/20  
D532,201 S \* 11/2006 Esch ..... A45F 3/14  
D3/327

(Continued)

**OTHER PUBLICATIONS**

Peak Design Carrying Strap Black L-AS-3. [online] Published Aug. 14, 2017. Retrieved Oct. 12, 2018 from URL: <https://www.bestbuy.com/site/peak-design-carrying-strap-gray/6067507.p?skuId=6067507>.\*

(Continued)

*Primary Examiner* — Vy N Koenig  
(74) *Attorney, Agent, or Firm* — Grumbles Law PLLC;  
Brittany Nanzig; Paul Feng

(57) **CLAIM**

The ornamental design for a quick release camera strap, as shown and described.

**DESCRIPTION**

FIG. 1 is a perspective top and left side view of a quick release camera strap showing our new design.

FIG. 2 is a perspective bottom and left side view of the quick release camera strap.

FIG. 3 is a top plan view of a housing and corresponding strap portion of the quick release camera strap.

FIG. 4 is a bottom plan view of the housing and corresponding strap portion of the quick release camera strap.

FIG. 5 is an elevational left side view of the housing and corresponding strap portion of the quick release camera strap; the elevational right side view is a mirror image of the elevational left side view.

FIG. 6 is an elevational front view of the housing of the quick release camera strap.

FIG. 7 is a perspective top and left side view of the housing and corresponding strap portion of the quick release camera strap.

FIG. 8 is a perspective bottom and left side view of the housing and corresponding strap portion of the quick release camera strap.

FIG. 9 is a top plan view of a strap adjuster and corresponding strap portion of the quick release camera strap.

FIG. 10 is a bottom plan view of the strap adjuster and corresponding strap portion of the quick release camera strap.

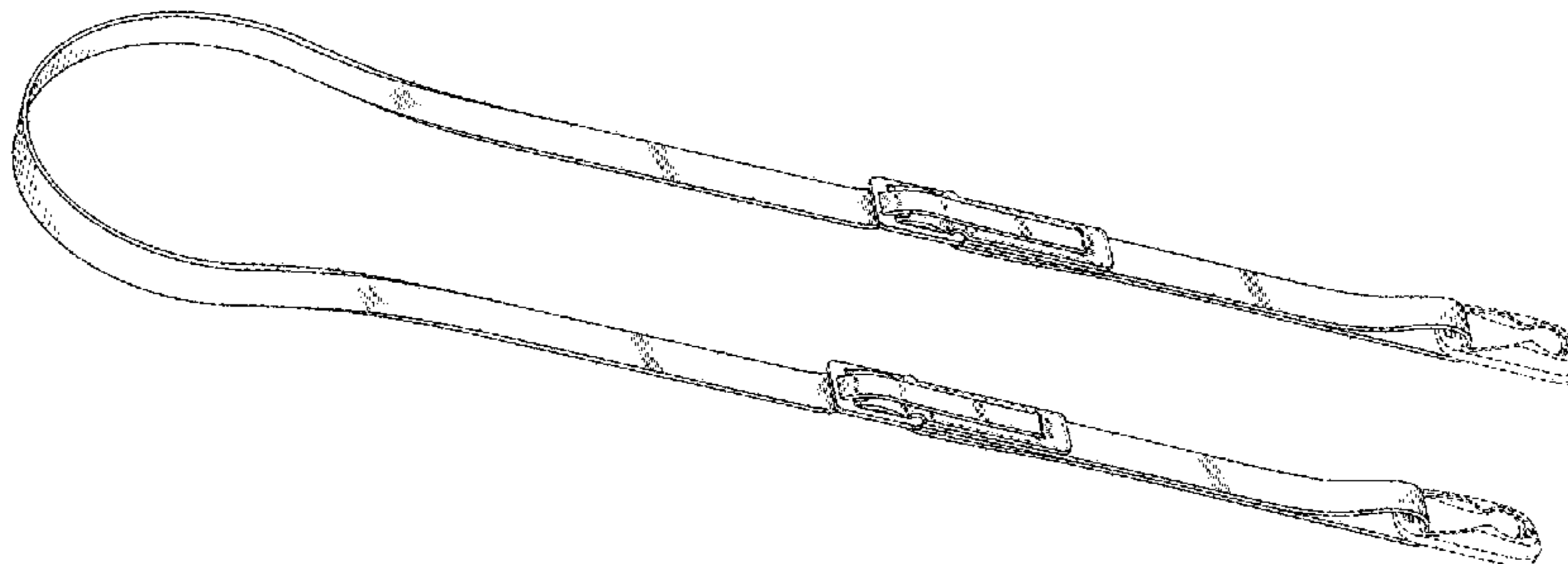
FIG. 11 is an elevational left side view of the strap adjuster and corresponding strap portion of the quick release camera strap.

FIG. 12 is an elevational right side view of the strap adjuster and corresponding strap portion of the quick release camera strap.

FIG. 13 is a perspective top and left side view of the strap adjuster and corresponding strap portion of the quick release camera strap; and,

FIG. 14 is a perspective bottom and left side view of the strap adjuster and corresponding strap portion of the quick release camera strap.

(Continued)



The lighter broken lines of the strap adjuster depict stitching and are part of the claimed design. The bold broken lines of the housing are for the purposes of illustrating environment and form no part of the claimed design.

**1 Claim, 7 Drawing Sheets**

(58) **Field of Classification Search**

CPC .. A45F 5/00; A45F 5/10; F16M 11/06; F16M 11/07; F16M 11/08; F16M 11/09; F16M 11/10; G03B 17/56; G03B 17/561; G03B 17/563; G03B 17/565; G03B 17/566; G03B 17/568; H04N 5/2253-5/2254

See application file for complete search history.

(56) **References Cited**

U.S. PATENT DOCUMENTS

D609,011 S *	2/2010	Cucuzza .....	A45F 5/12 D3/327
D623,860 S *	9/2010	Kope .....	G03B 17/566 D3/327
D673,994 S *	1/2013	Geller .....	D16/243

D674,431 S *	1/2013	Kim .....	D16/243
D683,384 S *	5/2013	Swaggart .....	D16/243
D691,651 S *	10/2013	Kim .....	D16/242
8,840,532 B2 *	9/2014	Hetrick .....	A44B 11/2557 482/126
9,185,965 B1 *	11/2015	Bhati .....	A45F 5/00
D750,501 S *	3/2016	Akana .....	D9/722
D794,110 S *	8/2017	Swaggart .....	D16/237
D816,759 S *	5/2018	Swaggart .....	D16/243
2002/0030072 A1 *	3/2002	Schleifer .....	A43B 5/0425 224/257
2003/0160078 A1 *	8/2003	Godshaw .....	A45F 3/14 224/607
2013/0233902 A1 *	9/2013	Henry .....	A45F 3/12 224/600
2015/0033510 A1 *	2/2015	Nagi .....	A45F 3/14 24/302

OTHER PUBLICATIONS

Magpul Industries Corp.; MS1 Sling; website; <https://www.magpul.com/products/ms1-sling>.  
Peak Design; Peak Design Leash Camera Strap; website; <https://www.amazon.com/Peak-Design-Leash-Camera-Strap/dp/B011XMVW2S>.

\* cited by examiner

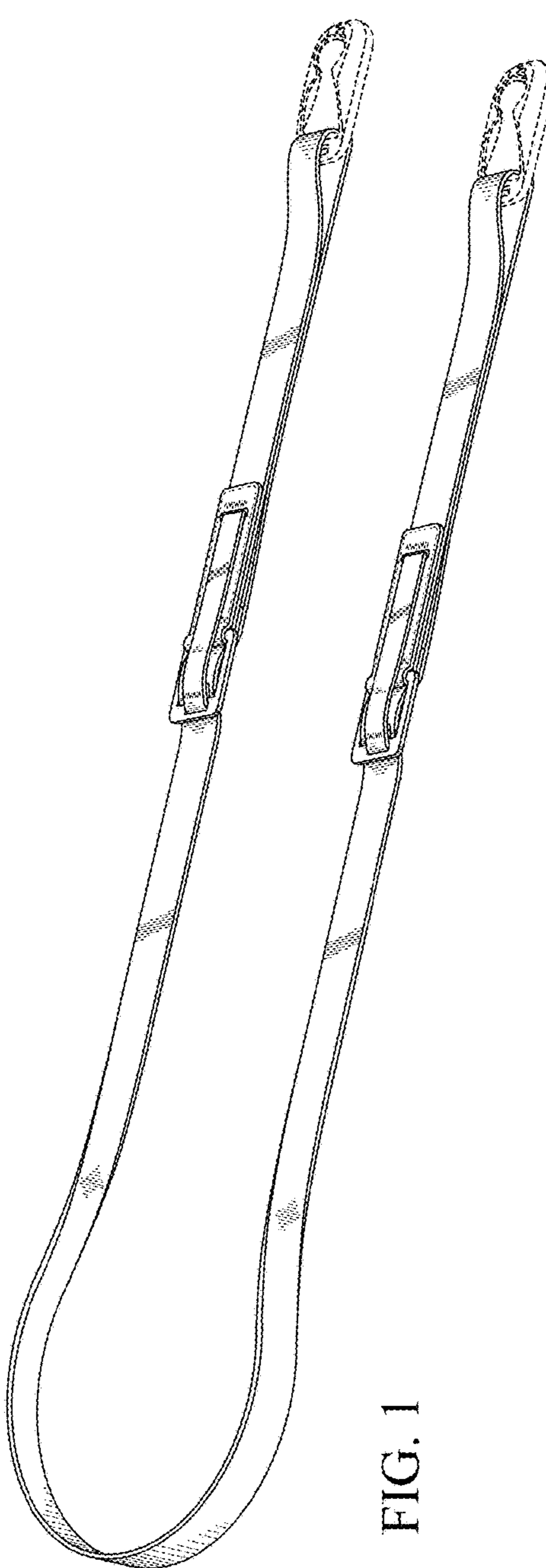


FIG. 1

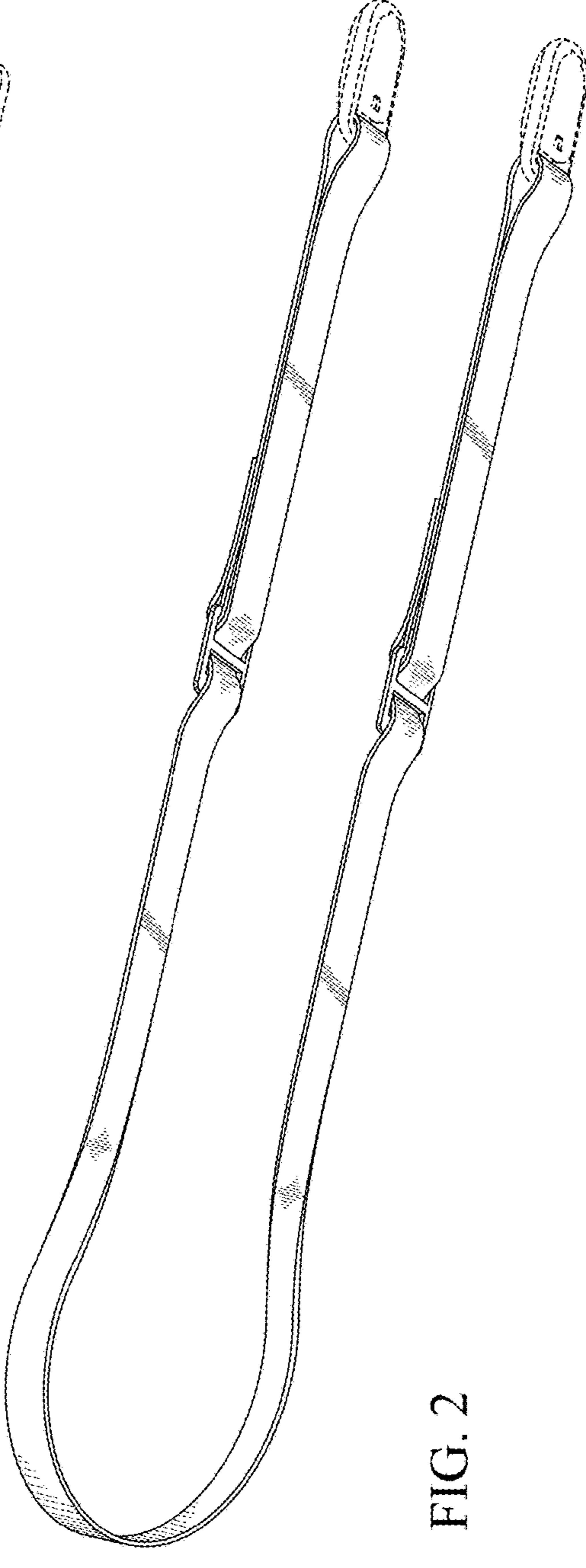


FIG. 2

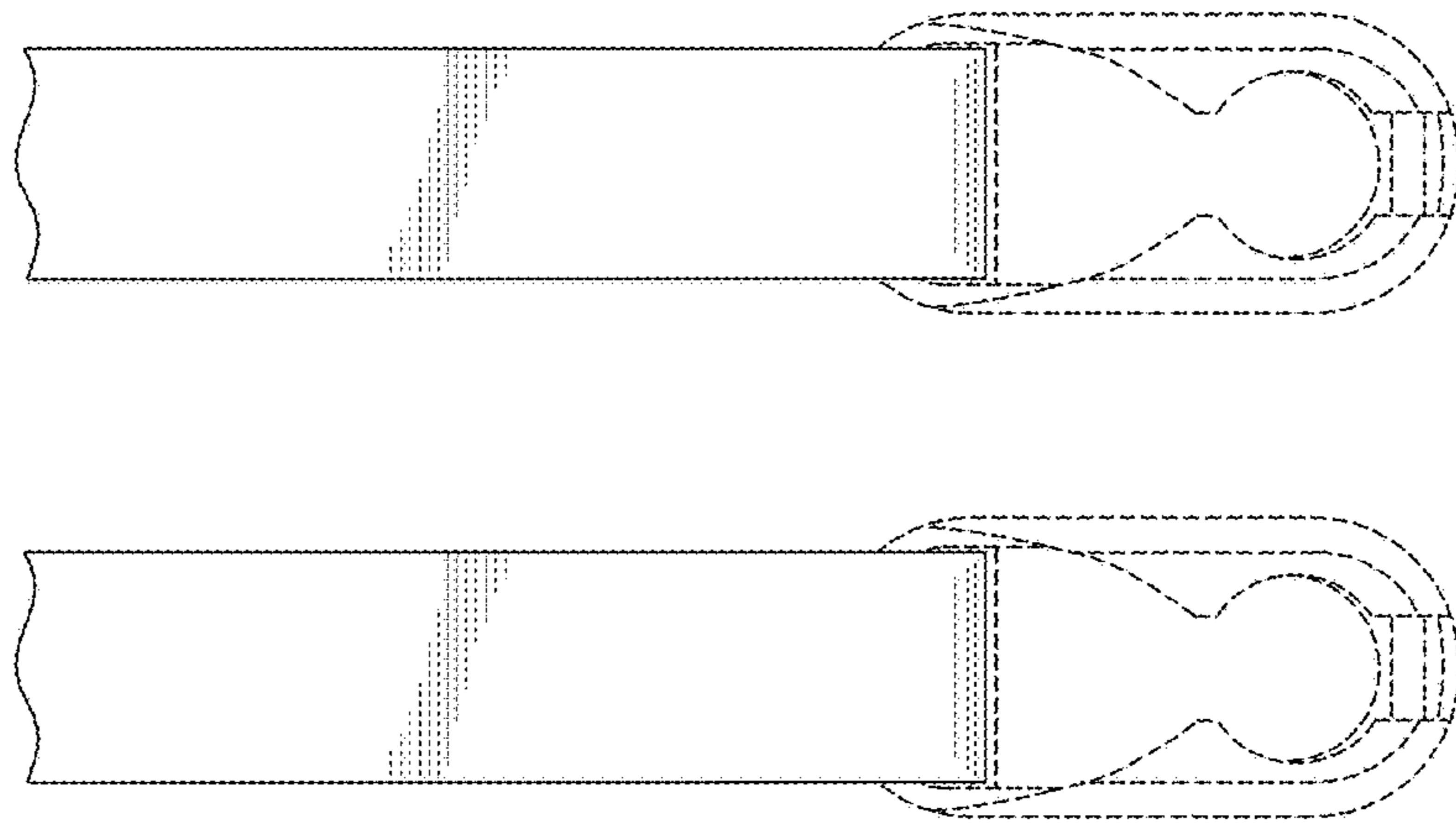


FIG. 3

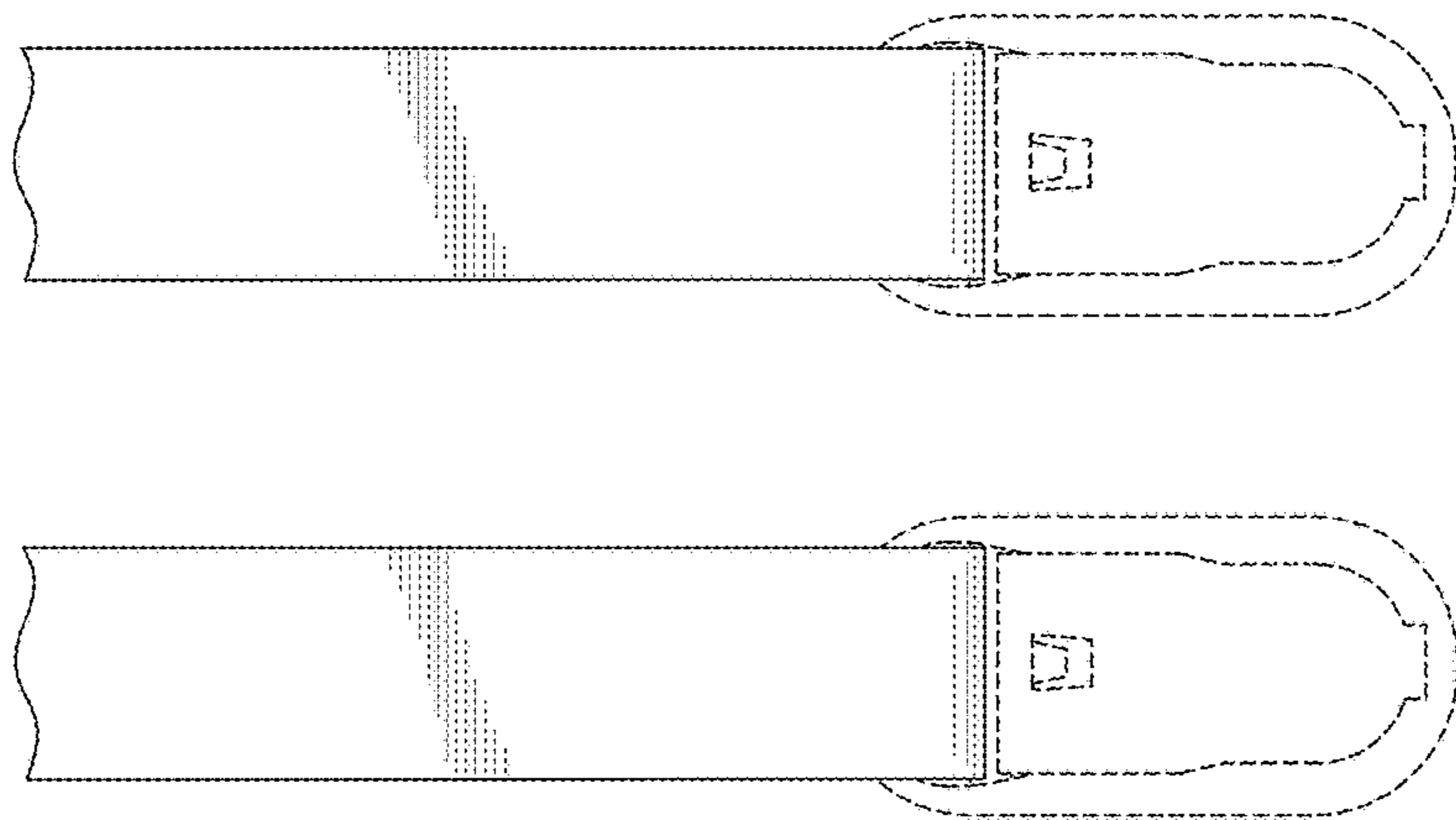


FIG. 4

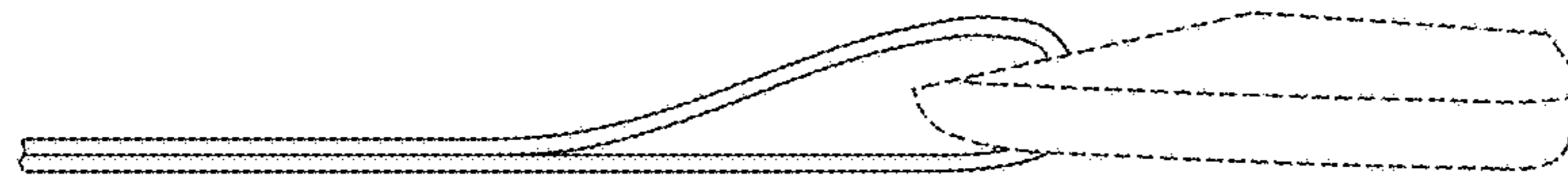


FIG. 5



FIG. 6



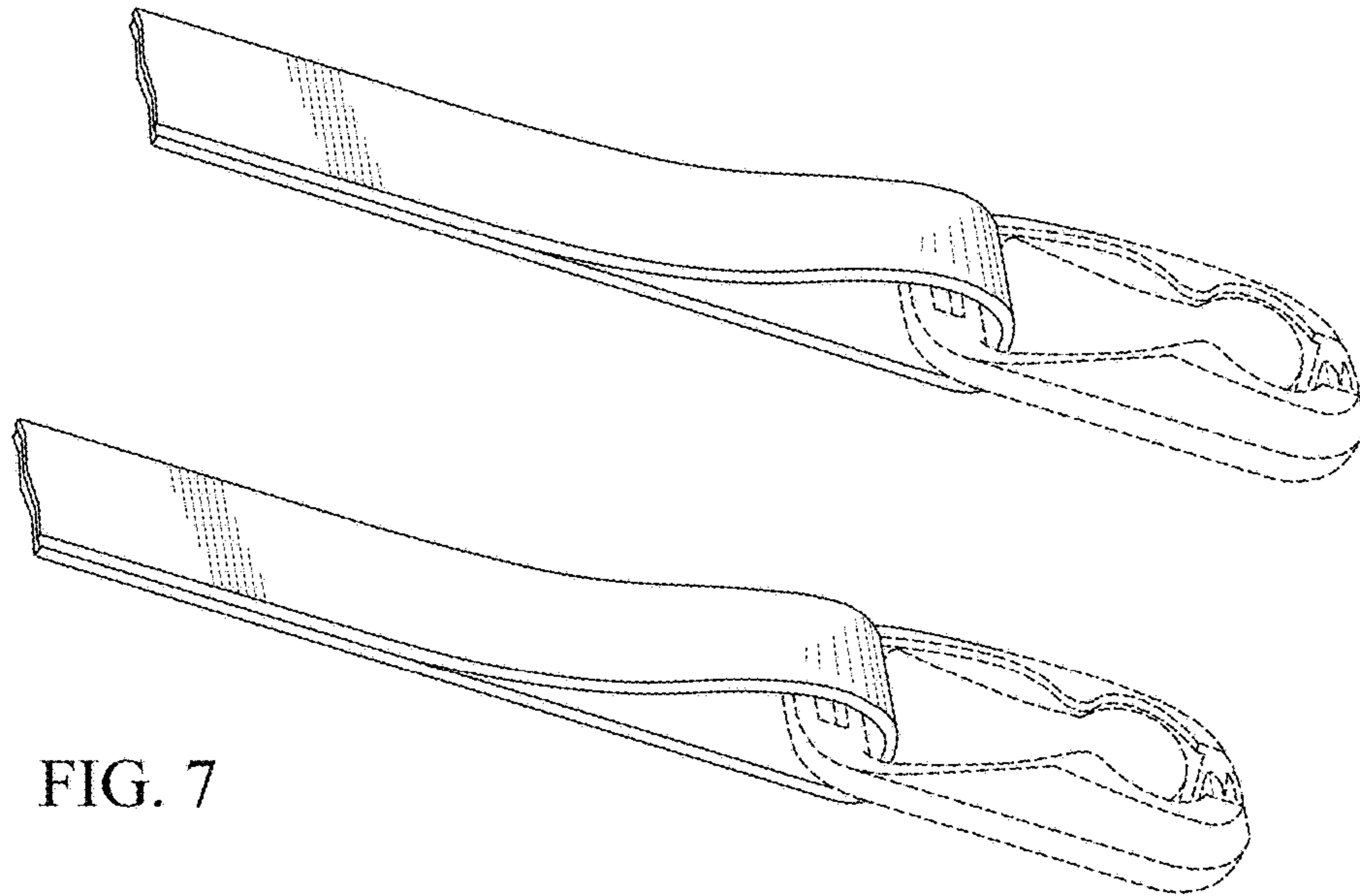


FIG. 7

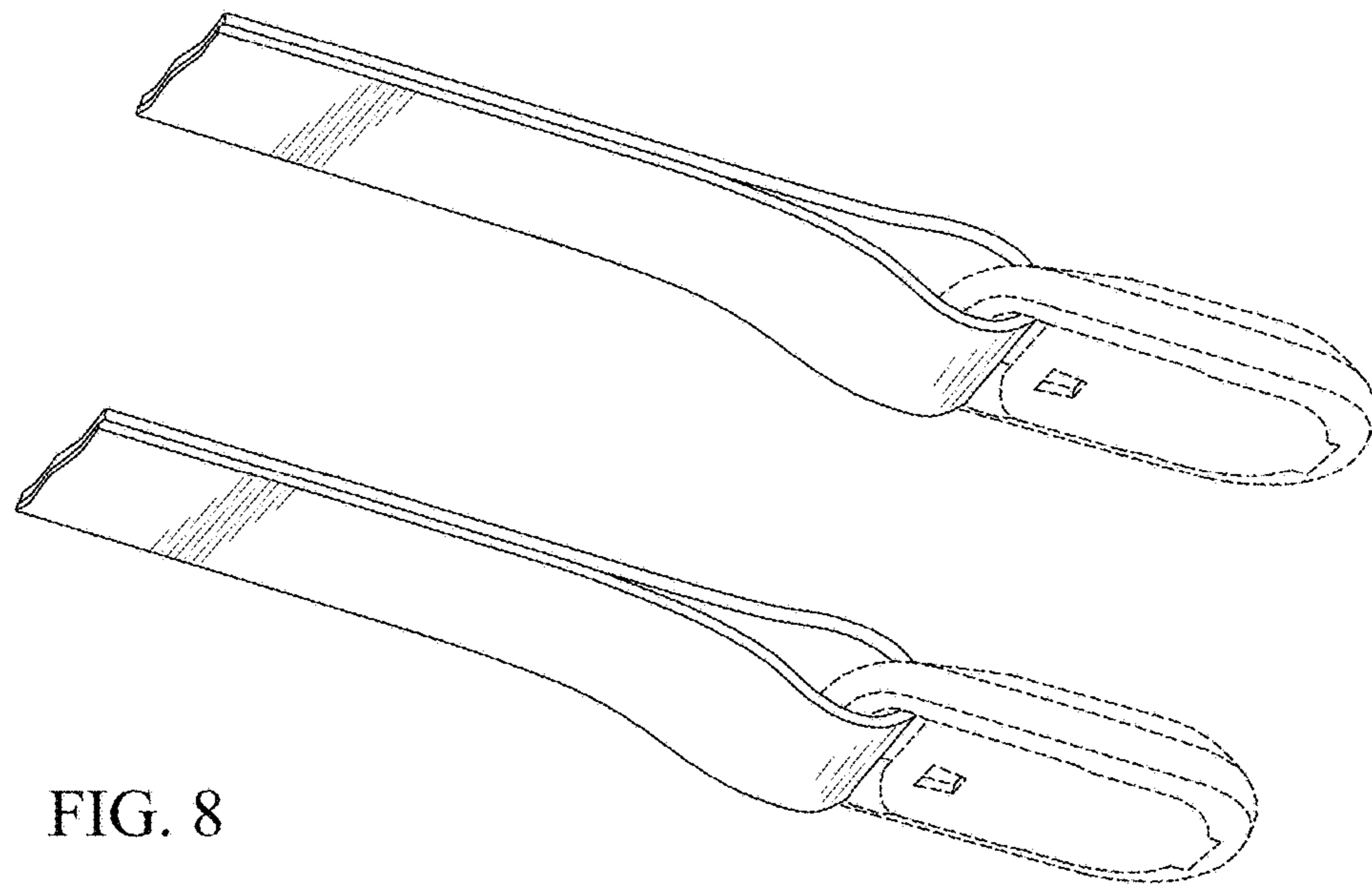


FIG. 8

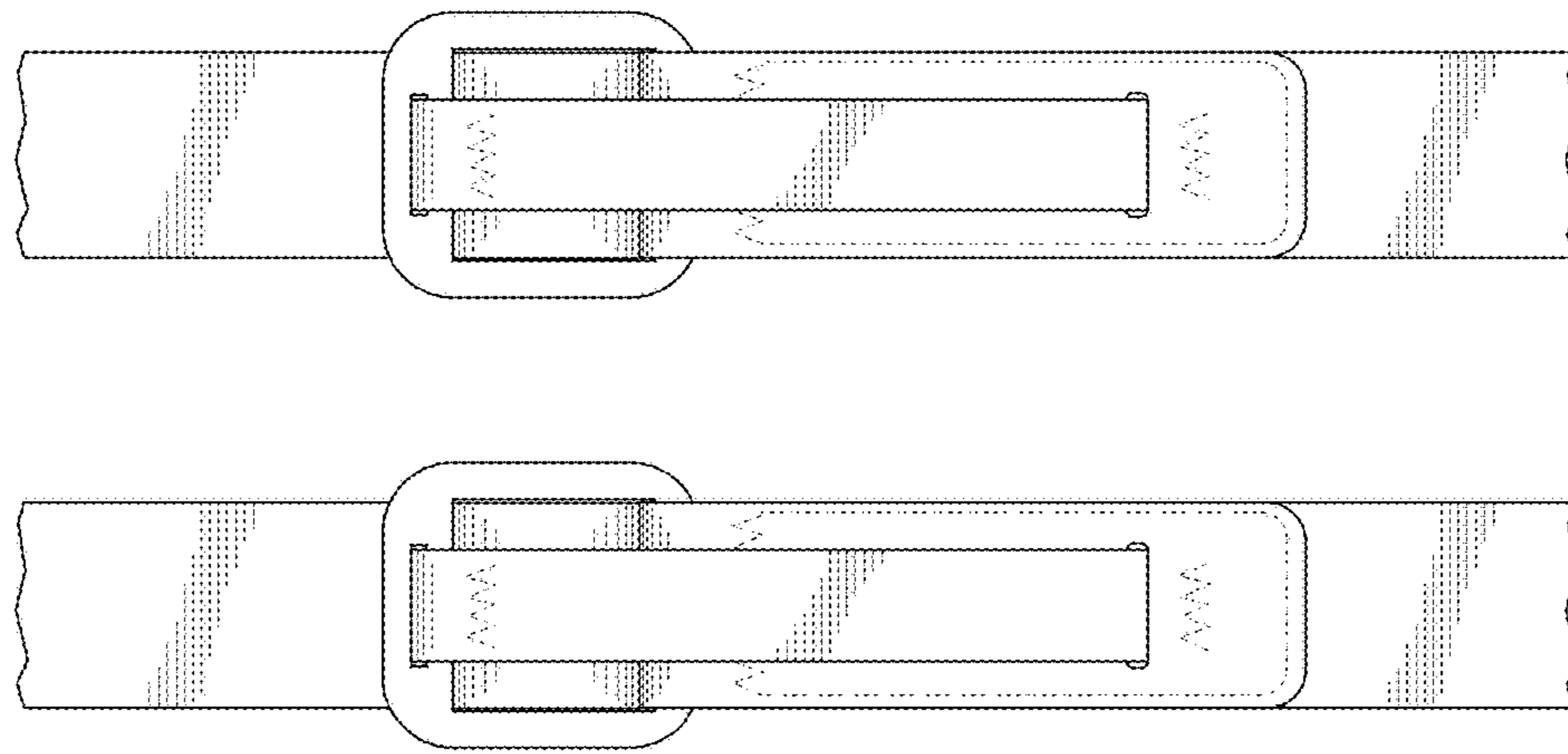


FIG. 9

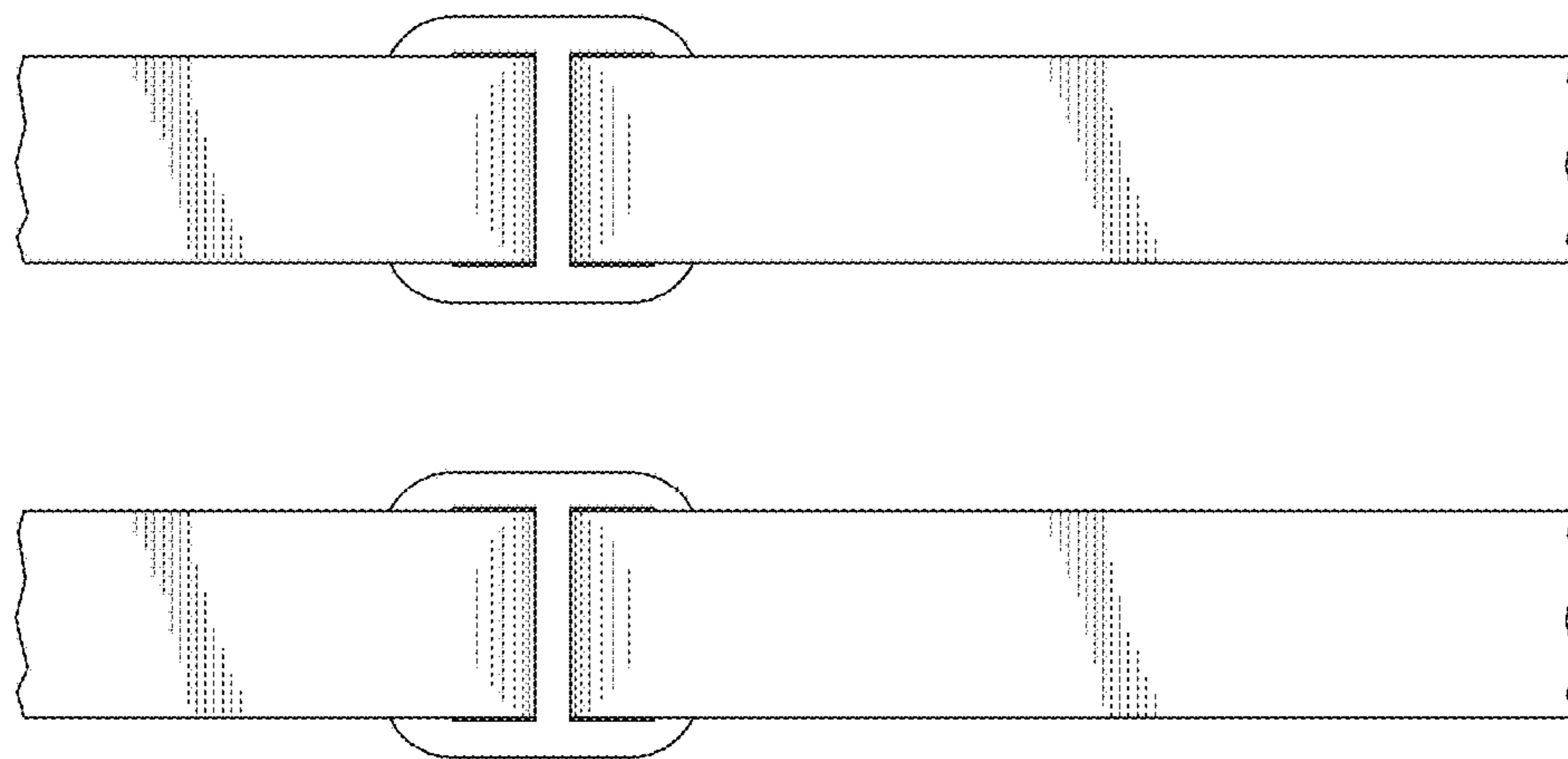


FIG. 10

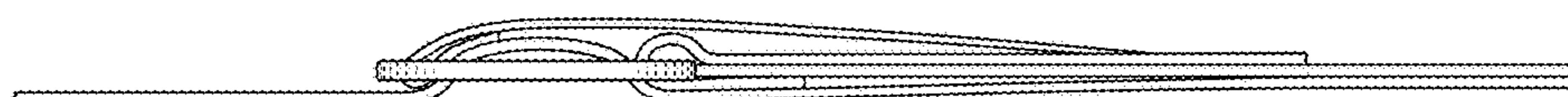


FIG. 11

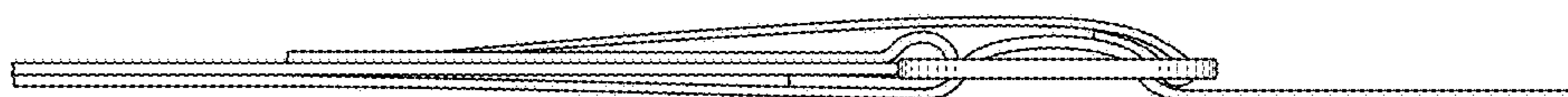


FIG. 12



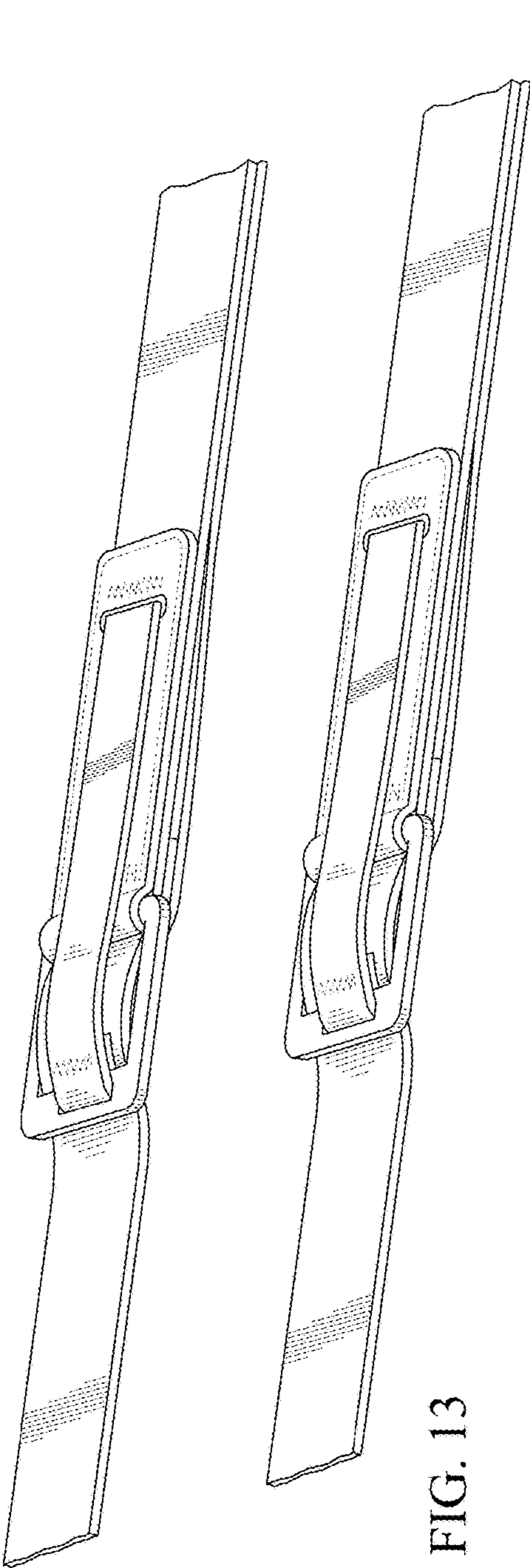


FIG. 13

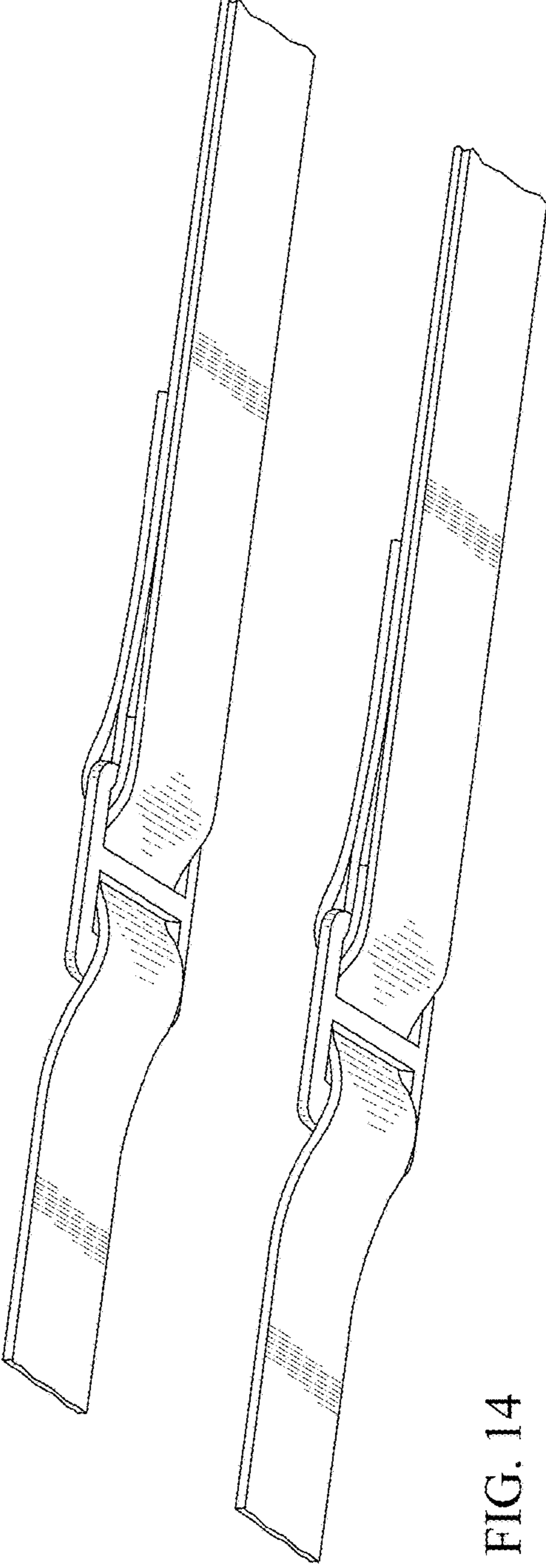


FIG. 14