



US00D839946S

(12) **United States Design Patent** (10) **Patent No.:** **US D839,946 S**
De Vries (45) **Date of Patent:** **** Feb. 5, 2019**

(54) **WEBCAM COVER**

(71) Applicant: **SECUFERRO B.V.**, Haarlem (NL)

(72) Inventor: **Simon Siebren De Vries**, Haarlem (NL)

(73) Assignee: **SECUFERRO B.V.**, Haarlem (NL)

(**) Term: **15 Years**

(21) Appl. No.: **29/592,418**

(22) Filed: **Jan. 30, 2017**

(30) **Foreign Application Priority Data**

Jan. 3, 2017 (EM) 003566330-001

(51) **LOC (11) Cl.** **16-05**

(52) **U.S. Cl.**
USPC **D16/237**

(58) **Field of Classification Search**
USPC D16/200-220, 131, 237, 242, 239, 250,
D16/235, 130, 134, 136, 245; D26/118,
(Continued)

(56) **References Cited**

U.S. PATENT DOCUMENTS

D628,615 S * 12/2010 Siegel D16/237
D706,327 S * 6/2014 Warr E05B 17/185
D16/130

(Continued)

FOREIGN PATENT DOCUMENTS

EM 002730549-0001 * 7/2015
EM 003566330-0001 * 1/2017

Primary Examiner — Barbara Fox

Assistant Examiner — Mary C Ramirez

(74) *Attorney, Agent, or Firm* — Porzio Bromberg & Newman P.C.

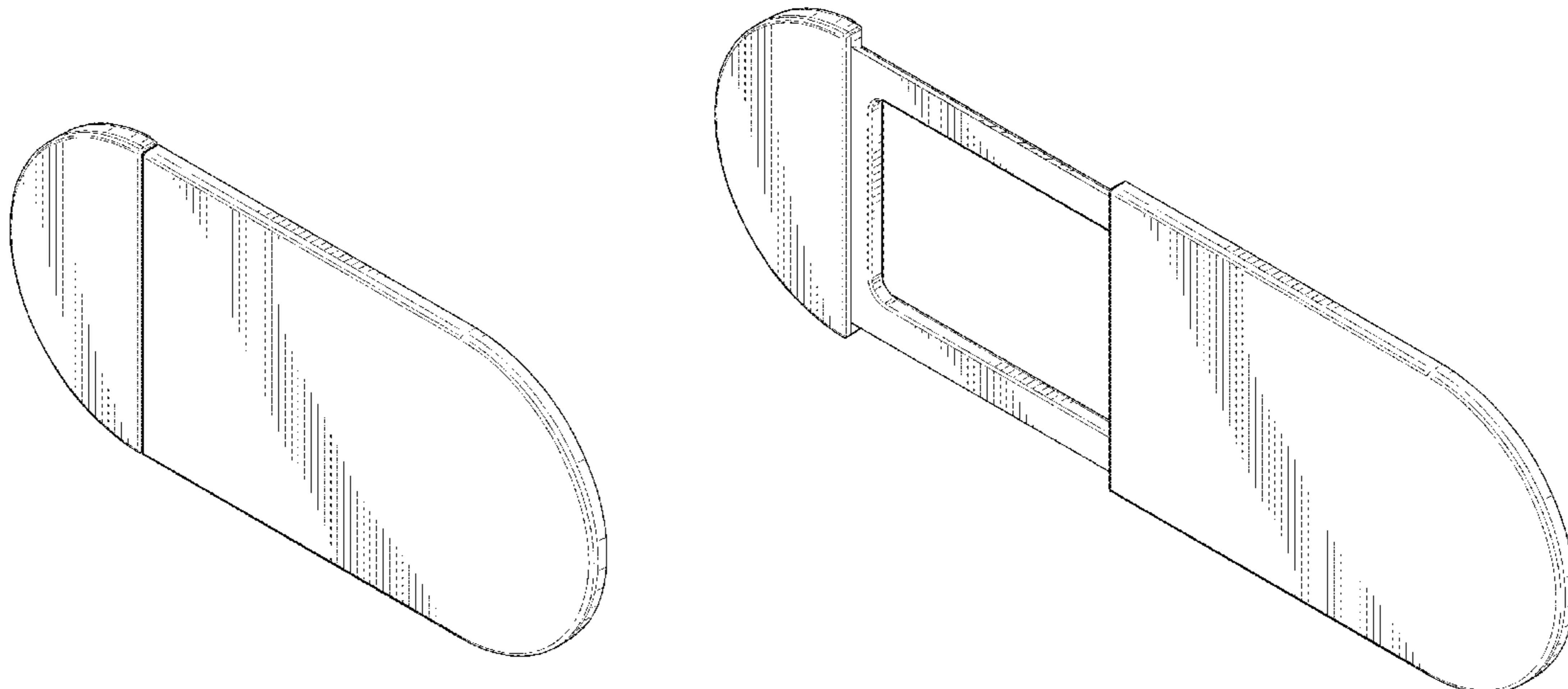
(57) **CLAIM**

I claim, the ornamental design for a webcam cover, as shown and described.

DESCRIPTION

FIG. 1 is a top, front, right perspective view of a webcam cover showing the new design, FIG. 2 is a front view thereof, FIG. 3 is a rear view thereof, FIG. 4 is a top view thereof, FIG. 5 is a bottom view thereof, FIG. 6 is a right side view thereof, FIG. 7 is a left side view thereof, FIG. 8 is a longitudinal-sectional view of the webcam cover taken along line 8-8 in FIG. 2, FIG. 9 is a cross-sectional view of the webcam cover taken along line 9-9 in FIG. 2, FIG. 10 is a perspective view of FIG. 1 in an open position, FIG. 11 is a front view of FIG. 10, FIG. 12 is a rear view of FIG. 10, FIG. 13 is a top view of FIG. 10, FIG. 14 is a bottom view of FIG. 10, FIG. 15 is a right side view of FIG. 10, FIG. 16 is a left side view of FIG. 10, FIG. 17 is a perspective view of the right portion of FIG. 1 with the left portion of FIG. 1 removed to show aspects of the design that are not visible when combined, FIG. 18 is a front view of FIG. 17, FIG. 19 is a rear view of FIG. 17, FIG. 20 is a top view of FIG. 17, FIG. 21 is a bottom view of FIG. 17, FIG. 22 is a right side view of FIG. 17, FIG. 23 is a left side view of FIG. 17, FIG. 24 is a perspective view of the left portion of FIG. 1 with the right portion of FIG. 1 removed to show aspects of the design that are not visible when combined, FIG. 25 is a front view of FIG. 24, FIG. 26 is a rear view of FIG. 24, FIG. 27 is a top view of FIG. 24, FIG. 28 is a bottom view of FIG. 24, FIG. 29 is a left side view of FIG. 24; and, FIG. 30 is a right side view of FIG. 24.

1 Claim, 17 Drawing Sheets



(58) **Field of Classification Search**

USPC D26/138-140; D30/110, 119, 124;
 D14/242, 203.1, 203.3, 203.7; D10/74,
 D10/50, 64, 66
 CPC H04M 2250/52; H04N 5/2251; H04N
 5/2252; H04N 5/2253; H01H 2231/046;
 G02B 13/00; G02B 13/19621; G03B
 11/048; G03B 11/04; G03B 11/041;
 G03B 11/043; G03B 11/045

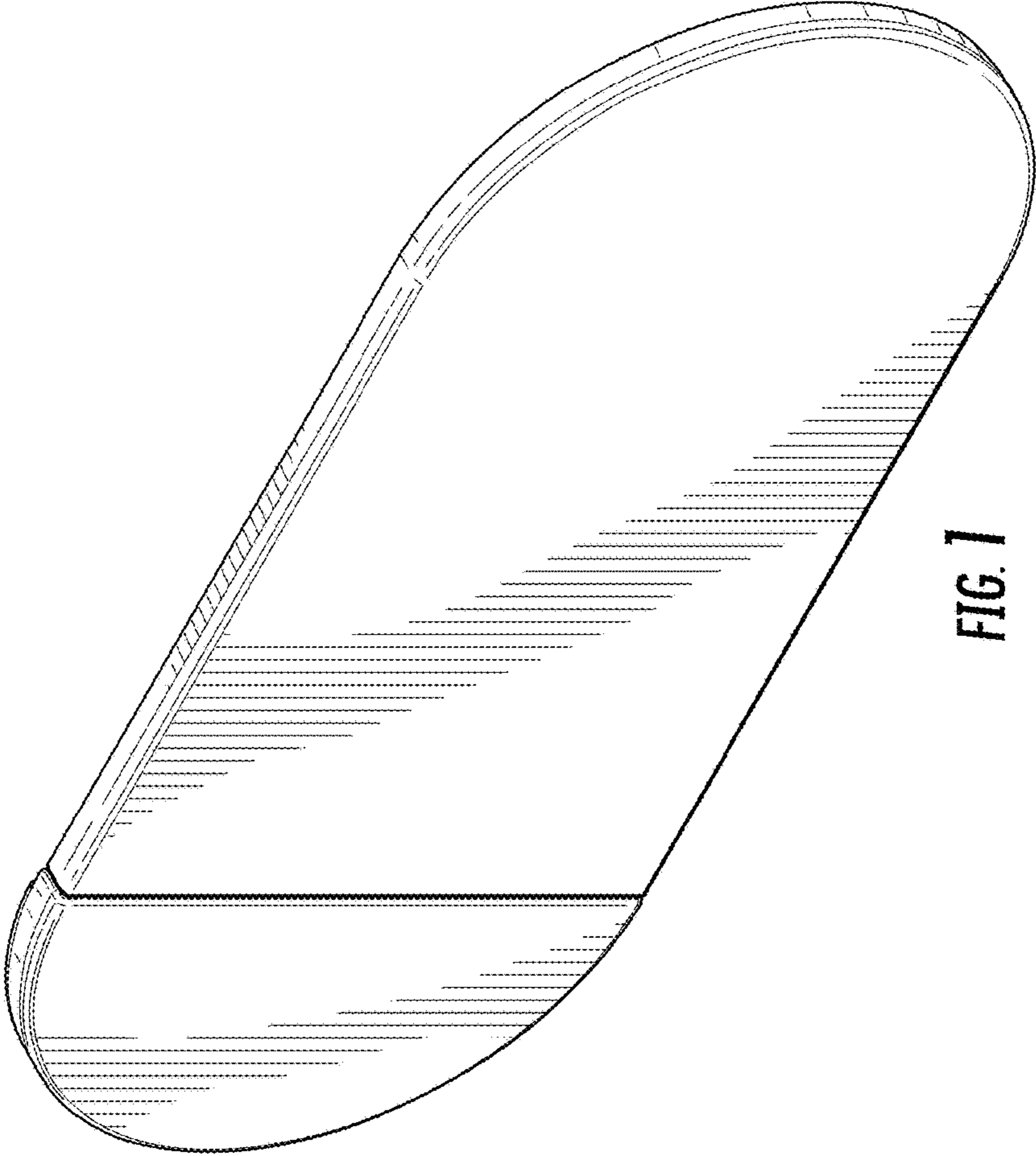
See application file for complete search history.

(56) **References Cited**

U.S. PATENT DOCUMENTS

D714,852	S *	10/2014	Levesque	D16/237
D718,803	S *	12/2014	Smith	D16/250
D721,396	S *	1/2015	Gustaveson, II	D16/237
D740,111	S *	10/2015	Espinoza	D8/395
D763,843	S *	8/2016	Gustaveson, II	D14/250
D782,562	S *	3/2017	Gustaveson, II	D16/237
D807,937	S *	1/2018	Warr	D16/135
D807,947	S *	1/2018	Gustaveson, II	D16/237
D808,457	S *	1/2018	Gustaveson, II	D16/237
D810,180	S *	2/2018	Gustaveson, II	D16/237
D816,149	S *	4/2018	Dalton	D16/237
10,070,021	B1 *	9/2018	Rolle	H04N 5/2251
2014/0220269	A1 *	8/2014	Ogufere Ogufere ...	B44C 5/005 428/34.1
2017/0329206	A1 *	11/2017	Gustaveson, II	G03B 11/048
2017/0371128	A1 *	12/2017	Li	H04N 17/002

* cited by examiner



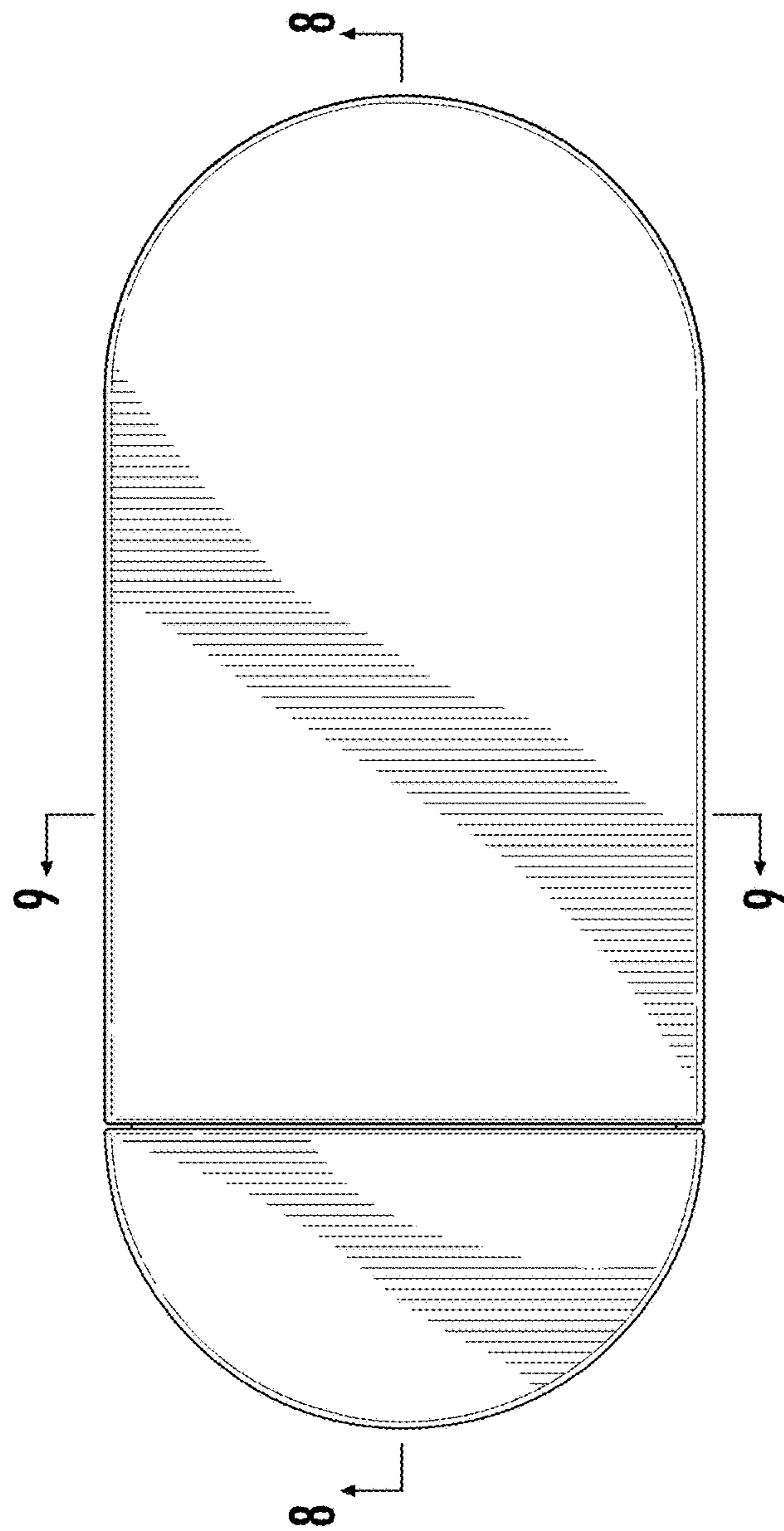


FIG. 2

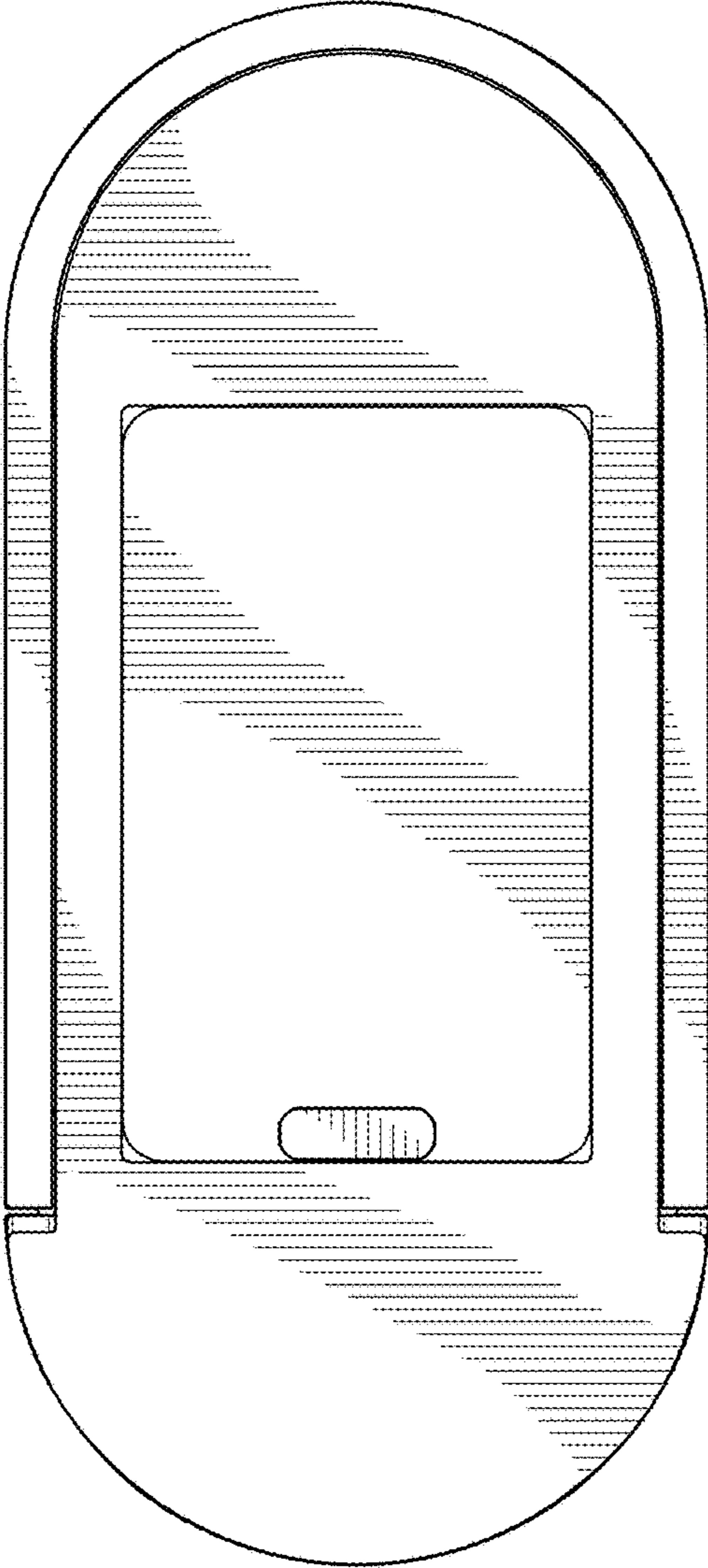


FIG. 3



FIG. 4



FIG. 5



FIG. 6

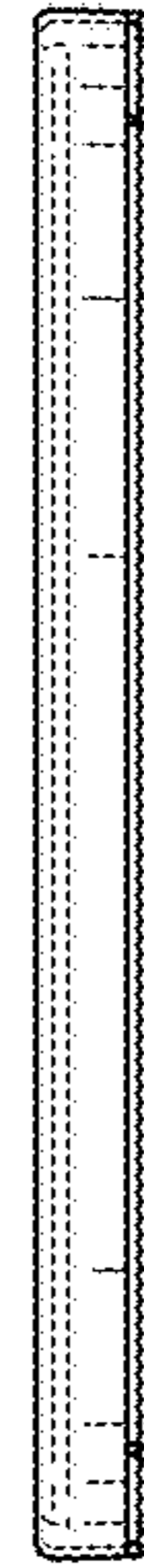


FIG. 7



FIG. 8



FIG. 9

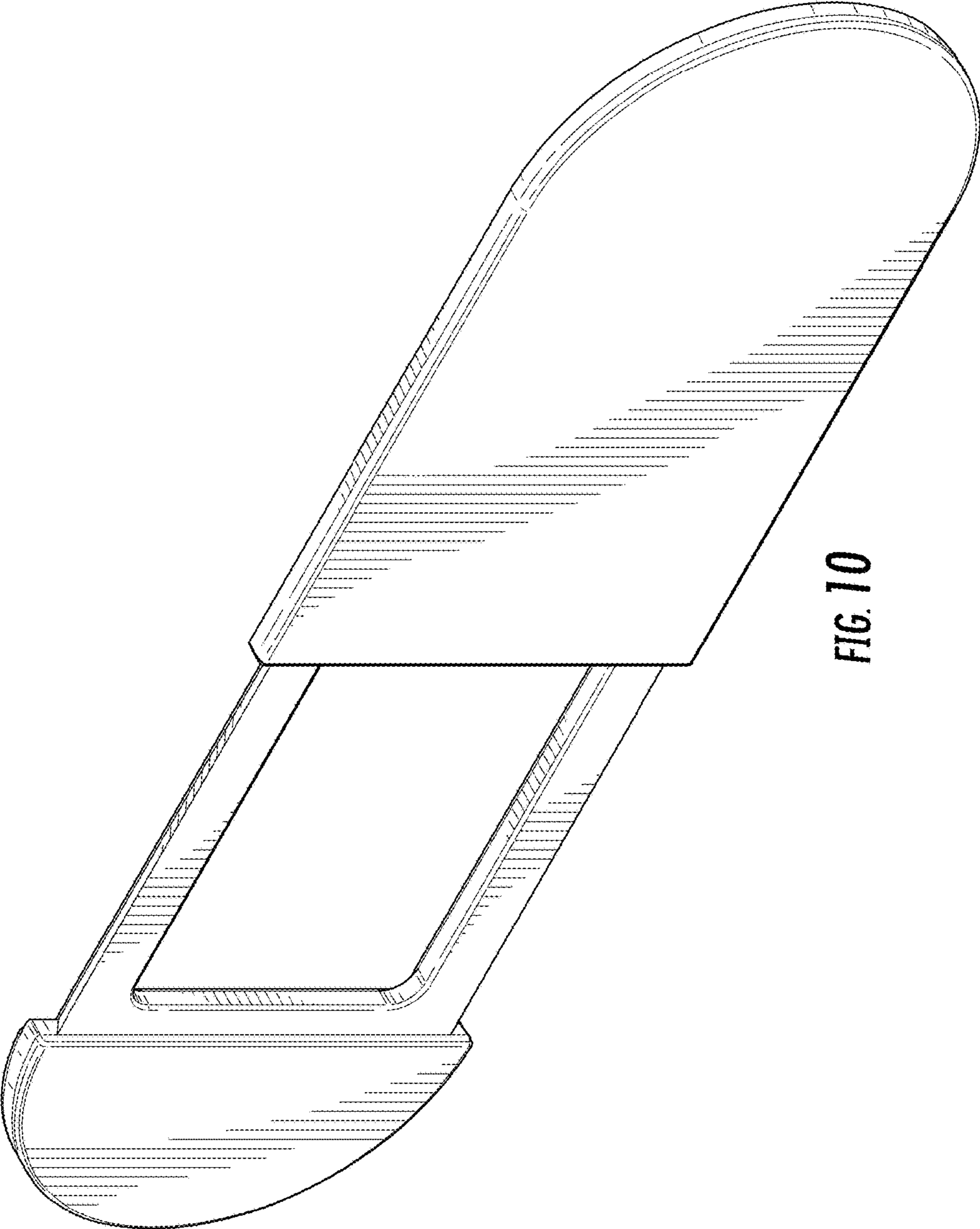


FIG. 10

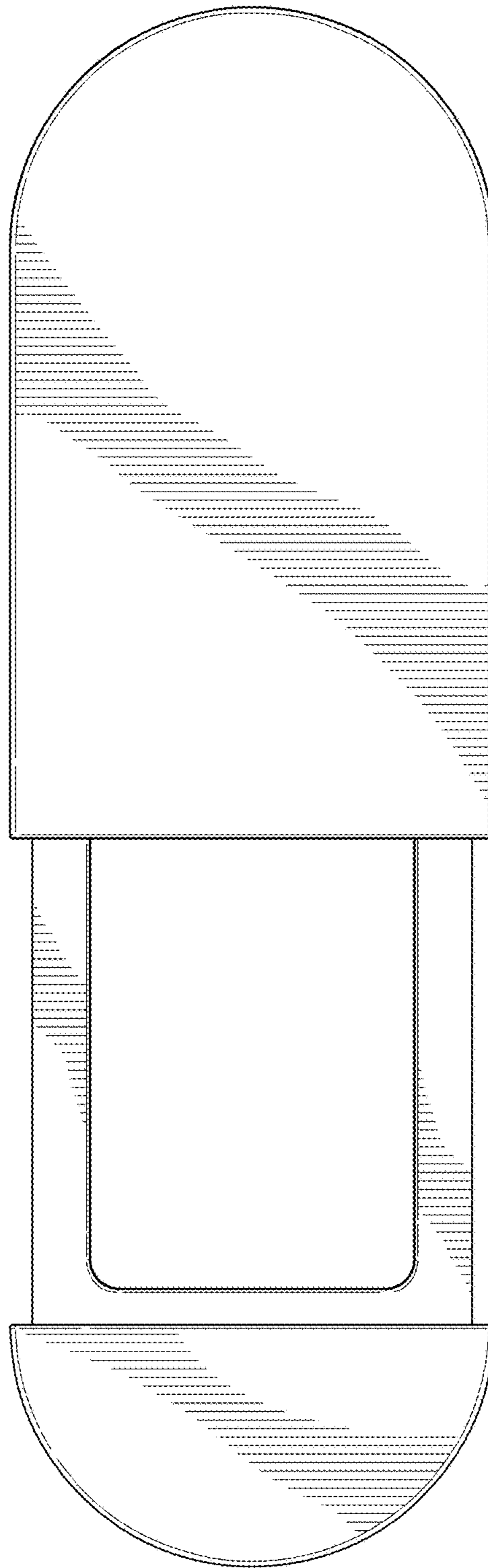


FIG. 11

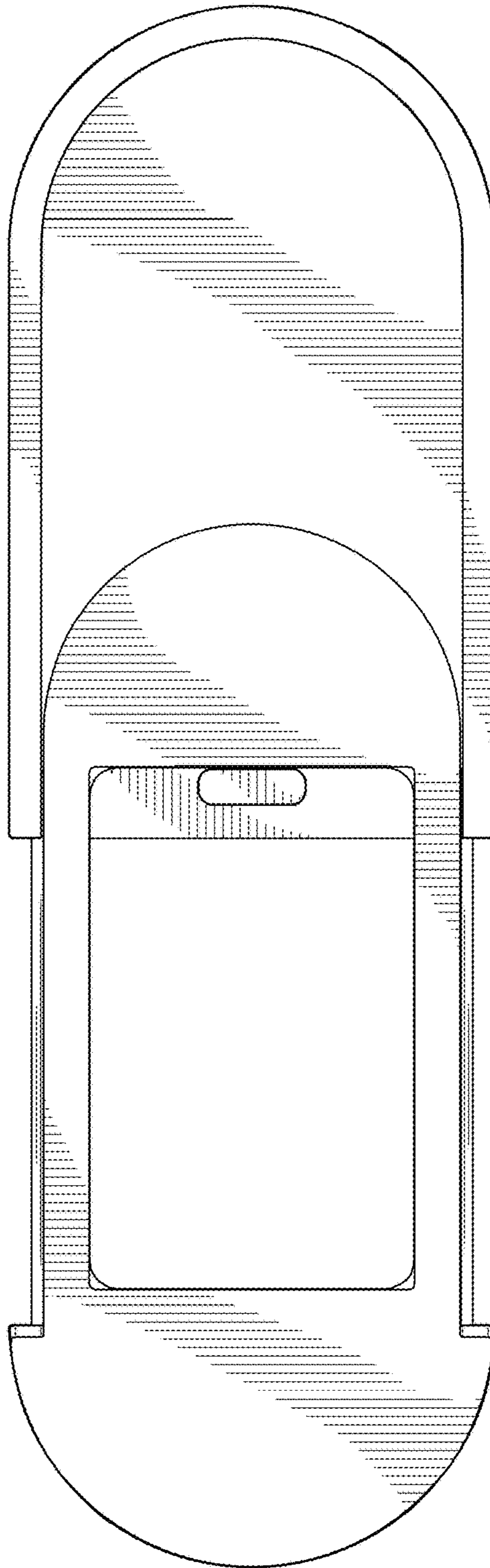


FIG. 12

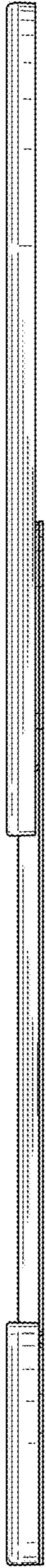


FIG. 13

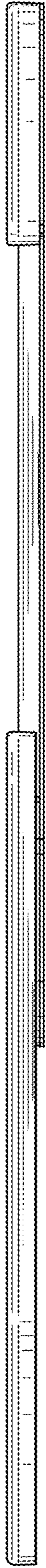


FIG. 14

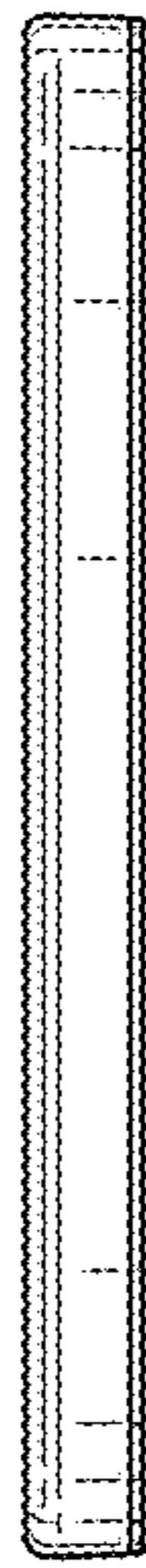


FIG. 15



FIG. 16

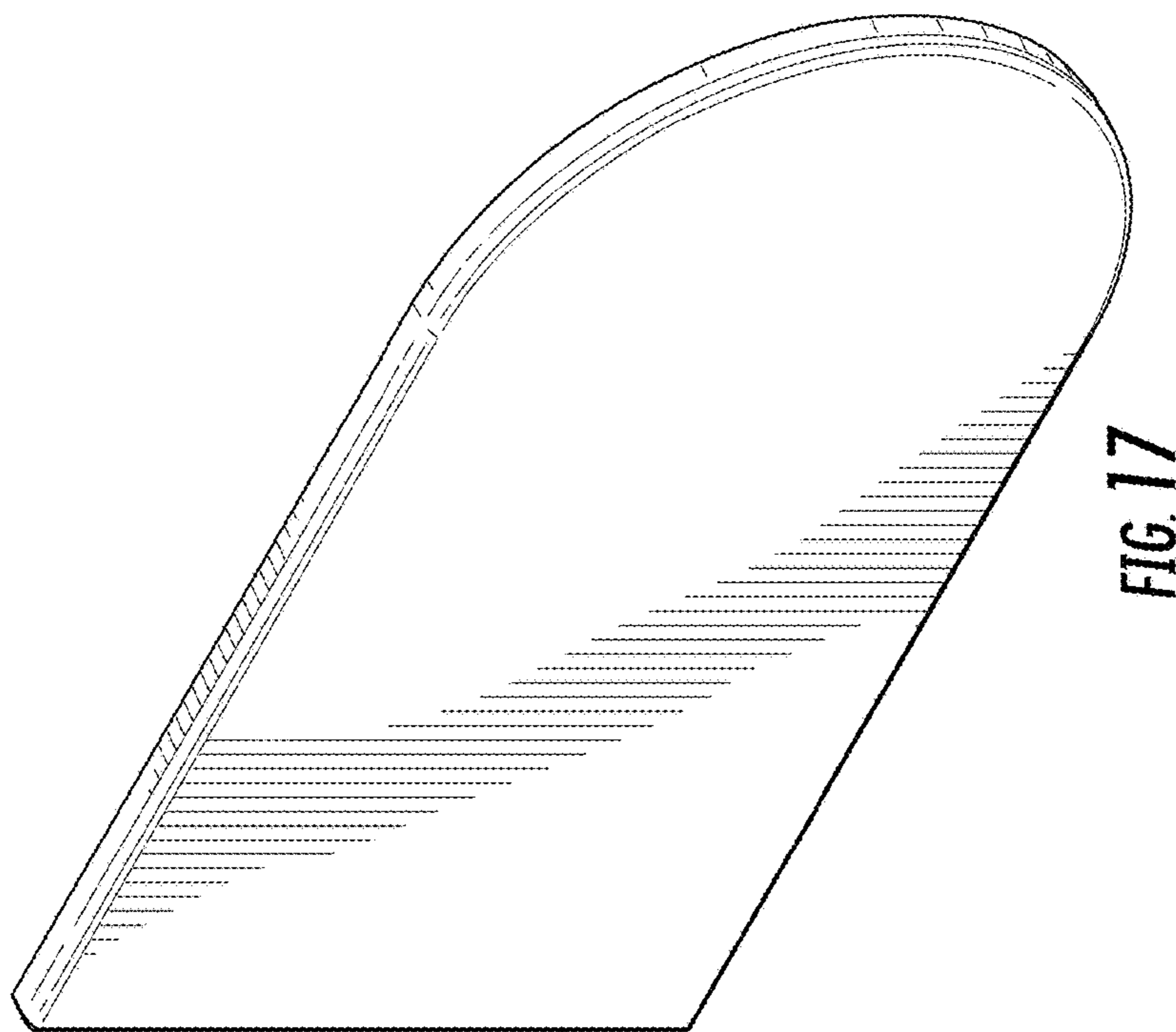


FIG. 17

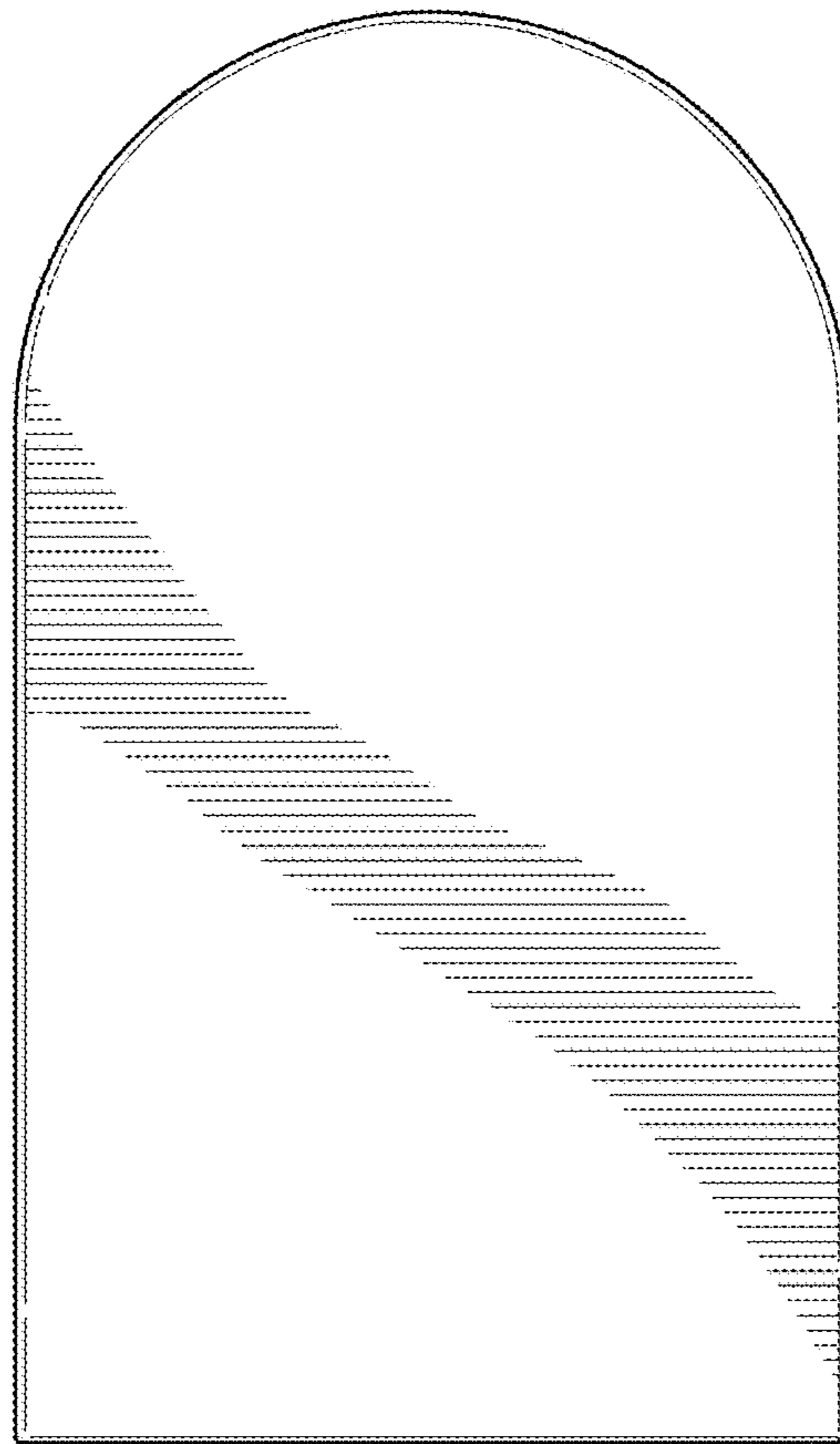


FIG. 18

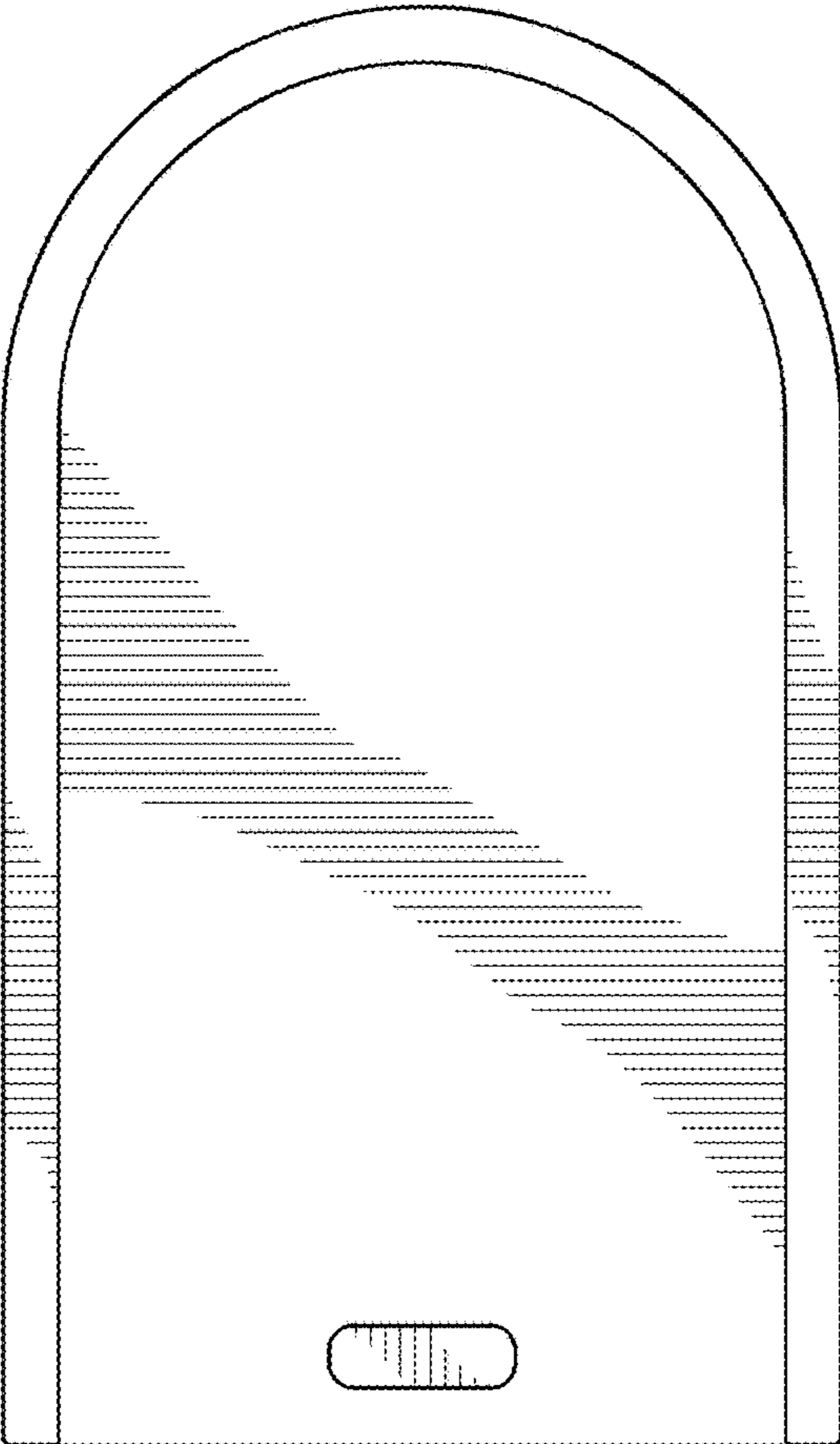


FIG. 19

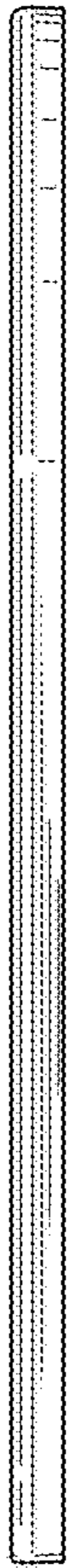


FIG. 20



FIG. 21

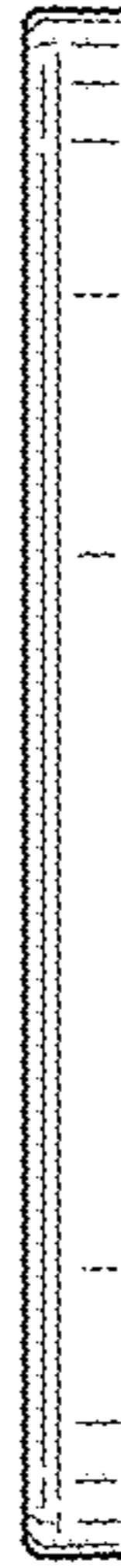
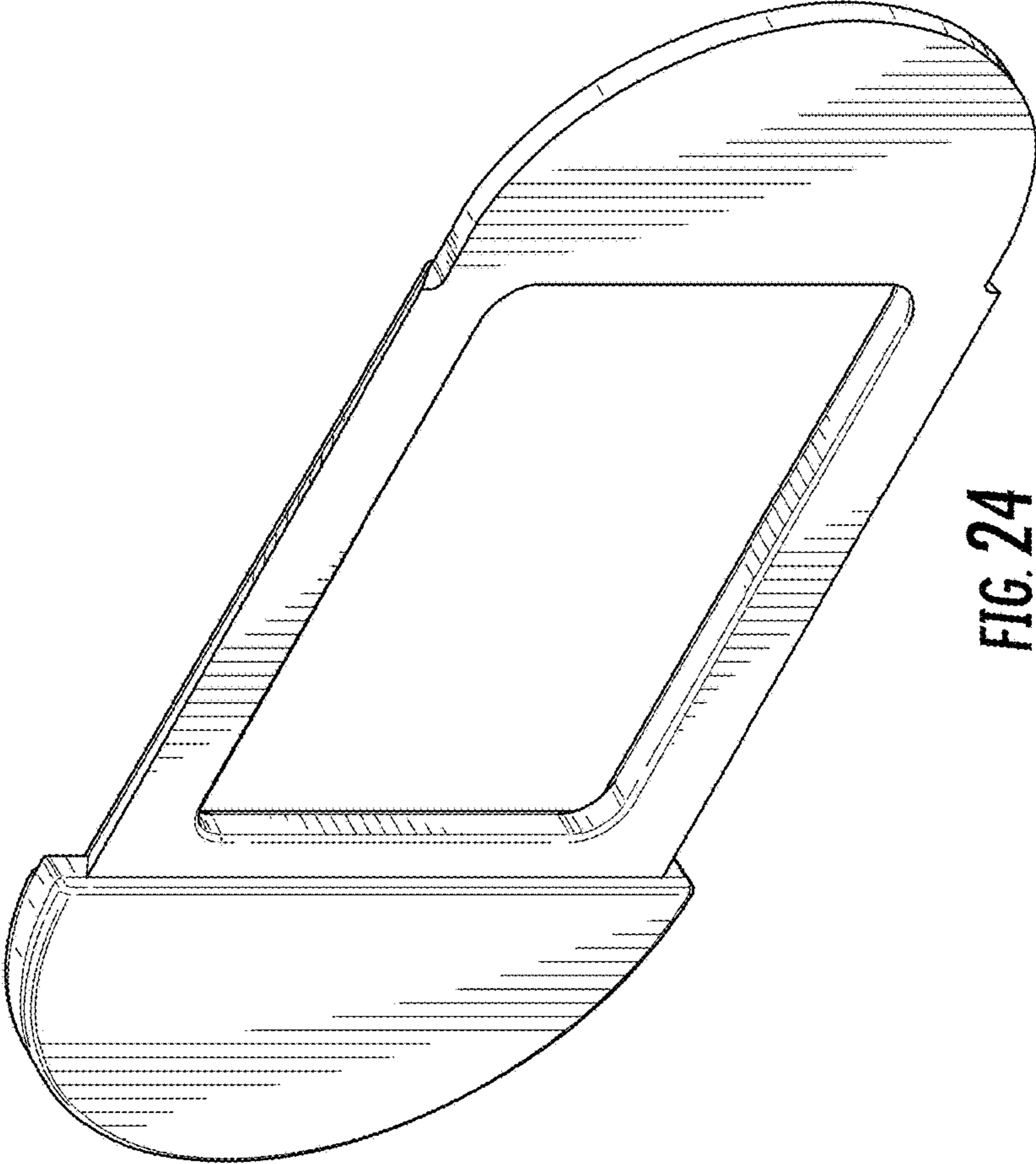


FIG. 22



FIG. 23



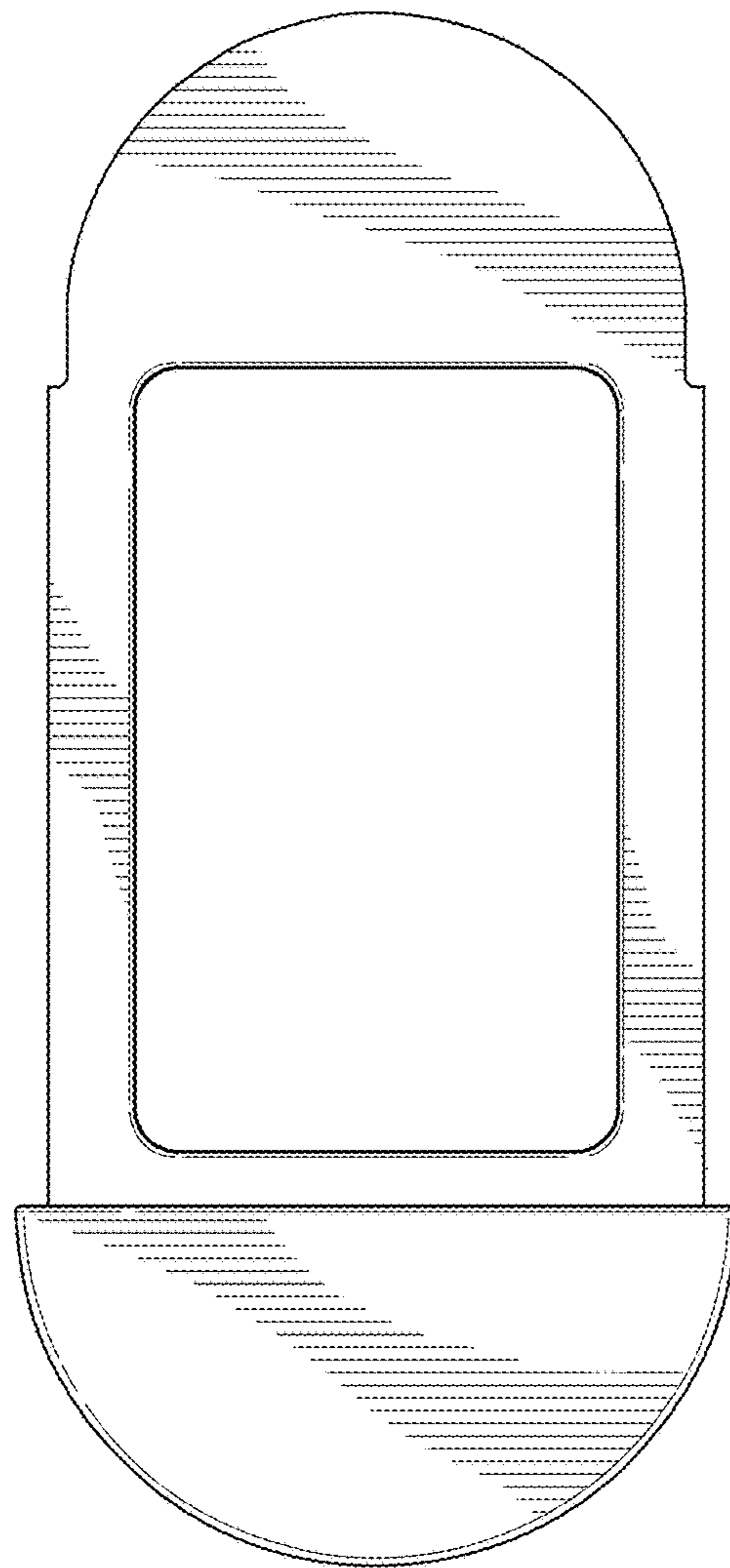


FIG. 25

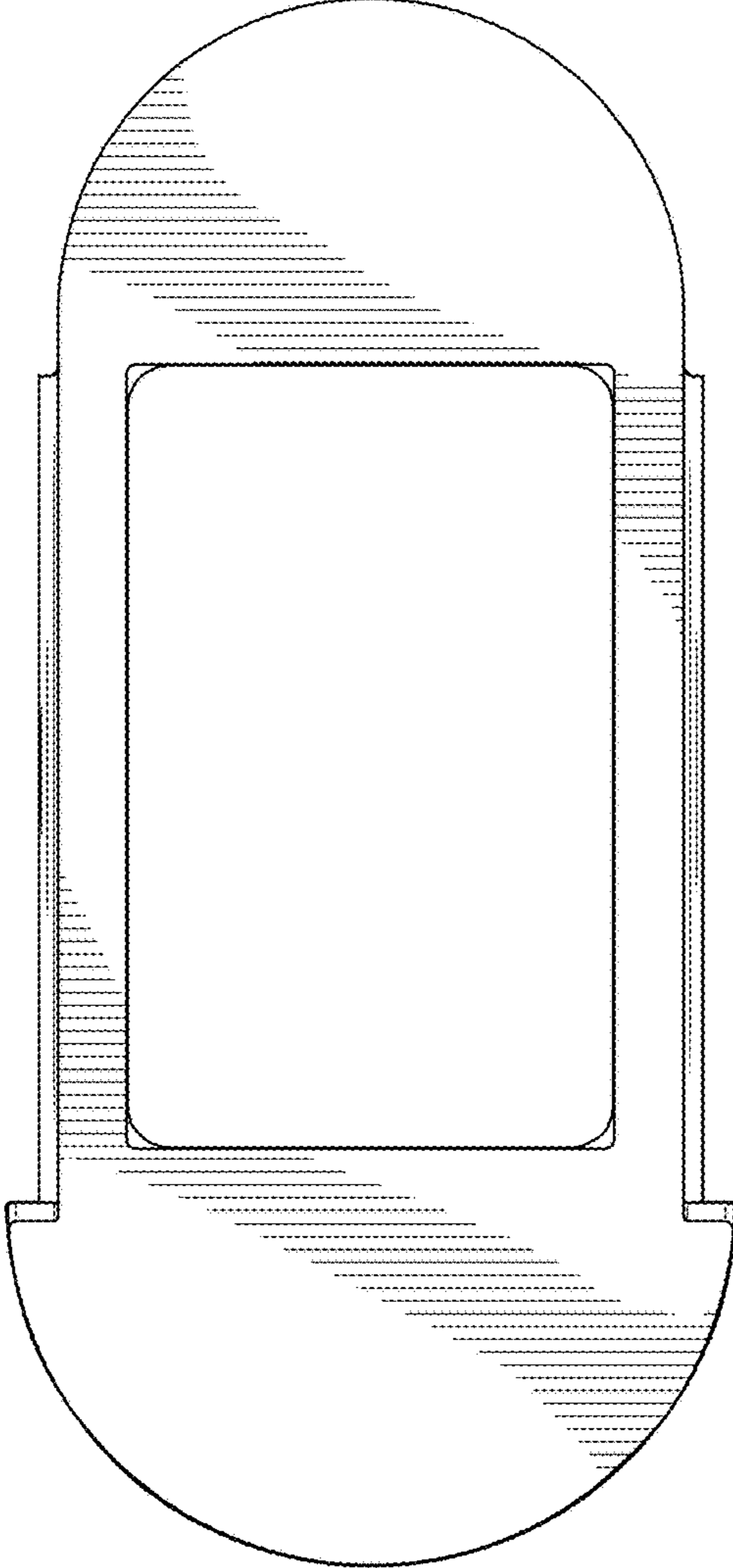


FIG. 26



FIG. 27

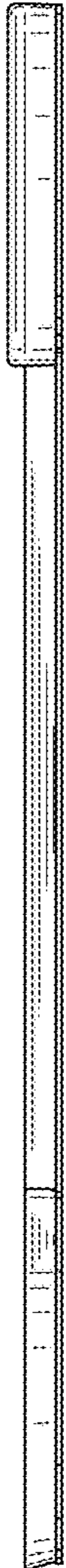


FIG. 28

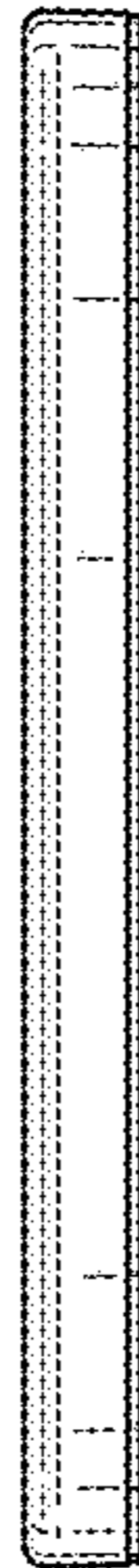


FIG. 29



FIG. 30