

US00D839944S

(12) **United States Design Patent**  
**Petty et al.**

(10) **Patent No.:** **US D839,944 S**

(45) **Date of Patent:** **\*\* Feb. 5, 2019**

(54) **CAMERA**

(71) Applicant: **Blackmagic Design Pty Ltd**, Port Melbourne, Victoria (AU)

(72) Inventors: **Grant Petty**, Victoria (AU); **Simon Kidd**, Victoria (AU); **Shannon Smith**, Victoria (AU); **John Vanzella**, Victoria (AU); **Michael Cornish**, Victoria (AU)

(73) Assignee: **Blackmagic Design Pty Ltd** (AU)

(\*\*) Term: **15 Years**

(21) Appl. No.: **29/541,854**

(22) Filed: **Oct. 8, 2015**

(30) **Foreign Application Priority Data**

Apr. 8, 2015 (EM) ..... 002677427-0001  
Apr. 8, 2015 (EM) ..... 002677427-0002  
Apr. 8, 2015 (EM) ..... 002677427-0003  
Apr. 8, 2015 (EM) ..... 002677427-0004

(51) **LOC (11) Cl.** ..... **16-01**

(52) **U.S. Cl.**  
USPC ..... **D16/218**

(58) **Field of Classification Search**

USPC ..... D16/200, 202–206, 208, 218, 219, 242;  
348/373–376; 396/529–532, 535,  
396/539–541  
CPC ..... G03B 17/02; G03B 19/04; G03B 17/56;  
G03B 17/04; G03B 15/03; G03B 17/14;  
H04N 5/2251; H04N 5/2252; H04N  
5/2253; H04N 5/2254; G02B 7/02; G02B  
7/04; G02B 7/14

See application file for complete search history.

(56) **References Cited**

**U.S. PATENT DOCUMENTS**

D312,649 S \* 12/1990 Sakuta ..... D16/202  
D460,773 S \* 7/2002 Arbuckle ..... D16/203

D551,275 S \* 9/2007 Kim ..... D16/202  
D616,480 S \* 5/2010 Ookawa ..... D16/218  
D668,282 S \* 10/2012 Ohno ..... D16/203  
D694,797 S \* 12/2013 Parker ..... D16/202  
D733,784 S \* 7/2015 Yamashita ..... D16/218  
2011/0298925 A1\* 12/2011 Inoue ..... H04N 5/2251  
348/148

(Continued)

*Primary Examiner* — Philip S Hyder

*Assistant Examiner* — Ramzi S Almatrahi

(74) *Attorney, Agent, or Firm* — Saidman DesignLaw Group, LLC

(57) **CLAIM**

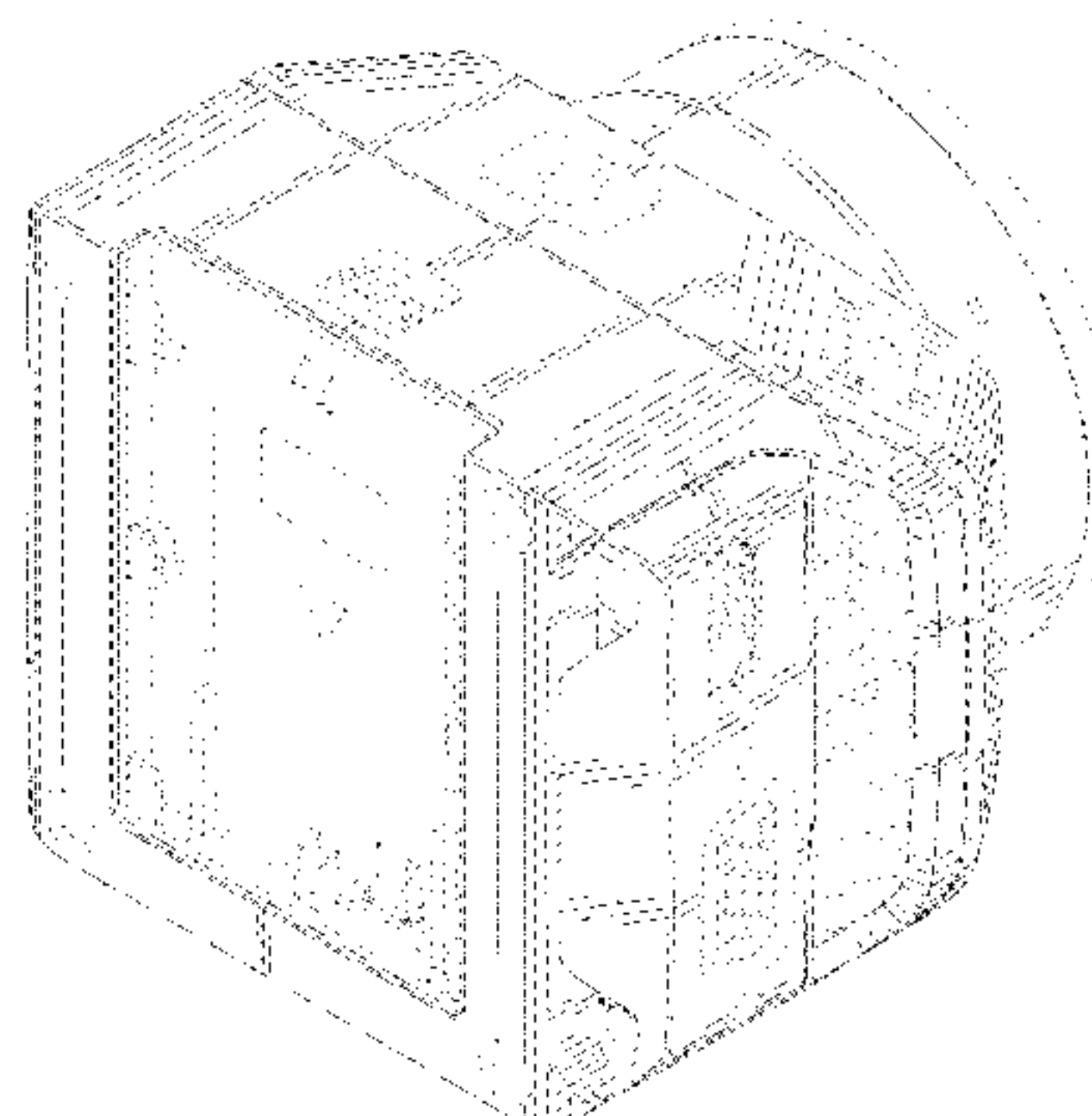
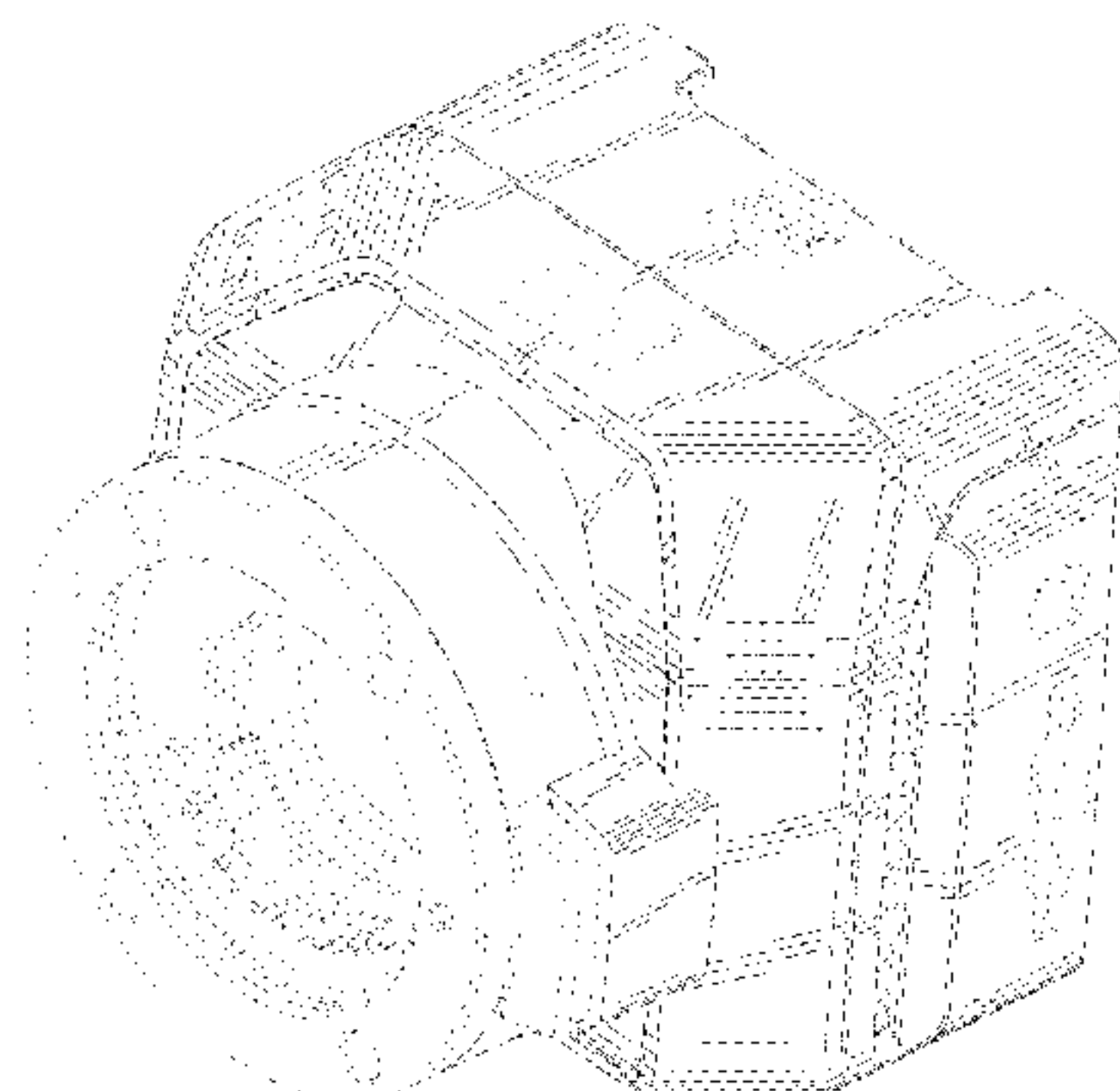
The ornamental design for a camera, as shown and described.

**DESCRIPTION**

FIG. 1 is a front perspective view of a first embodiment of a camera showing our new design;  
FIG. 2 is a rear perspective view thereof;  
FIG. 3 is a front view thereof;  
FIG. 4 is a rear view thereof;  
FIG. 5 is a top view thereof;  
FIG. 6 is a right side view thereof;  
FIG. 7 is a left side view thereof;  
FIG. 8 is a bottom view thereof;  
FIG. 9 is a front perspective view of a second embodiment of a camera showing our new design;  
FIG. 10 is a rear perspective view thereof.  
FIG. 11 is a front view thereof.  
FIG. 12 is a rear view thereof.  
FIG. 13 is a top view thereof.  
FIG. 14 is a right side view thereof.  
FIG. 15 is a left side view thereof; and,  
FIG. 16 is a bottom view thereof.

The broken lines depict portions of the camera in which the design is embodied that form no part of the claimed design.

**1 Claim, 16 Drawing Sheets**



(56)

**References Cited**

U.S. PATENT DOCUMENTS

2013/0107110 A1\* 5/2013 Park ..... H04N 5/2252  
348/373  
2014/0300742 A1\* 10/2014 Han ..... B60R 11/04  
348/148

\* cited by examiner

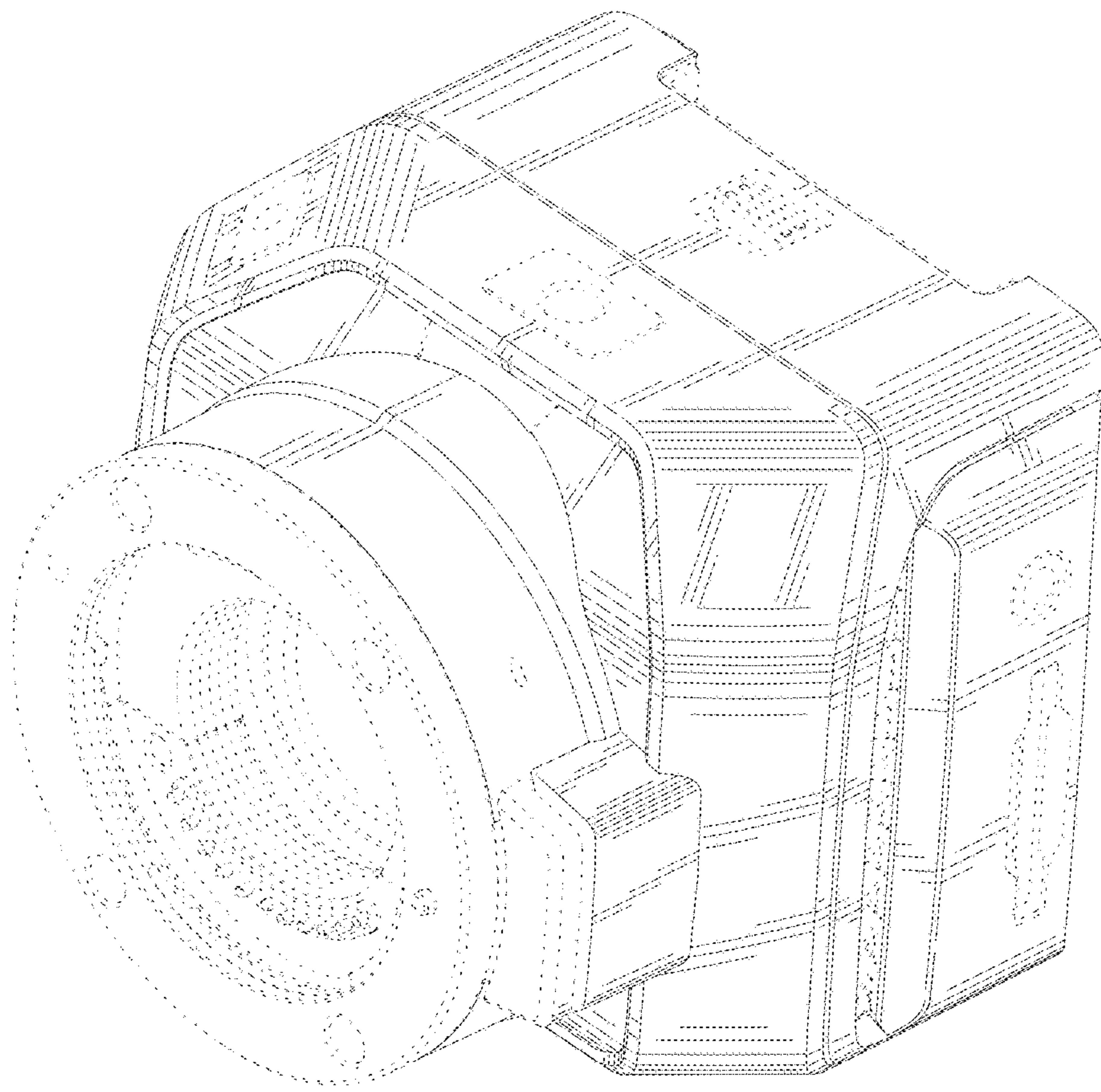


FIG. 1

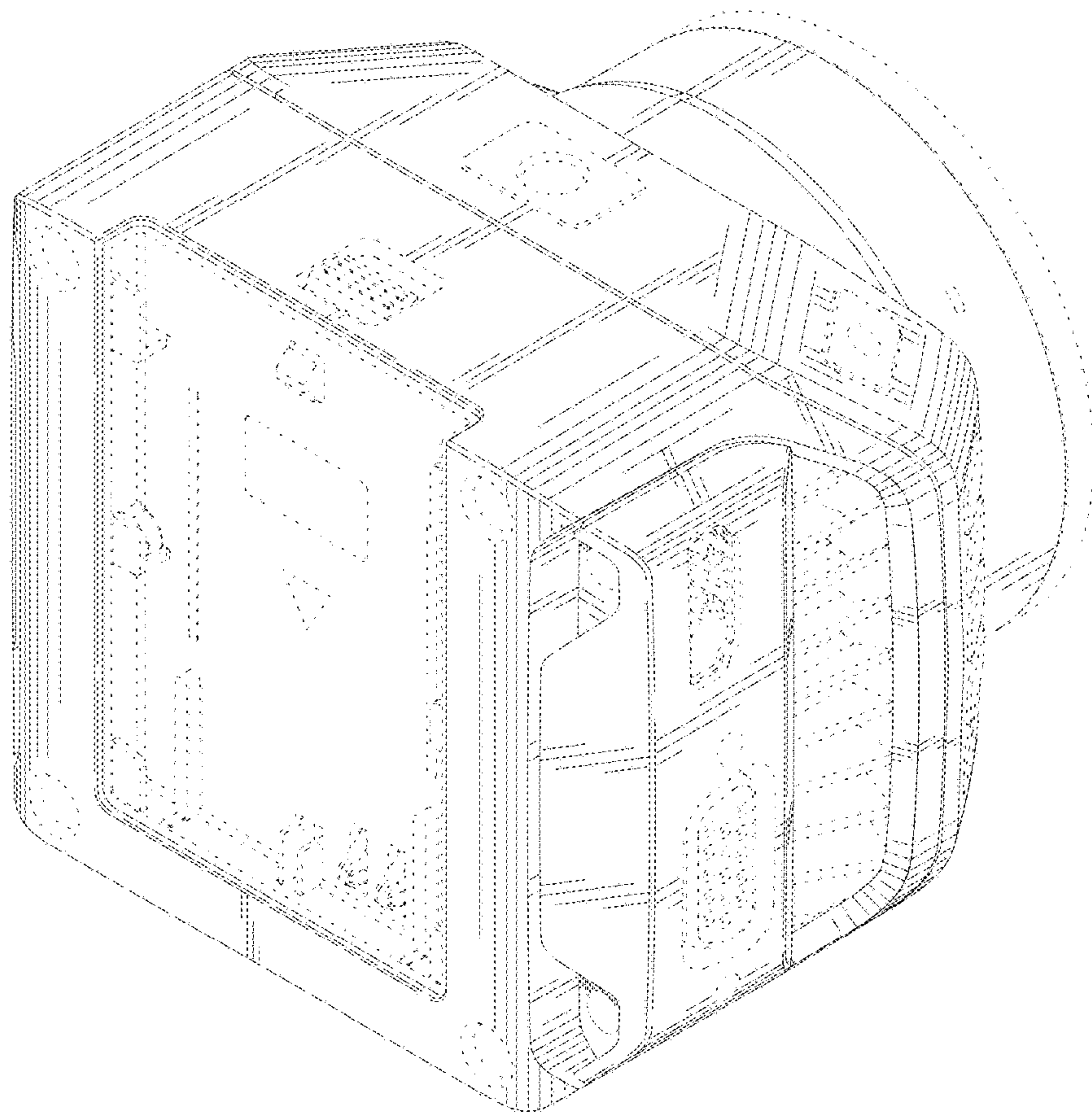


FIG. 2



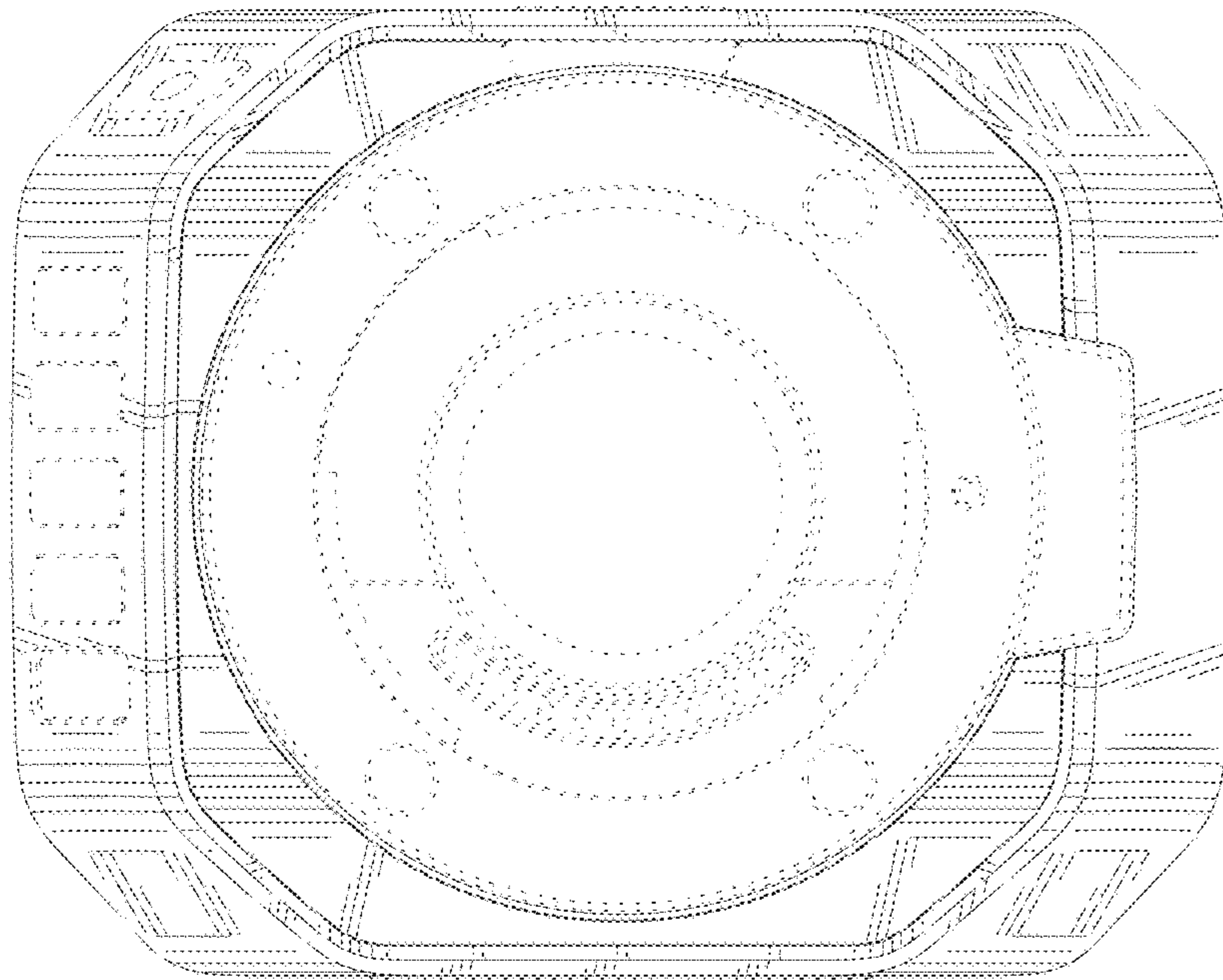


FIG. 3

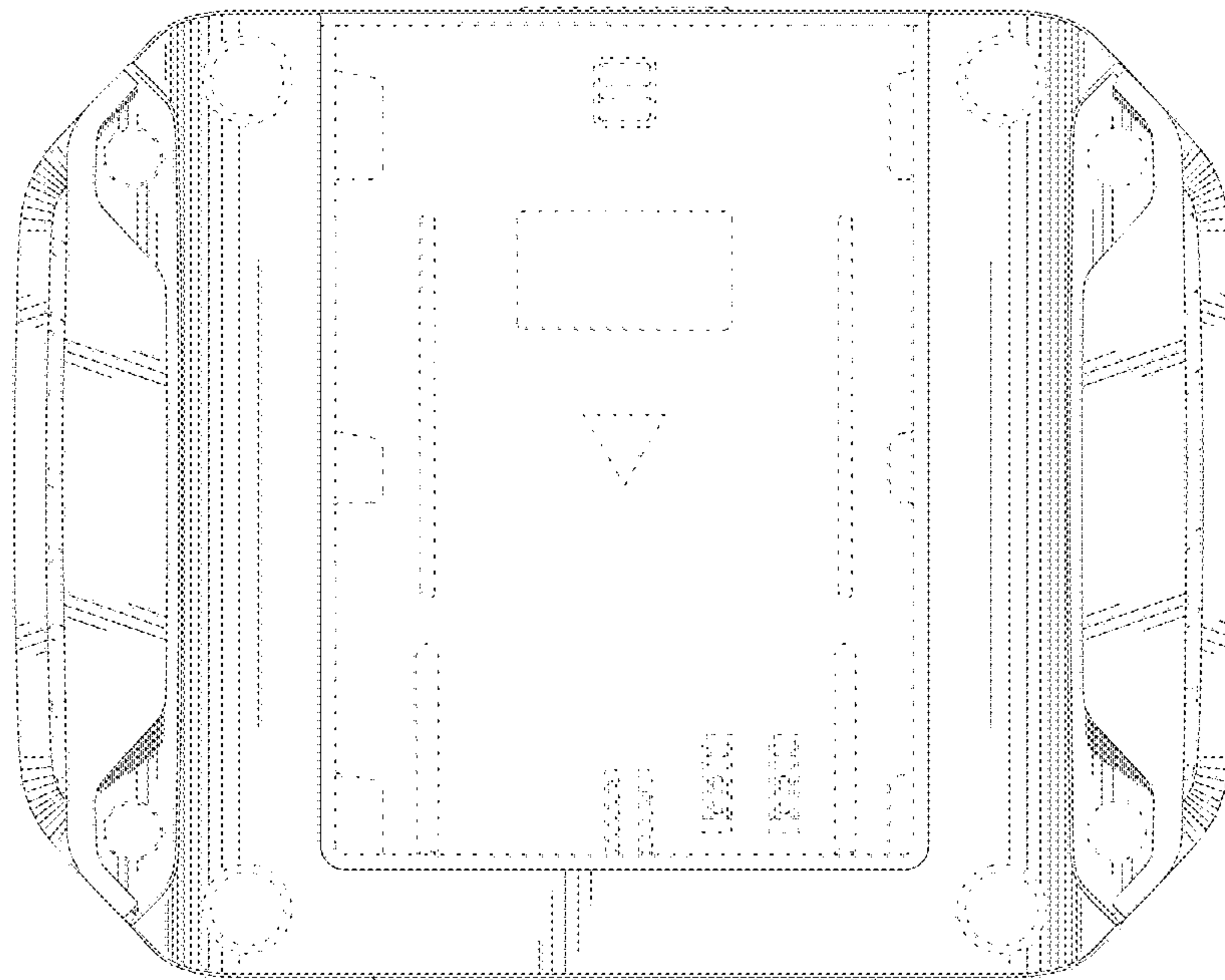


FIG. 4

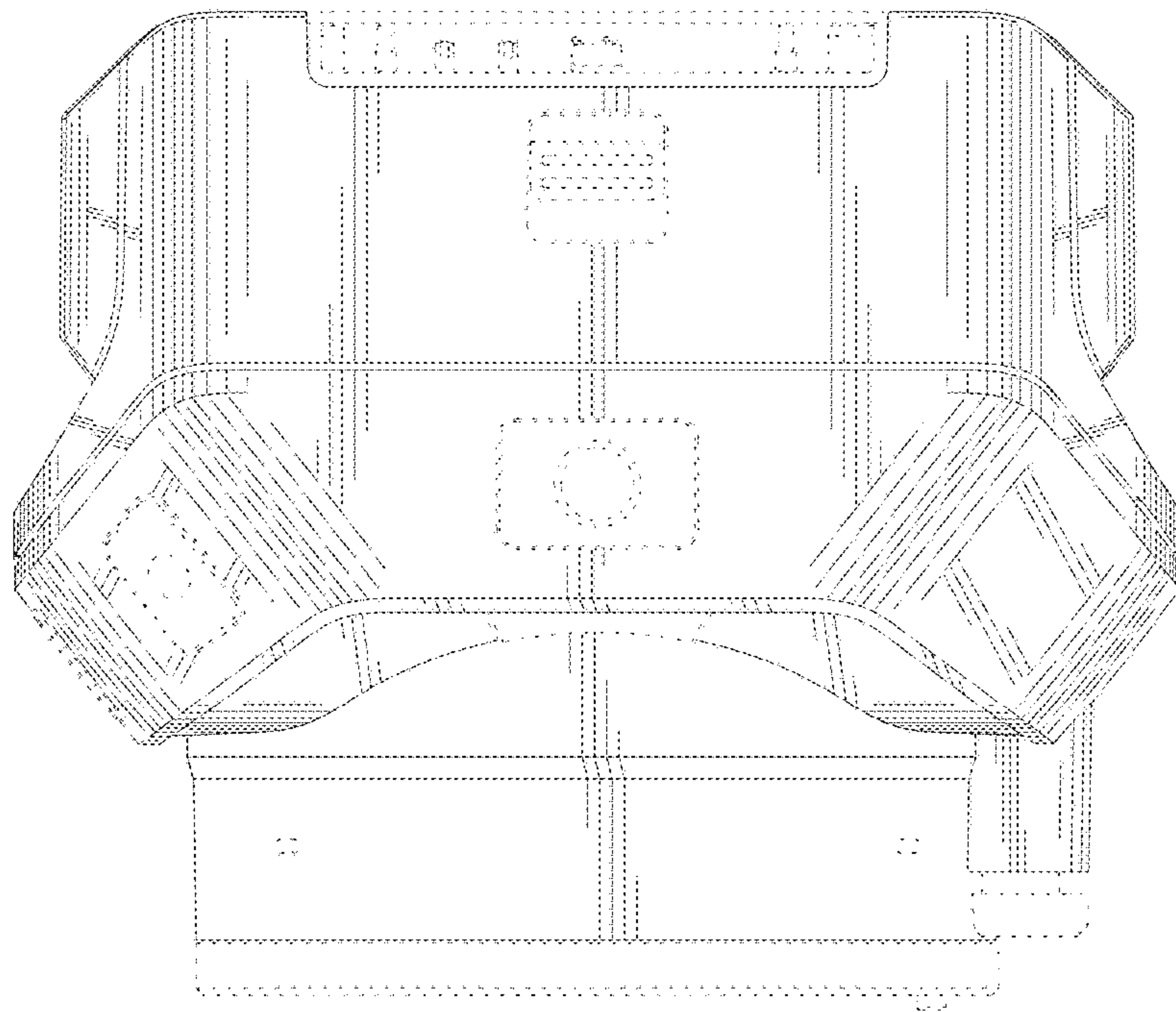


FIG. 5

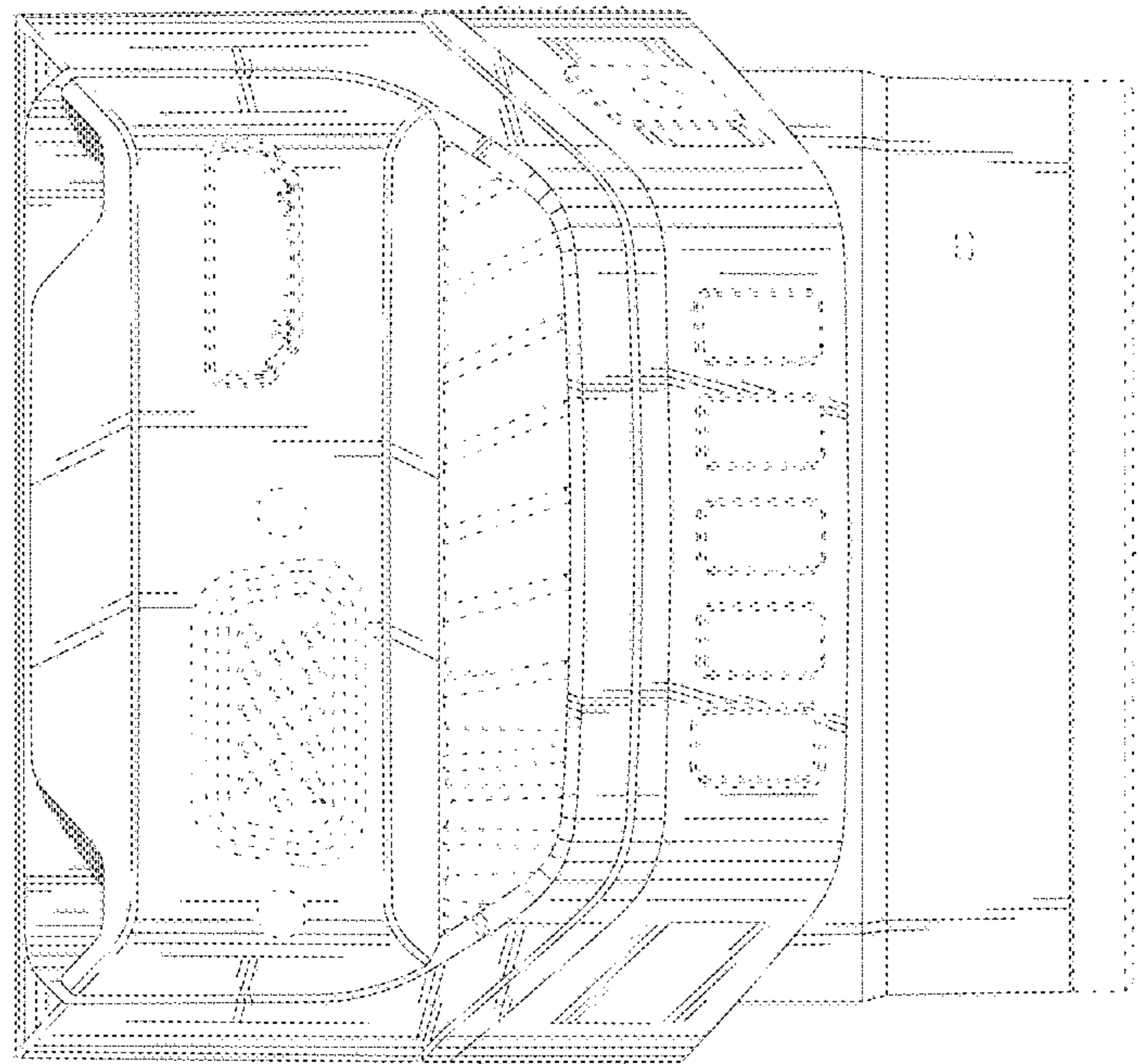


FIG. 6



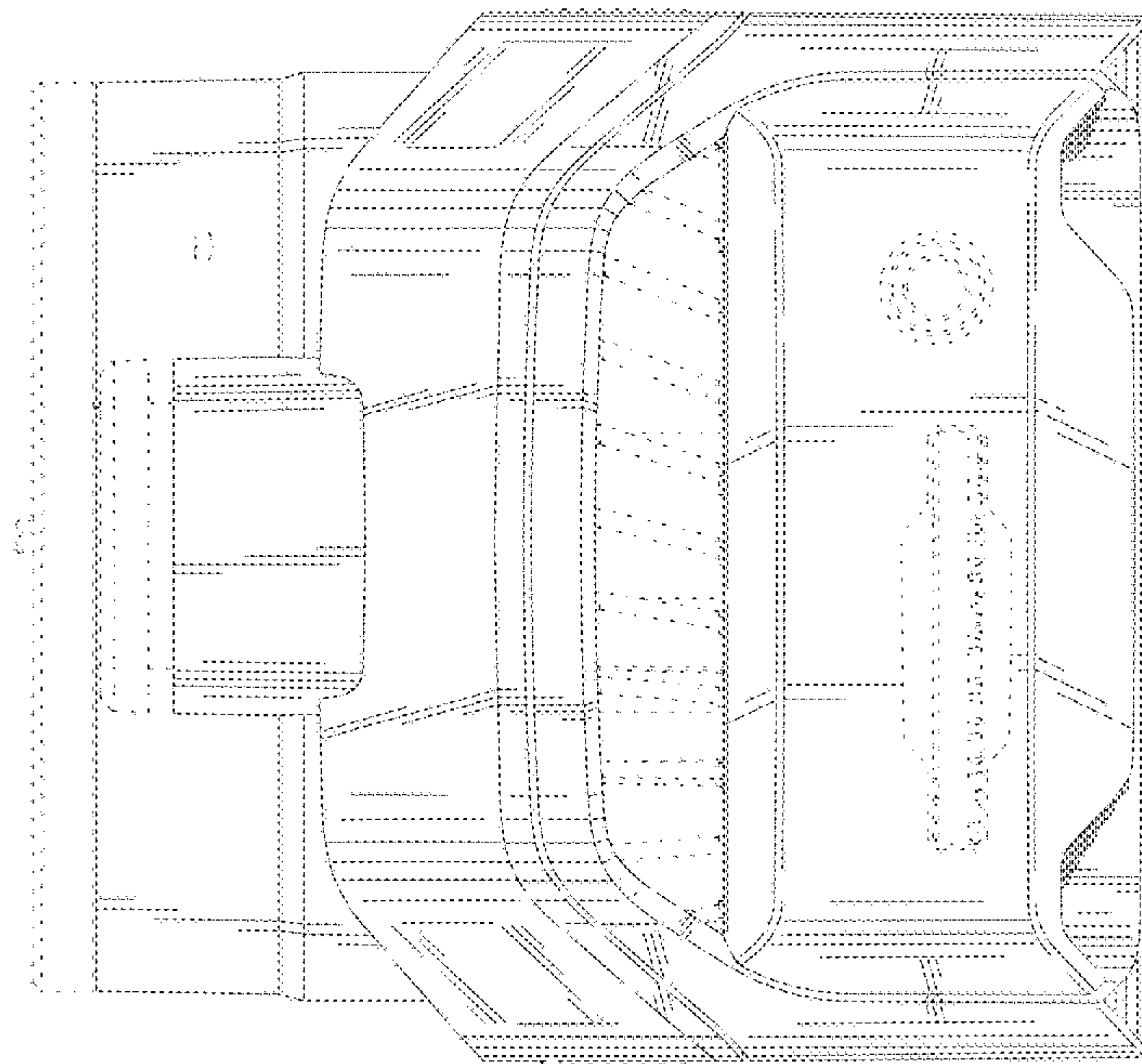


FIG. 7

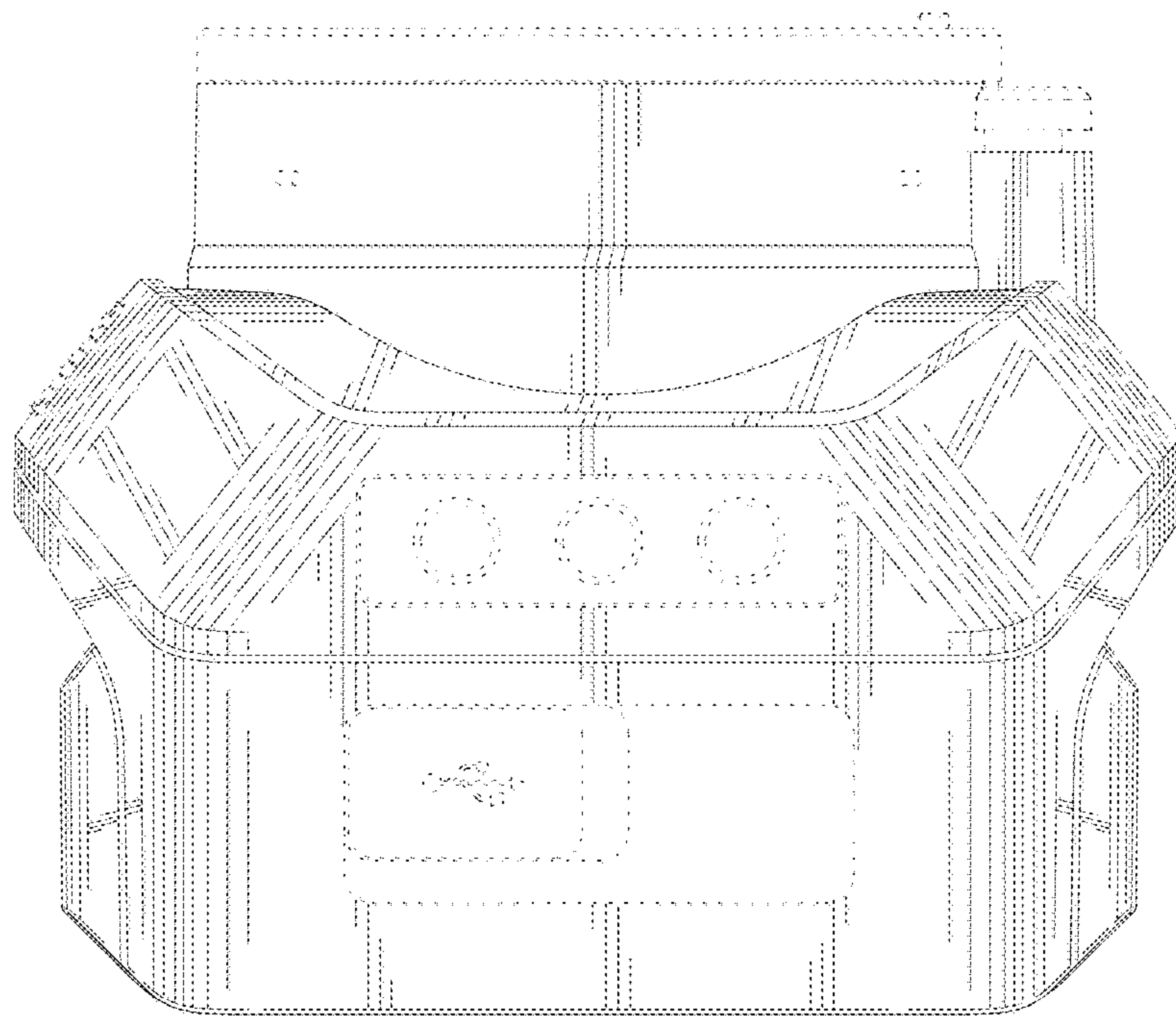


FIG. 8

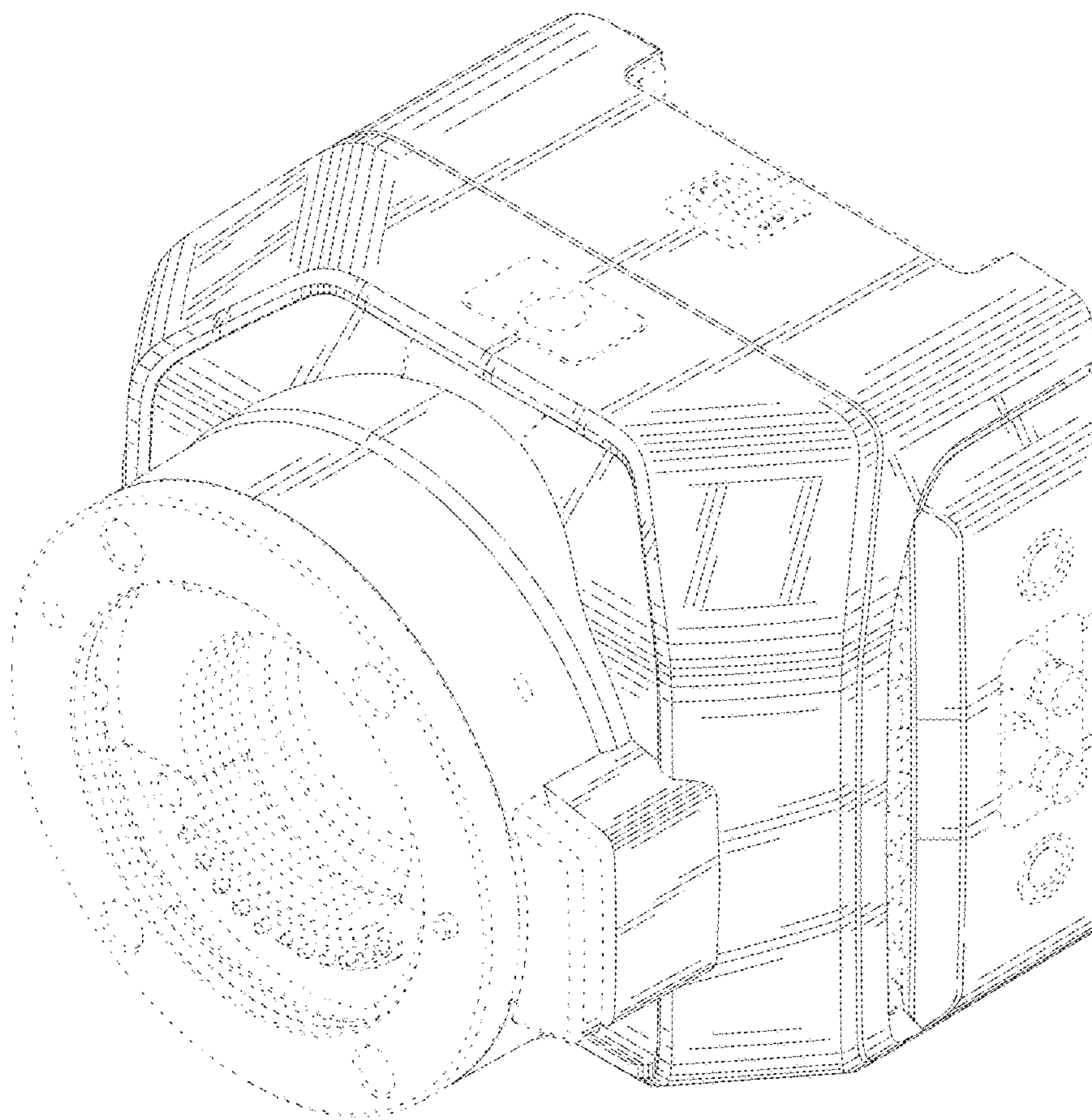


FIG. 9

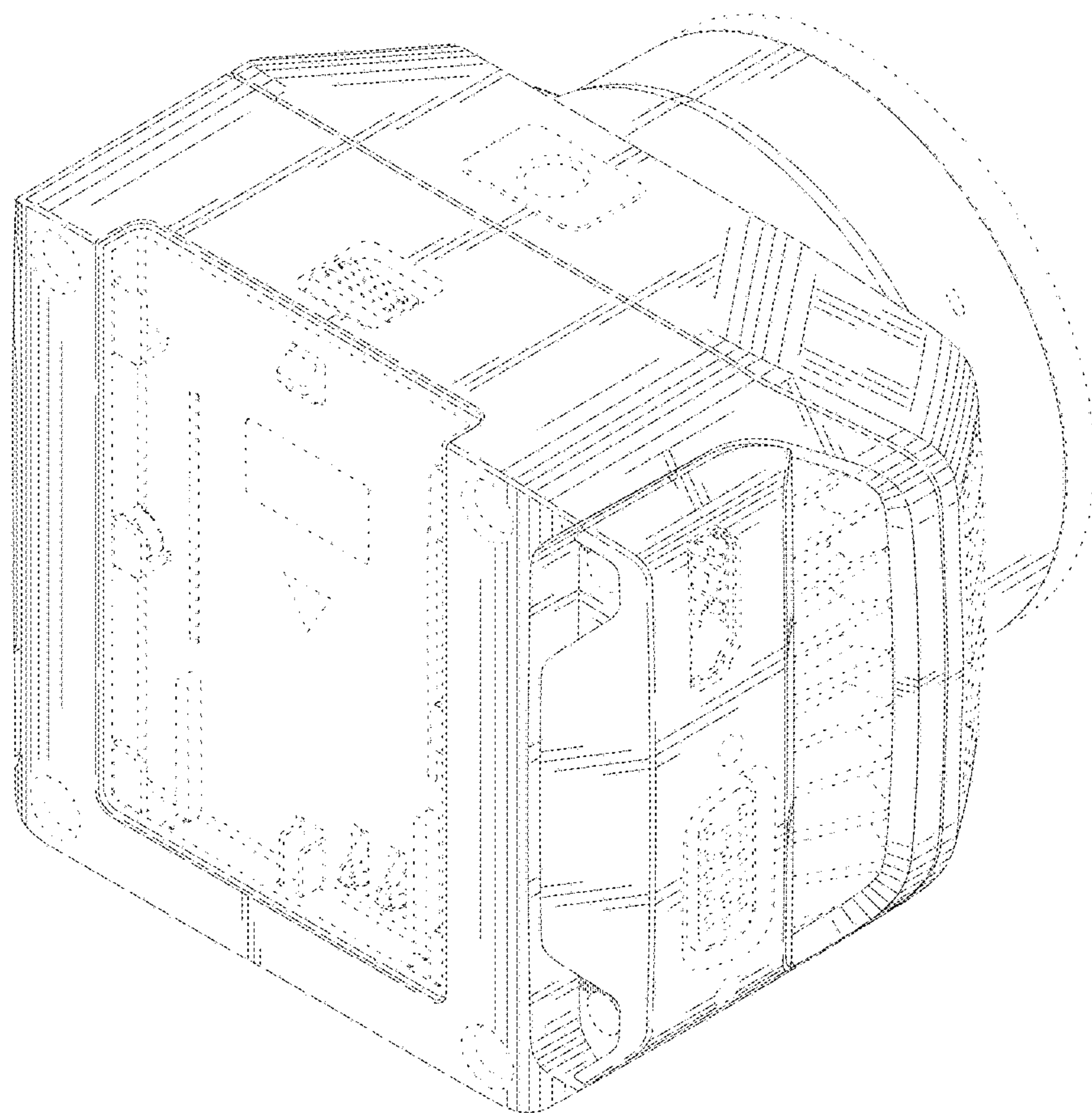


FIG. 10

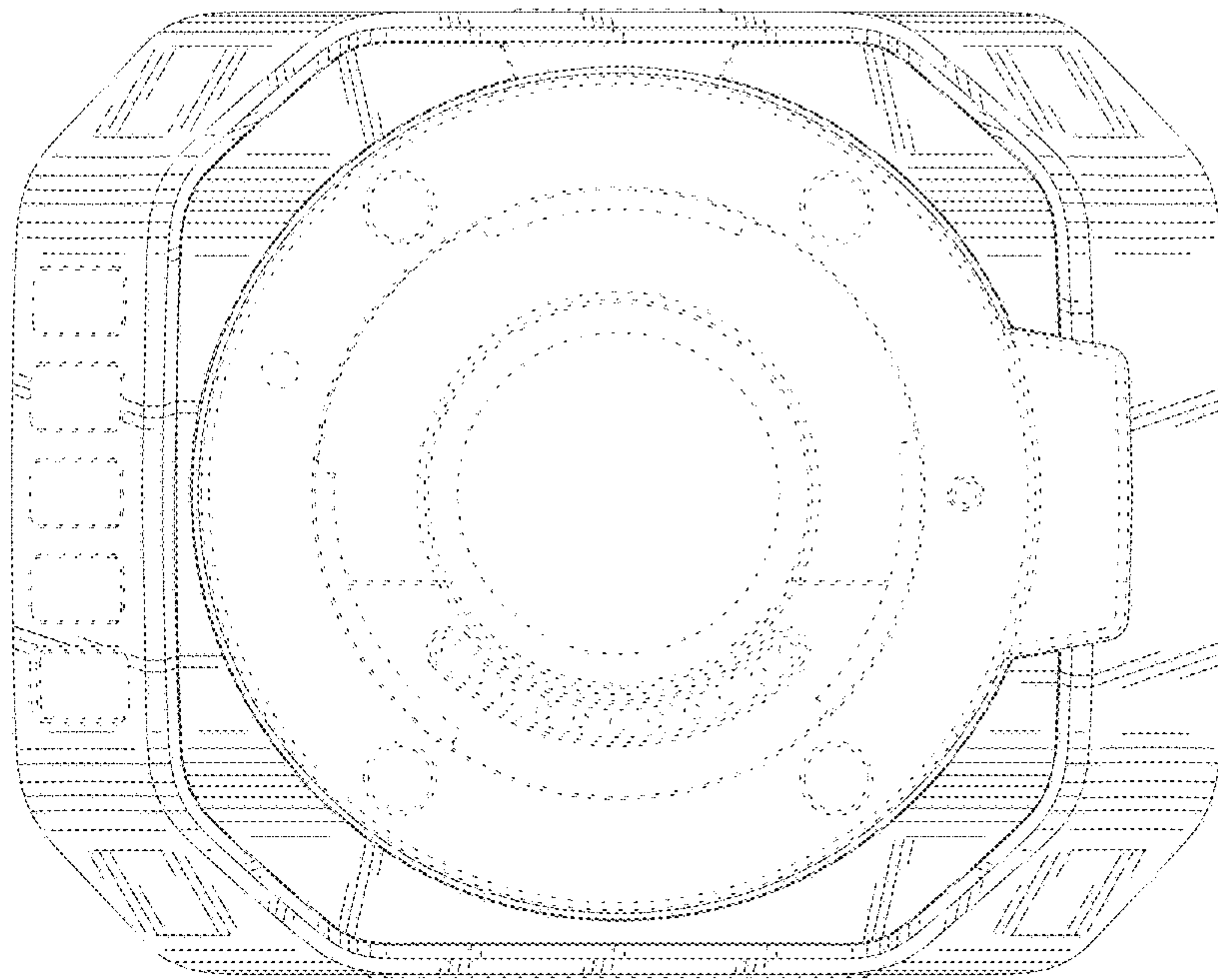


FIG. 11



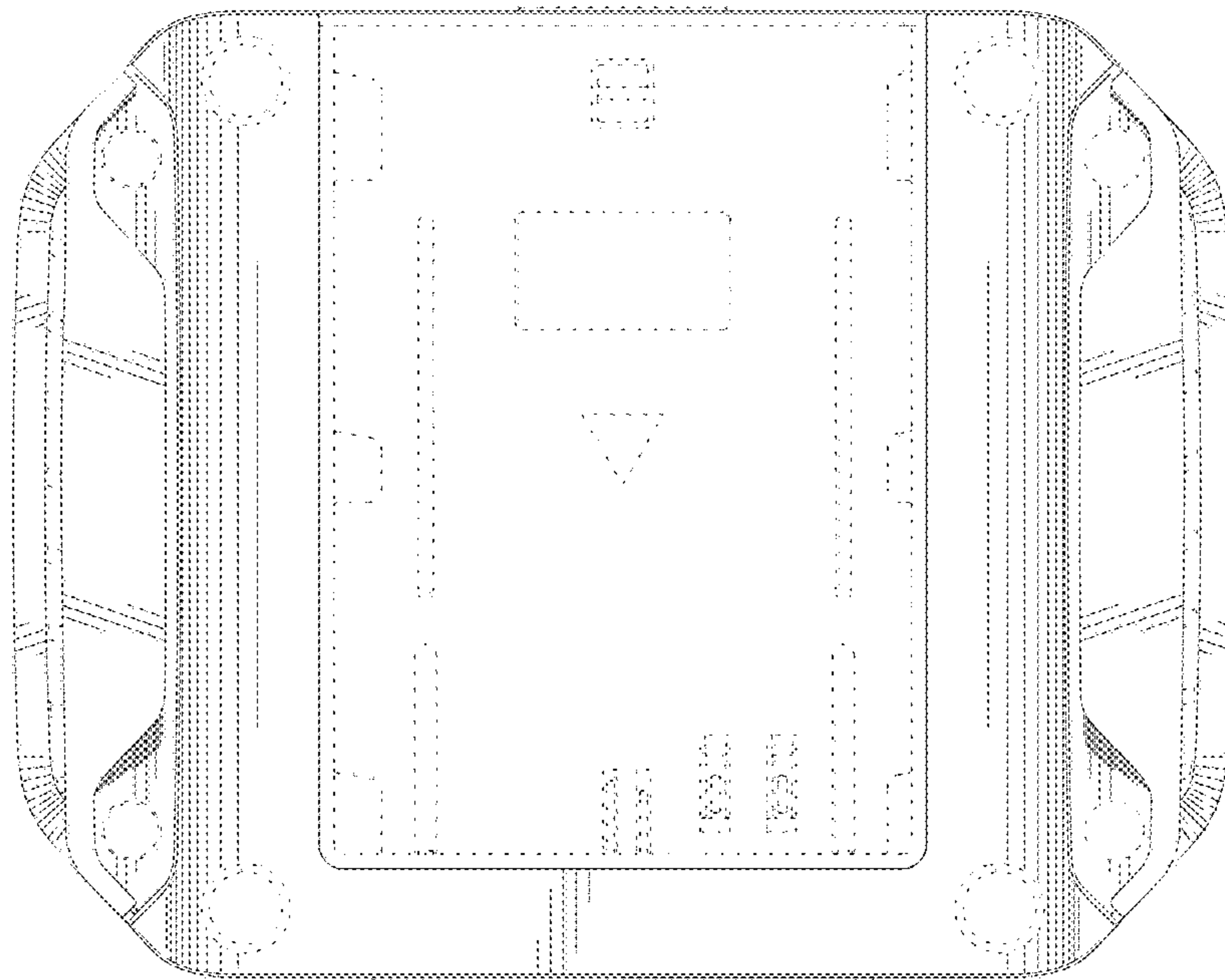


FIG. 12

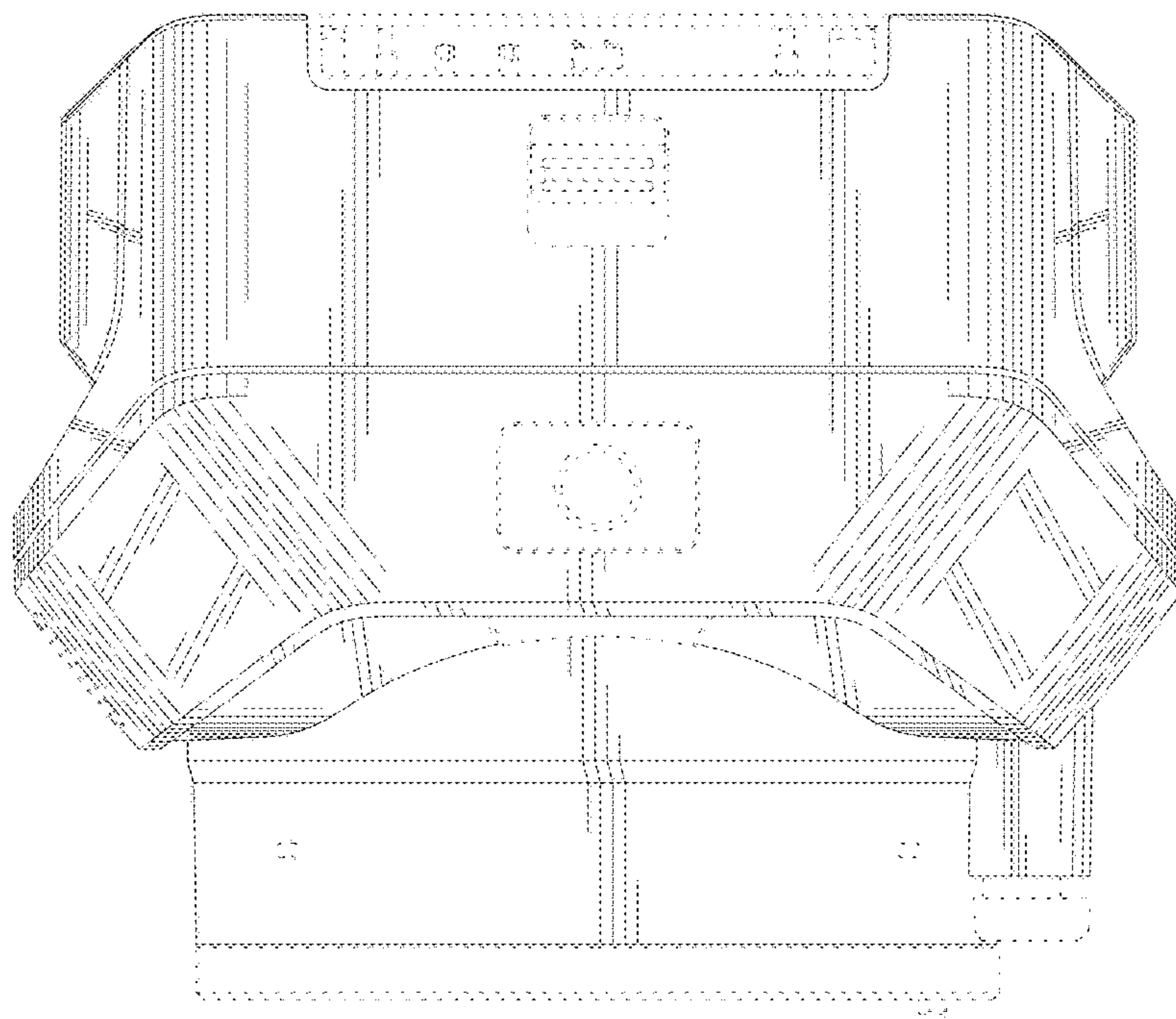


FIG. 13

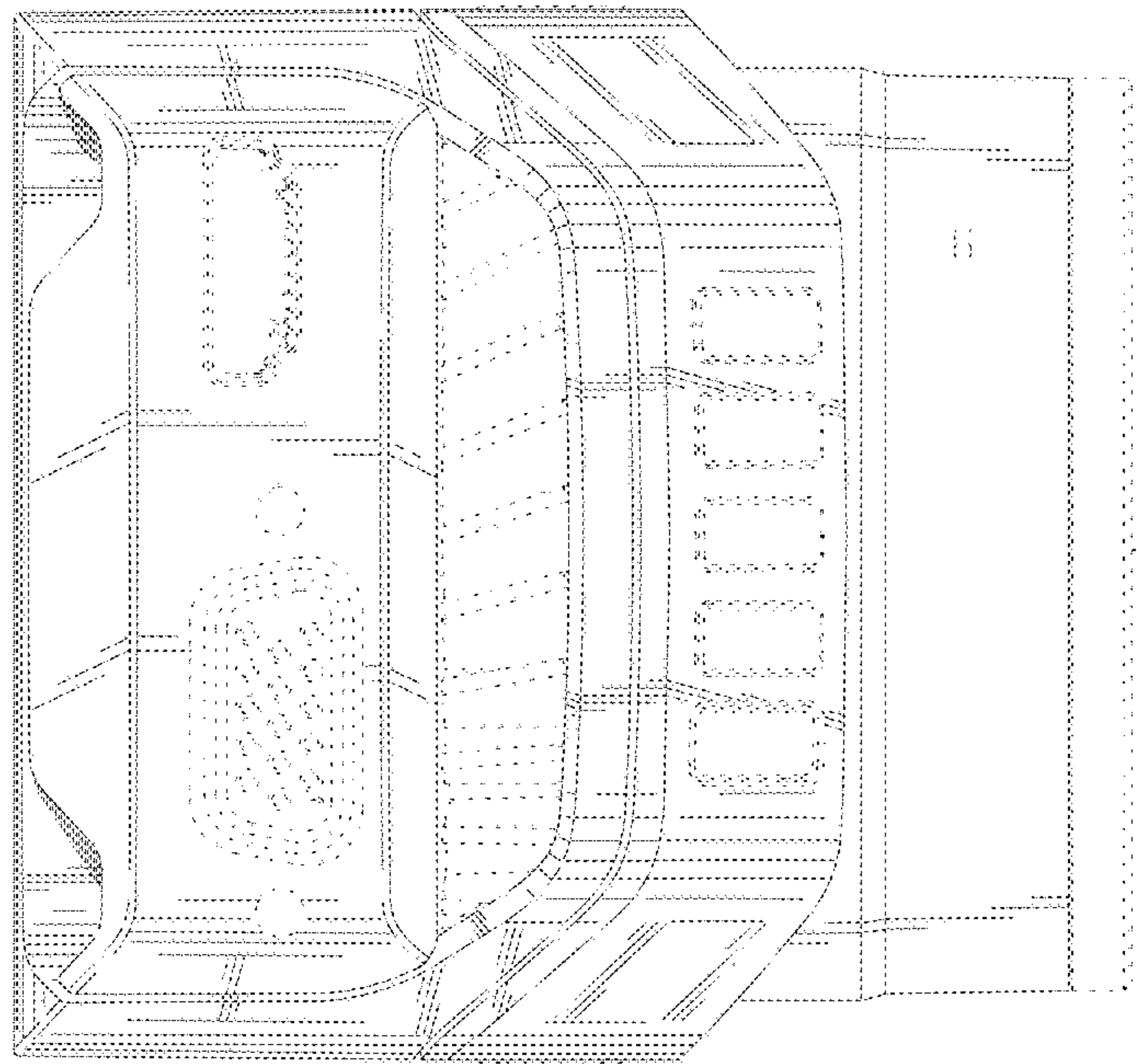


FIG. 14

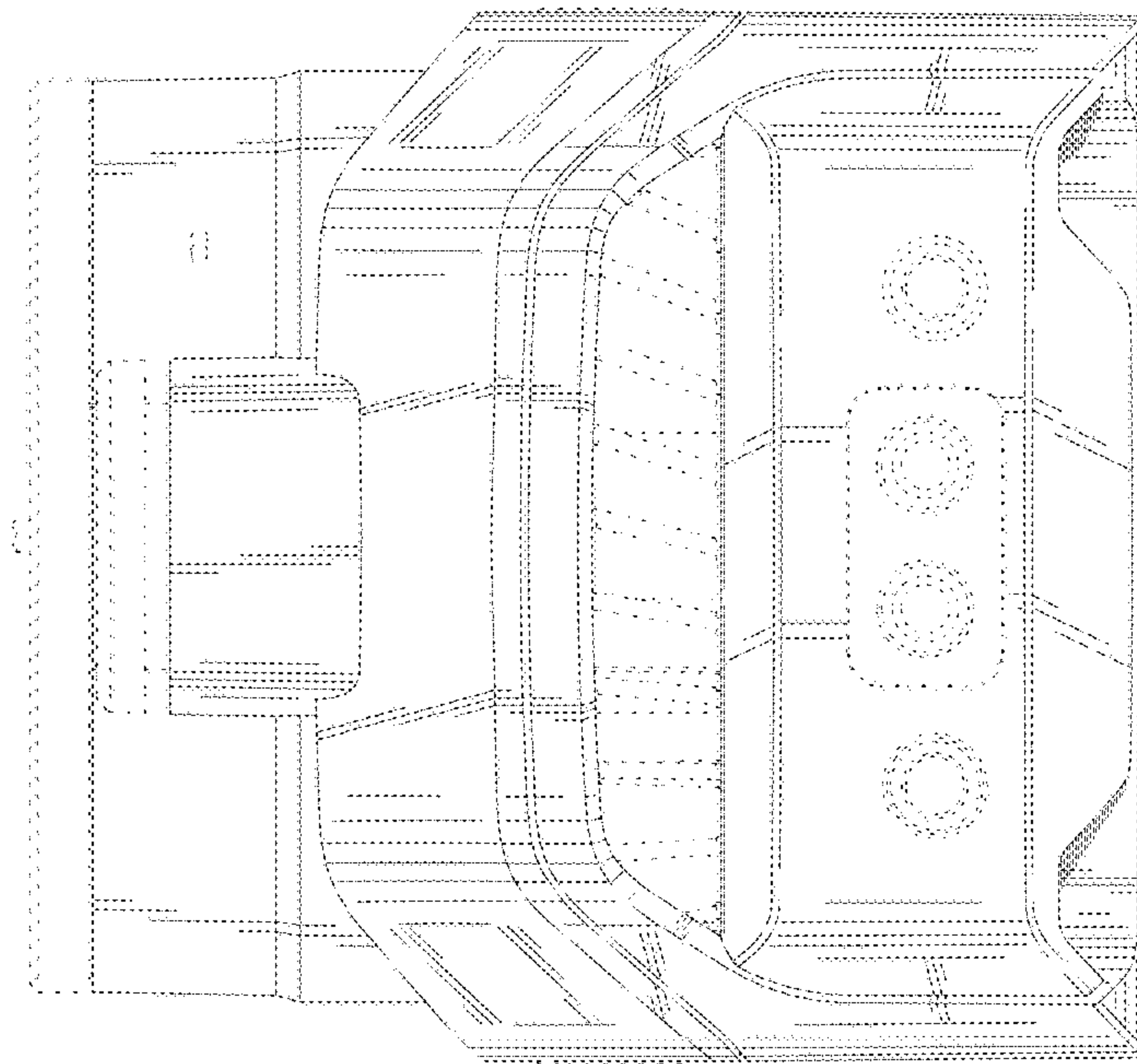


FIG. 15

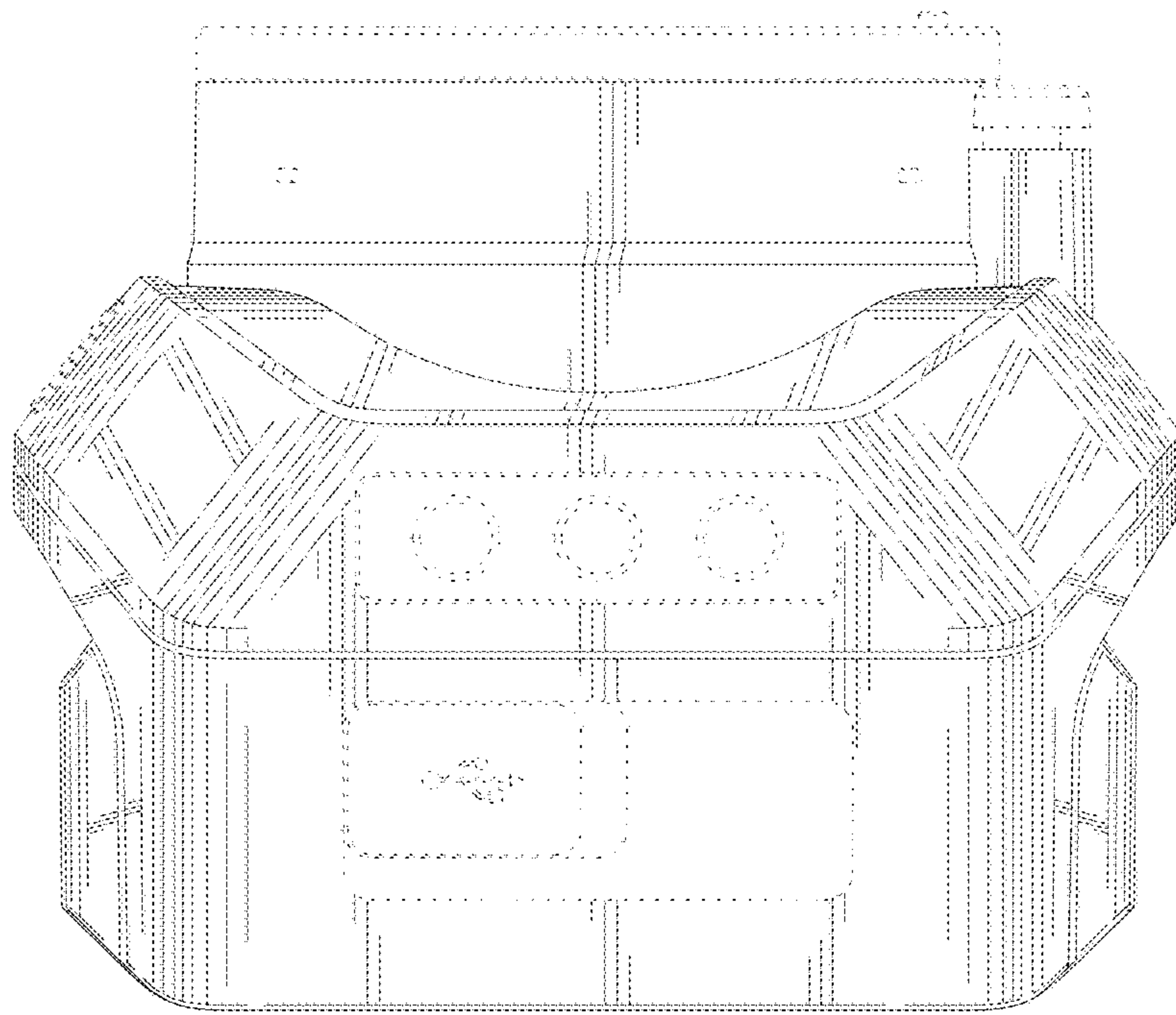


FIG. 16