



US00D839943S

(12) **United States Design Patent**
Geller et al.

(10) **Patent No.:** **US D839,943 S**

(45) **Date of Patent:** **** Feb. 5, 2019**

(54) **DRAPE RING**
(71) Applicant: **Carl Zeiss Meditec AG**, Jena (DE)
(72) Inventors: **Nadine Geller**, Koenigsbronn (DE);
Daniel Lindner, Koenigsbronn (DE);
Frank Koenig, Aalen (DE)
(73) Assignee: **Carl Zeiss Meditec AG**, Jena (DE)
(**) Term: **15 Years**

6,026,244 A * 2/2000 Tanaka G02B 7/08
359/699
D435,586 S * 12/2000 Kunihiro D18/40
6,270,266 B1 * 8/2001 Fukuda G03B 17/14
396/529
6,876,503 B1 * 4/2005 Weaver A61B 46/10
359/510
D505,147 S * 5/2005 Koren D16/136
D649,993 S * 12/2011 Ding D16/134
D721,750 S * 1/2015 Teetzal D16/136
D723,078 S * 2/2015 Nauli D16/131
D723,600 S * 3/2015 Nauli D16/131
2004/0190140 A1 * 9/2004 Bala A61B 46/10
359/510

(21) Appl. No.: **29/567,833**

(Continued)

(22) Filed: **Jun. 13, 2016**

Primary Examiner — Sandra S Snapp

Assistant Examiner — Holly E Thurman

(30) **Foreign Application Priority Data**

(74) *Attorney, Agent, or Firm* — Walter Ottesen, P.A.

Dec. 11, 2015 (EM) 002907030

(51) **LOC (11) Cl.** **16-06**

(57) **CLAIM**

(52) **U.S. Cl.**
USPC **D16/131**

The ornamental design for a drape ring, as shown and described.

(58) **Field of Classification Search**
USPC D16/130–136, 217, 218, 219, 245, 208
CPC G02B 7/00; G02B 7/0026; G02B 27/0018;
G03B 11/06; G03B 11/04
See application file for complete search history.

DESCRIPTION

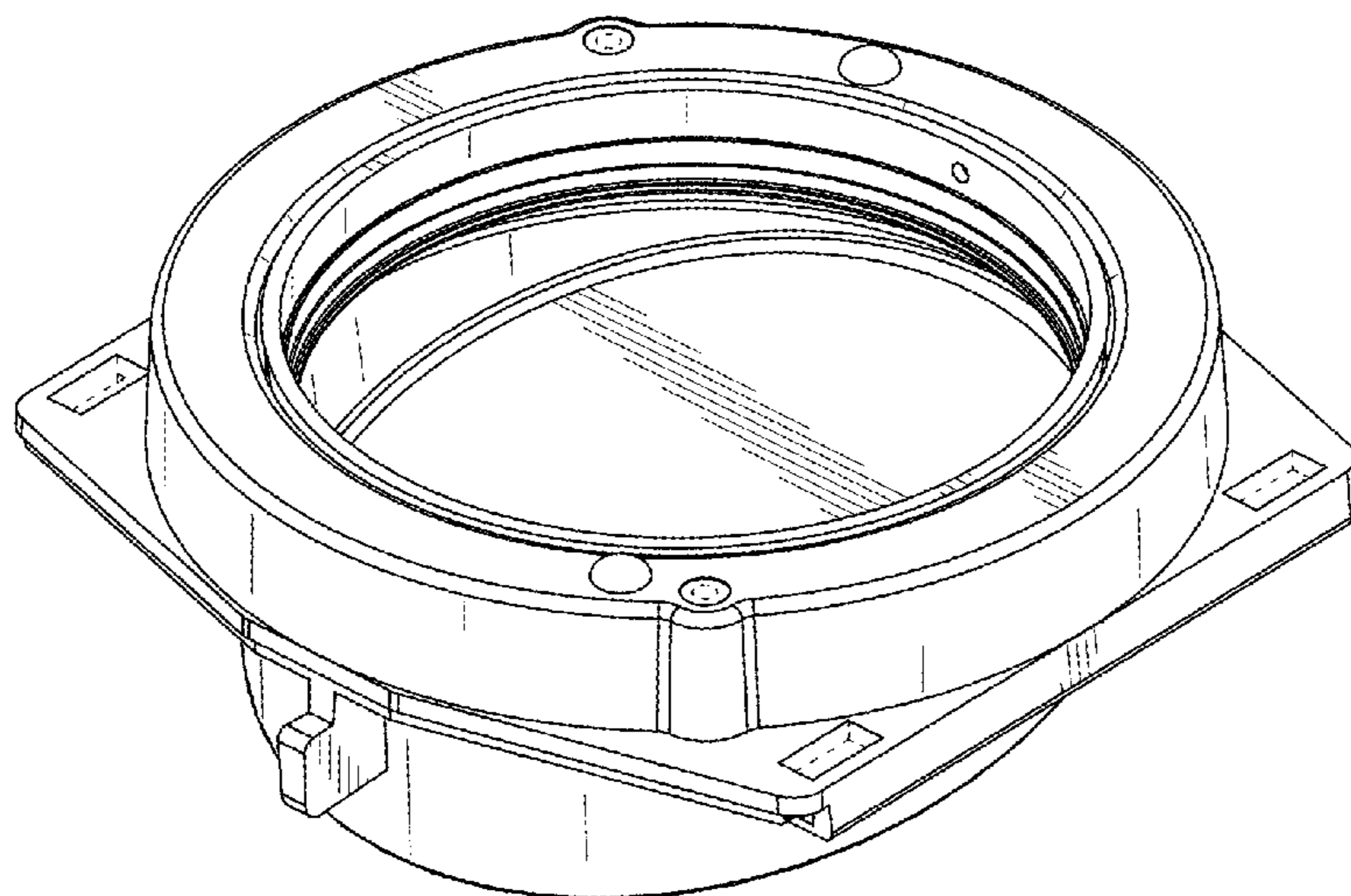
(56) **References Cited**

U.S. PATENT DOCUMENTS

D198,141 S * 5/1964 Armbruster D16/131
D198,142 S * 5/1964 Armbruster D16/131
D235,578 S * 6/1975 Osaka D16/136
D252,833 S * 9/1979 Bowser D26/85
4,307,950 A * 12/1981 Suzuki G03B 3/02
359/826
D339,599 S * 9/1993 Tiffen D16/219
5,311,358 A * 5/1994 Pederson A61B 46/10
206/316.1
5,682,264 A * 10/1997 Cleveland A61B 46/10
206/316.1

FIG. 1 is a top perspective view of a drape ring of our new design;
FIG. 2 is a bottom perspective view of the drape ring of FIG. 1;
FIG. 3 is a top plan view of the drape ring of FIG. 1;
FIG. 4 is a bottom plan view of the drape ring of FIG. 1;
FIG. 5 is a front elevation view of the drape ring of FIG. 1;
FIG. 6 is a rear elevation view of the drape ring of FIG. 1;
FIG. 7 is a left side elevation view of the drape ring of FIG. 1; and,
FIG. 8 is a right side elevation view of the drape ring of FIG. 1.
The broken lines depict portions of the drape ring and form no part of the claimed design.

1 Claim, 4 Drawing Sheets



(56)

References Cited

U.S. PATENT DOCUMENTS

2005/0094269 A1* 5/2005 Moses A61B 46/10
359/510
2005/0286130 A1* 12/2005 Bala G02B 7/001
359/510
2008/0144178 A1* 6/2008 Dillon A61B 46/10
359/510
2010/0238551 A1* 9/2010 Hubbs G02B 7/026
359/510
2017/0168292 A1* 6/2017 Koenig G02B 27/0006

* cited by examiner

FIG. 1

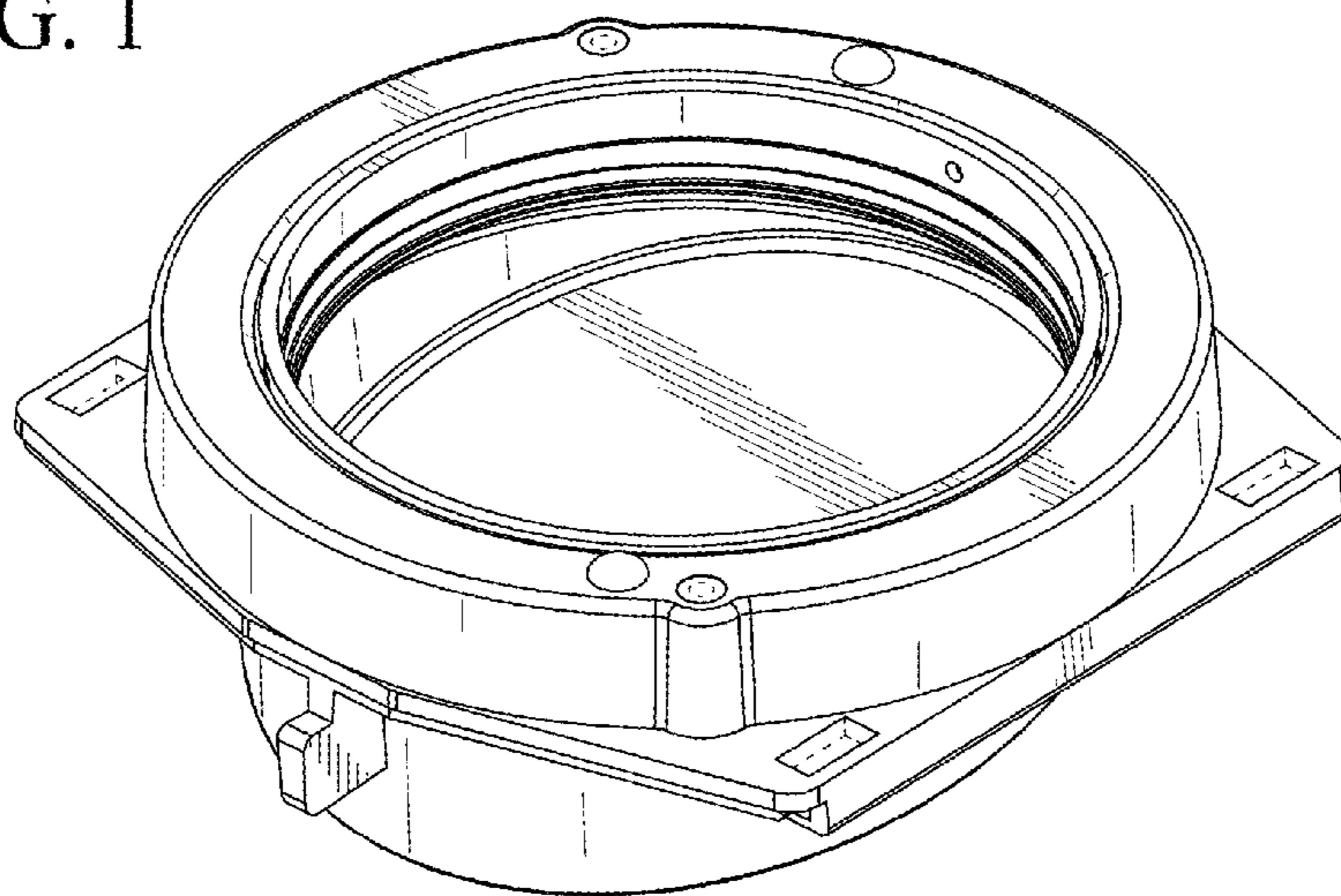


FIG. 2

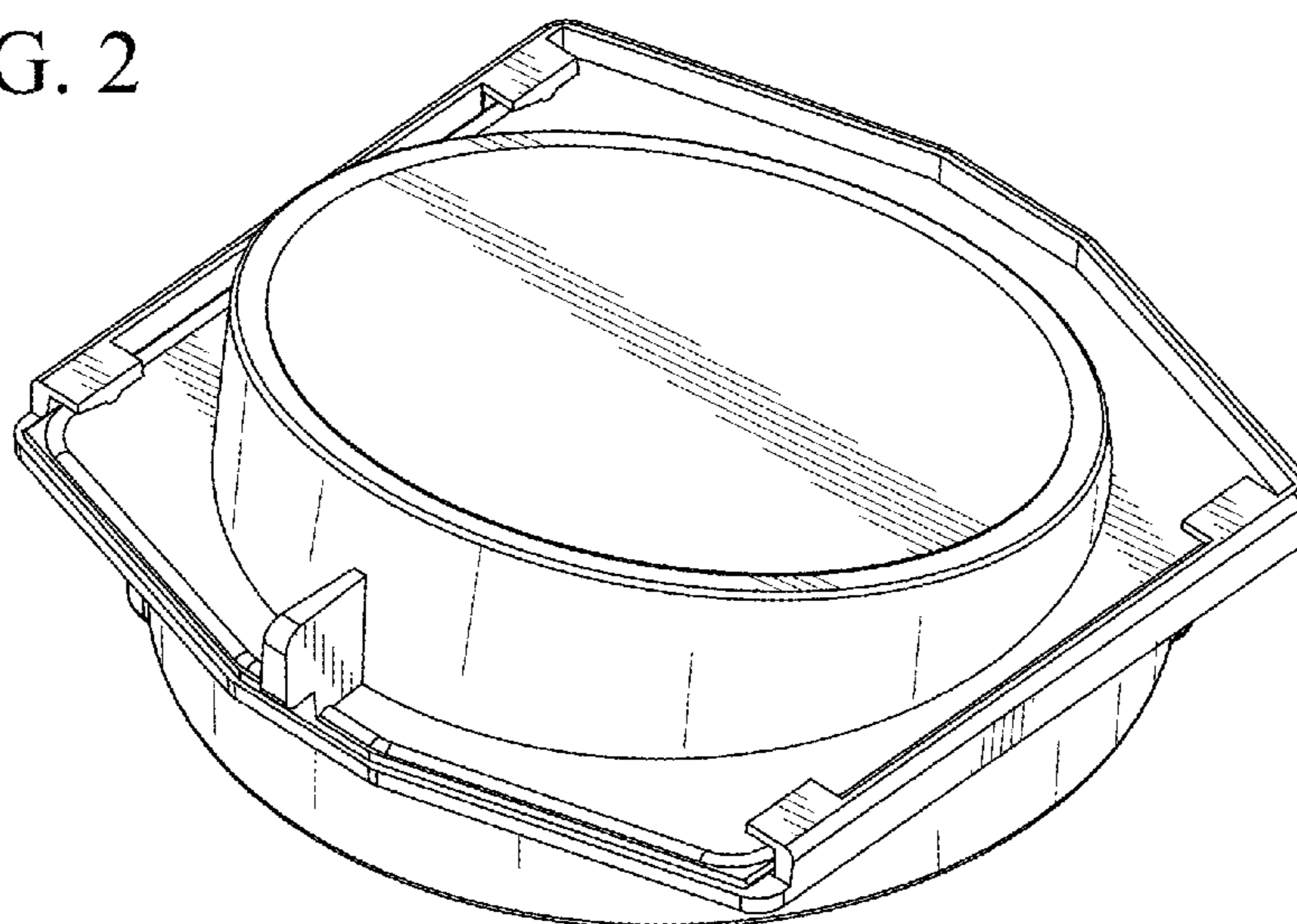


FIG. 3

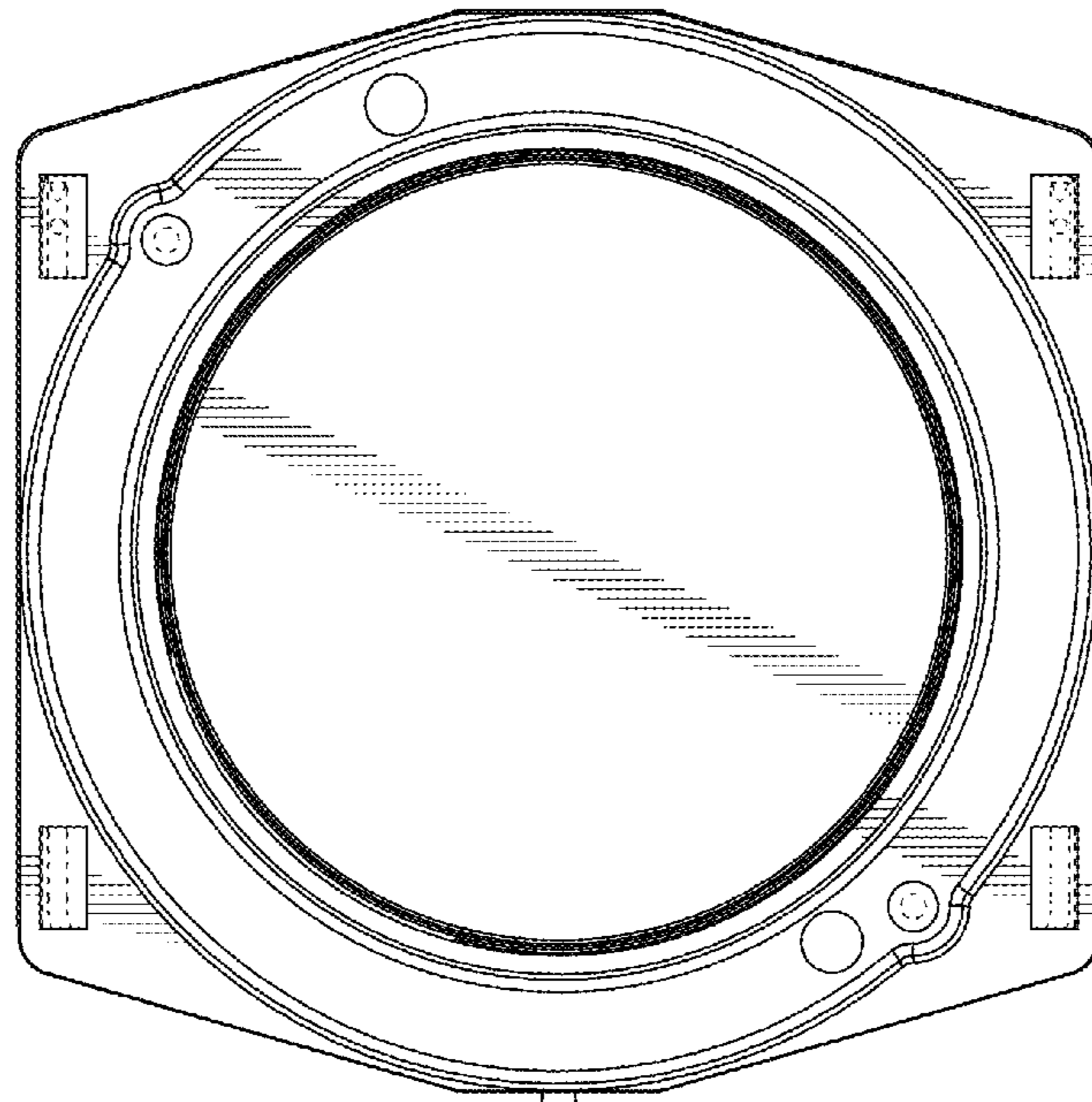
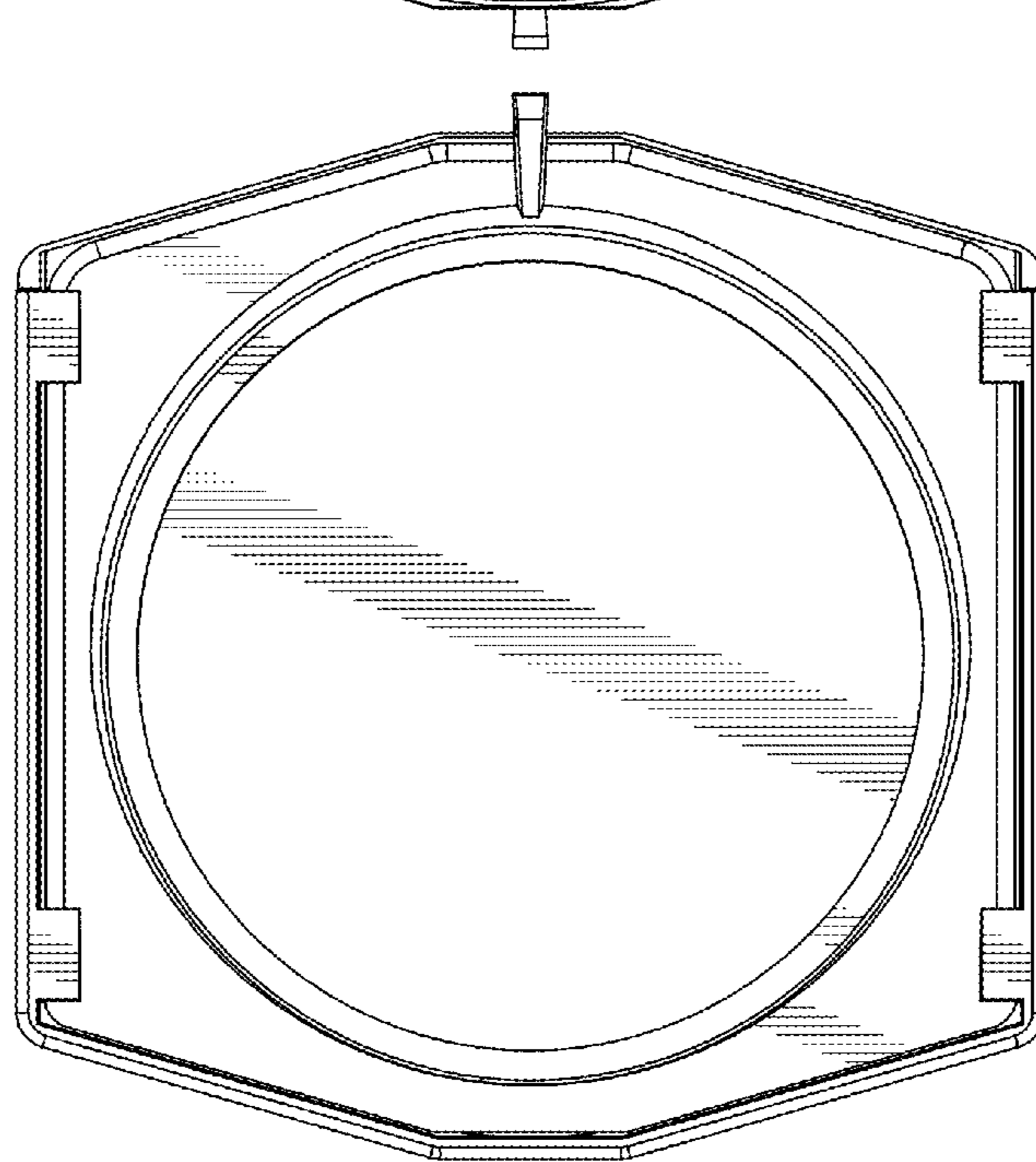


FIG. 4



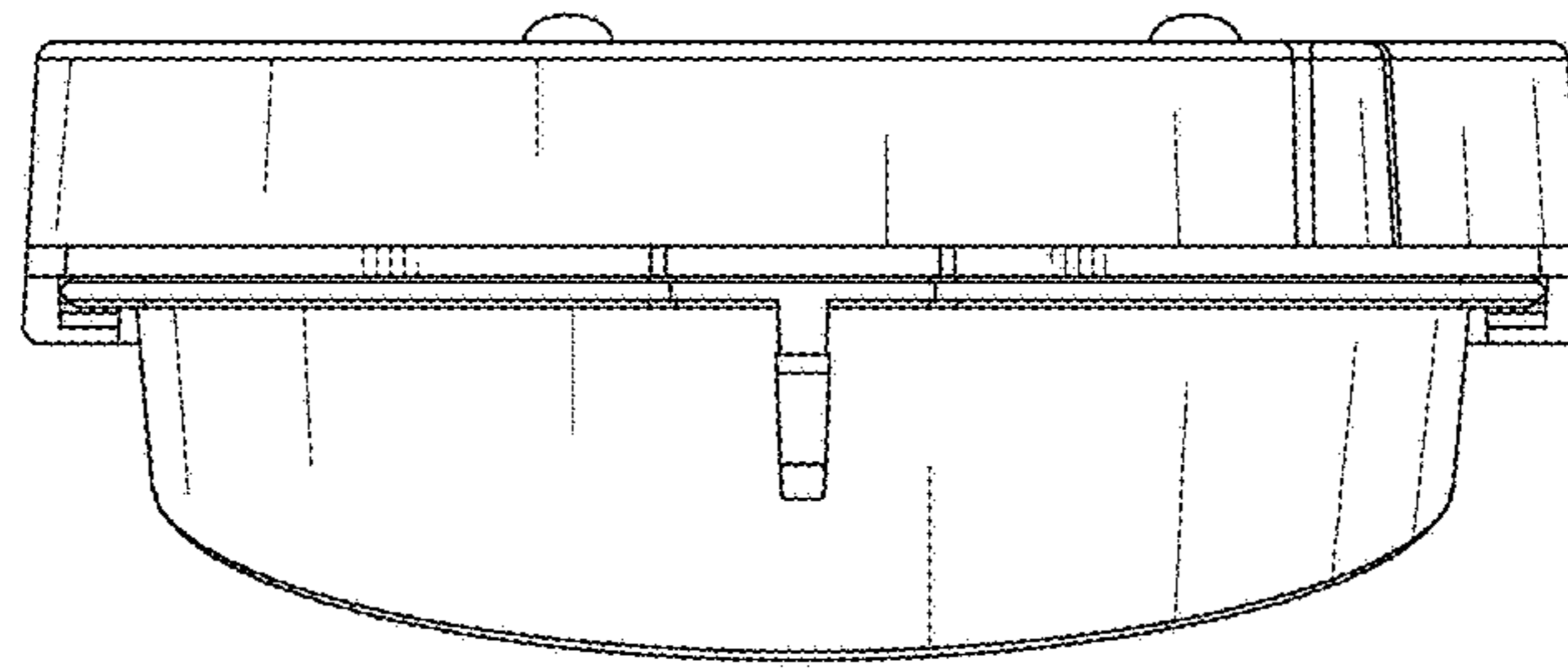


FIG. 5

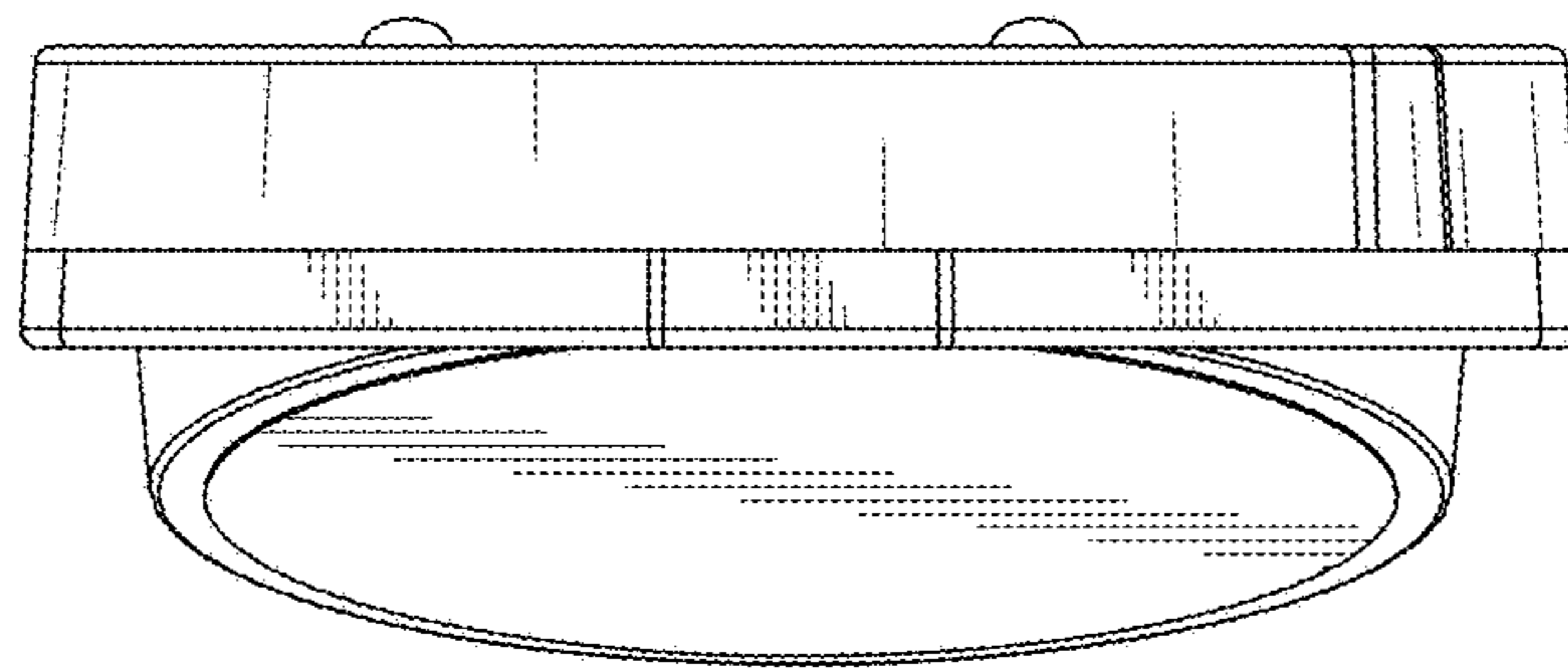


FIG. 6

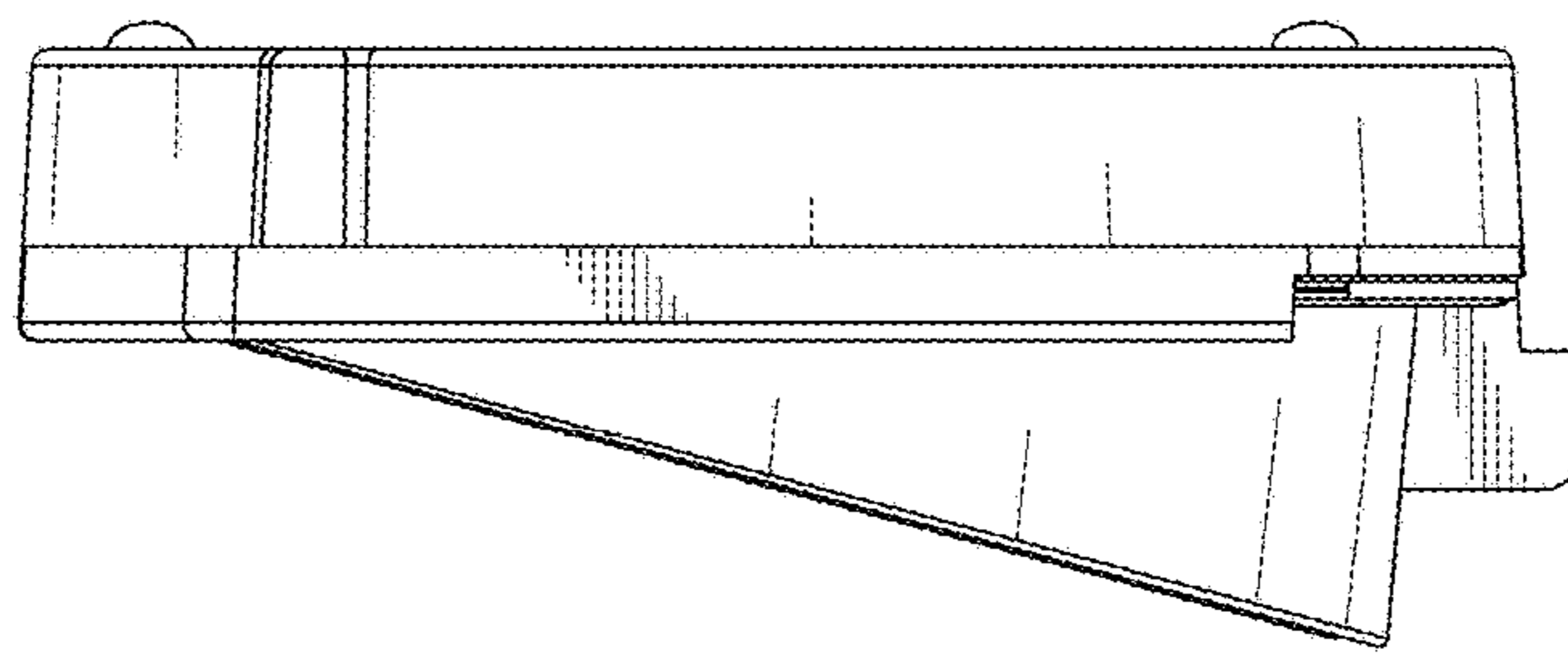


FIG. 7

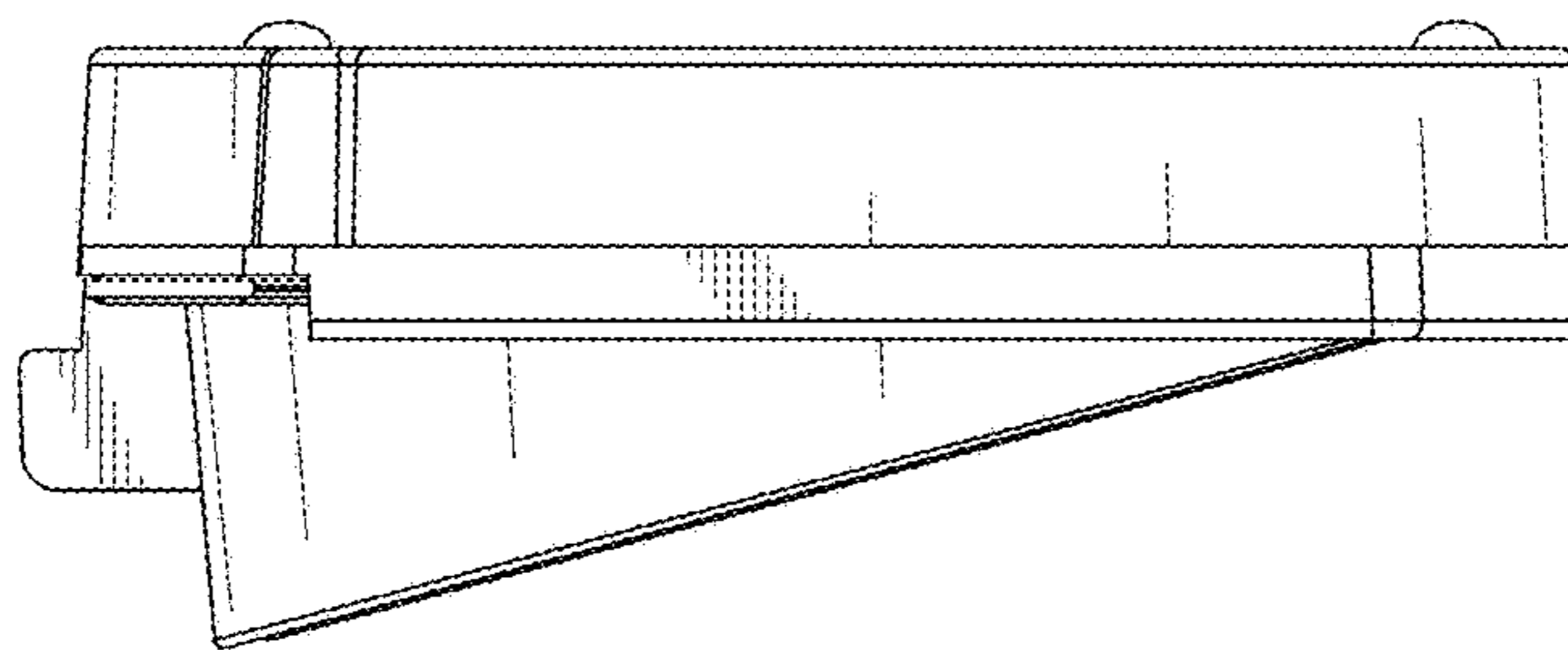


FIG. 8