



US00D839942S

(12) **United States Design Patent** (10) **Patent No.:** **US D839,942 S**
Feng et al. (45) **Date of Patent:** **** Feb. 5, 2019**

(54) **INDUSTRIAL ROBOT**

(71) Applicant: **ABB Schweiz AG**, Baden (CH)

(72) Inventors: **Tao Feng**, Shanghai (CN); **Xiao Xu**, Shanghai (CN); **Jing Wu**, Shanghai (CN); **Zhen Shi**, Shanghai (CN); **Junjie Hu**, Shanghai (CN); **Peng Kong**, Shanghai (CN)

(73) Assignee: **ABB Schweiz AG**, Baden (CH)

(**) Term: **15 Years**

(21) Appl. No.: **29/638,962**

(22) Filed: **Mar. 2, 2018**

(30) **Foreign Application Priority Data**

Sep. 26, 2017 (CN) 2017 3 0459326

(51) **LOC (11) Cl.** **15-99**

(52) **U.S. Cl.**
USPC **D15/199**

(58) **Field of Classification Search**
USPC D15/122, 199; D21/578-583, 621, 622; D23/259, 262, 263
CPC A63H 3/00; B25J 9/00; B25J 9/104; B25J 9/161; B25J 9/1617; G05B 19/00; G05B 2219/33105; G05B 2219/36433; G05B 2219/39335; G05B 2219/39427; G05B 2219/40304; G06C 7/60; G06N 3/00; G06N 3/004; G06N 3/006; G06N 3/008; G06N 5/00

See application file for complete search history.

D297,331 S * 8/1988 Blum D15/132
D343,630 S * 1/1994 Tomiyama D15/199
D376,376 S * 12/1996 Tourigny D15/199
D410,660 S * 6/1999 Kawaguchi D15/199
D613,781 S * 4/2010 Liu D15/199
D615,574 S * 5/2010 Liu D15/199
D624,104 S * 9/2010 Miyake 15/99
D707,277 S * 6/2014 Olsson D15/199
D712,447 S * 9/2014 He D15/199
D713,436 S * 9/2014 Liu D15/199
D718,160 S * 11/2014 Shimano D10/65

(Continued)

Primary Examiner — Patricia A Palasik
(74) *Attorney, Agent, or Firm* — Taft Stettinius & Hollister LLP

(57) **CLAIM**

The ornamental design for an industrial robot, as shown and described.

DESCRIPTION

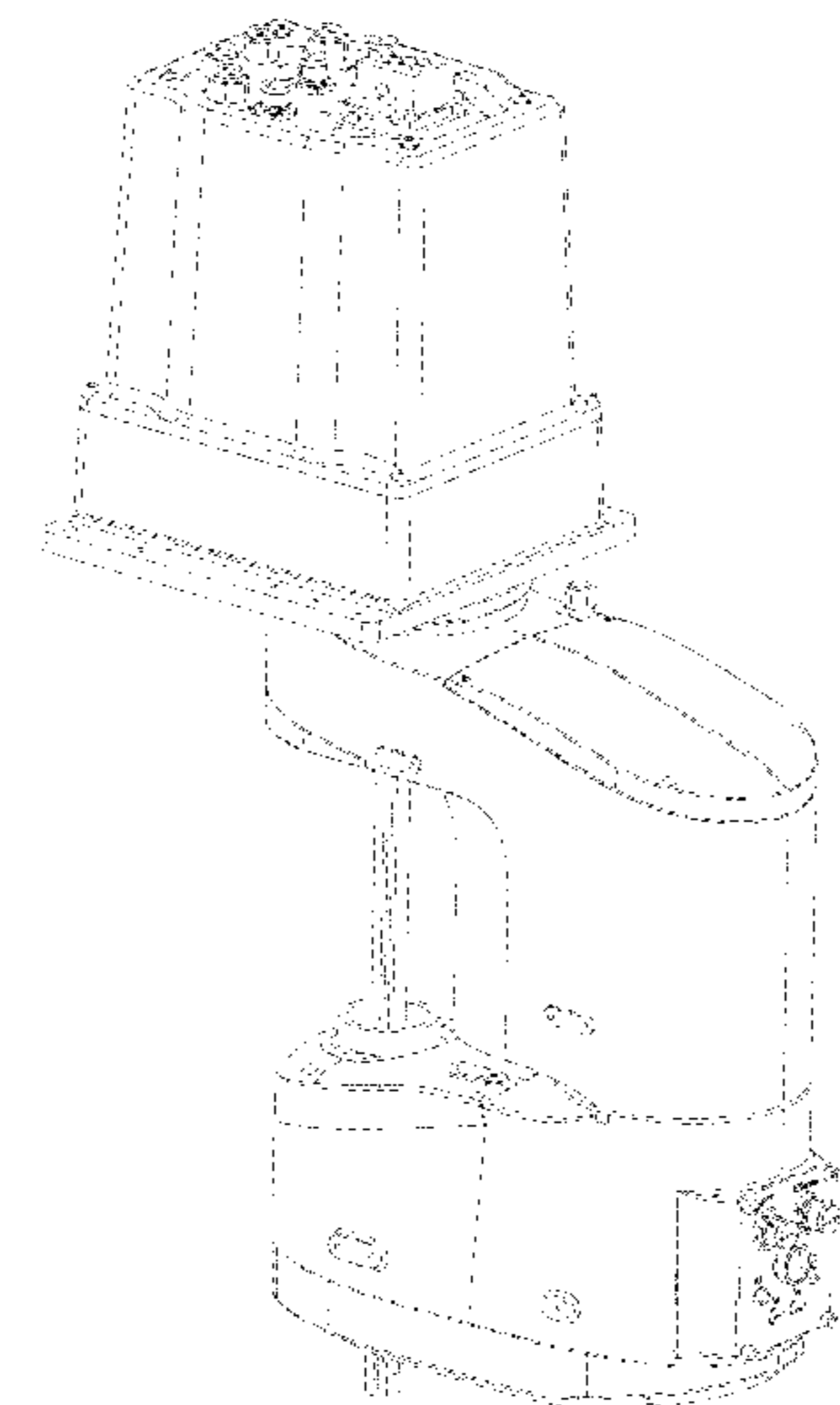
FIG. 1 is a front side view of an industrial robot.
FIG. 2 is a rear side view of the industrial robot shown in FIG. 1.
FIG. 3 is a left side view of the industrial robot shown in FIG. 1.
FIG. 4 is a right side view of the industrial robot shown in FIG. 1.
FIG. 5 is a top side view of the industrial robot shown in FIG. 1.
FIG. 6 is a bottom side view of the industrial robot shown in FIG. 1.
FIG. 7 is a rear left side perspective view of the industrial robot shown in FIG. 1.
FIG. 8 is a rear right side perspective view of the industrial robot shown in FIG. 1.
FIG. 9 is a front right side perspective view of the industrial robot shown in FIG. 1; and,
FIG. 10 is a front left side perspective view of the industrial robot shown in FIG. 1.

1 Claim, 10 Drawing Sheets

(56) **References Cited**

U.S. PATENT DOCUMENTS

D274,182 S * 6/1984 Kato D15/122
D287,368 S * 12/1986 Shibayama D15/122
D293,324 S * 12/1987 Gotou D15/122



(56)

References Cited

U.S. PATENT DOCUMENTS

D769,343 S * 10/2016 Bordegnoni D15/199
D802,041 S * 11/2017 He D15/199
D818,019 S * 5/2018 Huang D15/199
2011/0064554 A1* 3/2011 Ito B25J 9/047
414/735
2011/0107866 A1* 5/2011 Oka B25J 9/0084
74/490.03
2013/0116821 A1* 5/2013 Joly B25J 9/161
700/254
2013/0125694 A1* 5/2013 Long B25J 11/0075
74/490.01
2014/0137687 A1* 5/2014 Nogami B25J 18/00
74/490.03
2016/0331482 A1* 11/2016 Hares B25J 9/1689

* cited by examiner

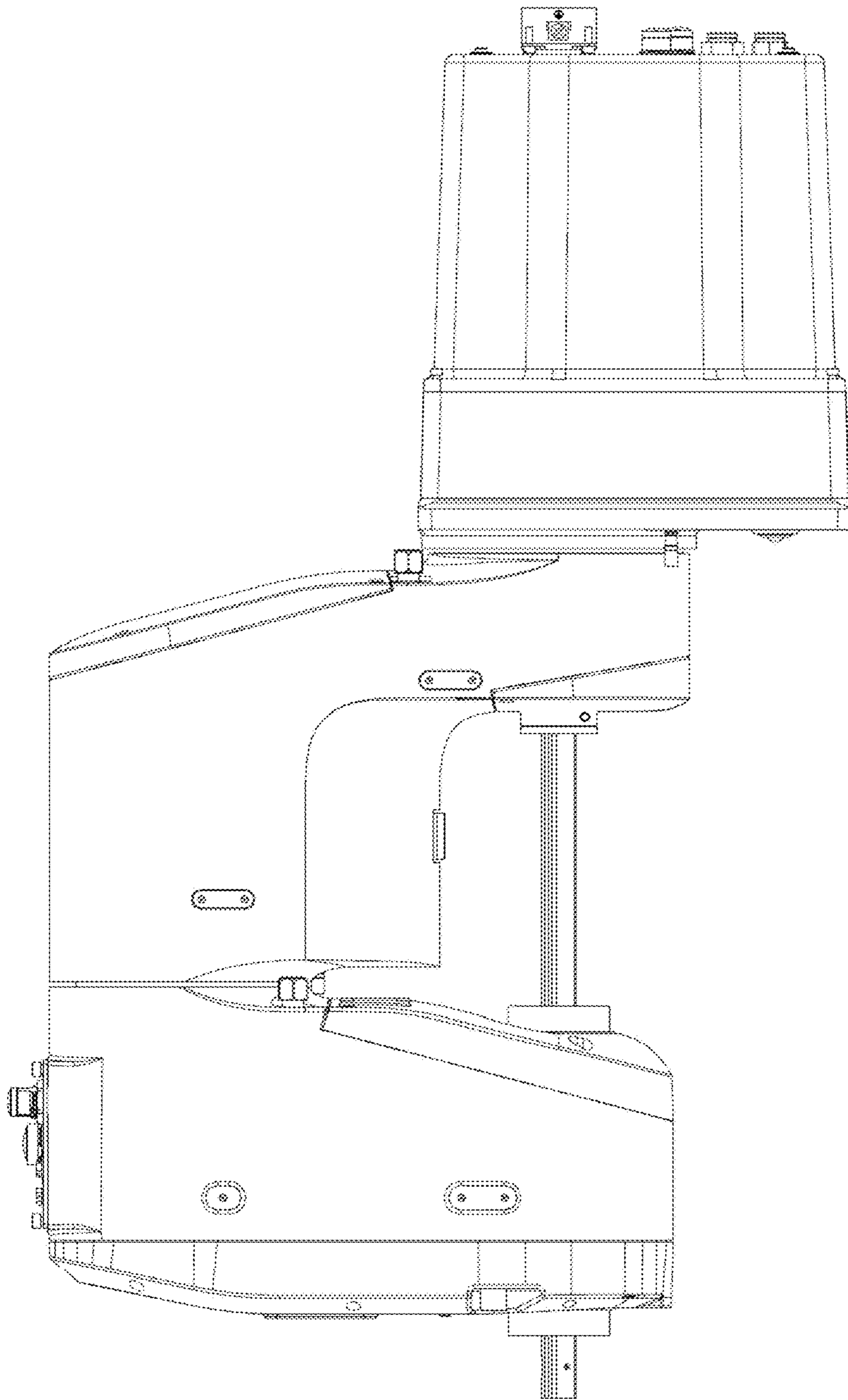


FIGURE 1

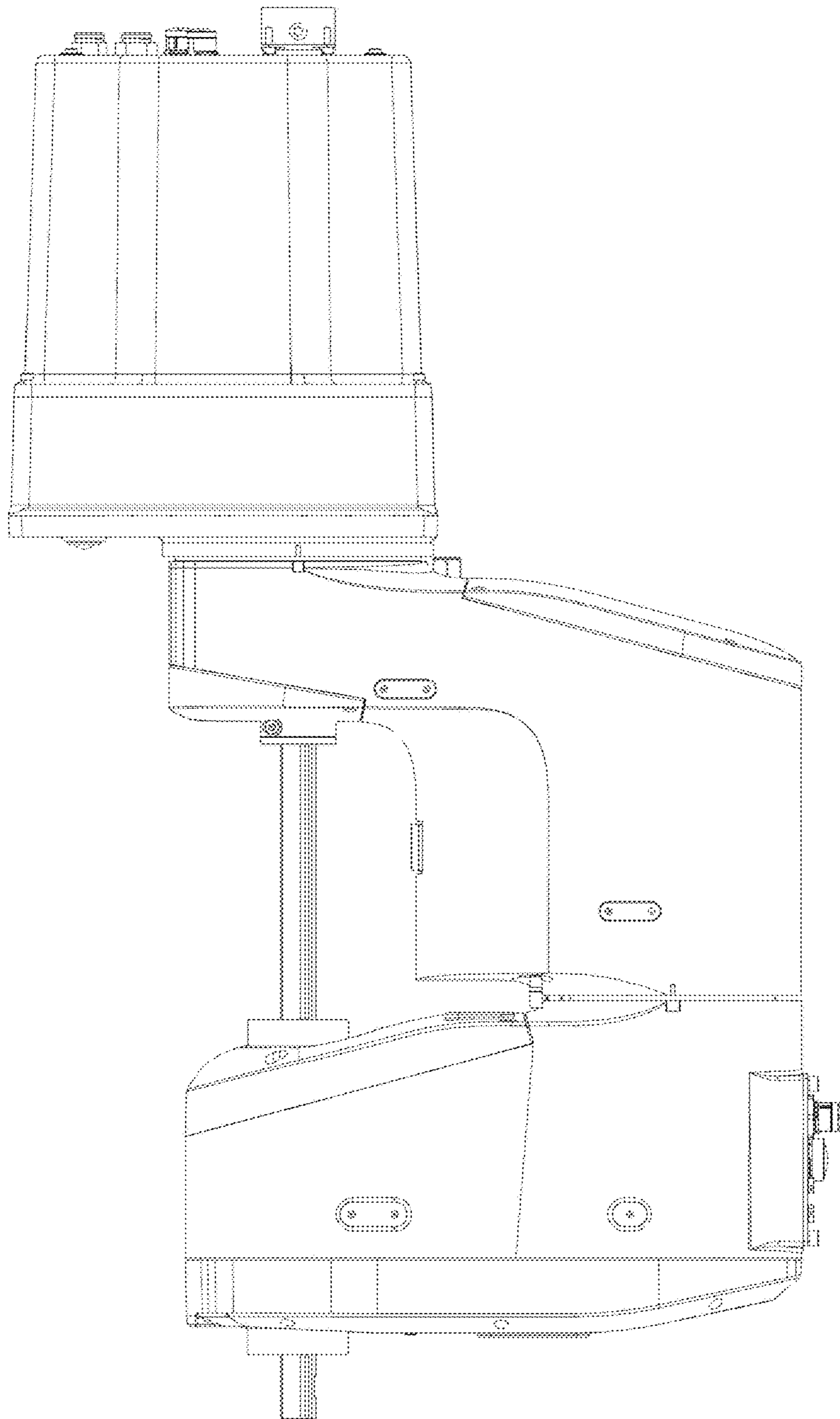


FIGURE 2

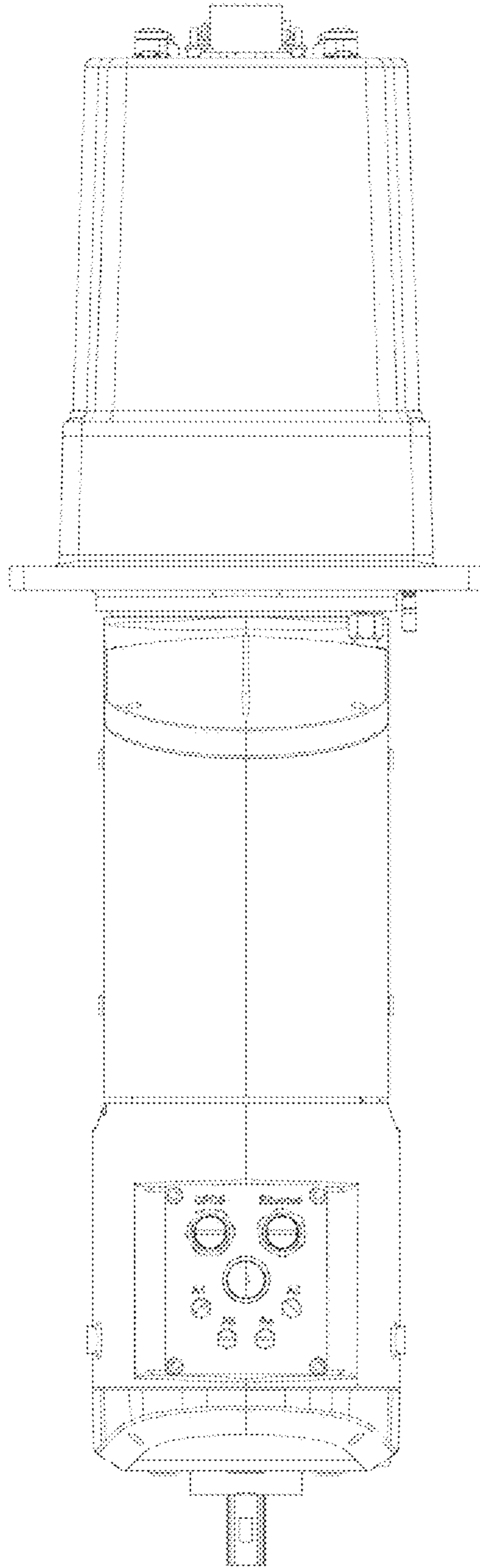


FIGURE 3

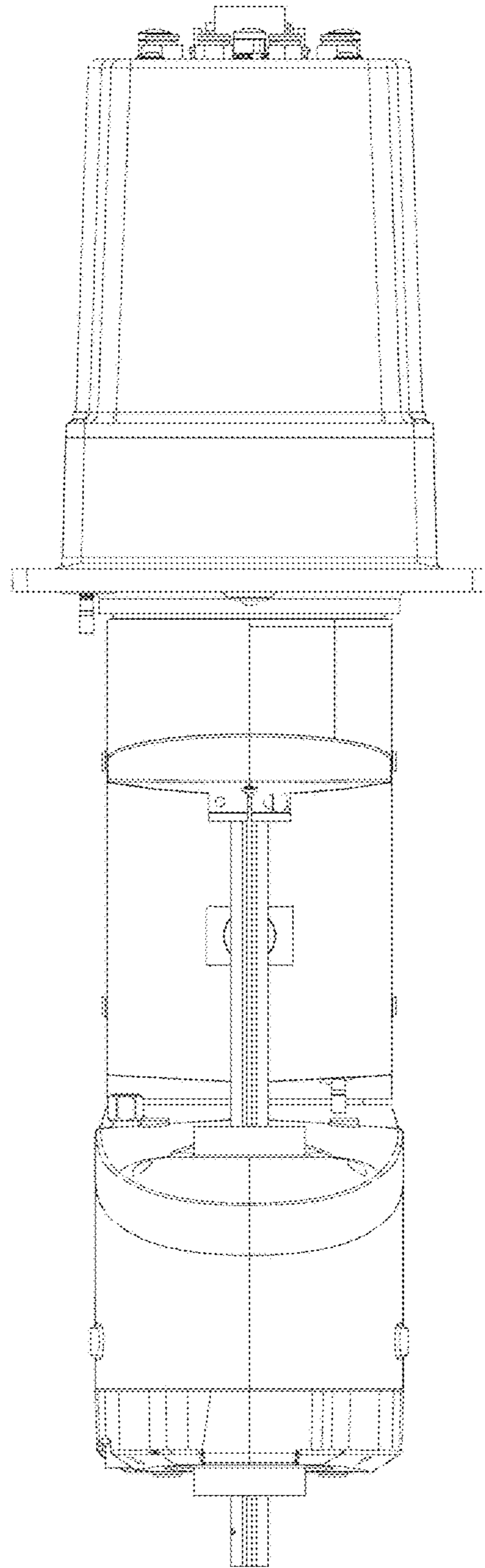


FIGURE 4

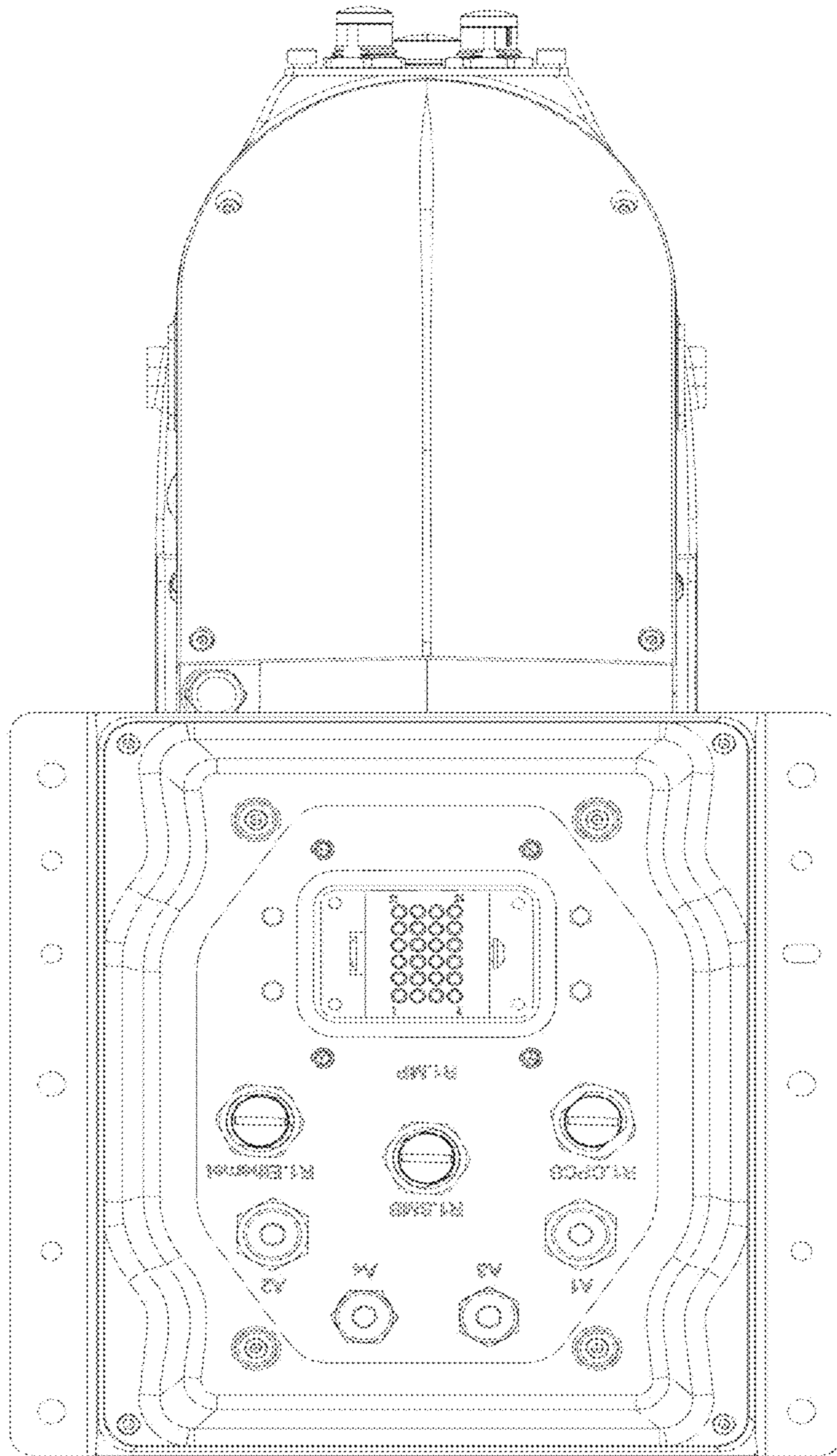


FIGURE 5

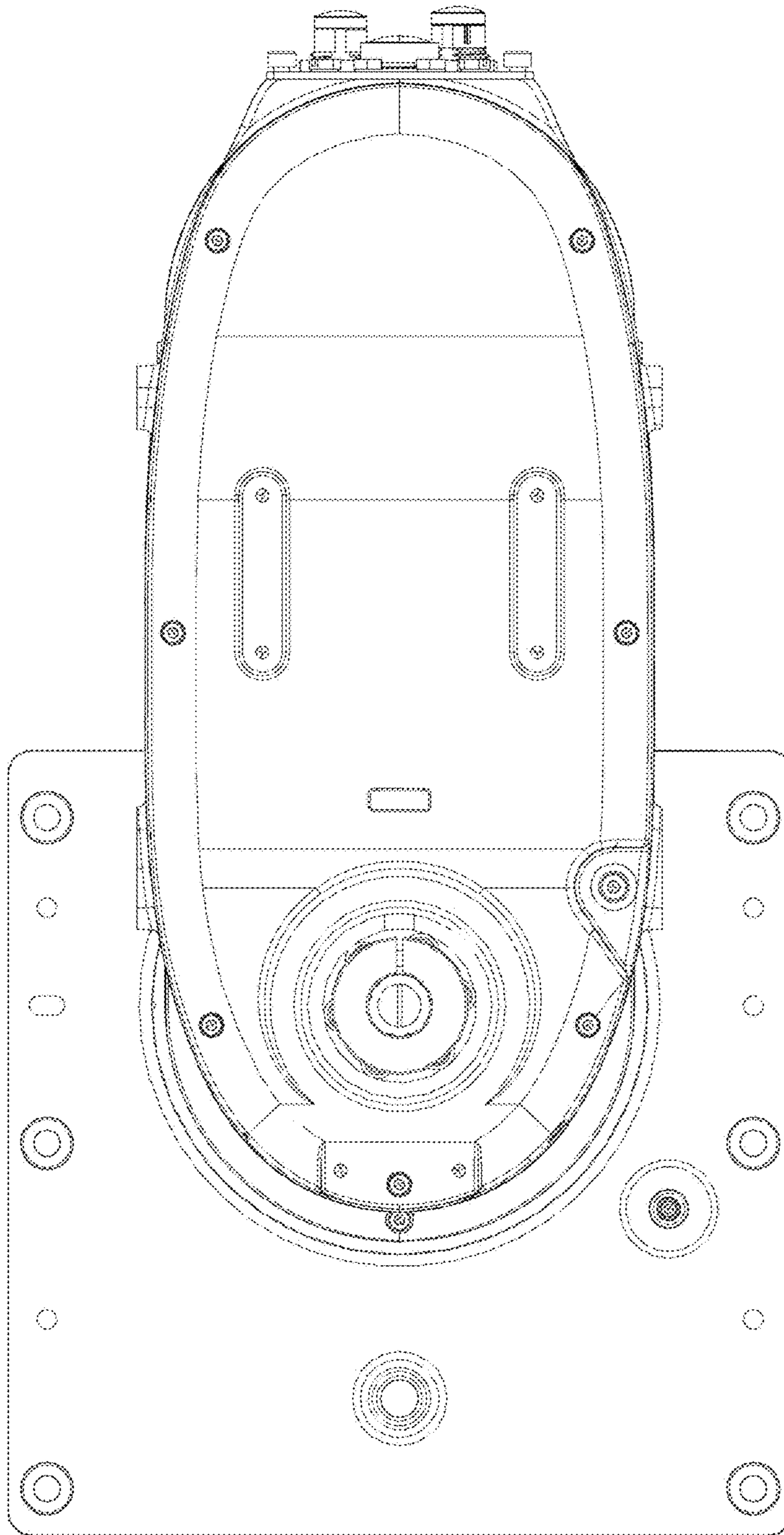


FIGURE 6

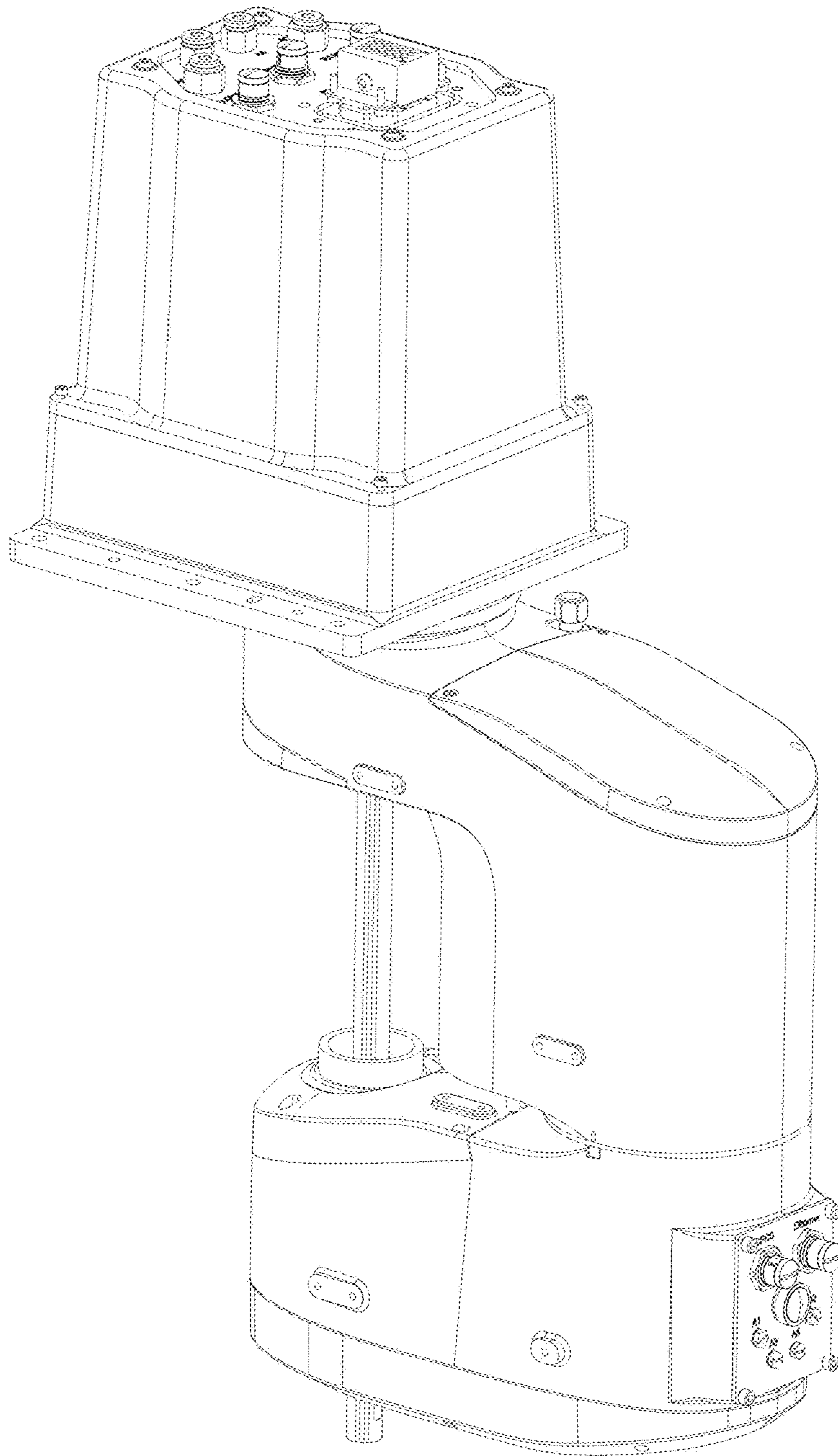


FIGURE 7

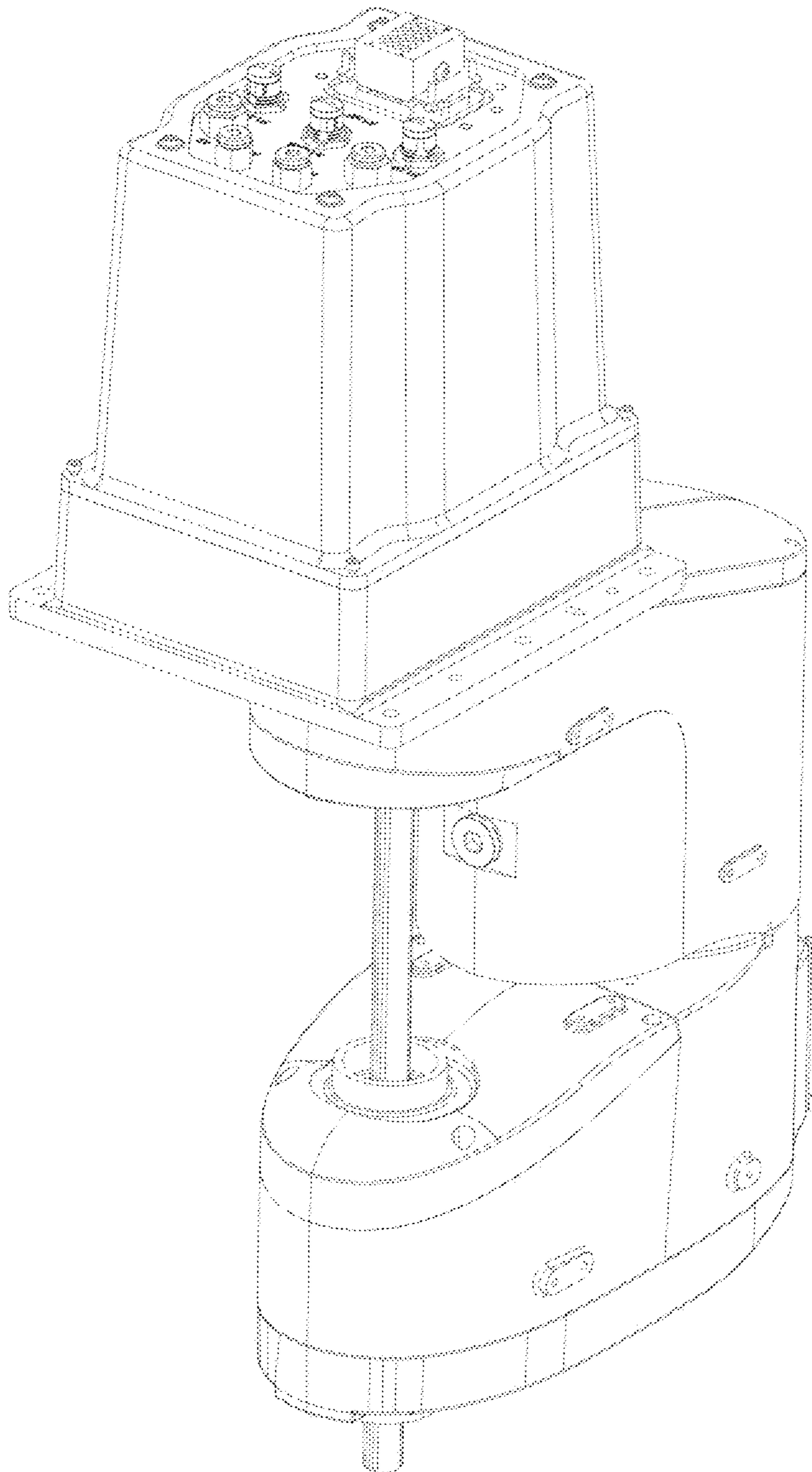


FIGURE 8

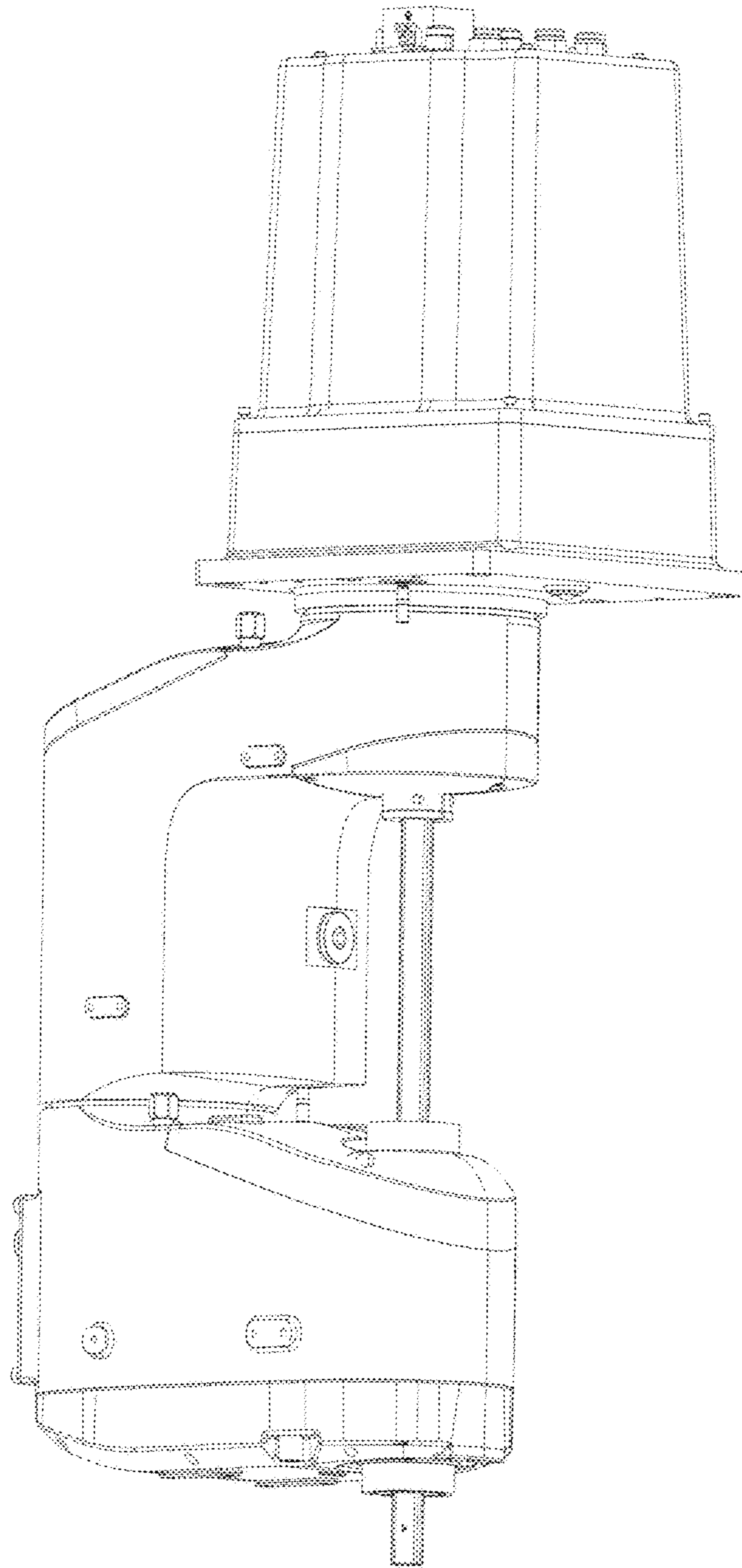


FIGURE 9

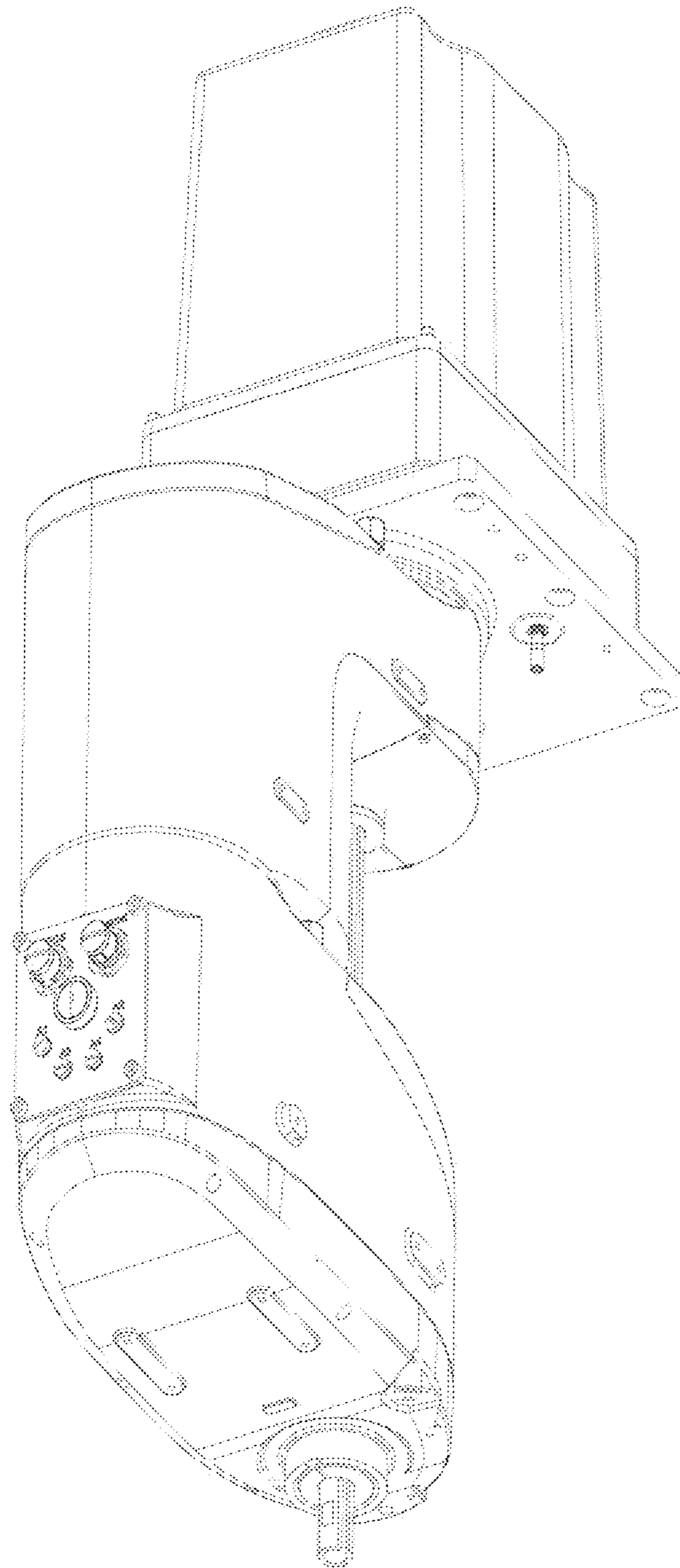


FIGURE 10