



US00D839941S

(12) **United States Design Patent**  
**Gao et al.**

(10) **Patent No.:** **US D839,941 S**

(45) **Date of Patent:** **\*\* Feb. 5, 2019**

(54) **INDUSTRIAL ROBOT**

(71) Applicant: **ABB Schweiz AG**, Baden (CH)

(72) Inventors: **Ziwei Gao**, Shanghai (CN); **Kangjian Wang**, Shanghai (CN); **Chengping Su**, Shanghai (CN); **Qihang Li**, Shanghai (CN); **Gongyao Ma**, Shanghai (CN)

(73) Assignee: **ABB Schweiz AG**, Baden (CH)

(\*\*) Term: **15 Years**

(21) Appl. No.: **29/634,715**

(22) Filed: **Jan. 24, 2018**

(30) **Foreign Application Priority Data**

Sep. 28, 2017 (CN) ..... 2017 3 0465424

(51) **LOC (11) Cl.** ..... **15-99**

(52) **U.S. Cl.**  
USPC ..... **D15/199**

(58) **Field of Classification Search**

USPC ..... 15/122, 199; 21/578-583, 621, 622;  
23/259, 262, 263

CPC ..... A63H 3/00; B25J 9/00; B25J 9/104; B25J  
9/161; B25J 9/1617; G05B 19/00; G05B  
2219/33105; G05B 2219/36433; G05B  
2219/39335; G05B 2219/39427; G05B  
2219/40304; G06C 7/60; G06N 3/00;  
G06N 3/004; G06N 3/006; G06N 3/008;  
G06N 5/00

See application file for complete search history.

(56) **References Cited**

**U.S. PATENT DOCUMENTS**

D461,484 S \* 8/2002 Kraft ..... D15/199  
D646,703 S \* 10/2011 Wong ..... D15/199  
D650,820 S \* 12/2011 Long ..... D15/199  
D655,324 S \* 3/2012 Wong ..... D15/199  
D670,319 S \* 11/2012 Liu ..... D15/199  
D677,294 S \* 3/2013 Long ..... D15/199

(Continued)

**FOREIGN PATENT DOCUMENTS**

JP D1324954 S 3/2008  
JP D1521133 S 4/2015

**OTHER PUBLICATIONS**

ROC (Taiwan) Search Report for Design Patent Application, Search Report issued in corresponding Taiwanese design application No. 107301034, dated Aug. 21, 2018, 2 pp.

*Primary Examiner* — Patricia A Palasik

(74) *Attorney, Agent, or Firm* — Taft Stettinius & Hollister LLP

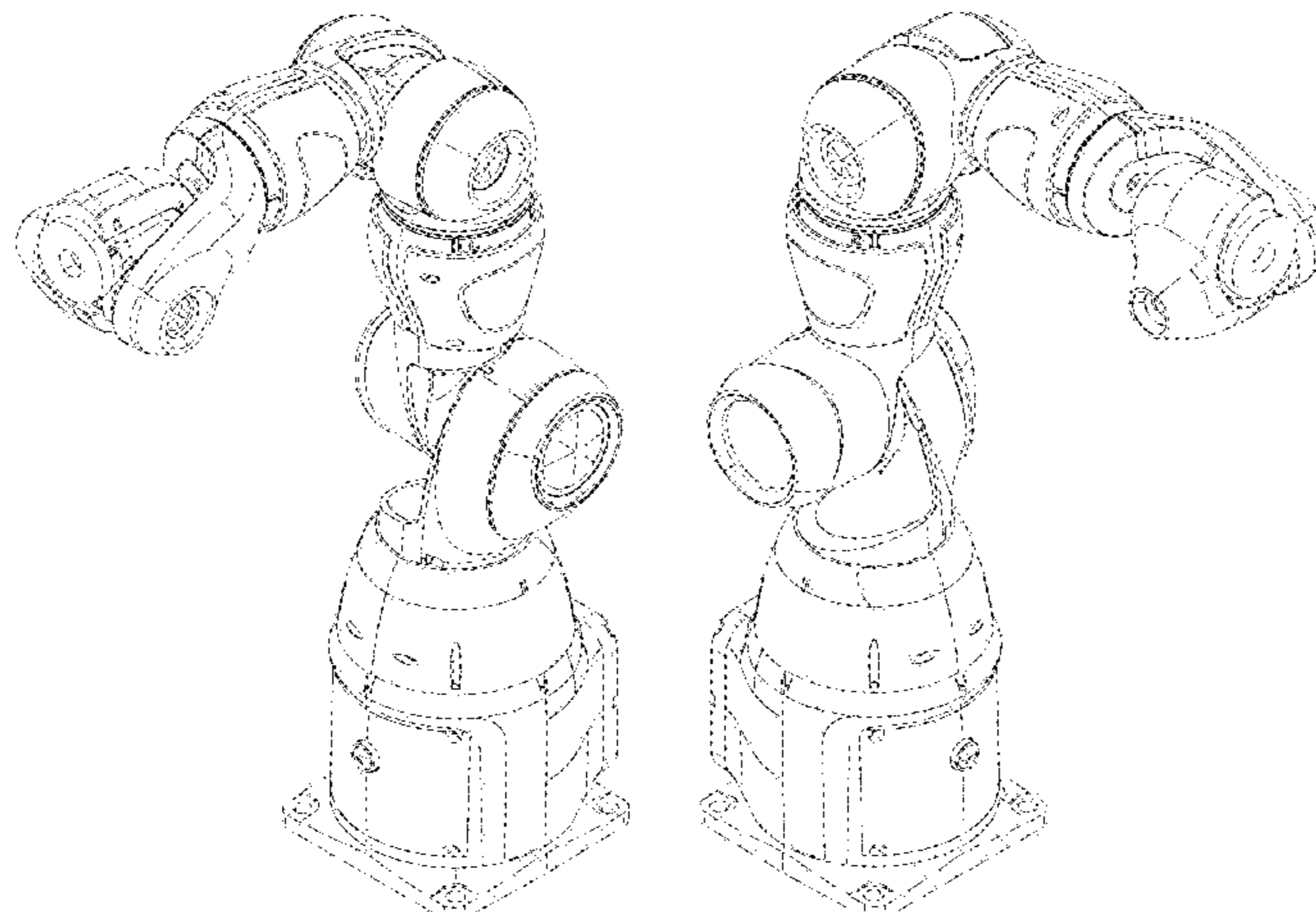
(57) **CLAIM**

The ornamental design for an industrial robot, as shown and described.

**DESCRIPTION**

FIG. 1 is a front side view of an industrial robot.  
FIG. 2 is a rear side view of the industrial robot shown in FIG. 1.  
FIG. 3 is a left side view of the industrial robot shown in FIG. 1.  
FIG. 4 is a right side view of the industrial robot shown in FIG. 1.  
FIG. 5 is a top side view of the industrial robot shown in FIG. 1.  
FIG. 6 is a bottom side view of the industrial robot shown in FIG. 1.  
FIG. 7 is a front left side perspective view of the industrial robot shown in FIG. 1.  
FIG. 8 is a rear left side perspective view of the industrial robot shown in FIG. 1.  
FIG. 9 is a rear right side perspective view of the industrial robot shown in FIG. 1; and,  
FIG. 10 is a front right side perspective view of the industrial robot shown in FIG. 1.

**1 Claim, 10 Drawing Sheets**



(56)

**References Cited**

U.S. PATENT DOCUMENTS

D692,041	S *	10/2013	Selic .....	D15/199
D716,357	S *	10/2014	Gombert .....	D15/199
D761,339	S *	7/2016	White, Jr. ....	D15/199
D766,348	S *	9/2016	Long .....	D15/199
D776,178	S *	1/2017	Ries .....	D15/199
D802,041	S *	11/2017	He .....	D15/199
D824,977	S *	8/2018	Everman .....	D15/199
D830,439	S *	10/2018	Park .....	D15/199
2010/0131099	A1 *	5/2010	Birkenbach .....	G05B 19/402
				700/254
2011/0064554	A1 *	3/2011	Ito .....	B25J 9/047
				414/735
2011/0107866	A1 *	5/2011	Oka .....	B25J 9/0084
				74/490.03
2013/0116821	A1 *	5/2013	Joly .....	B25J 9/161
				700/254
2013/0125694	A1 *	5/2013	Long .....	B25J 11/0075
				74/490.01
2014/0102239	A1 *	4/2014	Umeno .....	B25J 15/0033
				74/490.01
2014/0137687	A1 *	5/2014	Nogami .....	B25J 18/00
				74/490.03
2016/0331482	A1 *	11/2016	Hares .....	B25J 9/1689

\* cited by examiner

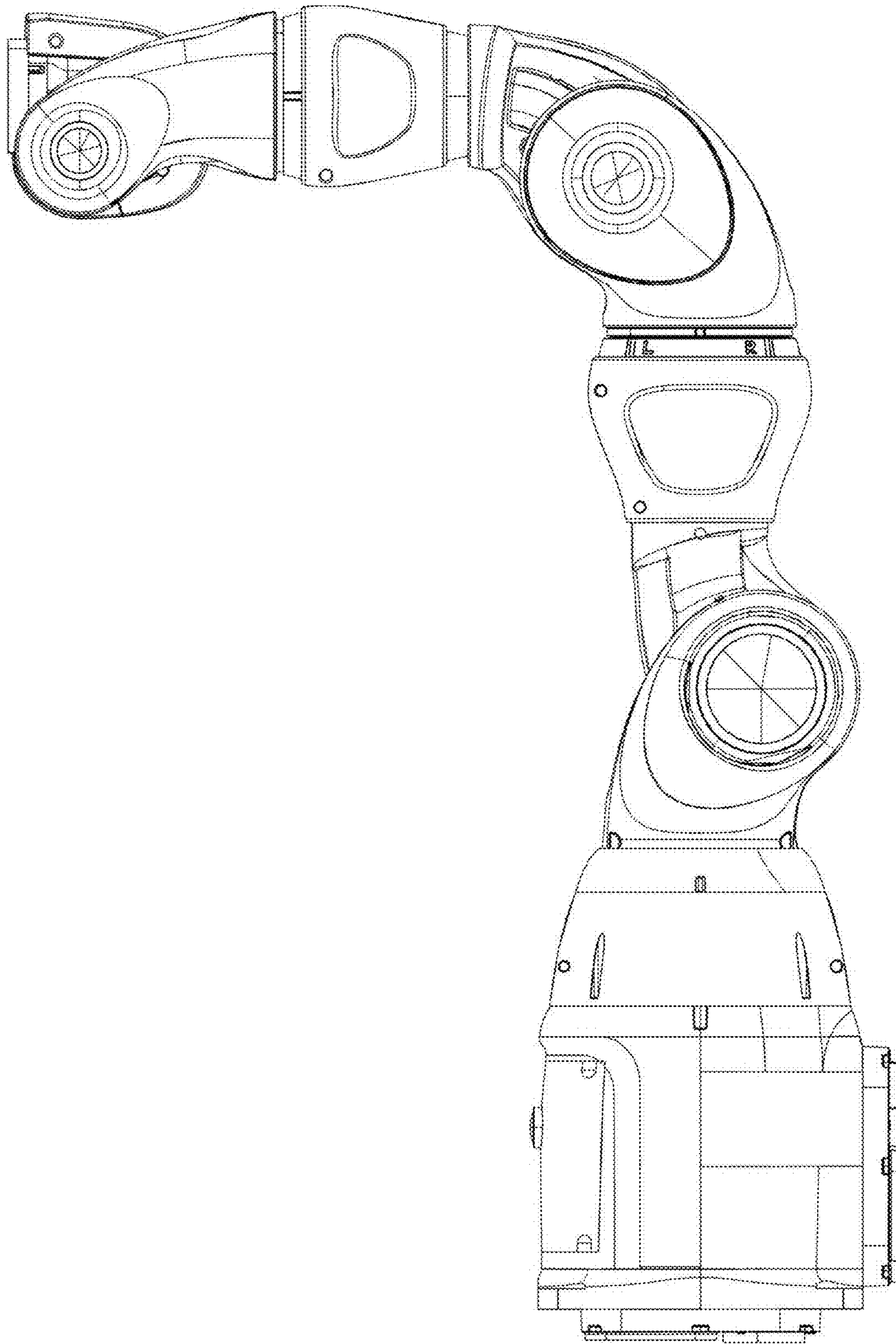


FIGURE 1

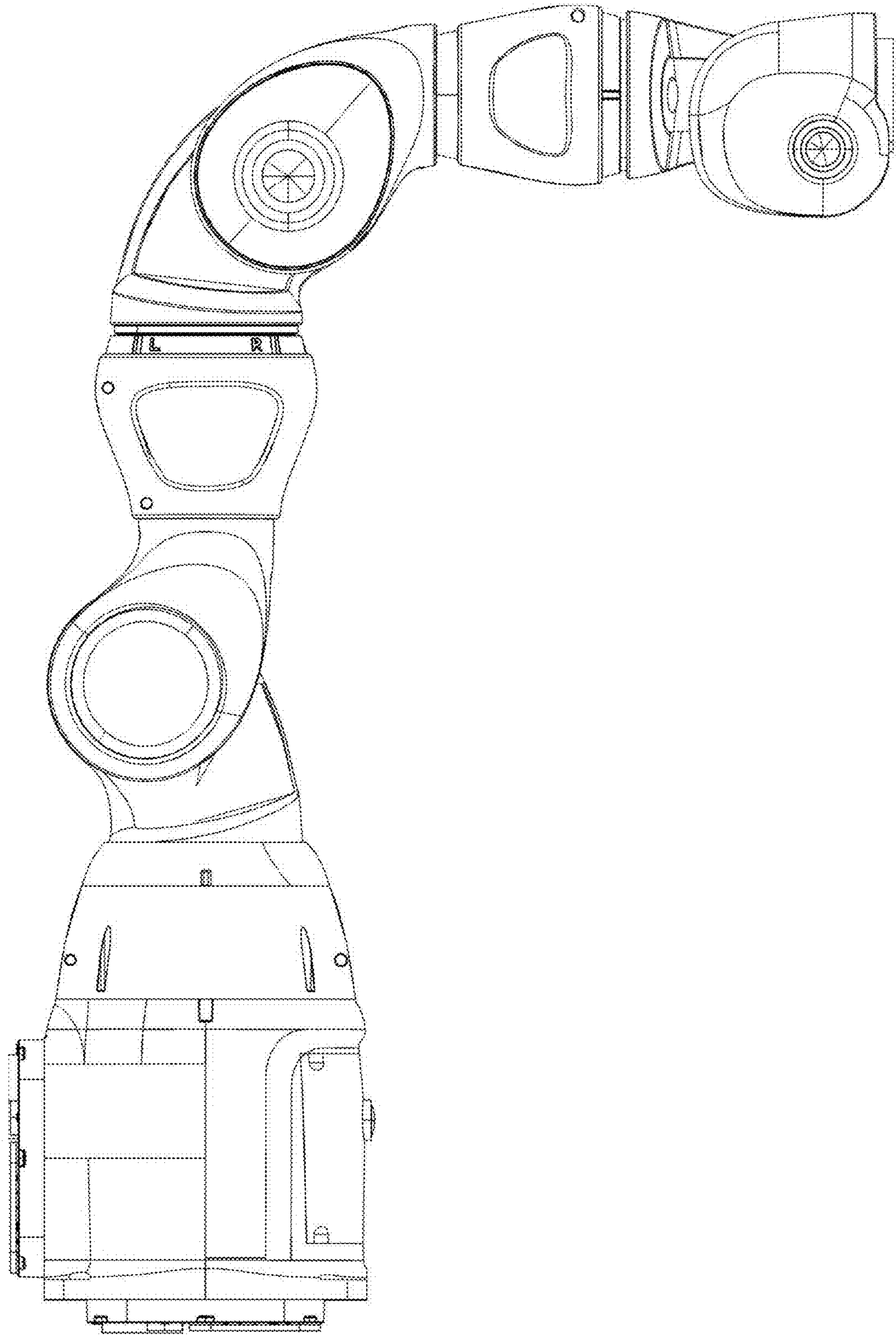


FIGURE 2

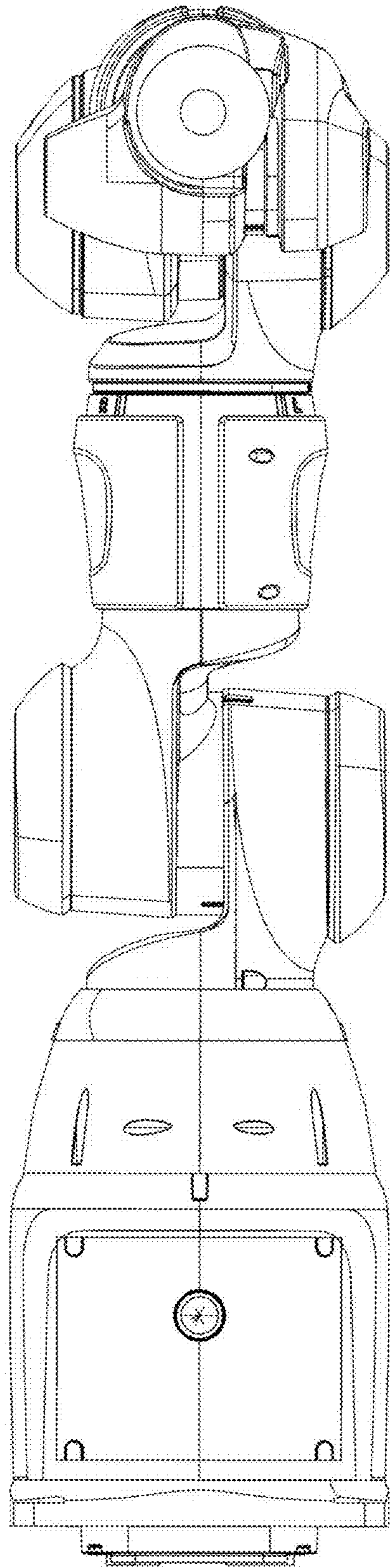


FIGURE 3

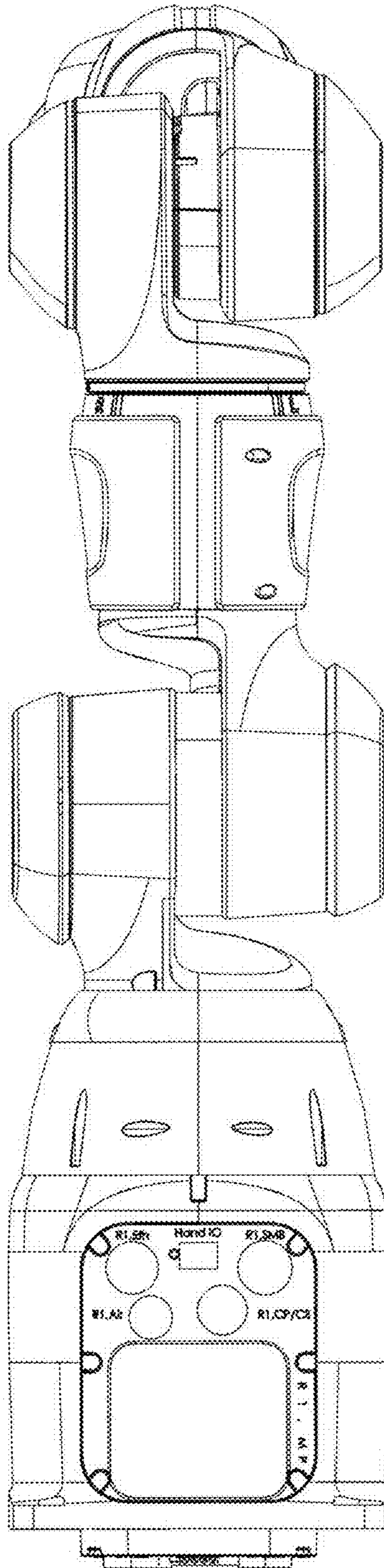


FIGURE 4

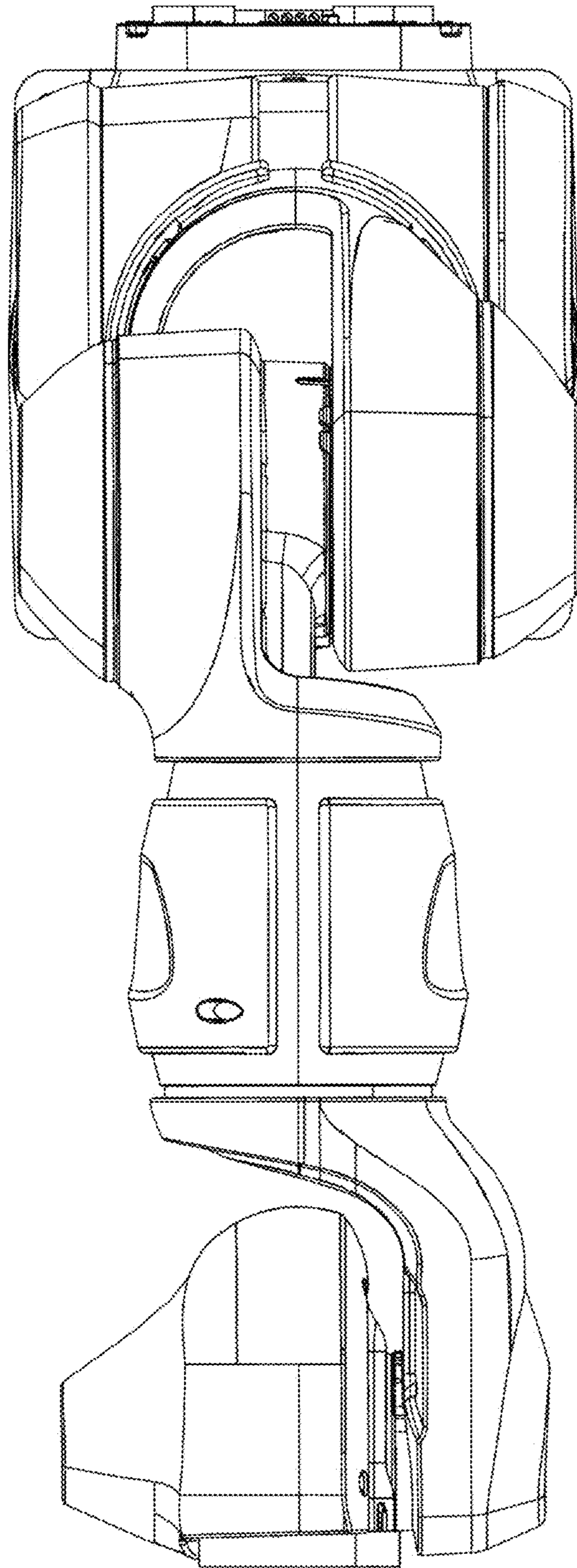


FIGURE 5

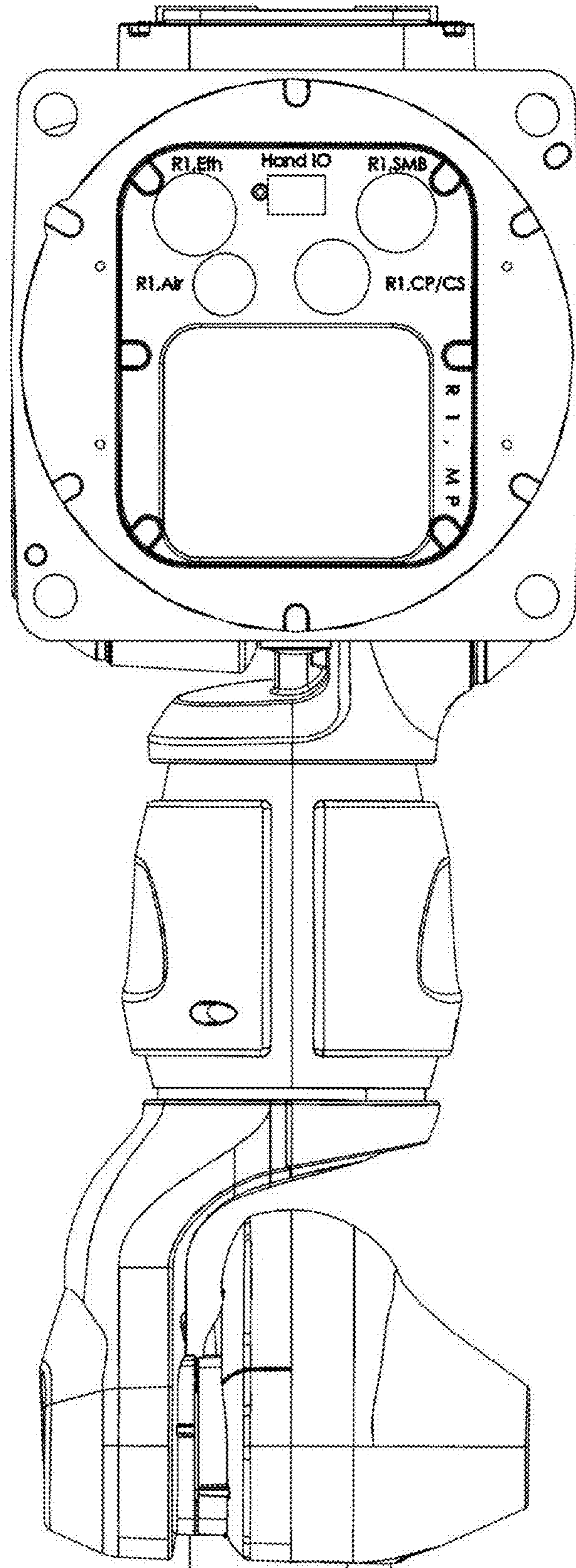


FIGURE 6



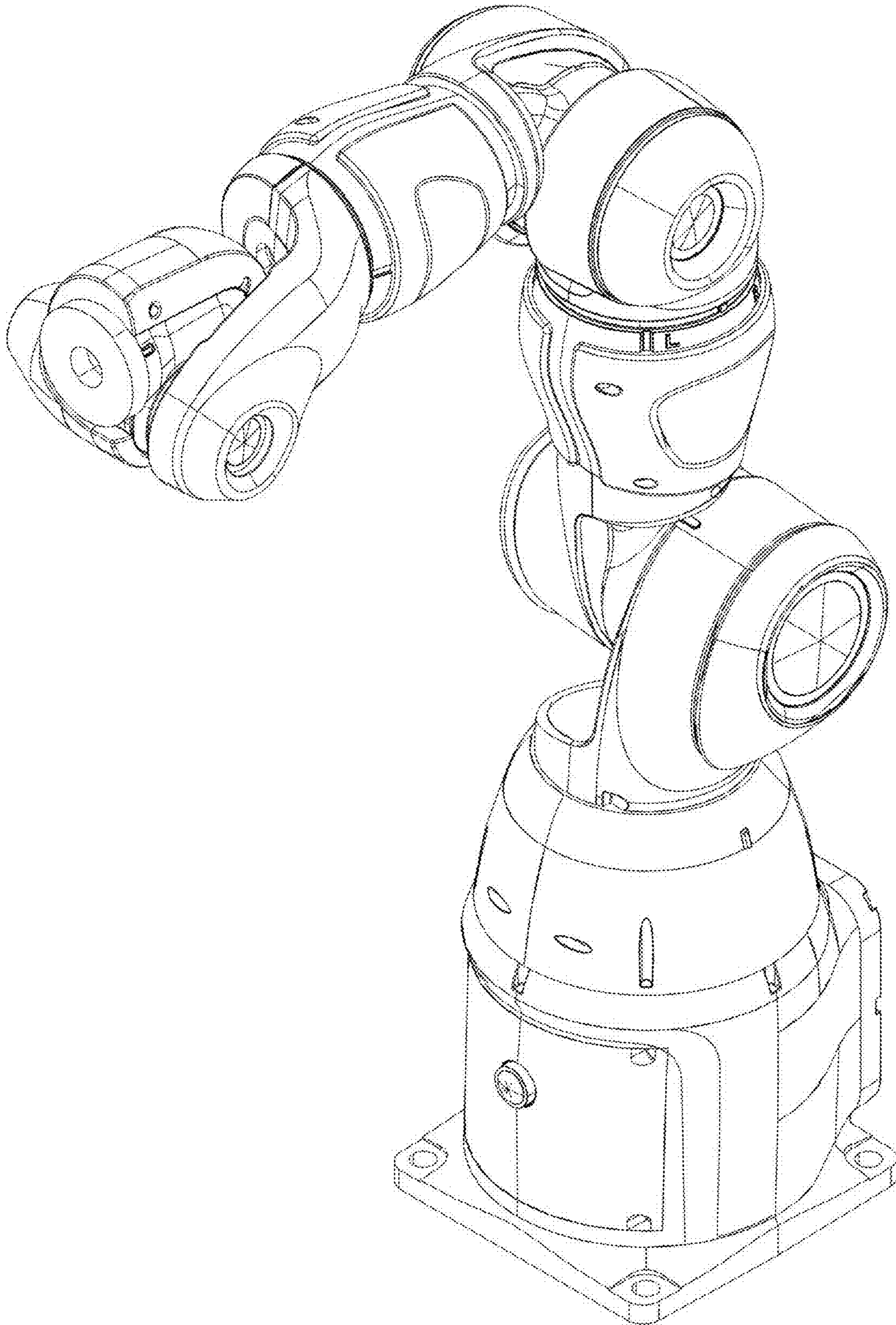


FIGURE 7

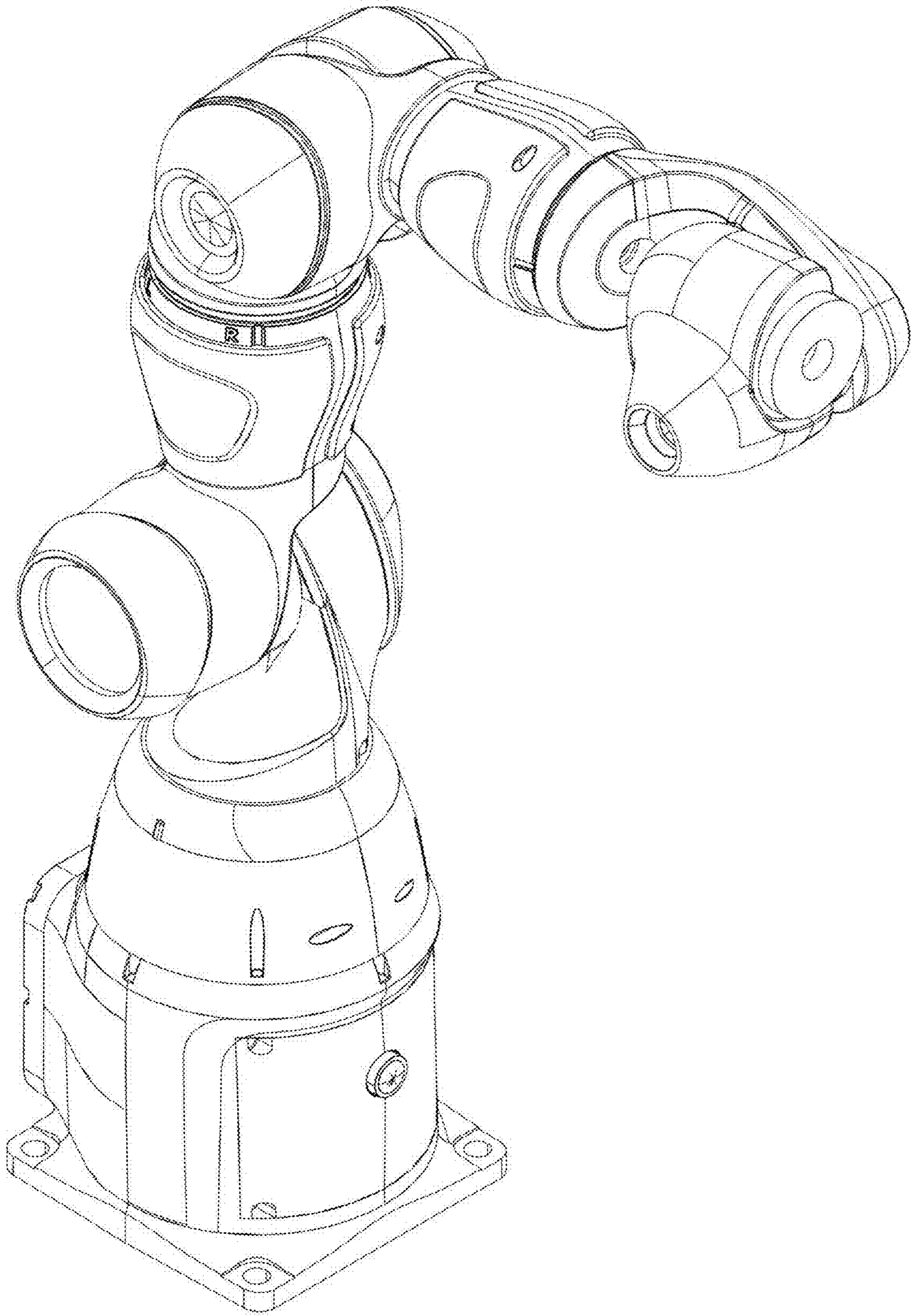


FIGURE 8

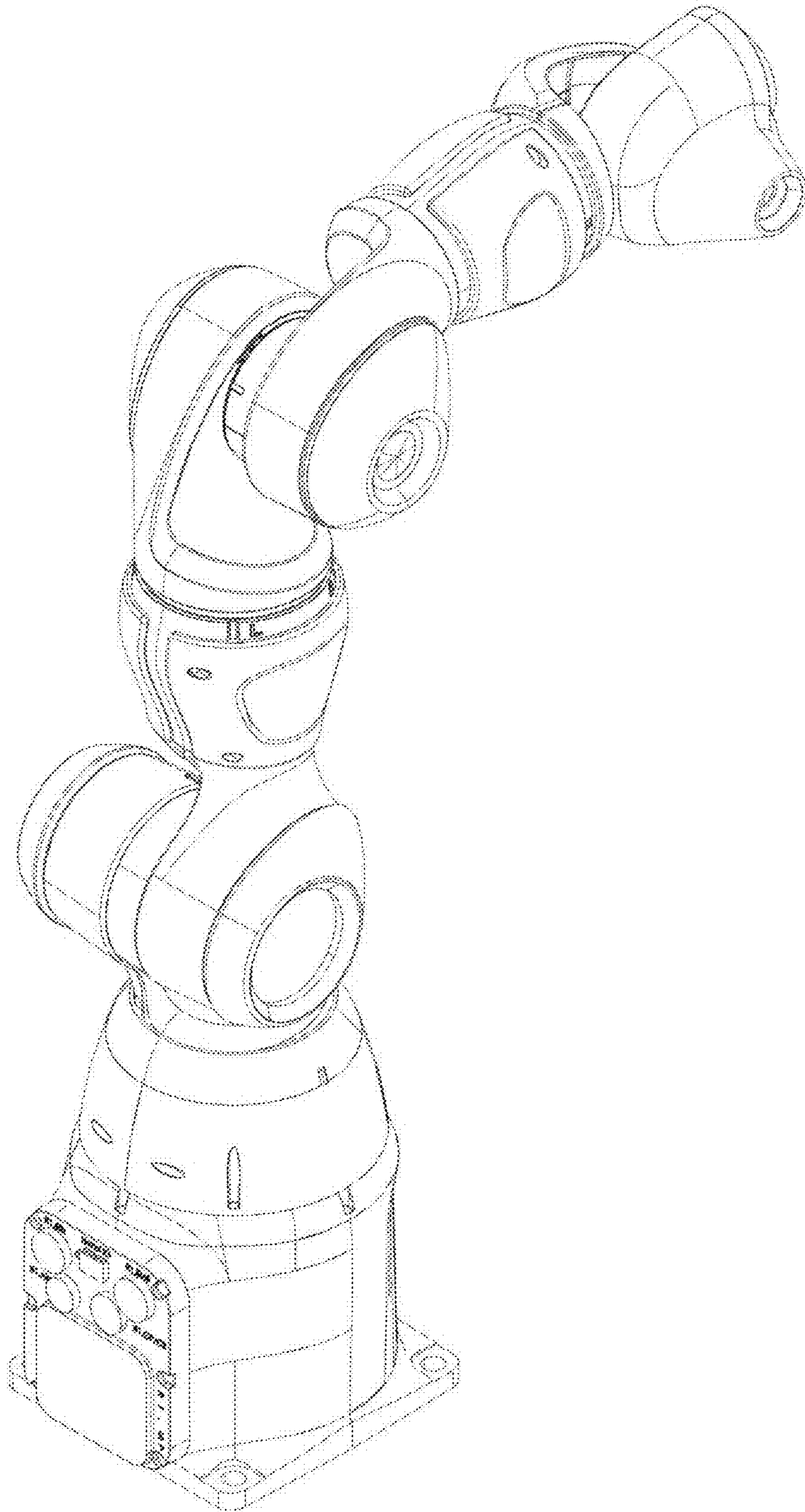


FIGURE 9

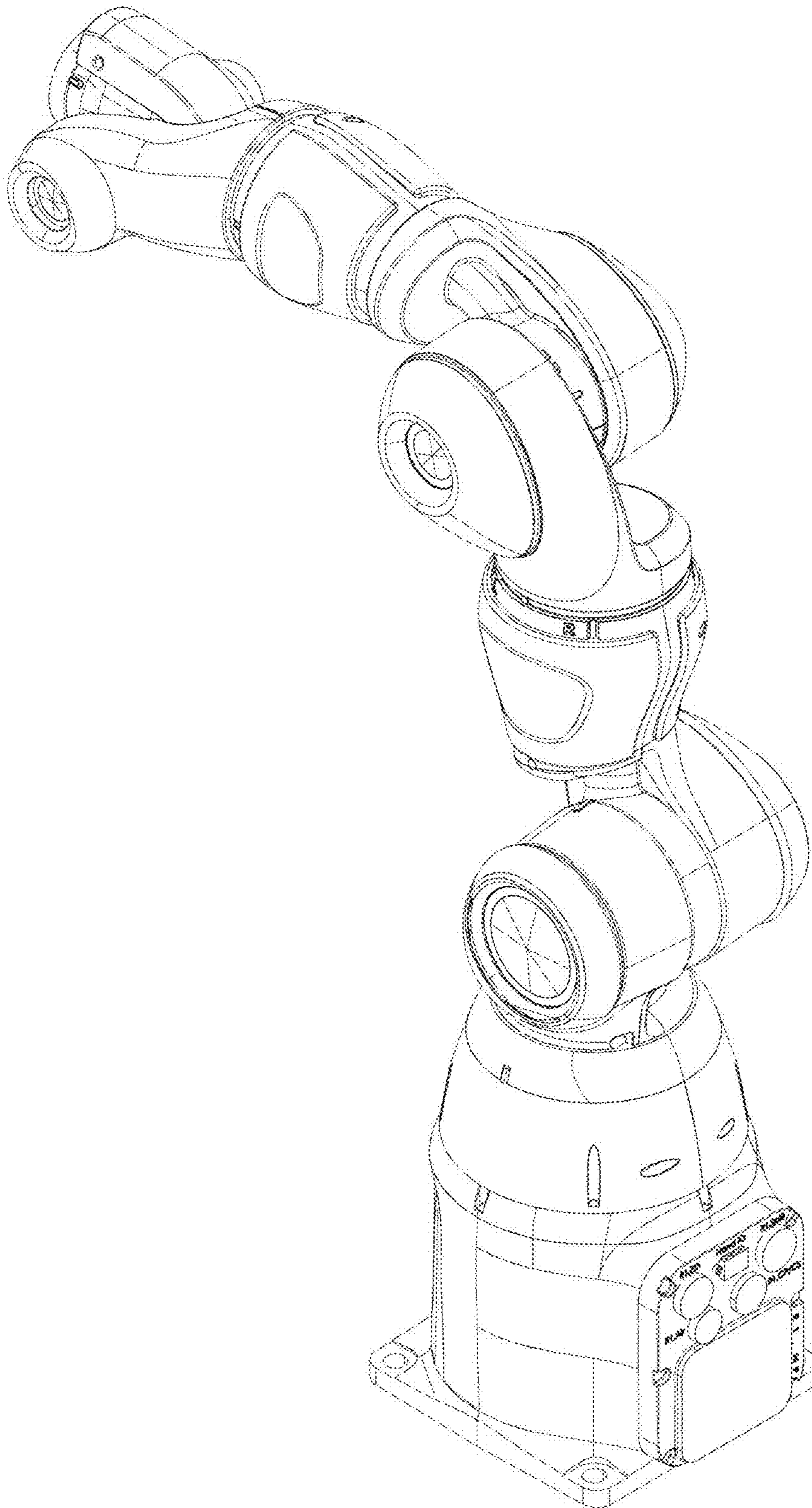


FIGURE 10