



US00D839939S

(12) **United States Design Patent**
Sato

(10) **Patent No.:** **US D839,939 S**

(45) **Date of Patent:** **** Feb. 5, 2019**

(54) **TORQUE LIMITER**

(71) Applicant: **Miki Pulley Co., Ltd.**, Kawasaki-shi,
Kanagawa (JP)

(72) Inventor: **Hideo Sato**, Yamato (JP)

(73) Assignee: **Miki Pulley Co., Ltd.**, Kawasaki-shi,
Kanagawa (JP)

(**) Term: **15 Years**

(21) Appl. No.: **29/576,603**

(22) Filed: **Sep. 6, 2016**

(30) **Foreign Application Priority Data**

Mar. 11, 2016 (JP) 2016-005428

(51) **LOC (11) Cl.** **15-99**

(52) **U.S. Cl.**
USPC **D15/148; D15/149**

(58) **Field of Classification Search**
USPC D8/24, 29.1, 30, 316; D13/123, 133;
D14/349; D15/122-126, 134, 142, 143,
D15/144, 144.1, 144.2, 147-149;
D22/103, 108

CPC F16D 9/00; F16D 43/215; F16D 43/208;
F16D 43/216; F16D 7/025; F16D 7/10;
F16D 2127/005; B64C 13/28

See application file for complete search history.

(56) **References Cited**

U.S. PATENT DOCUMENTS

D460,093 S * 7/2002 Ochiai D15/148
D460,770 S * 7/2002 Ochiai D15/143
D478,603 S * 8/2003 Tsergas D15/148

D490,373 S * 5/2004 Tsergas D13/112
D492,252 S * 6/2004 Su D13/112
9,689,436 B2 * 6/2017 Sato F16D 7/10

* cited by examiner

Primary Examiner — Melanie H Tung

Assistant Examiner — Fritzgerald L Butac

(74) *Attorney, Agent, or Firm* — Marshall & Melhorn,
LLC

(57) **CLAIM**

The ornamental design for a torque limiter, as shown and described.

DESCRIPTION

FIG. 1 is a front, top, and right perspective view of a torque limiter;

FIG. 2 is a front, bottom, and left perspective view thereof;

FIG. 3 is a front view thereof, a back view being a mirror image of the front view;

FIG. 4 is a left side view thereof;

FIG. 5 is a right side view thereof;

FIG. 6 is a top view thereof; and,

FIG. 7 is a bottom view thereof.

The broken lines show portions of a torque limiter that form no part of the claimed design.

1 Claim, 7 Drawing Sheets

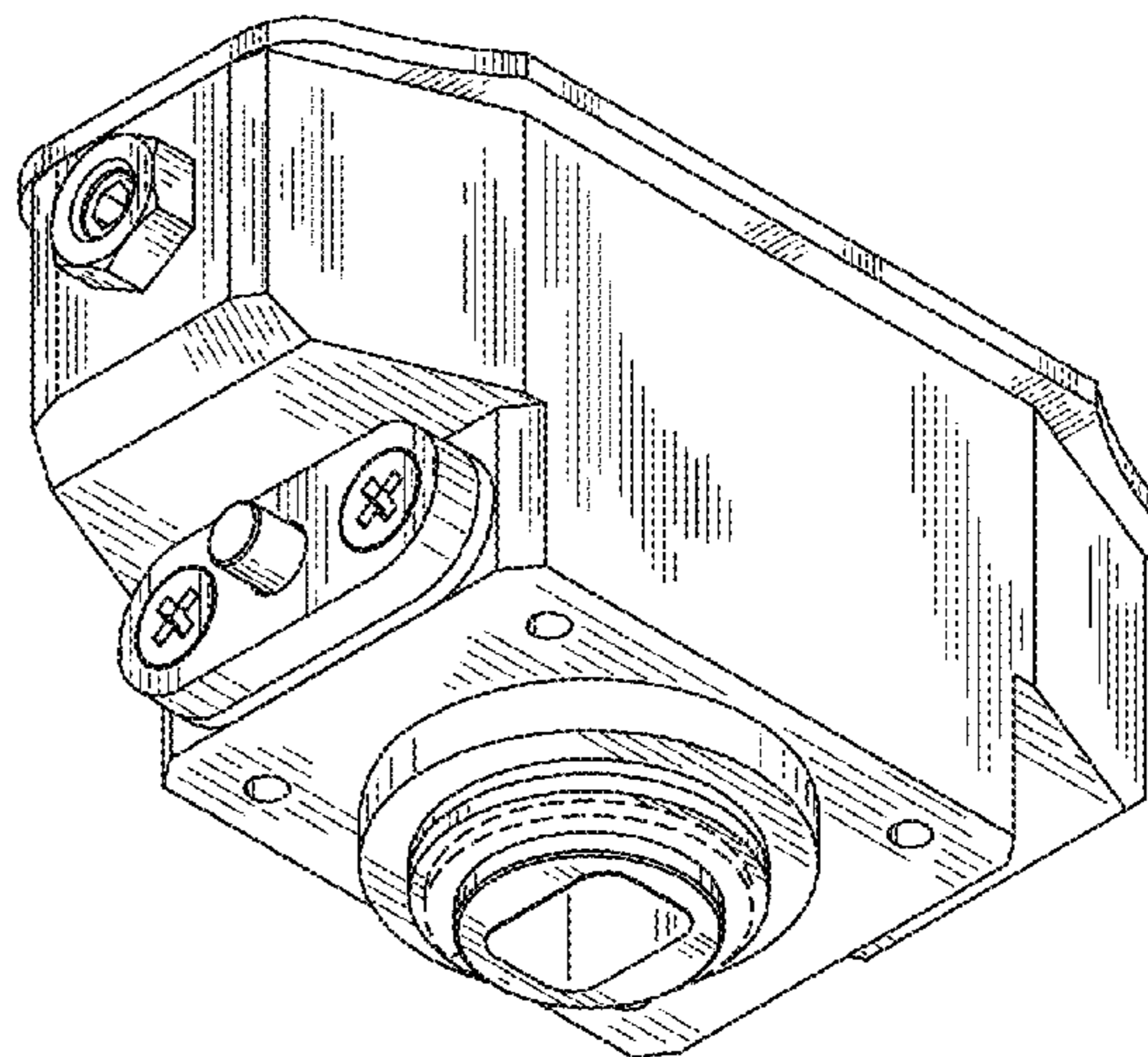
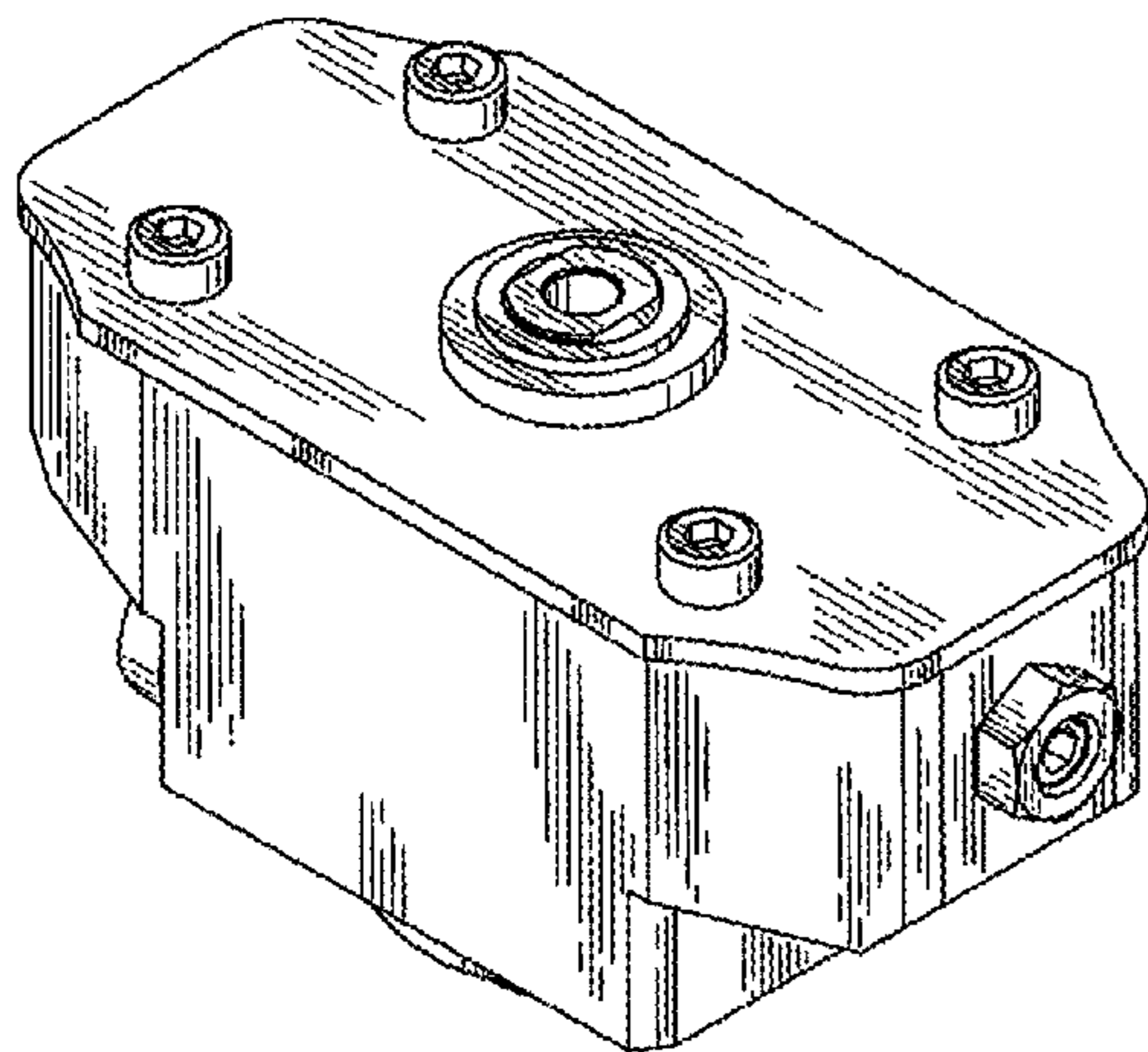


Fig.1

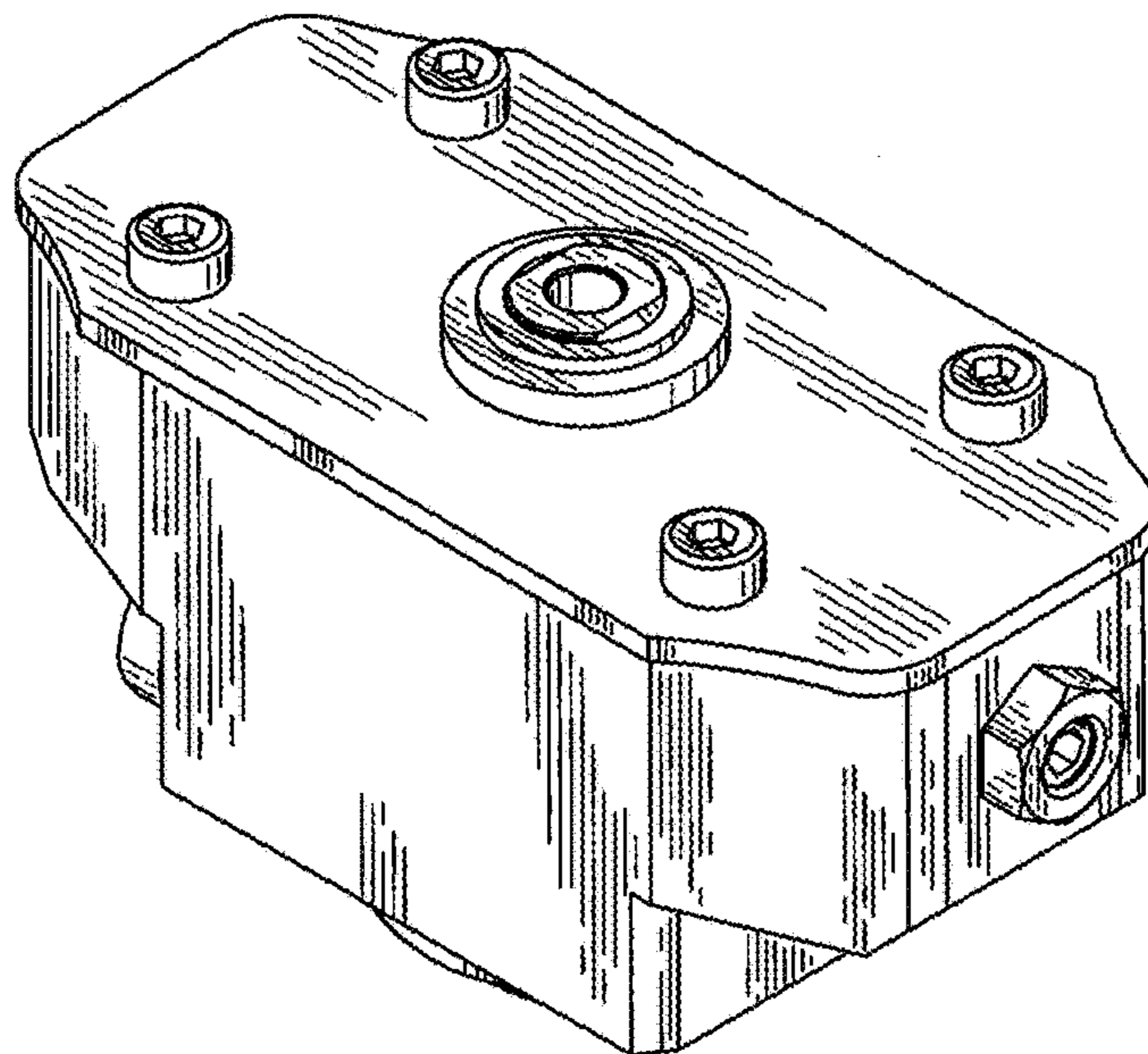


Fig.2

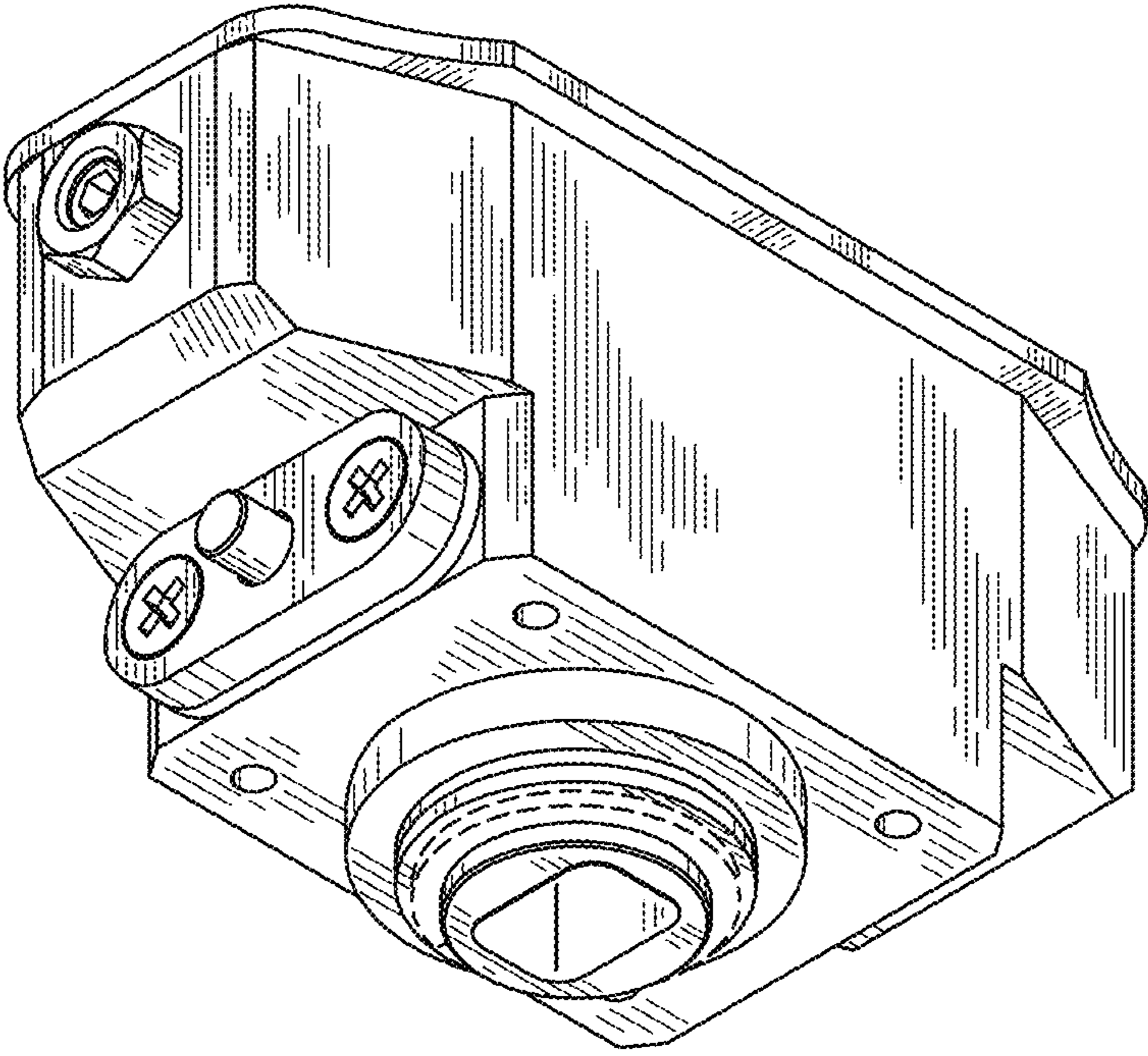


Fig.3

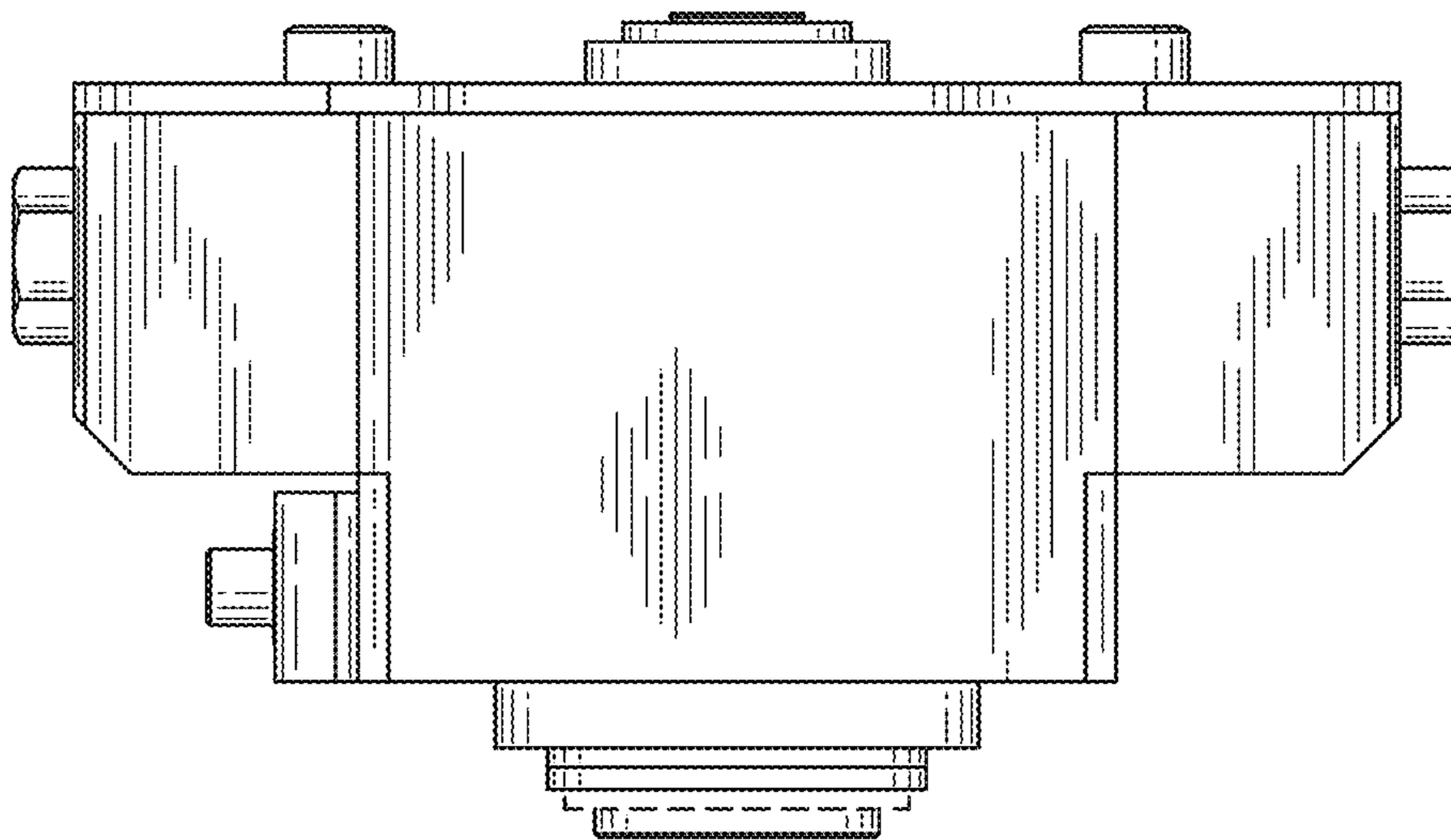


Fig.4

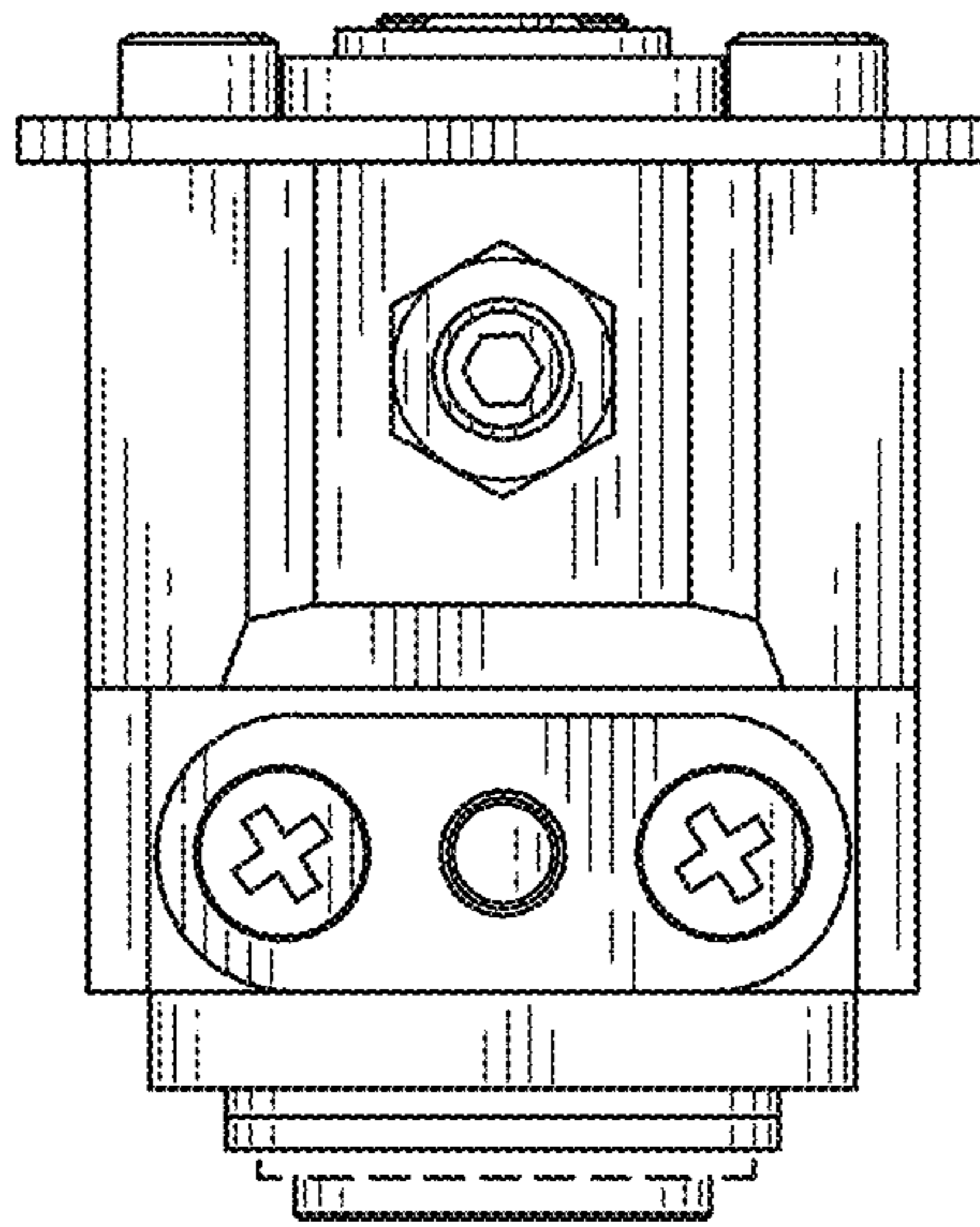


Fig.5

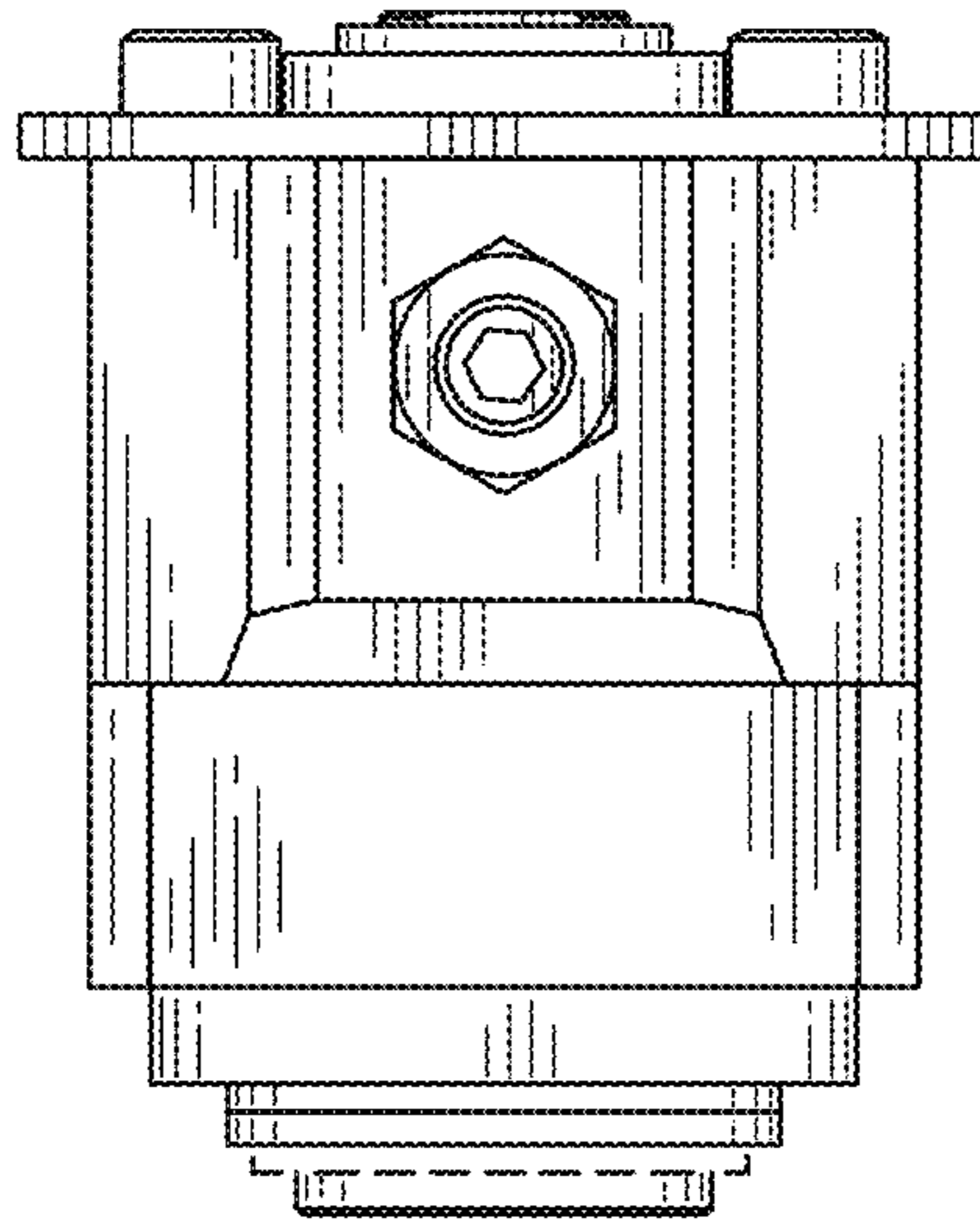


Fig.6

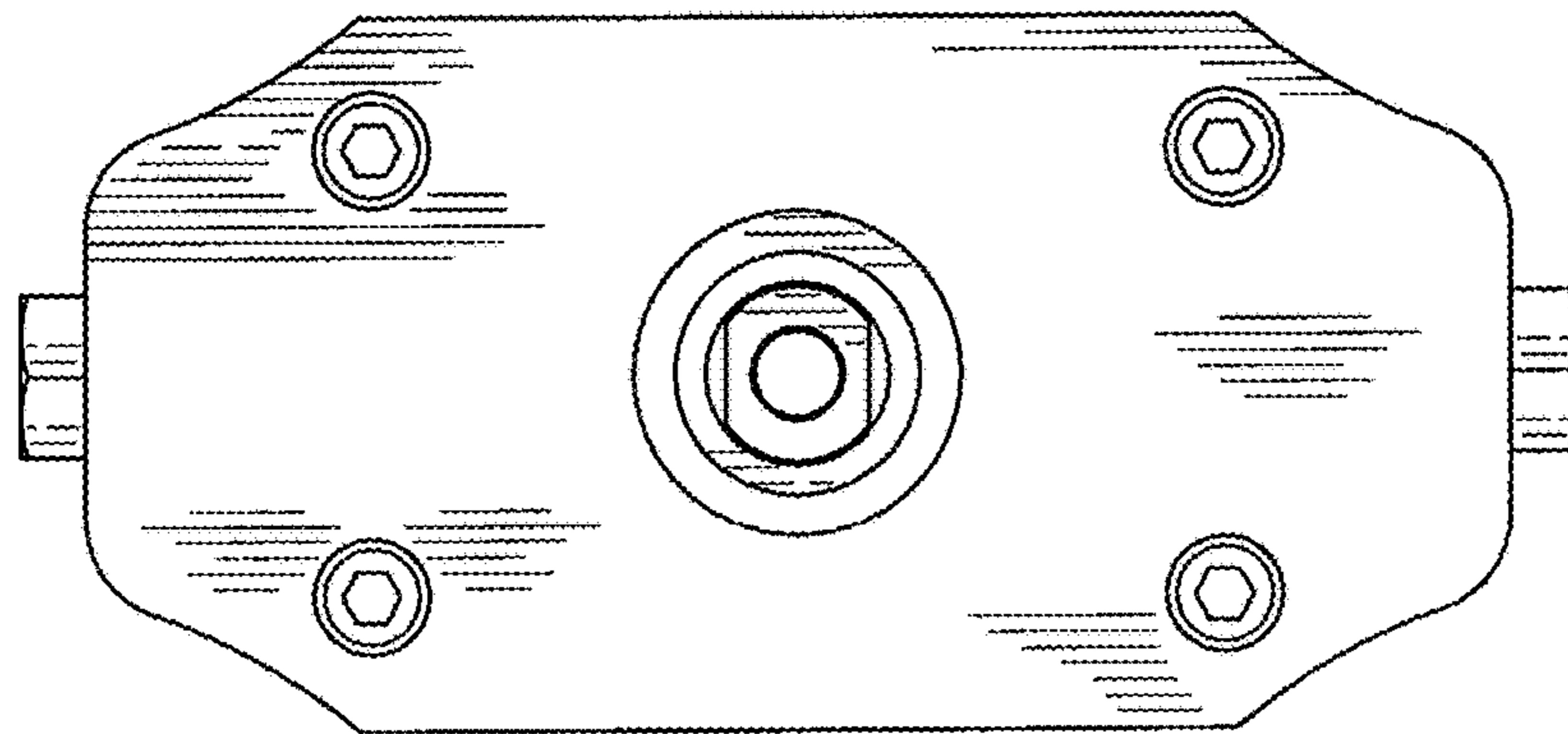


Fig.7

