

US00D839937S

(12) **United States Design Patent**
Zhuang

(10) **Patent No.:** **US D839,937 S**

(45) **Date of Patent:** **** Feb. 5, 2019**

(54) **LINEAR ACTUATOR**

(71) Applicant: **TIMOTION TECHNOLOGY CO., LTD.**, New Taipei (TW)

(72) Inventor: **Bing-Sen Zhuang**, New Taipei (TW)

(73) Assignee: **TIMOTION TECHNOLOGY CO., LTD.**, New Taipei (TW)

(**) Term: **15 Years**

(21) Appl. No.: **29/633,471**

(22) Filed: **Jan. 14, 2018**

(51) **LOC (11) Cl.** **15-09**

(52) **U.S. Cl.**
USPC **D15/143; D15/148**

(58) **Field of Classification Search**
USPC D12/345; D13/107, 110, 118, 158, 162, D13/184; D15/1-9, 143, 148, 149, 199
CPC B66F 3/18; F16H 19/04; F16H 2025/2071; F16H 2025/2084; F16H 2025/2087; F16H 2025/209; F16H 2025/2463; F16H 57/039; Y10T 74/18704; Y10T 74/1896; H01F 7/066

See application file for complete search history.

(56) **References Cited**

U.S. PATENT DOCUMENTS

D523,880 S *	6/2006	Christensen	D15/143
D577,753 S *	9/2008	Lund	D15/143
D595,752 S *	7/2009	Lin	D15/143
D595,753 S *	7/2009	Tseng	D15/143
D596,652 S *	7/2009	Roither	D15/143
D620,961 S *	8/2010	Iversen	D15/143
D621,860 S *	8/2010	Fukano	D13/107
D625,745 S *	10/2010	Chiang	D15/143
D632,321 S *	2/2011	Wu	D15/143
D635,600 S *	4/2011	Wu	D15/143
D646,310 S *	10/2011	Lan	D15/143

D654,524 S *	2/2012	Iversen	D15/199
D686,260 S *	7/2013	Wu	D15/143
D695,799 S *	12/2013	Landerholm	D15/143
D696,704 S *	12/2013	Battistella	D15/143
D705,816 S *	5/2014	Katada	D13/112
D706,304 S *	6/2014	Katada	D13/112
D719,595 S *	12/2014	Landerholm	D15/143
D765,748 S *	9/2016	Bogelund	D15/143
D767,656 S *	9/2016	Wu	D15/143
D776,728 S *	1/2017	Wu	D15/143
D776,729 S *	1/2017	Wu	D15/143
D778,968 S *	2/2017	Luck	D15/143
D784,431 S *	4/2017	Liou	D15/143
D785,061 S *	4/2017	Gong	D15/148
D785,062 S *	4/2017	Gong	D15/148
D785,063 S *	4/2017	Gong	D15/148
D792,490 S *	7/2017	Lin	D15/143
D792,491 S *	7/2017	Lin	D15/143
D792,492 S *	7/2017	Lin	D15/143

(Continued)

Primary Examiner — Melanie H Tung

Assistant Examiner — Fitzgerald L Butac

(74) *Attorney, Agent, or Firm* — Chun-Ming Shih; HDLS IPR Services

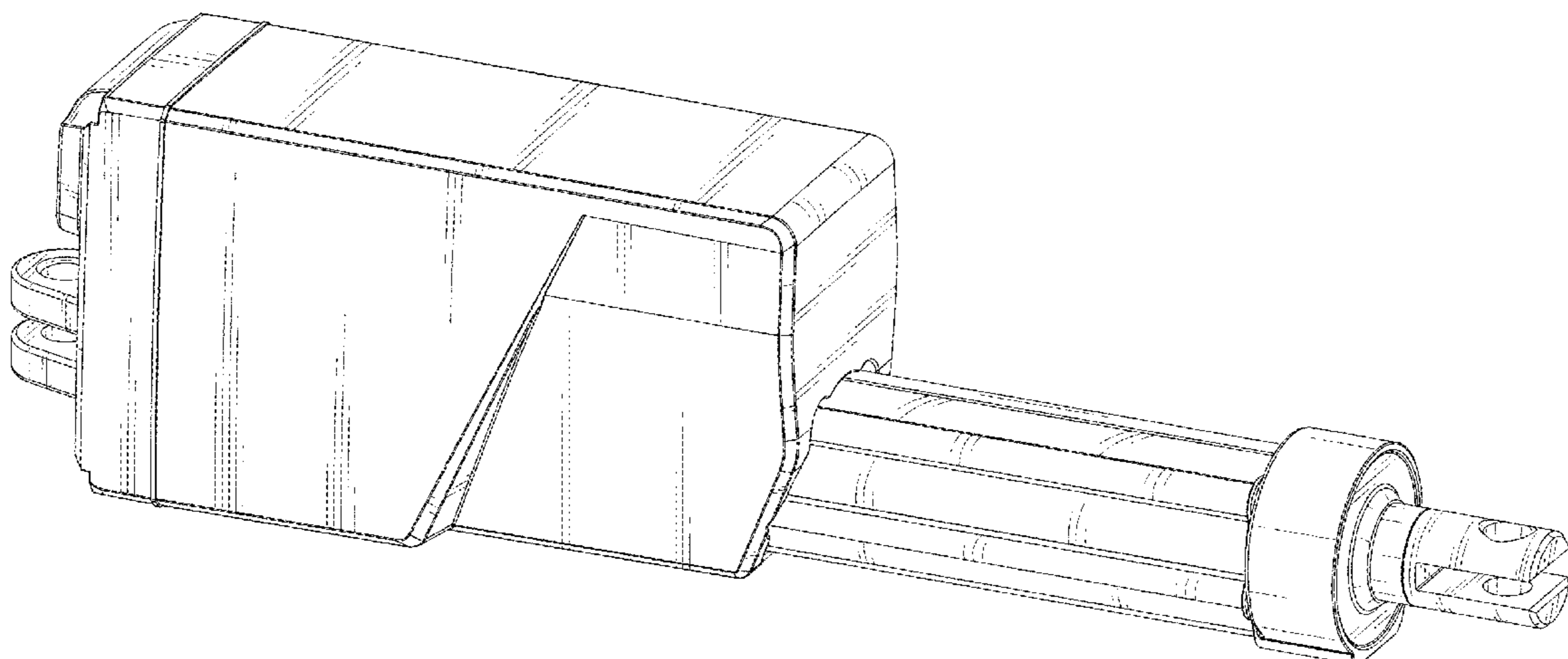
(57) **CLAIM**

The ornamental design for a linear actuator, as shown and described.

DESCRIPTION

FIG. 1 is a perspective view of a linear actuator showing my new design;
FIG. 2 is a front view thereof;
FIG. 3 is a rear view thereof;
FIG. 4 is a left side view thereof;
FIG. 5 is a right side view thereof;
FIG. 6 is a top view thereof;
FIG. 7 is a bottom view thereof; and,
FIG. 8 is second perspective view showing the linear actuator.

1 Claim, 8 Drawing Sheets



(56)

References Cited

U.S. PATENT DOCUMENTS

D794,559 S *	8/2017	Schroedel	D13/112
D794,560 S *	8/2017	Schroedel	D13/112
D800,195 S *	10/2017	Lin	D15/148
D806,151 S *	12/2017	Landerholm	D15/143
D806,153 S *	12/2017	Skov	D15/148
D809,038 S *	1/2018	Zhuang	D15/148
D819,100 S *	5/2018	Lin	D15/148
D821,471 S *	6/2018	Zhuang	D15/148
2005/0160846 A1 *	7/2005	Chiang	F16H 25/20 74/89.35

* cited by examiner

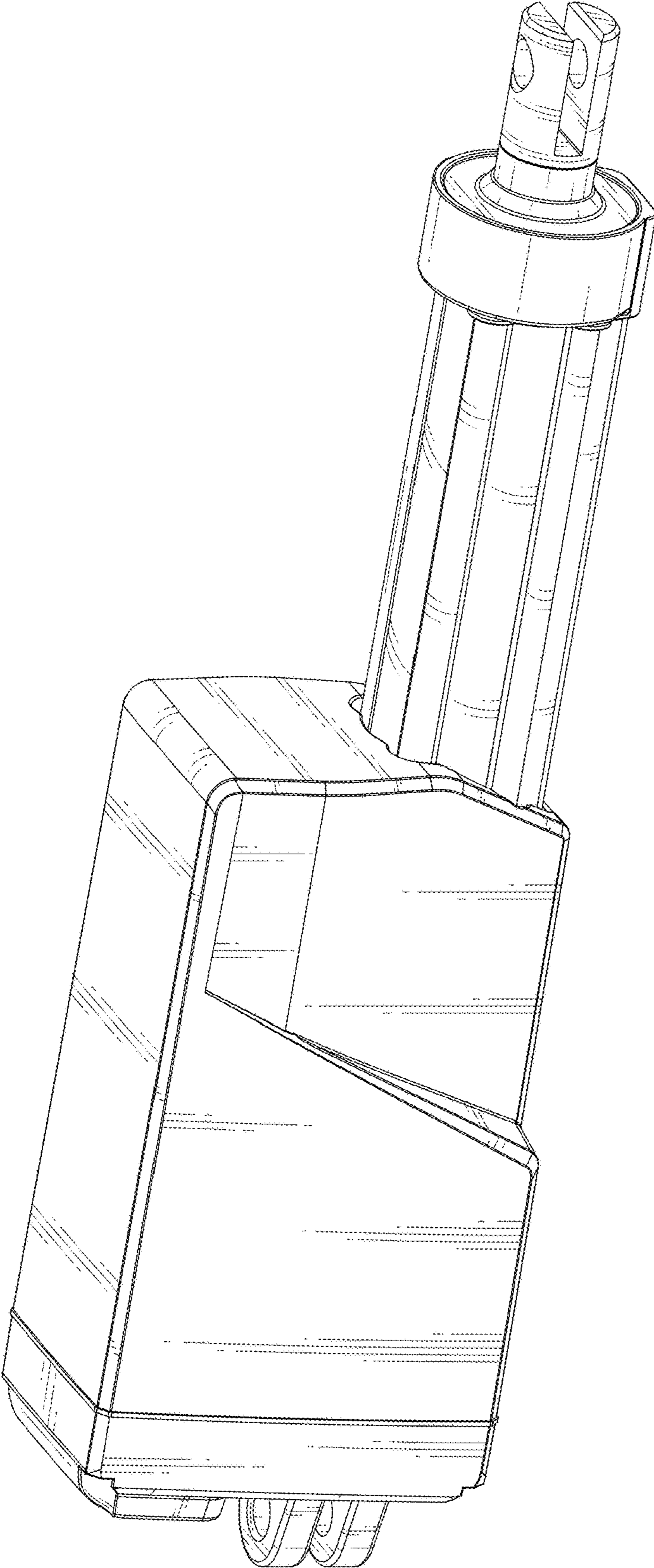


FIG.1

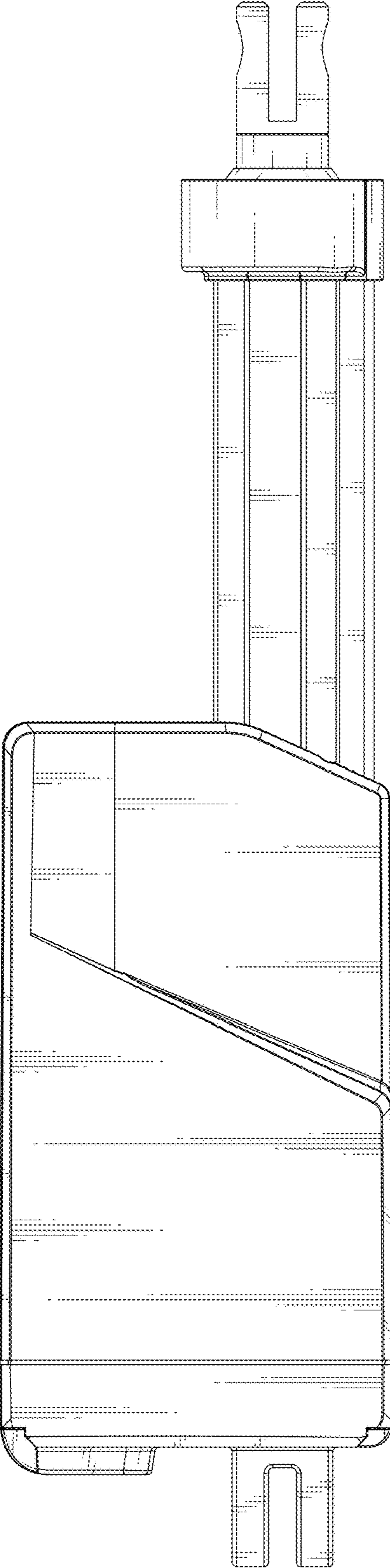


FIG.2

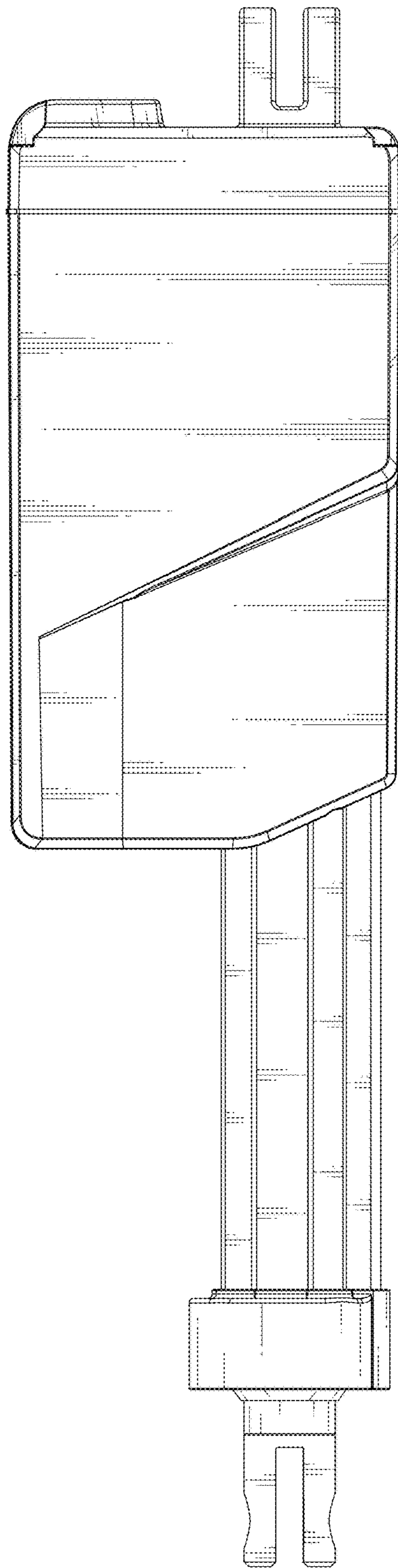


FIG.3

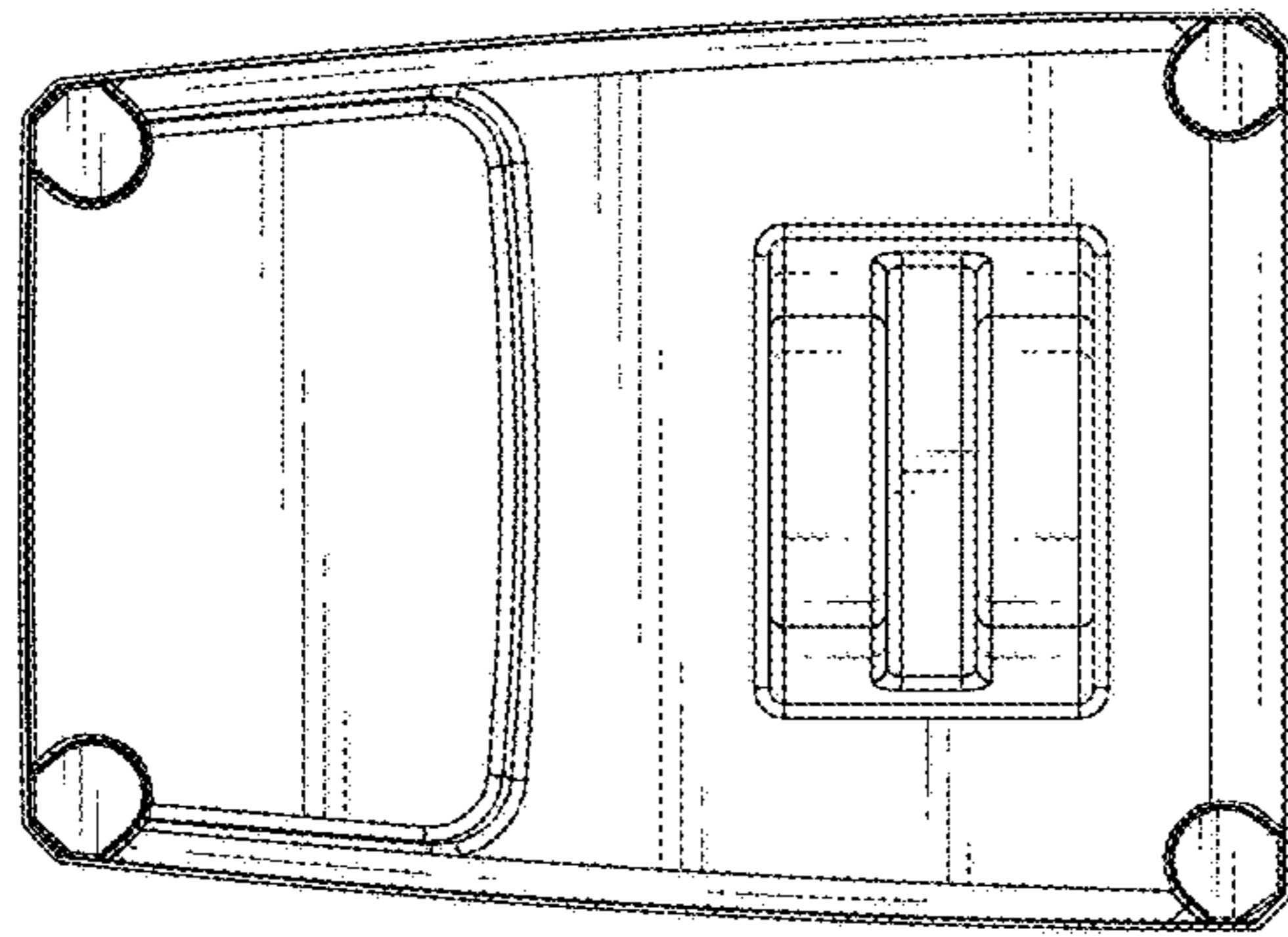


FIG.4

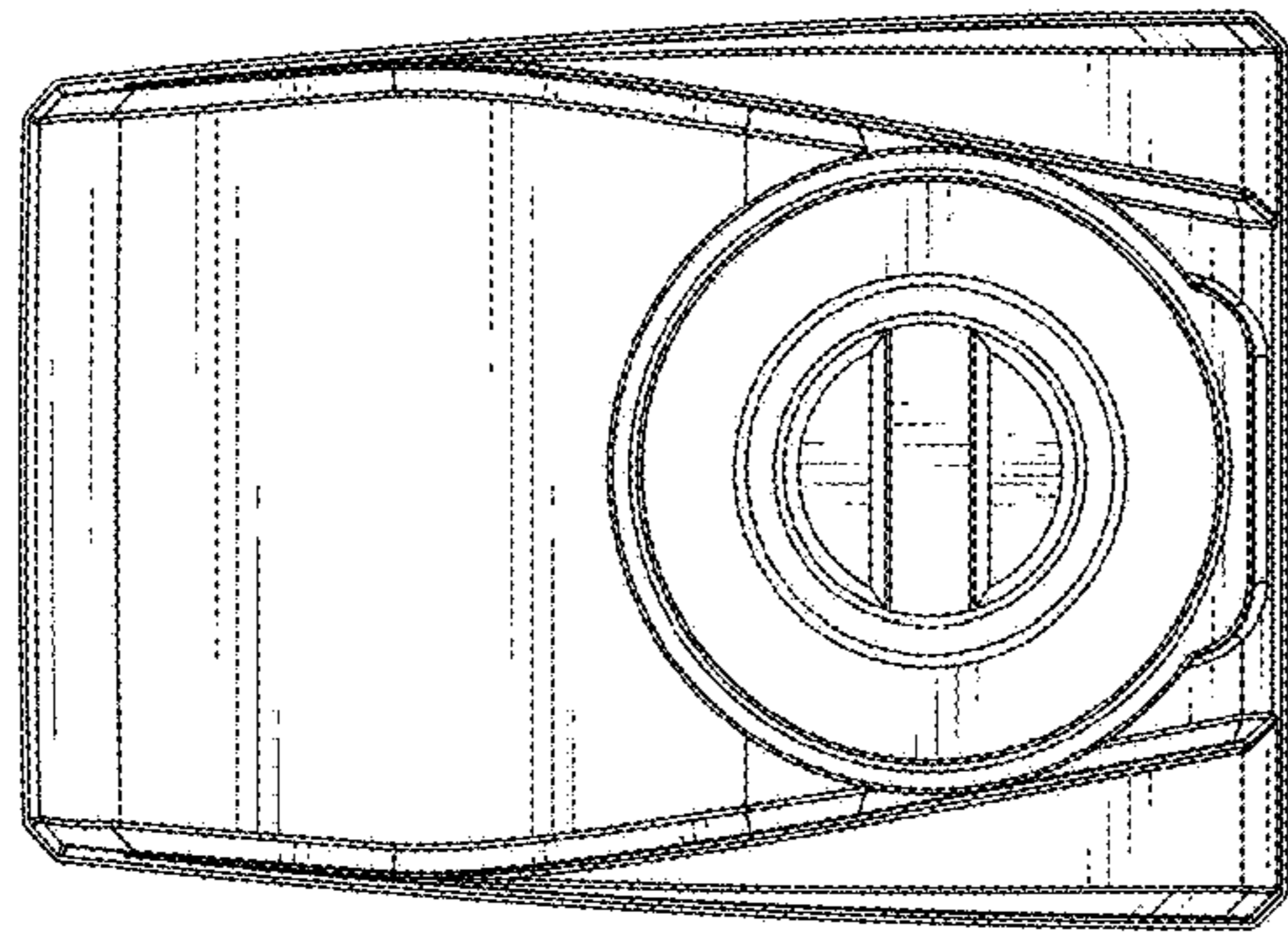


FIG.5

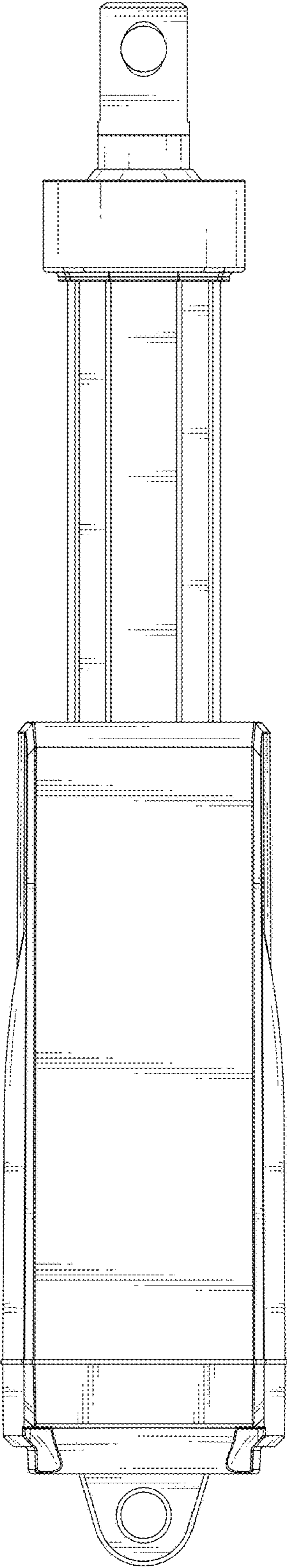


FIG. 6

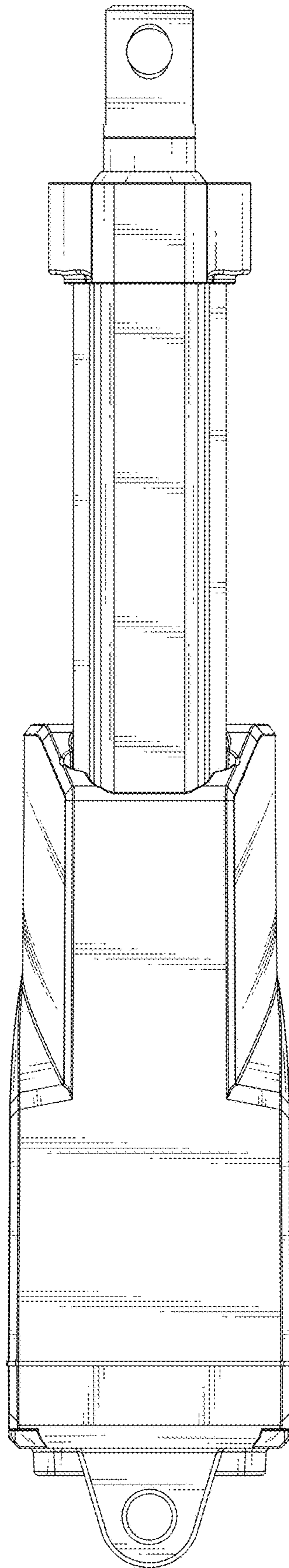


FIG. 7

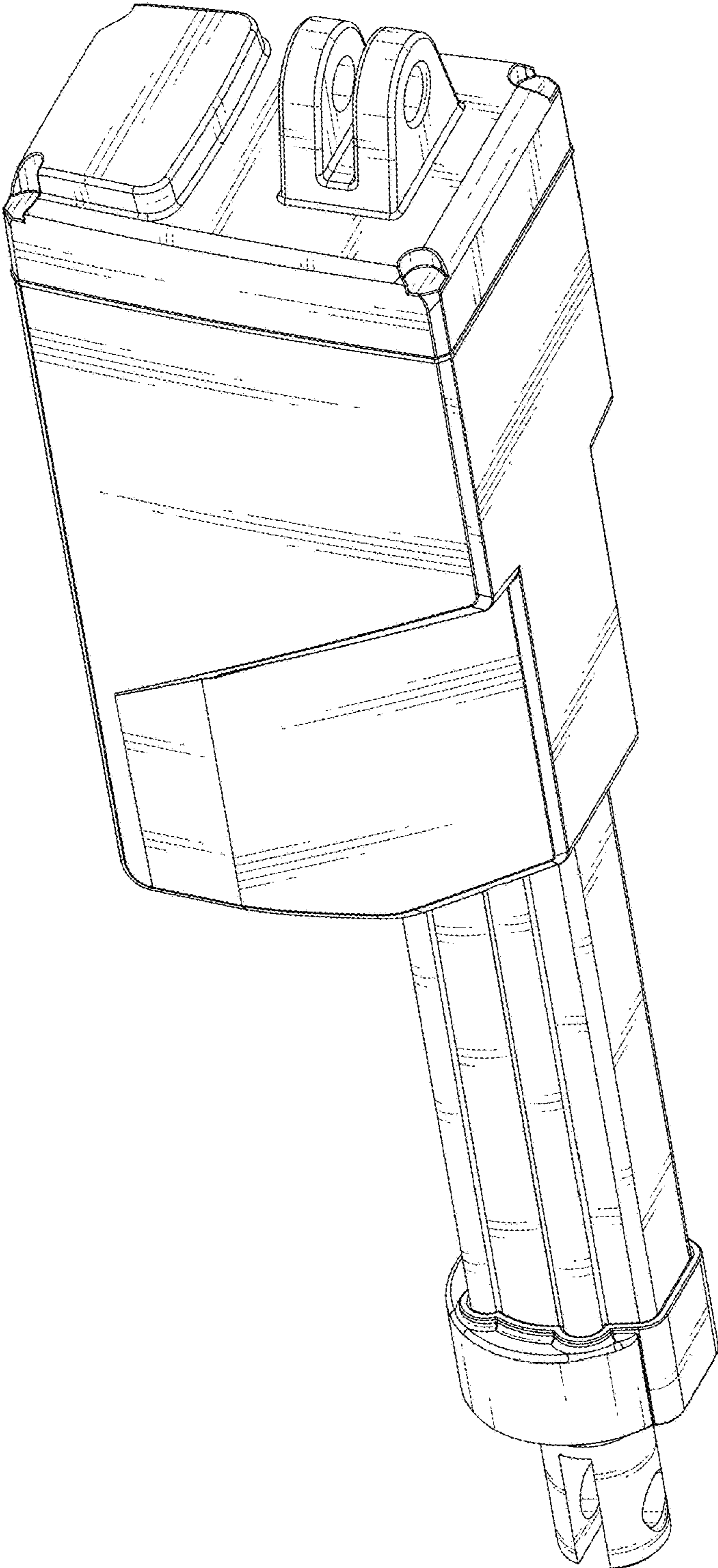


FIG.8