

US00D839936S

(12) **United States Design Patent** (10) **Patent No.:** **US D839,936 S**  
**Weber et al.** (45) **Date of Patent:** **\*\* \*Feb. 5, 2019**

(54) **CUTTING INSERT AND BOLSTER**

(71) Applicant: **Kennametal Inc.**, Latrobe, PA (US)

(72) Inventors: **Luke A. Weber**, Hollidaysburg, PA (US); **Brandon J. Kenno**, Windber, PA (US); **Nicholas J. Paros**, Johnstown, PA (US)

(73) Assignee: **KENNAMETAL INC.**, Latrobe, PA (US)

(\*) Notice: This patent is subject to a terminal disclaimer.

(\*\*) Term: **15 Years**

(21) Appl. No.: **29/565,804**

(22) Filed: **May 24, 2016**

(51) **LOC (11) Cl.** ..... **15-09**

(52) **U.S. Cl.**  
USPC ..... **D15/139**

(58) **Field of Classification Search**  
USPC ..... D7/693, 394, 372, 376, 378, 381, 383, D7/384, 385; D8/20, 23, 25, 41, 47, 54, D8/55, 58, 61, 64, 66, 70, 86, 98, 99, D8/352, 366, 376, 387, 397; D15/19, 21, D15/29, 121, 131, 132, 133, 138, 139, D15/140  
CPC .... B25D 3/00; B25D 17/02; B25D 2250/111; B25D 2211/003; B25D 16/00; E21B 10/52; E21B 10/16; E21B 10/567; C03B 23/047; C03B 23/0496  
See application file for complete search history.

(56) **References Cited**

**U.S. PATENT DOCUMENTS**

3,397,012 A 8/1968 Krekeler  
4,397,362 A \* 8/1983 Dice ..... E21B 10/42  
175/393

4,850,649 A 7/1989 Beach et al.  
4,886,710 A 12/1989 Greenfield  
4,944,559 A 7/1990 Sionnet  
5,141,289 A 8/1992 Stiffier  
5,161,627 A 11/1992 Burkett  
5,324,098 A 6/1994 Massa  
5,421,423 A 6/1995 Huffstutler  
D387,072 S \* 12/1997 Ojanen ..... D15/139  
5,702,160 A \* 12/1997 Levankovskii ..... E21C 35/183  
299/111  
6,375,272 B1 4/2002 Ojanen  
6,644,755 B1 \* 11/2003 Kammerer ..... B28D 1/188  
299/104  
D490,286 S \* 5/2004 Simons ..... D8/41  
7,396,086 B1 7/2008 Hall  
(Continued)

**OTHER PUBLICATIONS**

<https://www.kennametal.com/en/products/17442915/100028950.html>—Retrieved Jun. 1, 2017.\*

(Continued)

*Primary Examiner* — Manpreet S Matharu

*Assistant Examiner* — Mojtaba Tehrani

(74) *Attorney, Agent, or Firm* — Ian K. Samways

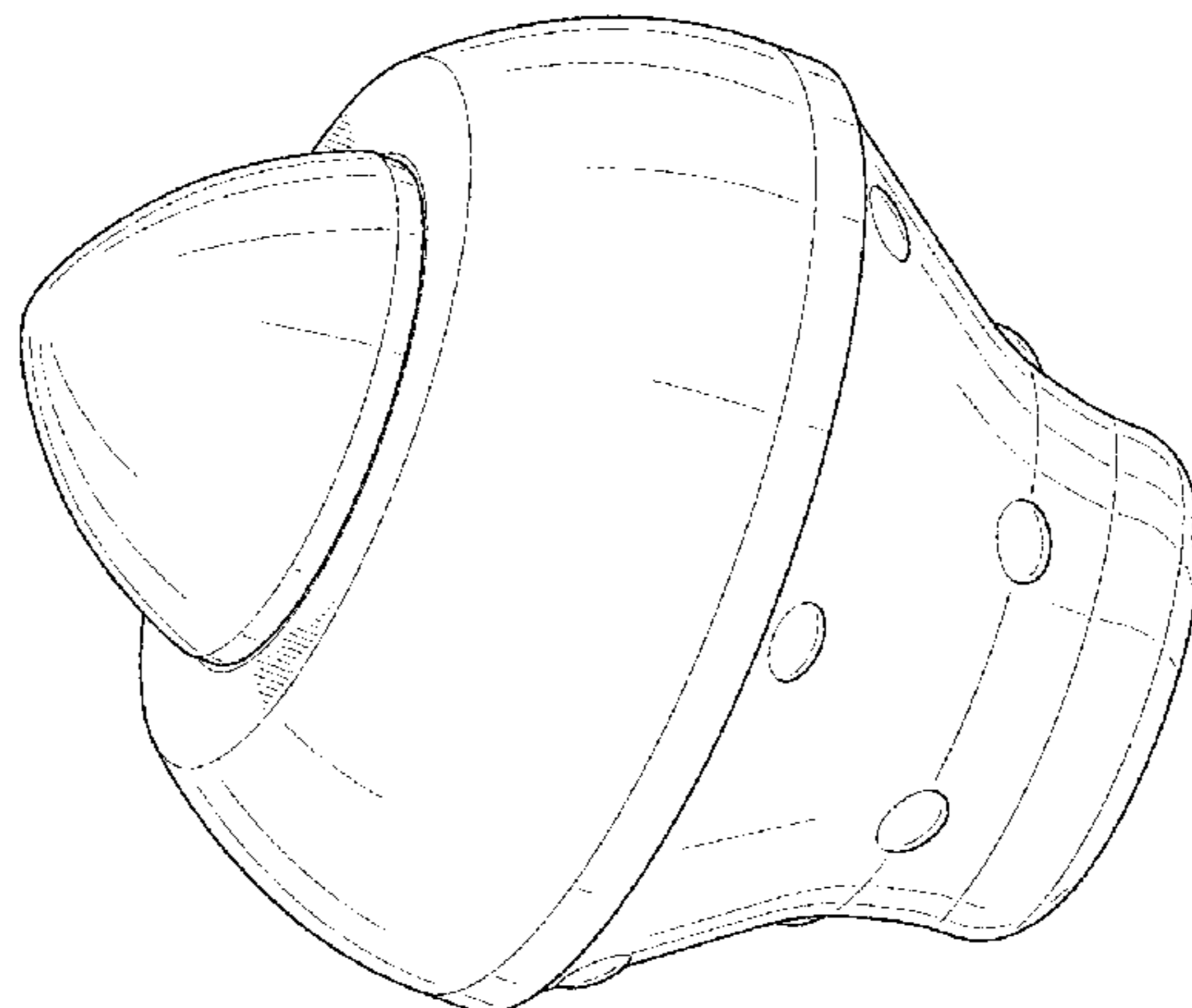
(57) **CLAIM**

We claim the ornamental design for a cutting insert and bolster, as shown and described.

**DESCRIPTION**

FIG. 1 is an isometric view from above of a cutting insert and bolster showing our new design; FIG. 2 is a side view thereof; FIG. 3 is another side view thereof; FIG. 4 is a top view thereof; and, FIG. 5 is a bottom view thereof. The broken line in the figure drawings represents an unclaimed portion of the design that forms no part of the claimed design.

**1 Claim, 3 Drawing Sheets**



(56)

References Cited

U.S. PATENT DOCUMENTS

7,419,224 B2 \* 9/2008 Hall ..... E21C 35/183  
299/104  
D627,804 S \* 11/2010 Fader ..... D15/139  
D627,808 S \* 11/2010 Kammerer ..... D15/139  
D627,809 S \* 11/2010 Kammerer ..... D15/139  
D636,797 S \* 4/2011 Kammerer ..... D15/139  
D637,213 S \* 5/2011 Kammerer ..... D15/139  
8,028,774 B2 10/2011 Hall  
8,250,786 B2 \* 8/2012 Hall ..... E02F 3/06  
37/465  
D692,039 S \* 10/2013 Buhr ..... D15/140  
D707,269 S \* 6/2014 Meier ..... D15/123  
D707,270 S \* 6/2014 Meier ..... D15/123  
8,931,854 B2 1/2015 Hall  
2003/0209366 A1 11/2003 McAlvain  
2004/0026132 A1 \* 2/2004 Hall ..... E21C 35/183  
175/427  
2004/0065484 A1 \* 4/2004 McAlvain ..... E21C 35/183  
175/434  
2007/0040442 A1 \* 2/2007 Weaver ..... E21C 35/183  
299/106  
2008/0315667 A1 12/2008 Hall

2010/0194177 A1 \* 8/2010 Woehrstein ..... B28D 1/188  
299/104  
2010/0206641 A1 8/2010 Hall et al.  
2010/0263939 A1 10/2010 Hall et al.  
2010/0295360 A1 \* 11/2010 Kramer ..... E21C 35/197  
299/110  
2011/0080037 A1 4/2011 Kelly et al.  
2011/0175430 A1 7/2011 Heiderich  
2012/0049608 A1 \* 3/2012 Ritchey ..... E21C 35/197  
299/104  
2012/0068528 A1 3/2012 Grief  
2012/0146390 A1 6/2012 Flynn et al.  
2012/0242136 A1 9/2012 Ojanen  
2013/0207445 A1 8/2013 Bell  
2014/0054951 A1 2/2014 Bookhamer  
2014/0262541 A1 9/2014 Parsana  
2015/0198040 A1 7/2015 Voitc  
2017/0043452 A1 2/2017 Daniels

OTHER PUBLICATIONS

<https://www.kennametal.com/hi/products/18934469/surface-mining/cutting-tools.html>—Retrieved Jun. 1, 2017.\*  
<http://srpicks.com/ProductLists.asp?SortID=103&parentid=103>—  
Retrieved Jun. 1, 2017.\*

\* cited by examiner

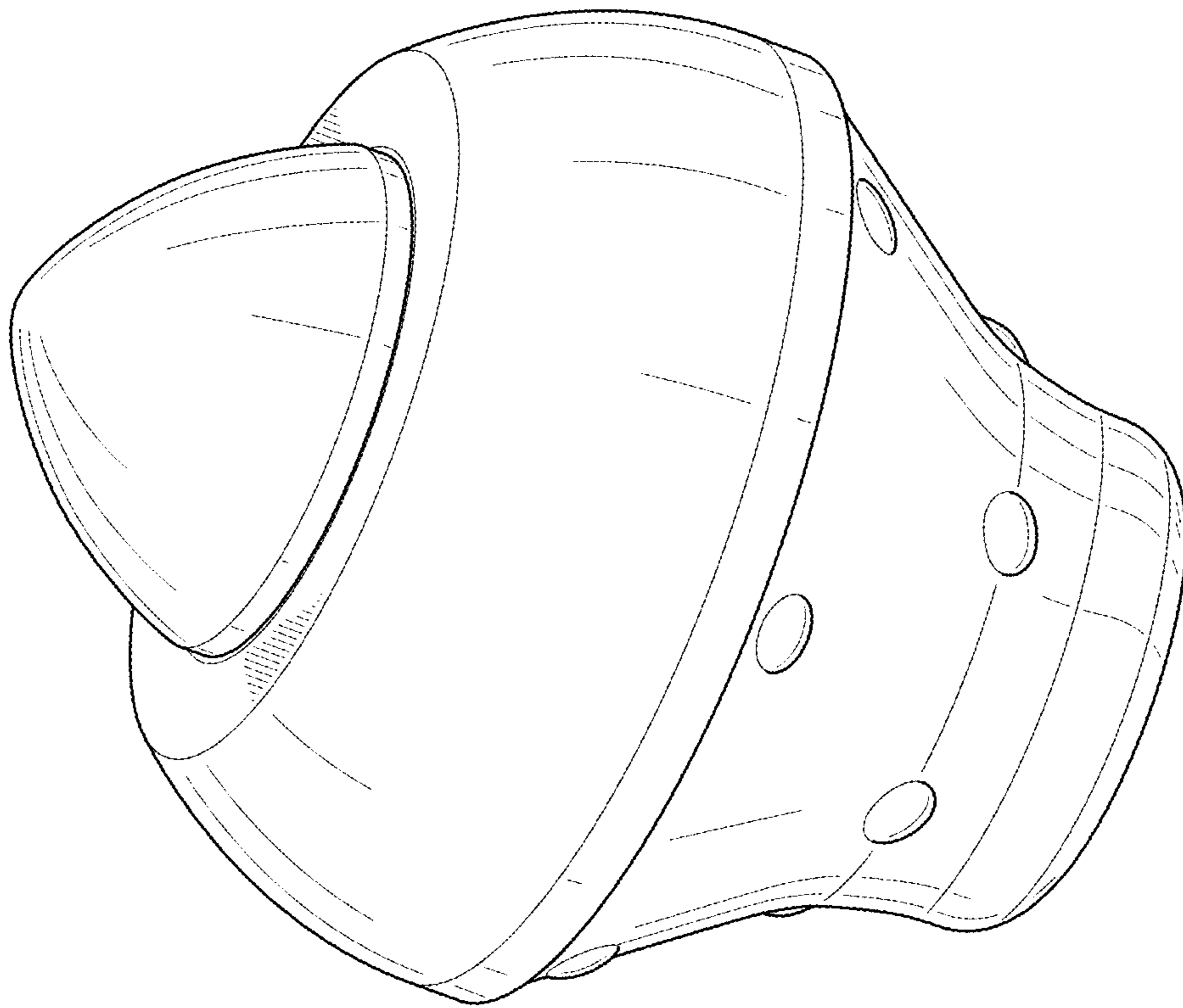


FIG. 1

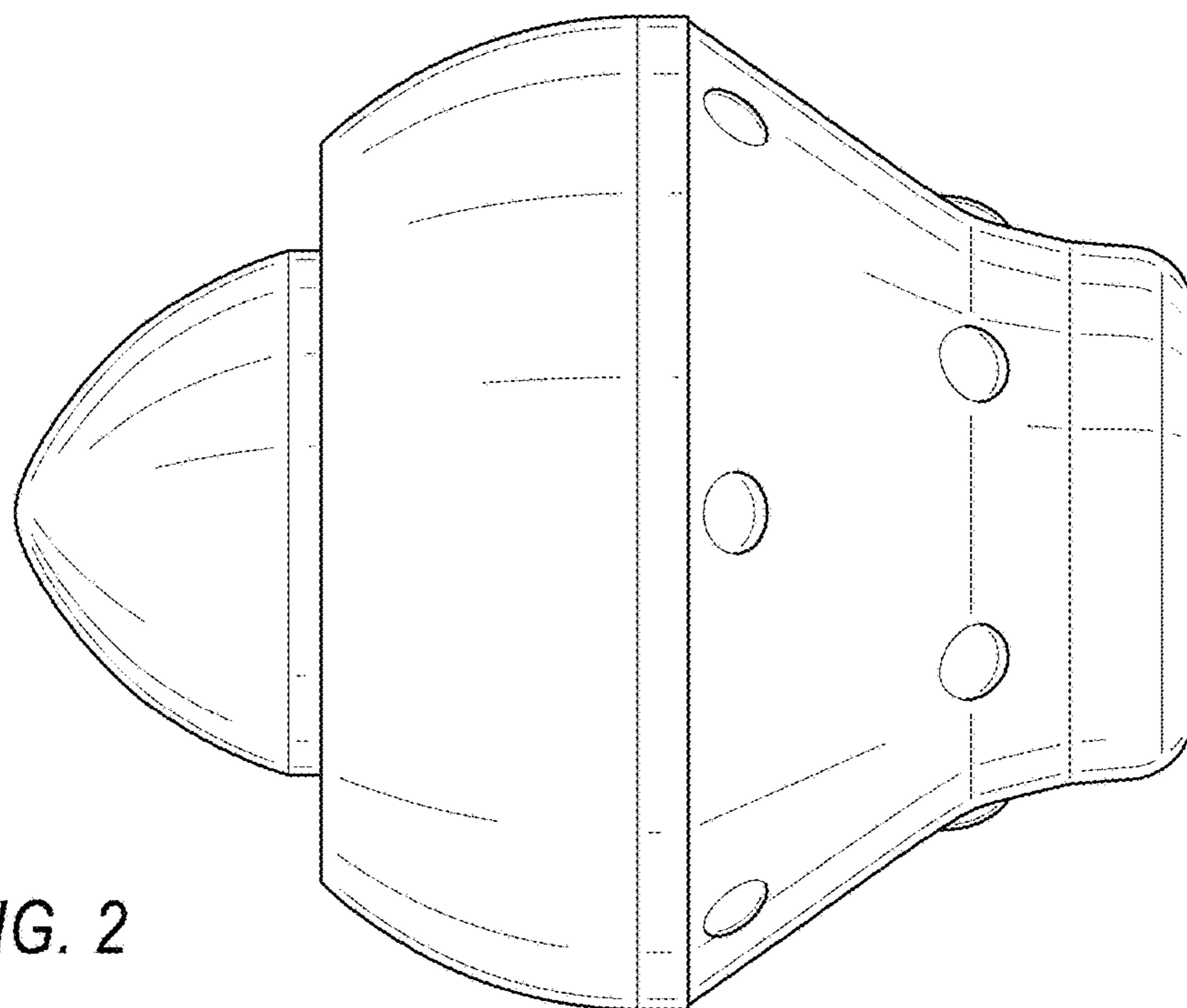


FIG. 2

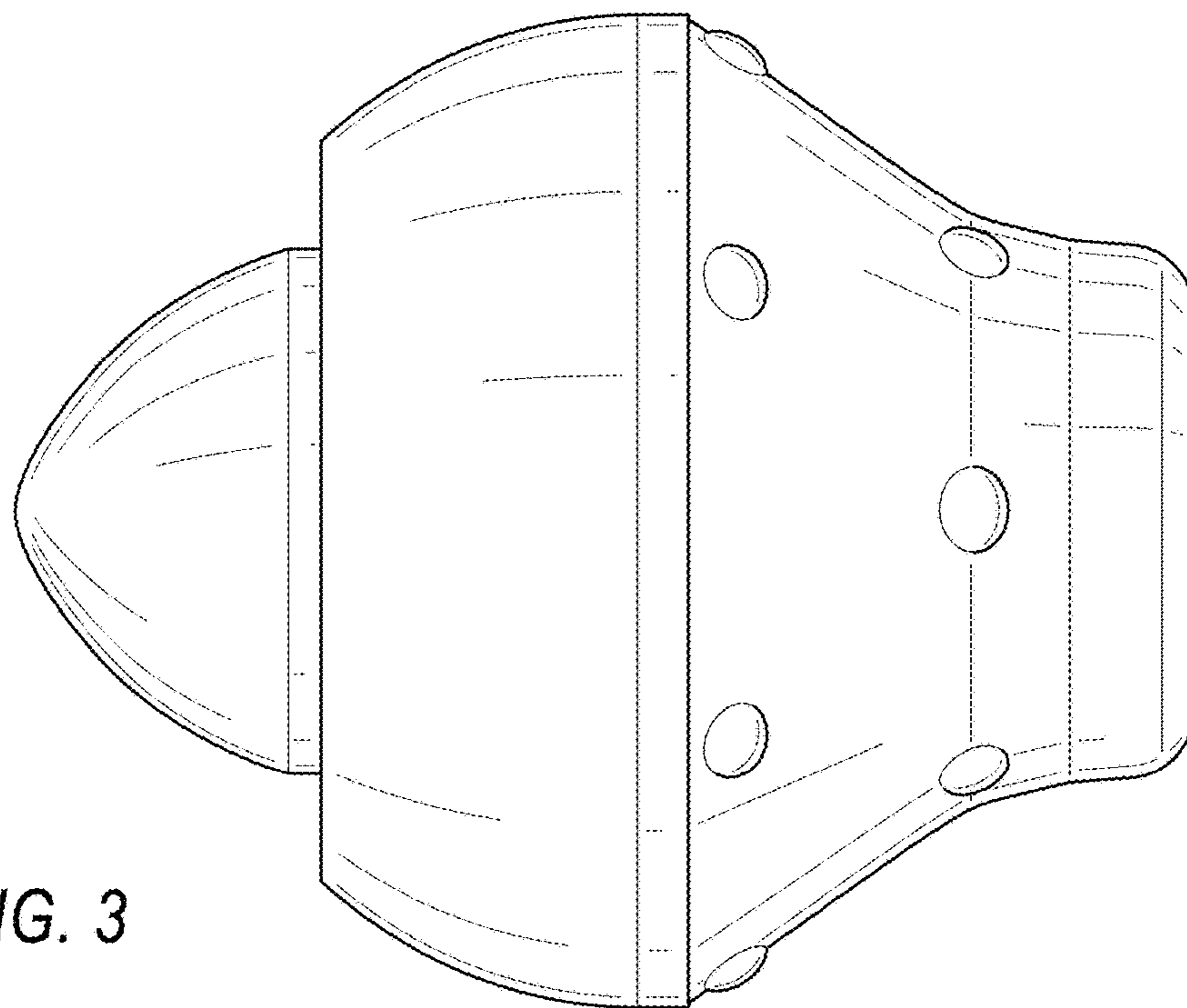


FIG. 3



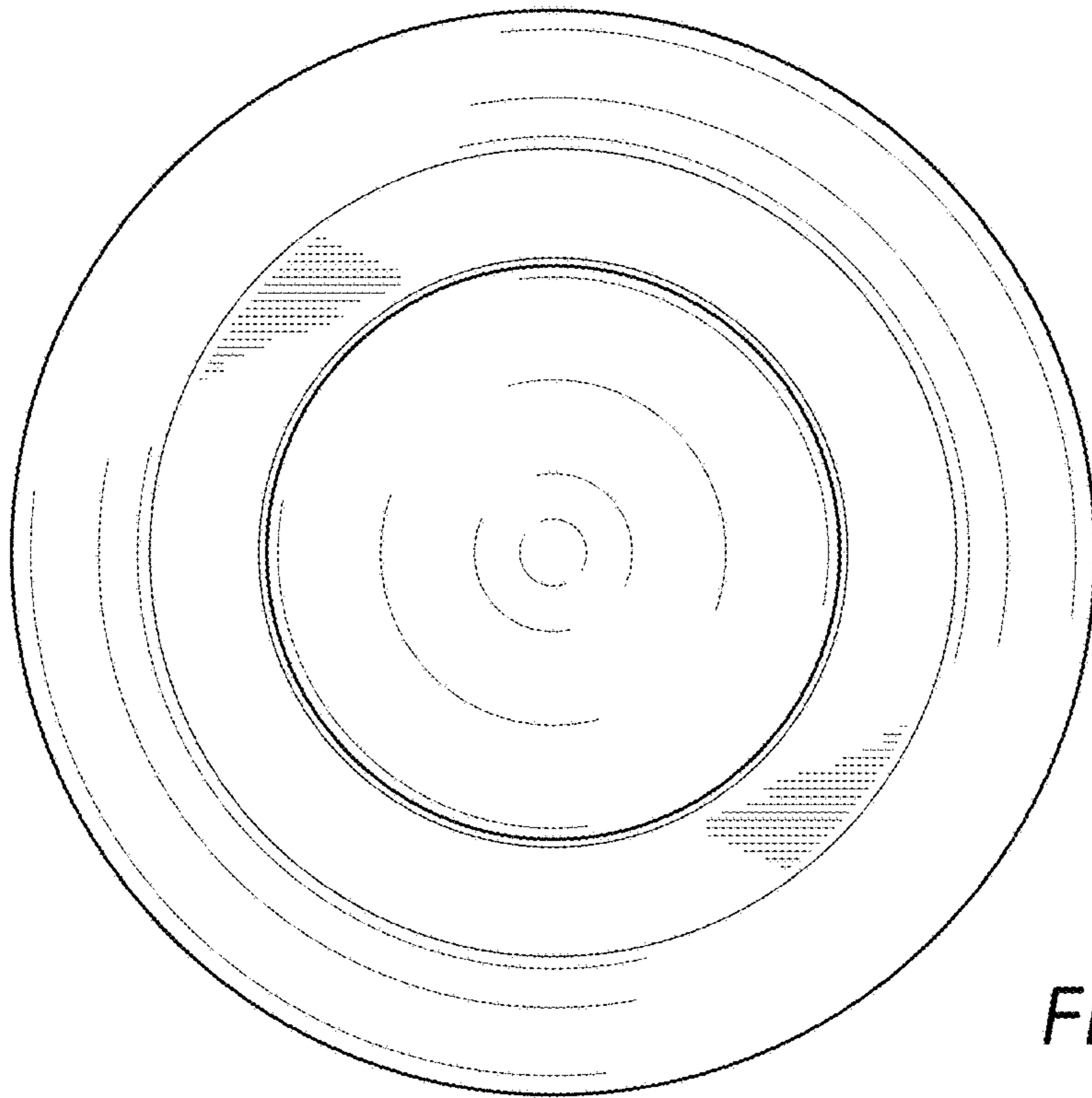


FIG. 4

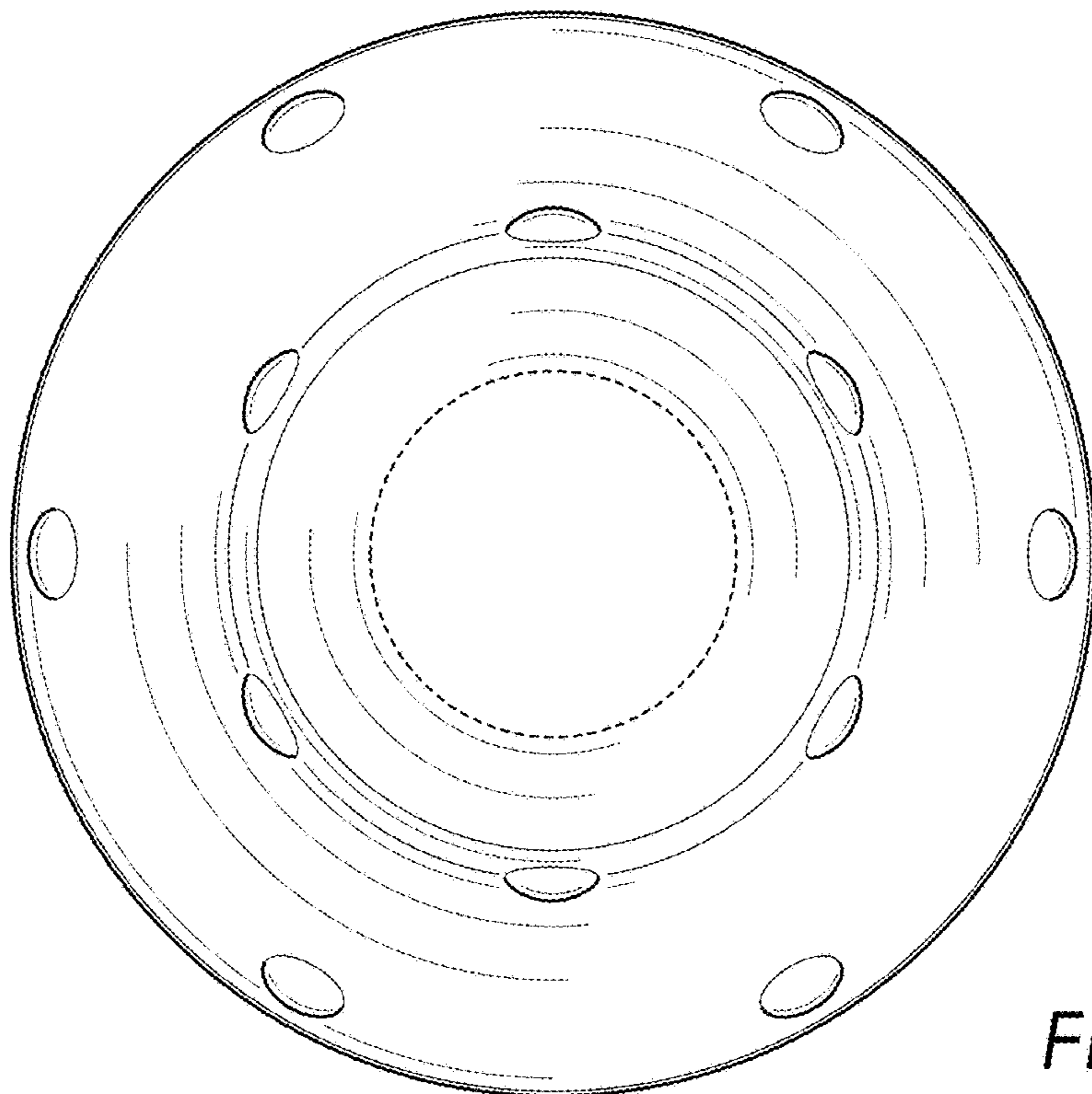


FIG. 5