



US00D839934S

(12) **United States Design Patent** (10) **Patent No.:** **US D839,934 S**
Young (45) **Date of Patent:** **** Feb. 5, 2019**

(54) **SWING HAMMER**
(71) Applicant: **Roger Young**, Rock Falls, IL (US)
(72) Inventor: **Roger Young**, Rock Falls, IL (US)
(**) Term: **15 Years**

1,829,325 A 10/1931 Alfred
1,854,844 A 4/1932 Kaemmerling
1,889,129 A 11/1932 Nielsen
1,911,718 A 5/1933 Saunders
1,927,986 A 9/1933 Levy
1,947,784 A 2/1934 Armstrong
(Continued)

(21) Appl. No.: **29/628,676**
(22) Filed: **Dec. 6, 2017**
(51) **LOC (11) Cl.** **15-09**
(52) **U.S. Cl.**
USPC **D15/123**
(58) **Field of Classification Search**
USPC D15/123, 124, 125, 126, 131
CPC B02C 13/00; B02C 13/04; B02C 13/28
See application file for complete search history.

FOREIGN PATENT DOCUMENTS

CA 2613956 A1 2/2009
CA 2720159 A1 5/2011
(Continued)

(56) **References Cited**

U.S. PATENT DOCUMENTS

758,288 A 4/1904 Williams
858,772 A 7/1907 Williams
906,364 A 12/1908 Backus
1,016,979 A 2/1912 Williams
1,041,495 A 10/1912 Liggett et al.
1,085,692 A 2/1914 Liggett
1,266,894 A 5/1918 Williams
RE14,865 E 5/1920 Plaisted
RE14,920 E 7/1920 Morse et al.
1,433,042 A 10/1922 Sedberry
1,444,990 A 2/1923 Wauthier
1,630,021 A 5/1927 Lucas
1,678,723 A * 7/1928 Clement B02C 13/28
241/197

1,693,058 A 11/1928 Shelton
1,759,905 A 5/1930 Keith
1,760,097 A 5/1930 Williams
1,761,038 A 6/1930 Harley
1,787,526 A 1/1931 Honstain
1,821,912 A 9/1931 Pfeiffer
1,827,986 A 10/1931 Iglehart

OTHER PUBLICATIONS

“Jacobs Pentagon Xtreme Hammer System”, <https://www.jacobscorp.com/t-pentagon.aspx>, accessed by Applicant in 2018.
(Continued)

Primary Examiner — Patricia A Palasik
(74) *Attorney, Agent, or Firm* — McKee, Voorhees & Sease, PLC

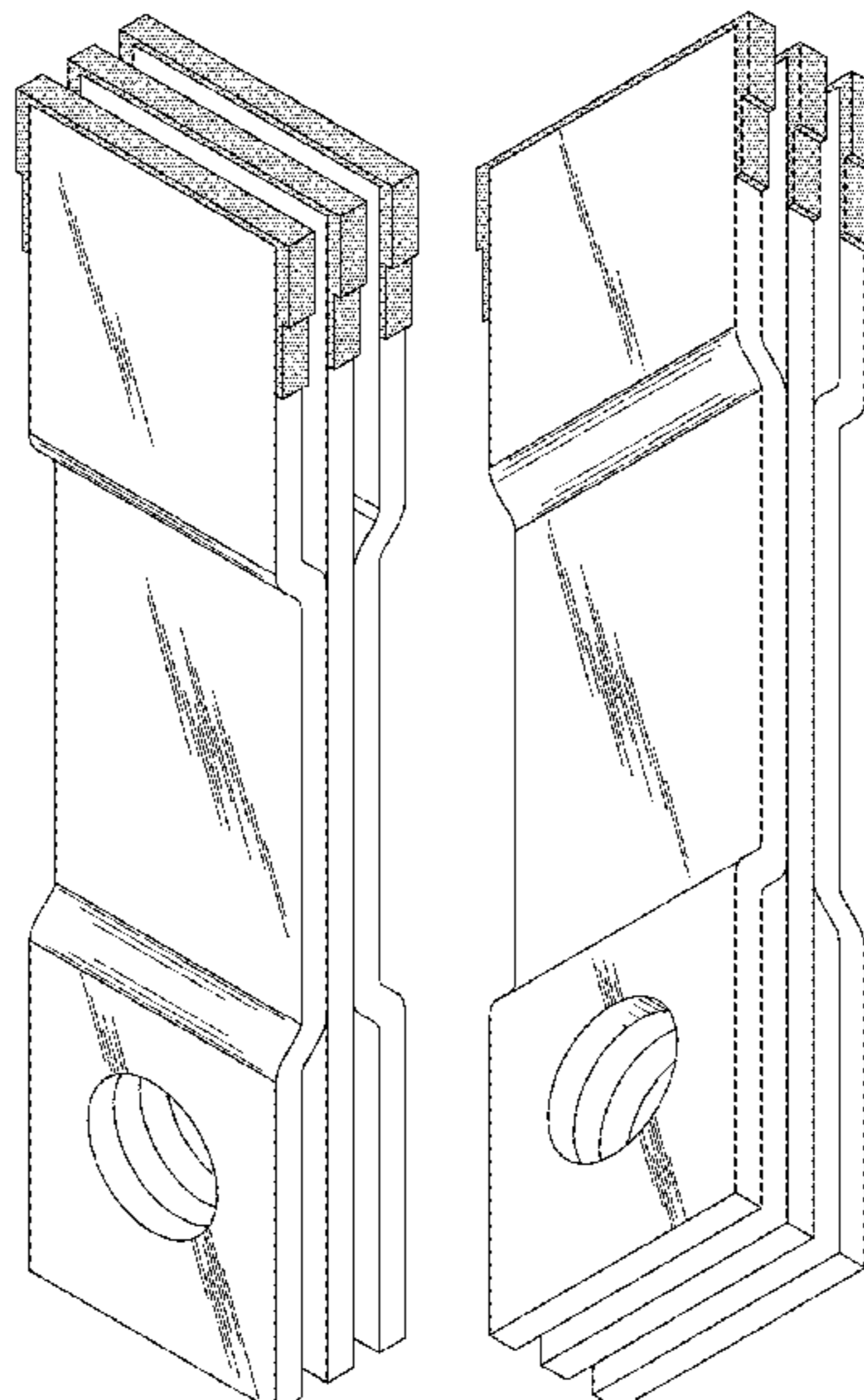
(57) **CLAIM**

The ornamental design for swing hammer, as shown and described.

DESCRIPTION

FIG. 1 is a front perspective view of a swing hammer; FIG. 2 is a rear perspective view thereof; FIG. 3 is a front elevation view thereof, the rear elevation view being a mirror image thereof; FIG. 4 is a left side elevation view thereof, the right side elevation view being a mirror image thereof; FIG. 5 is a top elevation view thereof; and, FIG. 6 is a bottom elevation view thereof. Structure shown in broken lines in FIGS. 1-6 form no part of the claimed design.

1 Claim, 4 Drawing Sheets



(56)

References Cited

U.S. PATENT DOCUMENTS

1,954,175 A	4/1934	Jensen	5,570,849 A	11/1996	Anderson
1,997,553 A	4/1935	Taylor, Jr. et al.	5,605,291 A	2/1997	Doskocil
2,015,581 A	9/1935	Armour	5,611,496 A	3/1997	Fleenor
2,031,683 A *	2/1936	Armstrong	5,628,467 A	5/1997	Graveman
		B02C 13/31	5,692,688 A	12/1997	Waitman et al.
		241/82	5,722,607 A	3/1998	Hellmich
2,207,455 A	7/1940	Clement	5,842,653 A	12/1998	Elliott et al.
2,237,510 A	4/1941	Tankersley	5,904,306 A	5/1999	Elliott et al.
2,244,577 A	6/1941	Schreiber	5,984,216 A	11/1999	Andela et al.
2,404,775 A	7/1946	Ehmann	6,042,035 A *	3/2000	Grobler
2,404,778 A	7/1946	Allison			B02C 13/28
2,460,279 A	2/1949	Ehmann			241/191
2,531,597 A	11/1950	Anderson	6,045,072 A	4/2000	Zehr
2,566,758 A	9/1951	Anderson	6,066,407 A *	5/2000	Getz
2,566,798 A	9/1951	Hiller			B02C 13/28
2,602,597 A	7/1952	Ball			164/98
2,607,538 A	8/1952	Larson	6,131,838 A	10/2000	Balvanz et al.
2,620,989 A *	12/1952	Keiper	6,142,400 A	11/2000	Balvanz et al.
		B02C 13/28	6,260,778 B1	7/2001	Wenger
		241/197	6,299,082 B1	10/2001	Smith
2,763,439 A	9/1956	Mankoff	6,364,227 B1	4/2002	Dorscht
2,927,739 A *	3/1960	Sennholtz	6,394,375 B1	5/2002	Balvanz et al.
		B02C 13/28	6,394,378 B1	5/2002	Ragnarsson
		241/197	6,419,173 B2	7/2002	Balvanz et al.
2,969,820 A *	1/1961	Gruendler	6,464,157 B1	10/2002	Balvanz et al.
		A01F 29/095	6,481,654 B1	11/2002	Balvanz et al.
		241/195	6,494,394 B1	12/2002	Balvanz et al.
3,022,018 A	2/1962	Knight	6,517,020 B1	2/2003	Smith
3,045,934 A	7/1962	Eilers	6,520,440 B2	2/2003	Ragnarsson
3,058,676 A	10/1962	Hermann	6,622,951 B1	9/2003	Recker et al.
3,222,854 A	12/1965	Barth	6,971,598 B2	12/2005	Schillinger et al.
3,278,126 A	10/1966	Ratkowski	7,140,569 B2	11/2006	Young
3,322,356 A	5/1967	Toews	D536,350 S	2/2007	Young
3,379,383 A	4/1968	Stepanek	D536,351 S	2/2007	Young
3,471,093 A	10/1969	Wienert	D536,352 S	2/2007	Young
3,482,789 A	12/1969	Newell	D544,503 S	6/2007	Young
3,549,095 A	12/1970	Ratkowski	D544,504 S	6/2007	Young
3,598,008 A	8/1971	Jacobson et al.	D545,327 S	6/2007	Young
3,627,212 A	12/1971	Stanton	D545,328 S	6/2007	Young
3,682,401 A	8/1972	Jacobson et al.	D545,846 S	7/2007	Young
3,738,586 A	6/1973	Fabert, Jr.	D545,847 S	7/2007	Young
3,966,126 A	6/1976	Werner	D550,728 S	9/2007	Young
3,966,128 A	6/1976	Anderson et al.	D551,266 S	9/2007	Young
3,979,078 A	9/1976	Böddeker et al.	D551,267 S	9/2007	Young
3,995,816 A	12/1976	Motek	D552,638 S	10/2007	Willibald
3,997,121 A	12/1976	Motek	D552,639 S	10/2007	Young
4,000,859 A	1/1977	Whitney	D555,679 S	11/2007	Young
4,106,706 A	8/1978	Burrows	7,325,761 B2	2/2008	Chen et al.
4,129,262 A	12/1978	Lowry	D573,163 S	7/2008	Young
4,134,554 A	1/1979	Morlock	7,419,109 B1	9/2008	Ronfeldt et al.
4,141,512 A	2/1979	Francis	D588,174 S	3/2009	Young
4,142,687 A	3/1979	Potwin	7,559,497 B2	7/2009	Young
4,162,767 A	7/1979	Hahn	7,621,477 B2	11/2009	Young
4,166,583 A	9/1979	Ruckstuhl	D616,002 S	5/2010	Willibald
4,177,956 A	12/1979	Fawcett	7,819,352 B2	10/2010	Young
4,202,504 A	5/1980	Cameron	D637,633 S	5/2011	Young et al.
4,310,125 A	1/1982	Novotny	8,033,490 B1	10/2011	Young et al.
4,313,575 A	2/1982	Stepanek	8,613,403 B1	12/2013	Young
4,341,353 A	7/1982	Hamilton et al.	8,708,263 B2	4/2014	Young et al.
4,343,438 A	8/1982	Slikas et al.	8,800,903 B1	8/2014	Young
4,352,774 A	10/1982	Hornberger	8,960,581 B1	2/2015	Young
4,406,415 A	9/1983	Greer	8,998,120 B1	4/2015	Young
4,519,551 A	5/1985	Ceurvorst	9,358,546 B1	6/2016	Young
4,558,826 A	12/1985	Martinek	9,566,584 B2	2/2017	Young et al.
4,729,516 A	3/1988	Williams, Jr.	2002/0190148 A1	12/2002	Roozeboom et al.
4,795,103 A	1/1989	Lech	2004/0017955 A1	1/2004	Schillinger et al.
4,856,170 A	8/1989	Kachik	2005/0000329 A1 *	1/2005	Pregeant
4,907,750 A	3/1990	Seifert			B25B 13/04
4,915,310 A	4/1990	Stelk			81/466
5,002,233 A	3/1991	Williams	2006/0032958 A1	2/2006	Young
5,072,888 A	12/1991	Stelk	2007/0023554 A1	2/2007	Young
5,169,077 A	12/1992	Stelk	2008/0011890 A1 *	1/2008	Young
5,207,391 A	5/1993	Anderson			B02C 13/28
5,320,292 A	6/1994	Smith			241/195
5,364,038 A	11/1994	Prew	2009/0321546 A1	12/2009	Plumb et al.
5,377,919 A	1/1995	Rogers et al.	2010/0025511 A1	2/2010	Young
5,381,975 A	1/1995	Chon et al.	2010/0090047 A1	4/2010	Willibald
5,443,216 A	8/1995	Lajoie	2010/0213301 A1	8/2010	Hoice et al.
5,465,912 A	11/1995	Graybill et al.	2011/0042498 A1	2/2011	Young et al.
			2015/0115085 A1 *	4/2015	Miller
					B02C 13/04
					241/194

(56)

References Cited

U.S. PATENT DOCUMENTS

2016/0243554 A1 8/2016 Young
2017/0095821 A1* 4/2017 Lyman B02C 13/04

FOREIGN PATENT DOCUMENTS

DE 10215833 A1 11/2003
EP 1444990 A1 8/2004

OTHER PUBLICATIONS

“Hammer Mill Hammers”, <https://g3hammers.com/hammer-mill-parts/hammer-mill-hammers/#forged>, Genesis III, Inc. Dec. 7, 2017.
“Rightway Manufacturing”, <http://www.rwmfginc.com/products.aspx?gs=1>, pp. 1-3. Oct. 19, 2017.

* cited by examiner

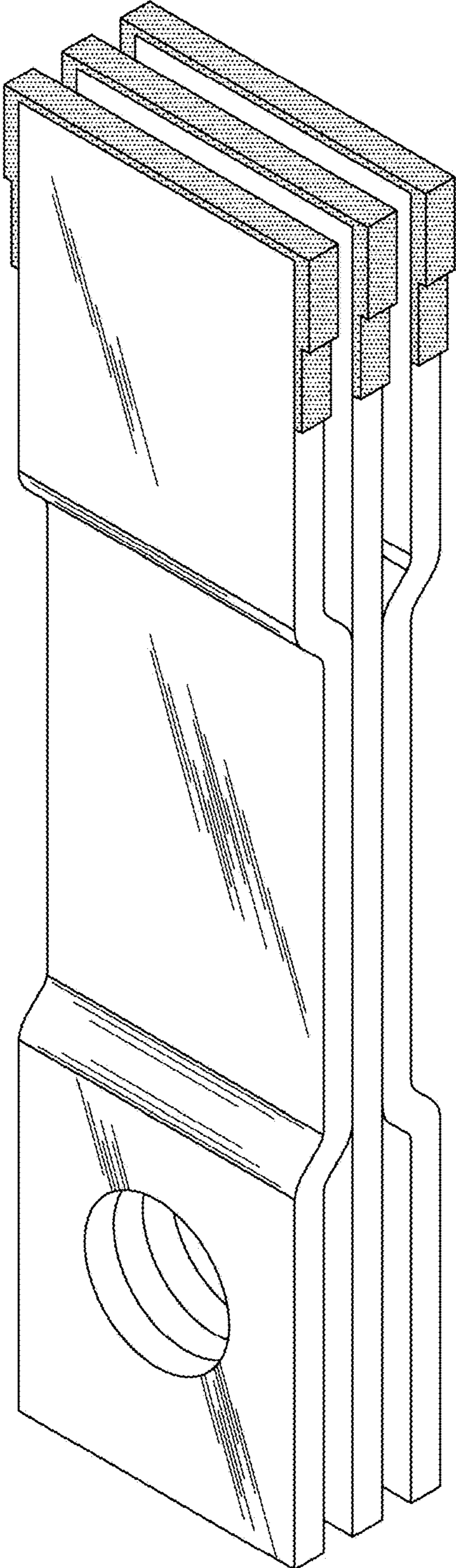


Fig. 1

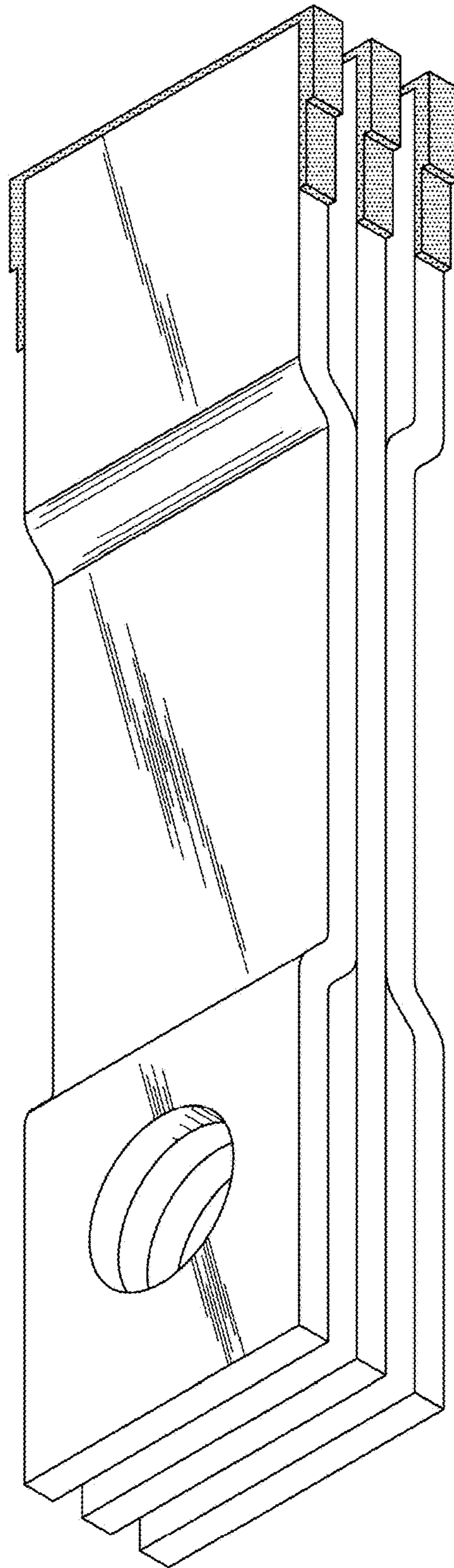


Fig. 2

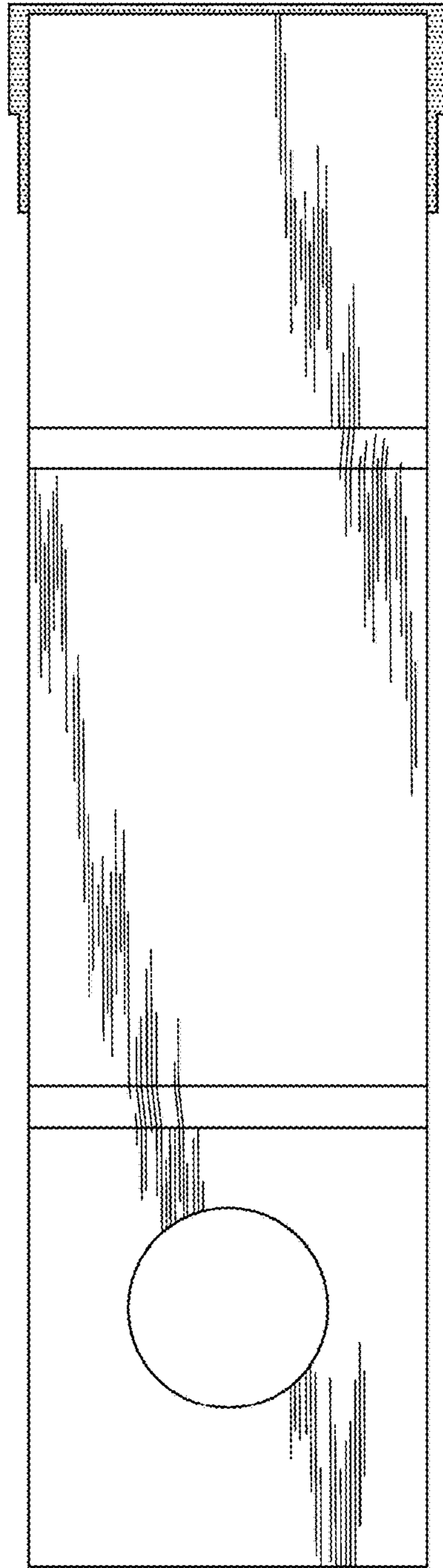


Fig. 3

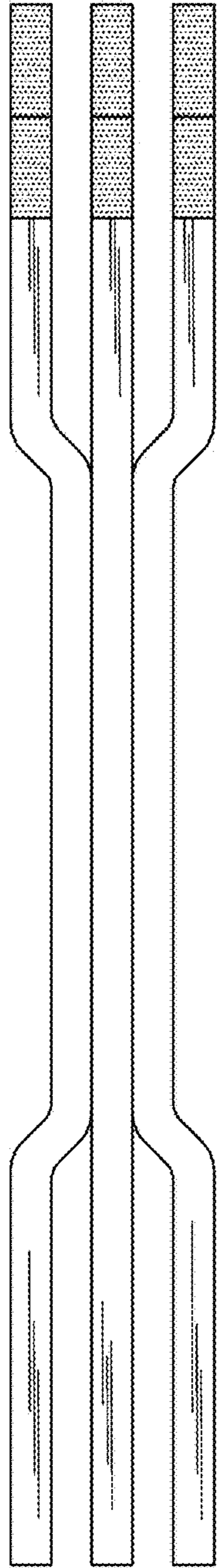


Fig. 4

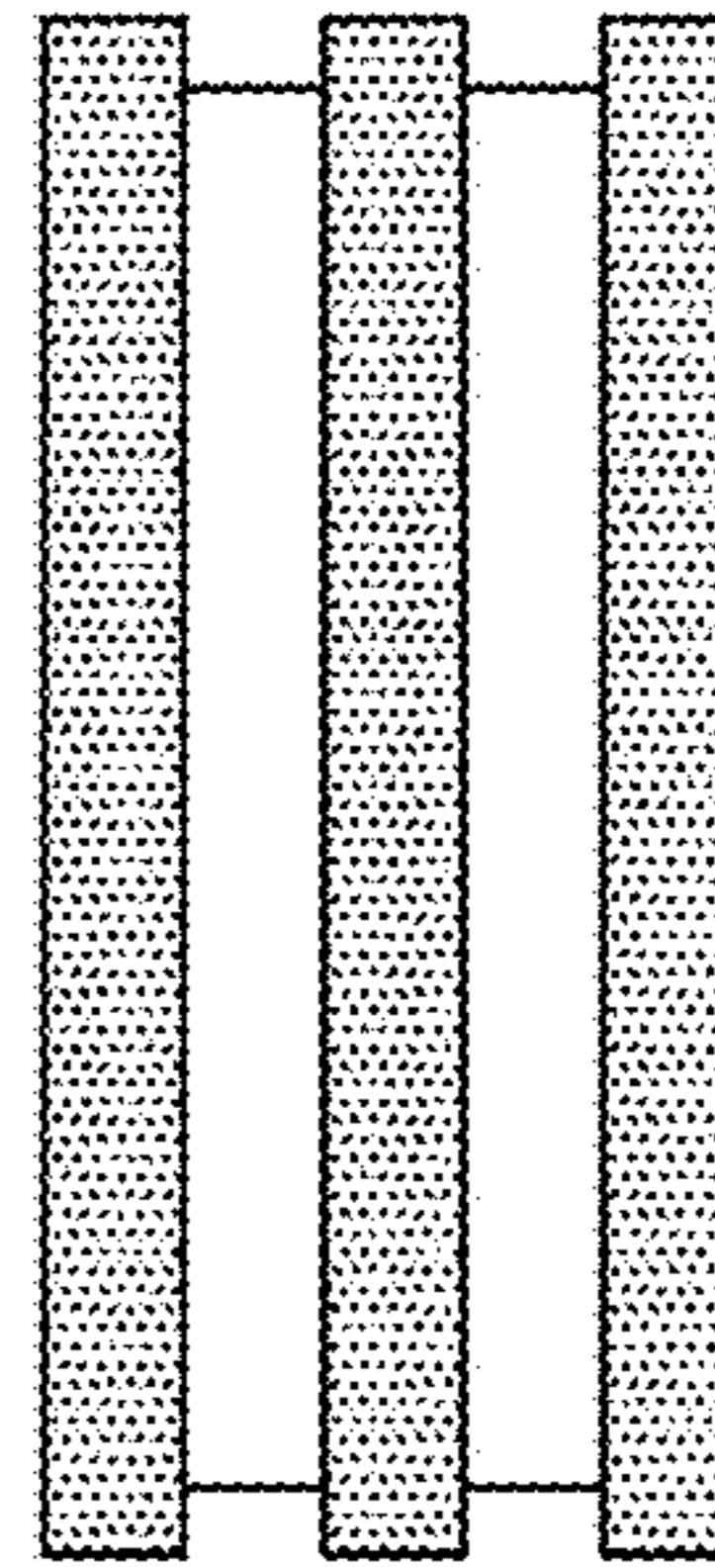


Fig. 5

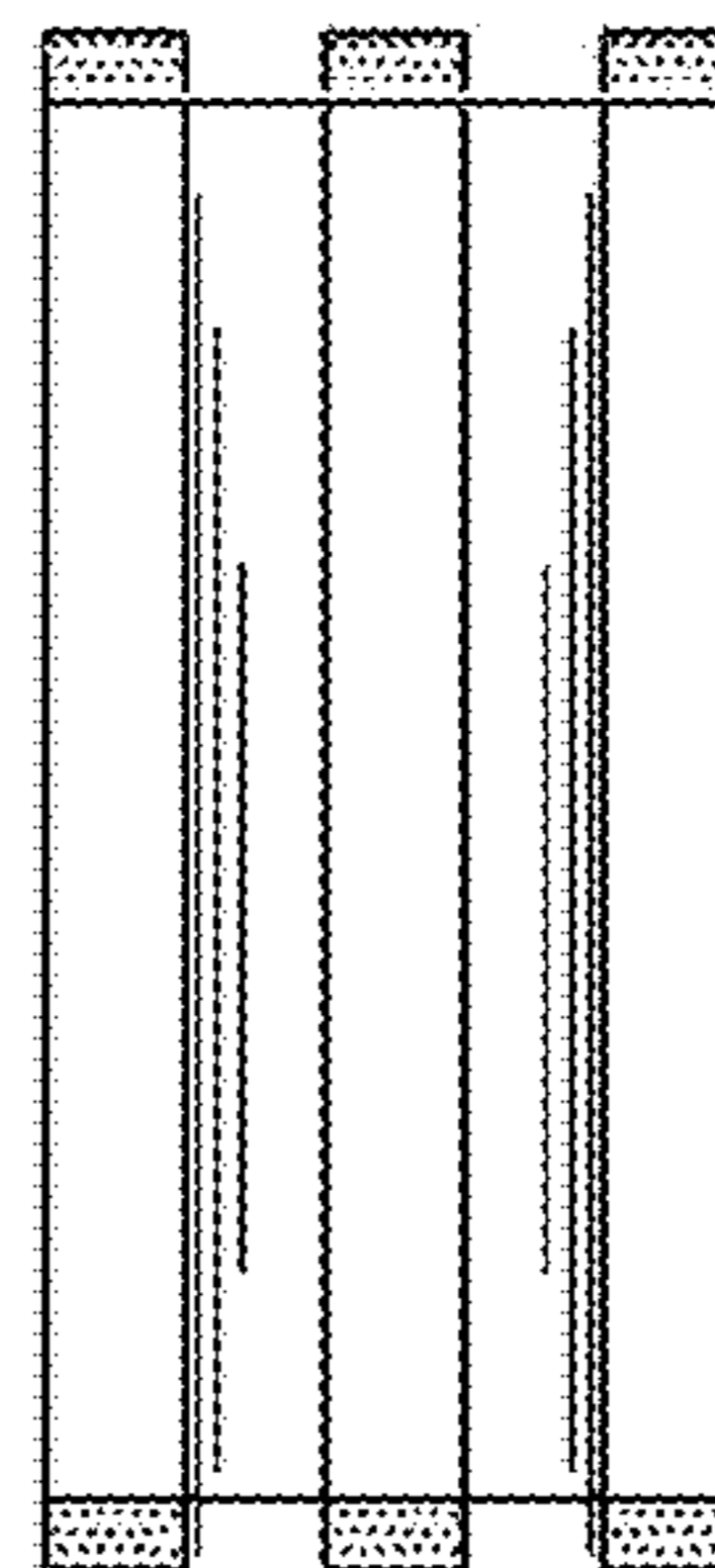


Fig. 6